

FIRST/Planck

INSTRUMENT INTERFACE DOCUMENT

PART B

INSTRUMENT "SPIRE"

Name		Signature
Prepared/ Compiled by:	ESA FIRST/Planck Project team	
Agreed by:	Th. Passvogel Payload Manager ESA/ESTEC/SCI /PT	
Approved by:	M. Griffin Principal Investigator QMWC. London.	
Approved by:	F. Vandenbussche Project Manager (acting) ESA/ESTEC/SCI /PT	

TABLE OF CONTENTS

1	INTRODUCTION
2	APPLICABLE/REFERENCE DOCUMENTS
2.1	APPLICABLE DOCUMENTS
2.2	REFERENCE DOCUMENTS
2.3	LIST OF ACRONYMS
3	KEY PERSONNEL AND RESPONSIBILITIES
3.1	KEY PERSONNEL
3.1.1	Principal Investigator
3.1.2	Co-Principal Investigator
3.1.3	Instrument Manager
3.2	RESPONSIBILITIES
4	INSTRUMENT DESCRIPTION
4.1	INTRODUCTION
4.2	SCIENTIFIC RATIONALE
4.3	INSTRUMENT OVERVIEW
4.4	HARDWARE DESCRIPTION
4.5	SOFTWARE DESCRIPTION
4.6	OPERATING MODES
4.6.1	OFF Mode
4.6.2	Initialise (INIT) Mode
4.6.3	ON Mode
4.6.4	Ready (REDY) Mode
4.6.5	Standby (STBY) Mode
4.6.6	Observe (OBSV) Mode
4.6.7	Cooler Recycle (CREC) Mode
4.6.8	SAFE Mode
4.7	OBSERVING MODES
4.7.1	Photometer Observing Modes
4.7.2	Spectrometer Observing Modes
4.7.3	Other Modes
4.7.4	Real Time Commanding
4.7.5	Commissioning/calibration Mode
4.7.6	FPU operations at ambient temperature
4.7.7	FPU Orientation
4.8	INSTRUMENT REQUIREMENTS AND PERFORMANCE SPECIFICATION
4.8.1	Scientific Requirements
4.8.2	Instrument Specification
4.8.3	Instrument Performance Estimation
5	INTERFACE WITH SATELLITE
5.1	IDENTIFICATION AND LABELLING
5.2	COORDINATE SYSTEM
5.3	LOCATION AND ALIGNMENT

-
- 5.3.1 Instrument Location
 - 5.3.2 Instrument Alignment
 - 5.4 EXTERNAL CONFIGURATION DRAWINGS
 - 5.4.1 FSFPU
 - 5.4.2 FSFTB
 - 5.4.3 FSDRC
 - 5.4.5 FSDPU
 - 5.4.6 FSWIH
 - 5.5 SIZES AND MASS PROPERTIES
 - 5.6 MECHANICAL INTERFACES
 - 5.6.1 Inside cryostat
 - 5.6.2 Outside cryostat
 - 5.6.3 On SVM
 - 5.6.4 On Planck Payload Module
 - 5.6.5 Cooler valves and piping
 - 5.7 THERMAL INTERFACES
 - 5.7.1 Inside cryostat
 - 5.7.2 Outside cryostat
 - 5.7.3 On SVM
 - 5.7.4 On Planck Payload Module
 - 5.7.5 Temperature channels
 - 5.8 OPTICAL INTERFACES
 - 5.8.1 Straylight
 - 5.9 POWER
 - 5.9.1 Inside cryostat
 - 5.9.2 Outside cryostat
 - 5.9.3 On SVM
 - 5.9.4 On Planck Payload Module
 - 5.9.5 Instrument Operating Modes
 - 5.9.6 Supply voltages
 - 5.10 CONNECTORS, HARNESS, GROUNDING, BONDING
 - 5.10.1 Connectors
 - 5.10.2 Harness
 - 5.10.3 Grounding
 - 5.10.4 Bonding
 - 5.11 DATA HANDLING
 - 5.11.1 Telemetry
 - 5.11.2 S/C housekeeping
 - 5.11.3 Timing and synchronisation signals
 - 5.11.4 Telecommand
 - 5.11.5 Interface circuits
 - 5.12 ATTITUDE AND ORBIT CONTROL/POINTING
 - 5.12.1 Attitude and orbit control
 - 5.12.2 Pointing
 - 5.12.3 On-Target Flag (OTF)
 - 5.13 ON-BOARD HARDWARE/SOFTWARE AND AUTONOMY FUNCTIONS
 - 5.13.1 On-board hardware
 - 5.13.2 On-board software
 - 5.13.3 Autonomy functions

-
- 5.13.4 Instrument Autonomy Housekeeping Packet Definition
 - 5.13.5 Instrument Event Packet Definition
 - 5.14 EMC
 - 5.14.1 Conducted Emission/Susceptibility
 - 5.14.2 Radiated Emission/Susceptibility
 - 5.14.3 Frequency Plan
 - 5.15 TRANSPORT AND HANDLING PROVISIONS
 - 5.15.1 Focal Plane Unit
 - 5.15.2 JFET/Filter Box
 - 5.15.3 Electronics Units
 - 5.16 DELIVERABLE ITEMS
 - 5.16.1 Instrument Models
 - 5.16.2 Electrical Ground Support Equipment (EGSE)
 - 5.16.3 Mechanical Ground Support Equipment (MGSE)
 - 5.16.4 Optical Ground Support Equipment (OGSE)
 - 5.16.5 System Test Software
 - 5.16.6 Hardware for the Observatory Ground Segment
 - 5.16.7 Software for the Observatory Ground Segment
 - 5.16.8 Instrument Software Simulator
 - 5.16.9 Test Reference Data
 - 5.16.10 Instrument Characterisation Data
 - 5.16.11 Technical Documentation
 - 6 GROUND SUPPORT EQUIPMENT
 - 6.1 MECHANICAL GROUND SUPPORT EQUIPMENT
 - 6.2 ELECTRICAL GROUND SUPPORT EQUIPMENT
 - 6.3 COMMONALITY
 - 6.3.1 EGSE
 - 6.3.2 Instrument Control and Data Handling
 - 6.3.3 Other Areas
 - 7 INTEGRATION, TESTING AND OPERATIONS
 - 7.1 INTEGRATION
 - 7.1.1 FPLM Integration
 - 7.1.2 PPLM Integration
 - 7.1.3 SVM Integration
 - 7.1.4 FIRST/Planck Integration
 - 7.2 TESTING
 - 7.2.1 CQM Testing
 - 7.2.2 PFM Testing
 - 7.3 OPERATIONS
 - 7.4 COMMONALITY
 - 8 PRODUCT ASSURANCE
 - 9 DEVELOPMENT AND VERIFICATION
 - 9.1 GENERAL
 - 9.2 MODEL PHILOSOPHY

- 9.3 MECHANICAL VERIFICATION**
- 9.4 THERMAL VERIFICATION**
- 9.5 VERIFICATION OF SCIENTIFIC PERFORMANCE**
- 9.6 ELECTRICAL TESTING**
- 9.7 EMC TESTING**

- 10 MANAGEMENT, PROGRAMME, SCHEDULE**

1 INTRODUCTION

The purpose of the Instrument Interface Documents (IIDs) is to define and control the overall interface between each of the FIRST/Planck scientific instruments and the FIRST/Planck spacecraft.

The IIDs consist of two parts, IID-A and IID-B. There is one part A, covering the interfaces to all FIRST and Planck instruments, and one IID-B per instrument:

- The IID-A describes the implementation of the instrument requirements in the design of the spacecraft and will be a result of the spacecraft design activities performed by the Contractor.
- Each IID-B defines in its 'interface' section (chapter 5) the requirements of the instrument the resources to be provided by the spacecraft. In its 'performance' section (last section of chapter 4) it defines the scientific performance requirements of the instrument as part of the scientific mission requirements and as agreed between the Principal Investigators and ESA.

After issue by ESA, the Contractor will be responsible for maintenance and configuration control of the IIDs in agreement with, and after approval by, the Instruments Principal Investigators and ESA.

In case of conflict between the contents of the IID-A and the IID-Bs, the agreement or definition in the IID-B shall take precedence.

The IIDs will not cover any of the interfaces of the Instrument Control Centres (ICCs for FIRST), the Data Processing Centres (DPCs for Planck) or the FIRST Science Centre (FSC).

2 APPLICABLE/REFERENCE DOCUMENTS

2.1 APPLICABLE DOCUMENTS

- AD 1 FIRST/Planck Instrument Interface Document Part A. (Ref.SCI-PT-IIDA-04624)
- AD 2 OIRD FIRST/Planck Operations Interface Requirements Document
- AD 3 FIRST-SIRD FIRST Science-operations Implementation Requirements Document
- AD4 SPIRE Management Plan (FIRST-SPI-PRG-000011)
- AD5 Product Assurance Requirements for the FIRST/Planck Scientific Instruments (SCI-PT-RQ-04410)

2.2 REFERENCE DOCUMENTS

- RD 1 Caldwell, M., Richards, A., Swinyard, B., Straylight Analysis - PHOT, BOL/RAL/N/0021
- RD 2 Rutherford Appleton Laboratory, SPIRE Product Assurance Plan SPIRE-RAL-PRG-00017
- RD 3 Swinyard. B , Power profiles for SPIRE operating modes, SPIRE/RAL/N/0046
- RD 4 SPIRE AIV Plan, SPIRE-RAL-Doc-000410

2.3 LIST OF ACRONYMS

AD	Applicable Document
AO	Announcement of Opportunity
AVM	Avionics Verification Model
BSM	Beam Steering Mechanism
CCE	Central Check-Out Equipment
CDMS	Command and Data Management Subsystem
CQM	Cryogenic Qualification Model
CVV	Cryostat Vacuum Vessel
DPU	Digital Processing Unit
DRC	Detector Readout and Control Unit
DRCU	Detector Readout and Control Unit
EGSE	Electrical Ground Support Equipment
EMC	Electro-Magnetic Compatibility
ESA	European Space Agency
FINDAS	FIRST Integrated Network and Data Archive System
FIRST	Far InfraRed and Submillimetre Telescope

FM	Flight Model
FOV	Field Of View
FSC	FIRST Science Centre
FTS	Fourier Transform Spectrometer
GSE	Ground Support Equipment
HIFI	Heterodyne Instrument for FIRST
IA	Interactive Analysis
ICC	Instrument Control Centre
ICD	Interface Control Document
IID	Instrument Interface Document
ISO	Infrared Space Observatory
JFET	Junction Field Effect Transistor
KAL	Keep Alive Line
LOU	Local Oscillator Unit (HIFI)
MGSE	Mechanical Ground Support Equipment
MOC	Mission Operations Centre
NEP	Noise Equivalent Power
OBS	On Board Software
OGSE	Optical Ground Support Equipment
OIRD	Operations Interface Requirements Document
OTF	On-Target Flag
PACS	Photoconductor Array Camera and Spectrometer (FIRST)
PFM	Proto Flight Model
QLA	Quick Look Analysis (software)
RAM	Random Access Memory
RD	Reference Document
RF	Radio Frequency
ROM	Read Only Memory
RTA	Real Time Assessment (software)
S/C	Spacecraft
SCOS	Spacecraft Control and Operations System
SIRD	Science –Operations Implementation Requirements Document
SPIRE	Spectral Photometer Imaging receiver
SPU	Signal Processing Unit
SRD	Software Requirements Document
SVM	Service Module
TBC	To be confirmed
TBD	To be determined
TBW	To be written

3 KEY PERSONNEL AND RESPONSIBILITIES

3.1 KEY PERSONNEL

3.1.1 Principal Investigator

Dr. Matt Griffin
Physics Department
Queen Mary and Westfield College
London E1 4NS
England

Telephone (Institute) : +44-(0)20-7882-5068
Telephone (Home) : +44-(0)20-8502-2653
Telefax : +44-(0)20-8980-0986
E-mail : m.j.griffin@qmw.ac.uk

3.1.2 Co-Principal Investigator

Dr. Laurent Vigroux
CEA - Service d'Astrophysique
CEA Saclay, Bat. 709
Orme des Merisiers
91191 Gif sur Yvette
France

Telephone (Institute) : +33-1-69-08-3912
Telephone (Home) : TBD
Telefax : +33-1-69-08-6577
E-mail : lvigroux@cea.fr

3.1.3 Instrument Manager

Dr. Ken King
Rutherford Appleton Laboratory
Chilton, Didcot
Oxfordshire OX11 0QX
England

Telephone (Institute) : +44-1235-44-6558
Telephone (Home) : +44-1865-890-829
Telefax : +44-1235-44-6667
E-mail : k.j.king@rl.ac.uk

3.2 RESPONSIBILITIES

INSTITUTE	RESPONSIBILITIES
ATC, Edinburgh	Beam steering mechanism
CEA, Grenoble	³ He cooler
CEA, SAp, Paris	Detector Readout and Control Unit (DRCU); ICC DAPSAS Centre; Ionising radiation effects testing
DESPA, Paris	FTS expertise and design support
GSFC, Maryland	FTS Expertise and design support; Internal calibrators
IAS, Paris	Ground Calibration support
ICSTM, London	ICC UK DAPSAS Centre
IFSI, Rome	Digital Processing Unit (DPU) and related On-board S/W
JPL/Caltech, California	Bolometer arrays and associated cold readout electronics
LAM, Marseille	Optics; FTS mechanism
MSSL, Surrey	Focal Plane Unit Structure
QMW, London	Focal plane array testing; filters, dichroics, beam dividers
RAL, Oxfordshire	Project management and Project Office; AIV and ground calibration facilities; ICC Operations Centre
Stockholm Observatory	Instrument simulator; DRCU Simulator
University of Padua	Provision of ICC Operations Staff
University of Saskatchewan	Shutter

INSTITUTE	LOCAL MANAGER	TELEPHONE / FAX EMAIL	ADDRESS
ATC	Ian Pain	Tel.+44-131-668-8100 Fax:+44-131-668-1130 E-mail: i.pain@roe.ac.uk	Royal Observatory Blackford Hill, Edinburgh EH9 3HJ, Scotland
DESPA	Guy Michel	Tel. +33-45-07-7697 Fax: +33-1-45-07-2806 E-mail: guy.michel@obspm.fr	Observatoire de Paris- Meudon 5 place Jules Janssen 92195 Meudon Cedex, Paris, France
CEA, Grenoble	Lionel Duband	Tel.+33-4-76-88-4134 Fax:+33-4-76-88-5186 E-mail: Duband@drfmc.ceng.cea.fr	CEA- Grenoble Service des Basses Temperatures 17 av. des Martyrs 38054 Grenoble Cedex, France
CEA, SAp	Jean-Louis Augueres	Tel.: +33-1-6908-3058 Fax: +33-1-69-08-6577 E-mail:augueres@cea.fr	CEA - Service d'Astrophysique CEA Saclay, Bât. 709 Orme des Merisiers 91191 Gif sur Yvette, France
GSFC	Don Jennings		Goddard Space Flight Center Mailstop 685.0 Greenbelt, MD 20771 USA
IAS	Francois Pajot	Tel.+33-1-69-85-8667 Fax:+33-1-69-85-8675 E-mail: pajot@ias.fr	Institut d'Astrophysique Spatiale Bât. 121, Université Paris Sud 91405 Orsay, Paris, France
ICSTM	Tim Sumner	Tel.+44-171-594-7552 Fax:+44-171-594-3465 E-mail: t.sumner@ic.ac.uk	Blackett Laboratory Imperial College, Prince Consort Rd. London SW7 2BZ, England
IFSI	Riccardo Cerulli	Tel.+39-6-4993-4377 Fax:+39-6-4993-4383 E-mail: Cerulli@ifsi.rm.cnr.it	Inst. di Fisica dello Spazio Interplanetario, CNR Area di Ricerca Tor Vegata via Fosso del Cavaliere 00133-Roma, Italy
JPL/Caltech	Gerald Lilienthal	Tel. + 1 818 354 9082 Fax: E-mail: gerald.lilienthal@jpl.nasa.gov	Jet Propulsion Laboratory Pasadena, CA 91109, USA

INSTITUTE	LOCAL MANAGER	TELEPHONE / FAX EMAIL	ADDRESS
LAM	Dominique Pouliquen	Tel.+33-4-91-05-5902 Fax:+33-4-91-66-1855 E-mail: domini@astrsp-mrs.fr	Laboratoire d'Astrophysique de Marseille BP 8, 13376 Marseille Cedex 12 France
MSSL	Berend Winter	Tel. +44-1483-204-119 Fax: +44-1483-278-312 E-mail: bw@mssl.ucl.ac.uk	Mullard Space Science Laboratory Holmbury St. Mary, Dorking, Surrey RH5 6NT, England
QMW	Peter Hargrave	Tel.+44-171-975-3760 Fax:+44-181-980-0986 E-mail: p.hargrave@qmw.ac.uk	Physics Department Queen Mary and Westfield College London E1 4NS, England
RAL	Ken King	Tel.+44-1235-44-6558 Fax:+44-1235-44-6667 E-mail: k.j.king@rl.ac.uk	Rutherford Appleton Laboratory Chilton, Didcot Oxfordshire OX11 0QX, England
Stockholm Obs.	H G Floren	Tel.+46-8-16-TBD Fax:+46-8-717-4719 E-mail: floren@astro.su.se	Stockholm Observatory S-133 36 Saltsjöbaden Sweden
University of Padua	Paolo Andreani	Tel.+39-49-829-TBD Fax:+39-49-875-9840 E-mail: andreani@astrpd.pd.astro.it	Dipartimento di Astronomia di Padova vicolo Osservatorio 5 I-35122 Padova, Italy

4 INSTRUMENT DESCRIPTION

4.1 INTRODUCTION

For low background direct detection at wavelengths longer than around 200 μm , the most sensitive detectors are cryogenic bolometers operating at temperatures in the 0.1 - 0.3 K range.

SPIRE (Spectral & Photometric Imaging REceiver) is a bolometer instrument comprising a three-band imaging photometer covering the 200-500 μm range and an imaging Fourier Transform Spectrometer (FTS) with a spectral resolution of at least 0.4 cm^{-1} (corresponding to $\lambda/\Delta\lambda = 100$ at 250 μm , covering wavelengths between 200 and 670 μm). The detectors are bolometer arrays cooled to 300 mK using a ^3He refrigerator. The photometer is optimised for deep photometric surveys, and can observe simultaneously the same field of view of 4 x 8 arcminutes in all three bands.

4.2 SCIENTIFIC RATIONALE

The wavelength range 200 - 700 μm is largely unexplored. The thermal emission from many astrophysical sources peaks in this part of the spectrum, including comets, planets, star-forming molecular cloud cores, and starburst galaxies. The short submillimetre region is also rich in atomic and molecular transitions which can be used to probe the chemistry and physical conditions in these sources.

Wavelengths between 200 and 350 μm are not observable from the ground and have not been observed by ISO. Between 350 μm and 700 μm , some low transparency submillimetre windows allow some observations to be made with difficulty from the ground, but with far lower sensitivity than can be achieved from space.

One of the most important scientific projects for the FIRST mission is to investigate the statistics and physics of galaxy formation at high redshift. This requires the ability to carry out deep photometric imaging at far-infrared and submillimetre wavelengths to discover objects, and the ability to follow up the survey observations with spectroscopy of selected sources. The FIRST SPIRE instrument is essential for this programme, and is being designed so as to be optimised for these extragalactic imaging and spectral surveys. Another key scientific project for SPIRE is a sensitive unbiased search for proto-stellar objects within our own galaxy. This will also be followed up by spectral observations using SPIRE, other FIRST instruments and ground-based facilities.

4.3 INSTRUMENT OVERVIEW

SPIRE contains a three-band imaging photometer and an imaging Fourier Transform Spectrometer (FTS), both of which use 0.3-K "spider-web" NTD germanium bolometers cooled by a ^3He refrigerator. The bolometers are coupled to the telescope by close-packed single-mode conical feedhorns. The photometer and spectrometer are not designed to operate simultaneously. The field of view of the photometer is 4 x 8 arcminute, the largest that can be achieved given the location of

the SPIRE field of view in the FIRST focal plane and the size of the telescope unvignetted field of view. Three photometer arrays provide broad-band photometry ($\lambda/\Delta\lambda \approx 3$) in wavelength bands centred on 250, 350 and 500 μm . The 250, 350 and 500 μm arrays have 149, 88, and 43 detectors respectively, making a total of 280. The field of view is observed simultaneously in all three bands through the use of fixed dichroic beam-splitters. Spatial modulation can be provided either by a Beam Steering Mirror (BSM) in the instrument or by drift scanning the telescope across the sky, depending on the type of observation. An internal thermal calibration source is available to provide a repeatable calibration signal for the detectors. The FTS uses novel broadband intensity beam dividers, and combines high efficiency with spatially separated input ports. One input port covers a 2.6-arcminute diameter field of view on the sky and the other is fed by an on-board calibration source which serves to null the thermal background from the telescope and to provide absolute calibration. Two bolometer arrays are located at the output ports, one covering 200-300 μm and the other 300-670 μm . The FTS will be operated in continuous scan mode, with the path difference between the two arms of the interferometer being changed by a constant-speed mirror drive mechanism. The spectral resolution, as determined by the maximum optical path difference, will be adjustable between 0.04 and 2 cm^{-1} (corresponding to $\lambda/\Delta\lambda = 1000 - 20$ at 250 μm wavelength).

The focal plane unit has three separate temperature stages at nominal temperatures of 4 K, 2 K (provided by the FIRST cryostat) and 300 mK (provided by SPIRE's internal cooler). The main 4-K structural element of the FPU is an optical bench panel which is supported from the cryostat optical bench by stainless steel blade mounts. The photometer and spectrometer are located on either side of this panel. The majority of the optics are at 4 K, but the detector arrays and final optics are contained within 2-K enclosures. The ^3He refrigerator cools all of the five detector arrays to 0.3 K. A JFET preamplifier module is attached to the optical bench close to the 4-K enclosure, with the JFETs heated internally to their optimum operating temperature of ~ 120 K.

The SPIRE warm electronics consist of a Detector Readout and Control Unit (DRCU) and a Digital Processing Unit (DPU). The DRCU provides bias and signal conditioning for the arrays and cold readout electronics, reads out the detector signals, and controls the FPU mechanisms and the ^3He cooler. The DPU acts as the interface to the spacecraft, including instrument commanding and formats science and housekeeping data for telemetry to the ground.

4.4 HARDWARE DESCRIPTION

The SPIRE instrument consists of:

- FSFPU Cold Focal Plane Unit (FPU):
This interfaces to the cryostat optical bench, and the 4-K and 2-K temperature stages provided by the cryostat. Within the unit, further cooling of the detector arrays to a temperature of around 300 mK is provided by a ^3He refrigerator which is part of the instrument.
- FSFTB JFET box
This box is mounted on the optical bench next to the FPU, and contains JFET preamplifiers for the detector signals. The JFETs operate at

FSDRC	around 120 K, and are thermally isolated inside the enclosure. Detector Read-out and Control Unit (on FIRST SVM) A warm analogue electronics box for detector read-out analogue signal processing, multiplexing, A/D conversion, array sequencing, mechanism control, temperature sensing and general housekeeping and ³ He refrigerator operation.
FSDPU	Digital Processing Unit (on FIRST SVM) A warm digital electronics box for signal processing and instrument commanding and interfacing to the spacecraft telemetry.
FSWIH	Warm interconnect harness (on FIRST SVM) Harness making connections between the electronics boxes.

4.5 SOFTWARE DESCRIPTION

The OBS will carry out the following functions:

- Read and log housekeeping data
- Control and monitor the instrument mechanisms and internal calibration sources
- Carry out pre-defined observing sequences
- Implement pre-defined procedures on detection of instrument anomalies

The on-board software (OBS) will be written in “C” (TBC) language and will be designed to allow the instrument to operate in an autonomous fashion for 48 hours as required in the IID-A. The basic implication of this requirement is that there must be the facility to store enough commands for a 48 observing programme and enough mass memory on the satellite to store 48 hours of instrument telemetry. More sophisticated autonomy functions may include the on-board analysis of scientific or housekeeping data and the ability to react on the basis of that analysis. The type of automatic operation undertaken following such an analysis may range from the raising of a warning flag to the switching over to a redundant sub-system or the switching off of a defective sub-system. All autonomy functions will require extensive evaluation and test before they are implemented to avoid the possibility of instrument failure. No instrument autonomy mode will be implemented that will affect the satellite operation.

Memory load commands will be used to send single instructions to the instrument or to command pre-defined sequences of operations. The command words will be interpreted by the OBS according to a given algorithm and the relevant sequence of digital commands sent to the subsystems. Each command will be formed with a variable number of words having the following general structure: (i) a header describing the command function; (ii) the number of words to follow; (iii) the new values of the parameters, if any. There will be at least four types of commands: macro commands, subsystem commands, peek-and-poke commands; and spare

commands. The macro commands define the timing and sequence of instrument operation. The subsystem commands allow the immediate control of each instrument subsystem. The peek-and-poke commands allow the down-link of RAM or ROM content as well as the ability up-link patches, new programmes or tables. There will also be the possibility to run new commands by up-linking the specific code in RAM recalled by the spare command.

A detailed description of the on-board software will be given in Chapter 5

4.6 OPERATING MODES

This section gives a brief description of the operating modes for the SPIRE instrument.

4.6.1 OFF Mode

All instrument sub-systems will be switched off - including the DPU and there will be no instrument telemetry.

4.6.2 Initialise (INIT) Mode

This is an intermediate mode between OFF and ON. This will be the mode the instrument enters after a power on or re-boot. In this mode only a limited sub-set of commands may be executed. This mode allows updates of DPU on-board software and/or tables to be carried out safely before they are used for instrument control.

4.6.3 ON Mode

The DPU will be switched on and can receive and interpret all instrument commands, but no other sub-systems will be switched on (including the DRCU). For engineering purposes it will be possible to command the instrument to switch on individual sub-systems from this mode. Full DPU housekeeping data will be telemetered.

4.6.4 Ready (REDY) Mode

The DPU and DRCU are powered on and the on-board software is ready to receive commands. No other sub-systems are switched on in this mode. DRCU housekeeping data will be telemetered.

4.6.5 Standby (STBY) Mode

The spacecraft may be pointed in an arbitrary direction (observing with another instrument for instance). The instrument will telemeter only housekeeping information, and perhaps some degraded science data -see below, at a rate very much lower than the full telemetry bandwidth. This is presently baselined to be the photometer detectors on and at 300 mK i.e. the cooler will have been recycled previous to entering STANDBY. All other sub-systems will be switched off.

4.6.6 Observe Mode (OBSV) Mode

There are two basic sub-modes for the observe mode Photometer and Spectrometer. The details of the OBSERVATIONS to be carried out in OBSERVE mode are given in section 4.7.

4.6.7 Cooler Recycle (CREC) Mode

The ^3He cooler requires recycling every 46 hours (TBC). During this time the instrument will be switched off except for vital housekeeping and cooler functions (TBC).

4.6.8 SAFE Mode

The instrument will be switched to SAFE mode in the event of any anomalous situation occurring whilst in autonomous operation. This will be with the DPU on having been rebooted from a restricted set of software stored in ROM.

4.7 OBSERVING MODES

The spacecraft will be pointed in a specific direction or, for mapping, will either slew slowly over a given region of the sky, or execute a raster pattern by movements of the telescope. The instrument will take scientifically meaningful data and use the full telemetry bandwidth. It is assumed that any calibrations required will also be done in the observe mode (TBC).

4.7.1 Photometer Observing Modes

The photometer can carry out essentially three kinds of observation: chopping, jiggling, and scanning. They are implemented as 9 (TBC) observing modes, named POFs (Photometer Observatory Functions), which are briefly described below.

POF1 Chop without jiggling:

This mode is for point source observations with reliable telescope pointing. The SPIRE Beam Steering Mechanism is used to chop between two positions on the sky at a frequency of typically 2 Hz. The telescope may optionally be nodded with a nod period of typically three minutes.

POF2 Seven-point jiggle map:

This mode is for point source observations for which the telescope pointing or the source co-ordinates are not deemed sufficiently accurate. The SPIRE BSM chops and also executes a seven-point map around the nominal position. Nodding is optional.

POF3 n-point jiggle map:

This mode is designed for mapping of extended sources. It is similar to POF2 except that the nominal value of n is 64 rather than 7. It produces a fully sampled map of a 4 x 4 arcminute area.

POF4 Raster map:

This is the same as POF3 except that maps of large regions can be built up by using the telescope rastering capability.

POF5 Scan map without chopping:

This mode is used for mapping areas much larger than the SPIRE field of view. The SPIRE BSM is inactive, and the spacecraft is scanned continuously across the sky to modulate the detector signals.

POF6 Scan map with chopping:

This mode is the same as POF5 except that the SPIRE BSM implements chopping. It allows for the possibility of excess 1/f noise by permitting signal modulation at frequencies higher than POF5.

POF7 Photometer peak-up (TBD):

This mode allows the necessary pointing offsets to be determined in order to allow implementation of POF1 rather than POF2. The observation itself is the same as POF3. On completion, the SPIRE DPU computes the offsets between the telescope pointed position and the source peak emission, and sends this information to the spacecraft, which can then implement the necessary pointing corrections.

POF8 Operate photometer calibrator:

The SPIRE photometer internal calibrator is energised with a pre-determined sequence and the corresponding detector signals are recorded.

POF9 Special engineering/commissioning modes (TBD).

4.7.2 Spectrometer Observing Modes

There are two kinds of spectrometer observation: point source and fully sampled map. The latter is carried out by repeating the former at a number of separate pointing using the SPIRE BSM (or, alternatively the spacecraft in RASTER Pointing mode). These are implemented as two Spectrometer Observatory Functions (SOFs):

SOF1: Point source spectrum

SOF2: Fully sampled spectral map

In all cases, the telescope pointing and/or Beam Steering Mirror position are kept fixed while the FTS mirror is scanned a predetermined number of times to generate interferograms from which the source spectrum can be derived.

4.7.3 Other Modes

4.7.3.1 Photometer Serendipity

During spacecraft slews scientifically useful information can be obtained without the necessity of using the focal plane chopper - essentially these are rapid scan maps. The chopper and spectrometer mechanisms will be switched off in this mode. Accurate pointing information will be required from the AOCS to reconstruct the slew path in the data analysis on the ground.

4.7.3.2 Photometer Parallel

When observations are being made with PACS, scientifically useful data may be obtainable from the photometer, albeit with degraded sensitivity and spatial resolution. In this mode a science data packet will be telemetered alongside the standard housekeeping data. The chopper and spectrometer mechanisms will be switched off in this mode.

4.7.4 Real-Time Commanding

During ground contact it may be necessary to command the instrument in real time and analyse the resultant data on the ground in near real time for instrument testing and debugging purposes. In this case the full telemetry bandwidth will be required for the duration of the instrument test in question. It is not anticipated that this will occur frequently.

4.7.5 Commissioning/calibration Mode

During the commissioning and performance verification phases of mission operations, many housekeeping and other health check parameters will be unknown or poorly defined. This mode allows the limits on selected health check parameters to be ignored by whatever real time monitoring systems are in place on the spacecraft/instrument.

4.7.6 FPU operations at Ambient Temperature

TBD. It is anticipated that functional checks will be possible for mechanisms and housekeeping lines. The detectors will not function at ambient temperature. Limited verification of the readout electronics may be possible.

4.7.7 FPU Orientation

During ground tests the FTS mechanism can only operate when the FPU is on its side. In addition, there is a restriction on the orientation of the ³He cooler during recycling.

4.8 INSTRUMENT REQUIREMENTS AND PERFORMANCE SPECIFICATION

4.8.1 Scientific Requirements

The scientific performance requirements for SPIRE are summarised in the *SPIRE Scientific Requirements Document* as follows:

Requirement SRD-R 1: The photometer should be capable of diffraction-limited extragalactic blind surveys of at least 60 sq. deg. of the sky, to 1- σ detection limit of 3 mJy in all bands with an observing time of six months or less.

Requirement SRD-R 2: The photometer should be capable of a galactic survey covering 1 deg. sq. to a 1- σ depth of 3 mJy at 250 μ m within an observing time of one month or less.

Requirement SRD-R 3: maximising the mapping speed at which confusion limit is reached over a large area of sky is the primary science driver. This means maximising sensitivity and field-of-view (FOV) but NOT at the expense of spatial resolution.

Requirement SRD-R 4: the photometer observing modes should provide a mechanism for telemetering undifferenced samples to the ground.

Requirement SRD-R 5: the photometer should have an observing mode that permits accurate measurement of the point spread function.

Requirement SRD-R 6: optical field distortion should be less than 10% across the photometer field of view.

Requirement SRD-R 7: the photometer field of view shall be at least 4 x 4 arcminutes, with a goal of 4 x 8 arcminutes.

Requirement SRD-R 8: For $2F\lambda$ feedhorns, crosstalk shall be less than 1% (goal 0.5%) for adjacent detectors and 0.1% or less (goal 0.05%) for all non-adjacent detectors in the same array. (Note: this requirement is currently under review).

Requirement SRD-R 9: the maximum available chop throw shall be at least 4 arcminutes; the minimum shall 10 arcseconds or less.

Requirement SRD-R 10: the rms detector NEP variation across any photometer array should be less than 20%.

Requirement SRD-R 11: the photometer dynamic range for astronomical signals shall be 12 bits or higher.

Requirement SRD-R 12: SPIRE absolute photometric accuracy shall be 15% or better at all wavelengths, with a goal of 10%.

Requirement SRD-R 13: the relative photometric accuracy should be 10% or better with a goal of 5%.

Requirement SRD-R 14: SPIRE photometric measurements shall be linear to 5% over a dynamic range of 4000 for astronomical signals.

Requirement SRD-R 15: for feedhorn detectors, the overlapping sets of three detectors at the three wavelengths should be co-aligned to within 1.0 arcsecond on the sky.

Requirement SRD-R 16: the spectrometer design shall be optimised for optimum sensitivity to point sources.

Requirement SRD-R 17: the spectrometer dynamic range for astronomical signals shall be 12 bits or higher.

Requirement SRD-R 18: the FTS absolute accuracy shall be 15% or better at all wavelengths, with a goal of 10%.

Requirement SRD-R 19: The FTS shall be capable of making spectrophotometric measurements with a resolution of 2 cm^{-1} , with a goal of 4 cm^{-1} .

Requirement SRD-R 20: The width of the FTS instrument response function shall be uniform to within 10% across the field of view.

Requirement SRD-R 21: The maximum spectral resolution of the FTS shall be at least 0.4 cm^{-1} with a goal of 0.04 cm^{-1} .

Requirement SRD-R 22: The SPIRE photometer shall have an observing mode capable of implementing a 64-point jiggle map to produce a fully sampled image of a 4×4 arcminute region.

Requirement SRD-R 23: The photometer observing modes shall include provision for 5-point or 7-point jiggle maps for accurate point source photometry.

Requirement SRD-R 24: The photometer shall have a "peak-up" observing mode capable of being implemented using the beam steering mirror.

4.8.2 Instrument Specifications

Tables 4.1 and 4.2 list the performance specifications for the photometer and spectrometer, based on the SPIRE proposal.

Table 4.1: Photometer specifications

		250 μm	350 μm	500 μm
Filter pass-band (I/DI)				
Field-of-view (arcminutes)	Requirement	4 x 4	4 x 4	4 x 4
	Goal	4 x 8	4 x 8	4 x 8
Beam FWHM (arcsec)		18	25	36
Point source observation:				
1s 1sec limiting flux density (mJy)		0.6	0.6	0.7
Mapping observation:				
1s 1sec limiting flux density (mJy) for fully sampled map of FOV		1.4	1.5	1.9

Table 4.2: Spectrometer specifications

Wavelength range (μm)	SW Band: 200-300 (TBC) LW Band: 300-670 (TBC)
Max. resolution (cm^{-1})	0.4
Requirement Goal	0.04
Min resolution (cm^{-1})	2
Requirement Goal	4
Field of view (arcmin.)	2 x 2
Requirement Goal	2.6 x 2.6
Beam FWHM (arcsec)	SW Band: 18 LW Band: 35 (TBC)
Line spectroscopy (point source observation): 1s:1 hr limiting line flux (W m^{-2})	SW Band: 7.6×10^{-18} LW Band: 7.0×10^{-18} (300 μm) 7.0×10^{-18} (400 μm) 1.4×10^{-17} (670 μm)
Line spectroscopy (mapping observation): 1 s; 1 hr limiting line flux for fully sampled FOV map (W m^{-2})	SW Band: 1.8×10^{-17} LW Band: 1.7×10^{-17} (300 μm) 1.7×10^{-17} (400 μm) 3.4×10^{-17} (670 μm)
Spectrophotometry 1 cm^{-1} resolution (point source observation): 1s:1 hr limiting flux density (mJy)	SW Band: 25 LW Band: 23 300 μm) 23 400 μm) 46 670 μm)
Spectrophotometry 1 cm^{-1} resolution (point source observation): 1 s; 1 hr limiting flux density for fully sampled FOV map (mJy)	SW Band: 59 LW Band: 57 (300 μm) 57 (300 μm) 114 (670 μm)

4.1.3 Instrument Performance Estimation

4.1.3.1 Assumptions

The following assumptions are made in estimating the scientific performance of the instrument.

Telescope:	Temperature	80 K
	Used diameter	3.29 m (secondary mirror pupil stop)
	Emissivity	0.04
Detectors:	Optical NEP	$3.0 \times 10^{-17} \text{ W Hz}^{-1/2}$
	Quantum efficiency	0.8
	Feed-horn efficiency	0.7
	Throughput for each detector	$A\Omega = \lambda^2$ (2.0F λ feed-horns)
Photometer:	Central wavelengths	250 350 and 500 μm
	Numbers of detectors	149 88 and 43
	Beam FWHM	17.4 24.4 and 34.6 arcseconds

	Field of view of each array	4 x 8 arcminutes	
	Overall instrument transmission	30%	
	Filter widths ($\lambda/\Delta\lambda$)	3	
	Observing efficiency	90%	
FTS:	Nominal bands	33.5-50 cm^{-1} (200-300 μm)	15-33.5 cm^{-1} (300-670 μm)
	Numbers of pixels	37	19
	Field of view	2.6 arcminutes, approx. circular	
	Max. spectral resolution	0.04 cm^{-1} ($\lambda/\Delta\lambda = 1000$ at 250 μm)	
	Overall instrument transmission	15%	
	Cos^2 signal modulation efficiency	0.5	
	Observing efficiency	0.8	
	Electrical filter efficiency	0.8	

4.1.3.2 Performance Estimates

The scientific capabilities of SPIRE (based on the above assumptions), are summarised in the following tables.

Table 4.3: Photometer performance estimates

Filter pass-band (I/DI)	250 μm	350 μm	500 μm
Point source observation:			
1s 1sec limiting flux density (mJy)	0.48	0.53	0.59
Mapping observation:			
1s 1sec limiting flux density (mJy) for fully sampled map of FOV	1.1	1.2	1.5

Table 4.4: Spectrometer performance estimates

Line spectroscopy (point source observation): 1s:1 hr limiting line flux (W m^{-2})	SW Band: 5.4×10^{-18} LW Band: 6.9×10^{-18} 6.9×10^{-18} 1.4×10^{-17}	(300 μm) (400 μm) (670 μm)
Line spectroscopy (mapping observation): 1 s; 1 hr limiting line flux for fully sampled FOV map (W m^{-2})	SW Band: 1.3×10^{-17} LW Band: 1.3×10^{-17} 1.6×10^{-17} 3.2×10^{-17}	(300 μm) (400 μm) (670 μm)
Spectrophotometry 1 cm^{-1} resolution (point source observation) 1s:1 hr limiting flux density (mJy)	SW Band: 18 LW Band: 23 23 46	(300 μm) (400 μm) (670 μm)
Spectrophotometry 1 cm^{-1} resolution (mapping observation) 1 s; 1 hr limiting flux density for fully sampled FOV map (mJy)	SW Band: 44 LW Band: 53 53 106	(300 μm) (300 μm) (300 μm) (670 μm)

These figures are comparable to or better than the specifications given in Tables 4.1 and 4.2.

5 INTERFACE WITH SATELLITE

Spacecraft resource allocations, as specified for the scientific instruments in the IID-A, are based on present knowledge.

5.1 IDENTIFICATION AND LABELLING

Each individual instrument unit is allocated two unique identification codes:

- a project code which is the normal reference used for routine identification in correspondence and technical descriptive material.
- a spacecraft code allocated by the spacecraft contractor in accordance with the computerised configuration control system to be implemented, and used in particular for connector and harness identification purposes. The project code is part of the spacecraft code. (See IID-A section 5.1)

The project codes allocated to this instrument are:

Project code	Instrument unit
FSFPU	Cold Focal Plane Unit (FPU)
FSFTB	Focal plane JFET box (FTB)
FSDRC	Detector Read-out and Control Unit (DRCU)
FSDPU	Digital Processing Unit (DPU)
FSWIH	Warm interconnect harnesses (HARNESS)

5.2 COORDINATE SYSTEM

The unit specific definitions are shown in the External Configuration Drawings. (section 5.4)

5.3 LOCATION AND ALIGNMENT

Figures 5.3-1 and 5.3-2 show the concept of the location of the three Focal Plane Units (FPUs) on the Optical Bench (OB) inside the cryostat and the concept of the location of the HIFI Local Oscillator Unit (FHLOU) external to the cryostat.

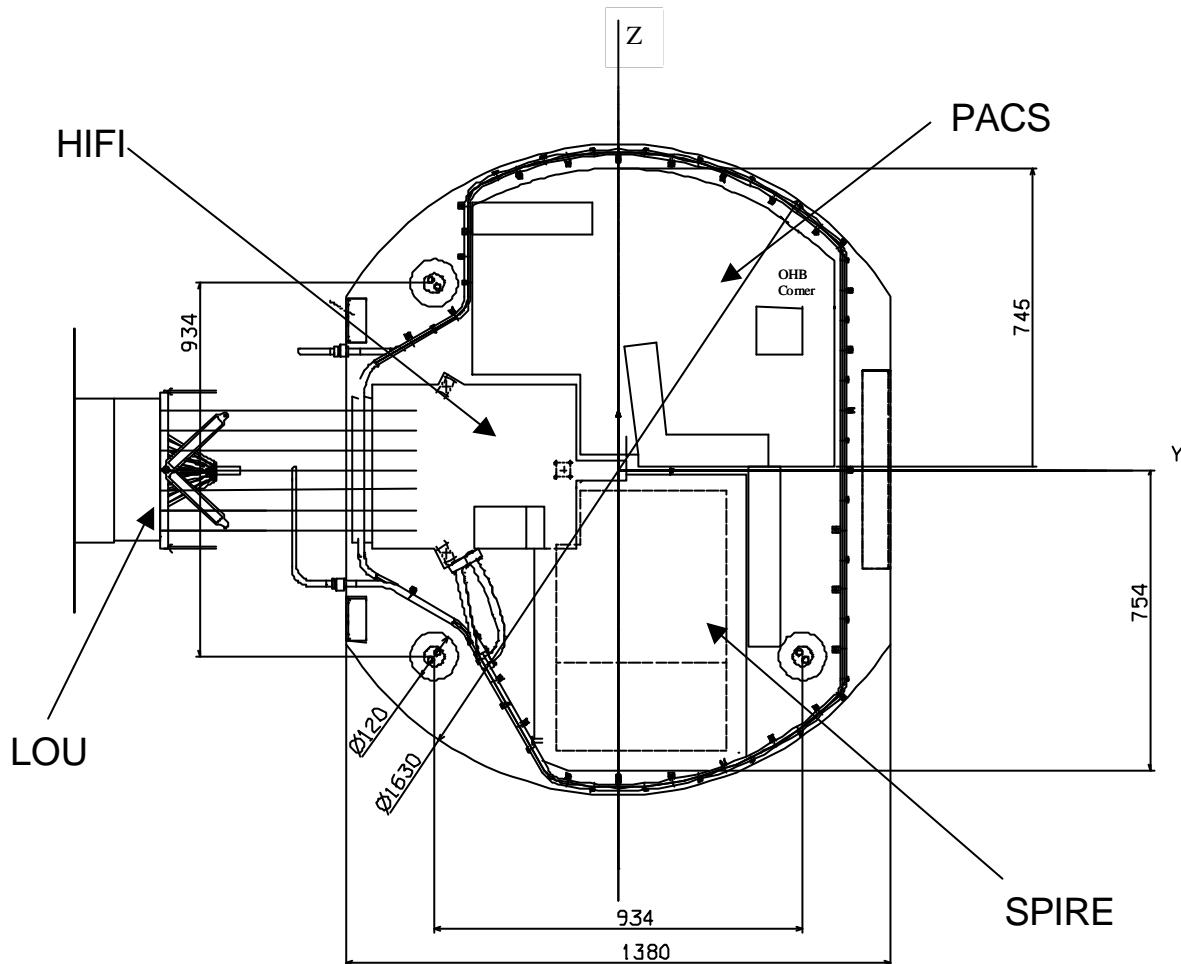


Figure 5.3-1: The FIRST Focal Plane, top view towards -X

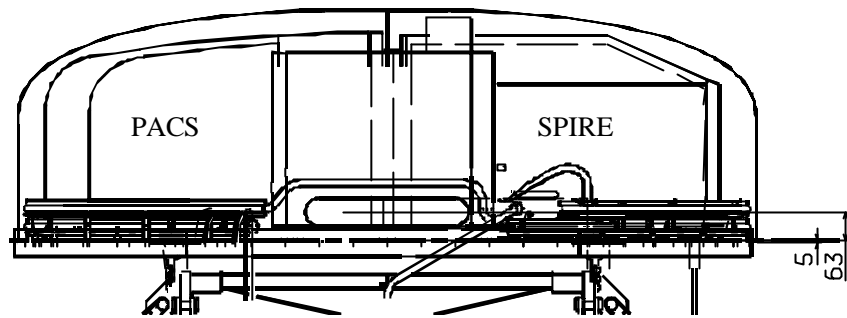


Figure 5.3-2: The FIRST Focal Plane, side view towards +Y

5.3.1 Instrument Location

The locations of the SPIRE units are as follows:

Project code	Instrument location
FSFPU	On FIRST optical bench inside cryostat
FSFTB	On FIRST optical bench inside cryostat
FSDRC	On SVM
FSDPU	On SVM
FSWIH	On SVM

5.3.1.1 Inside cryostat

As shown in figure 5.4-1

5.3.1.2 Outside cryostat

No SPIRE units are located on the outside of the cryostat

5.3.1.3 On SVM

There are no location requirements for units on the SVM. It is expected that the FSDRC and the FSDPU are located close to each other.

5.3.1.4 On Planck module

NA

5.3.2 Instrument Alignment

There are no alignment and/or alignment stability requirements except for the focal plane unit, the FSFPU.

5.3.2.1 Absolute Requirements

The absolute alignment requirements of the FSFPU to the Optical Bench at operating conditions are TBC. However the SPIRE instrument places the following general requirement on the alignment of the instrument on the optical bench and the FIRST telescope with optical bench.

The optical alignment for the SPIRE instrument will be designed to control the degree of undersize required on the instrument cold stop to prevent the instrument viewing undesirable parts of the telescope structure (TBD). The present SPIRE optical alignment plan (in preparation) gives an undersize of 4.1%. The SPIRE instrument requires that the contribution of the alignment of the instrument on the FIRST optical bench and the FIRST telescope with the optical bench contributes no more than 5% to the required cold stop undersize i.e. the contribution from misalignment of the instrument and telescope is not significantly different to that from the instrument itself.

The telescope alignment plan (reference) calls for the instruments to be placed on the FIRST optical bench with no adjustment thereafter and for the FIRST telescope to be aligned to within TBD mm. This actual value is critically dependent on the telescope optical design. For a 308 mm secondary mirror the 5% requirement equates to a **total** positional accuracy of +/-3.9 mm (TBC).

There are no alignment requirements on the SPIRE JFET box.

5.3.2.2 Stability Requirements

The alignment stability requirements at operating conditions are TBD

5.4 EXTERNAL CONFIGURATION DRAWINGS

5.4.1 FSFPU

Figure 5.4-1 shows a drawing for the FSFPU and FSFTB inside the cryostat and their relationship to the telescope focal plane, the cryostat radiation shield and the diameter of the OB.

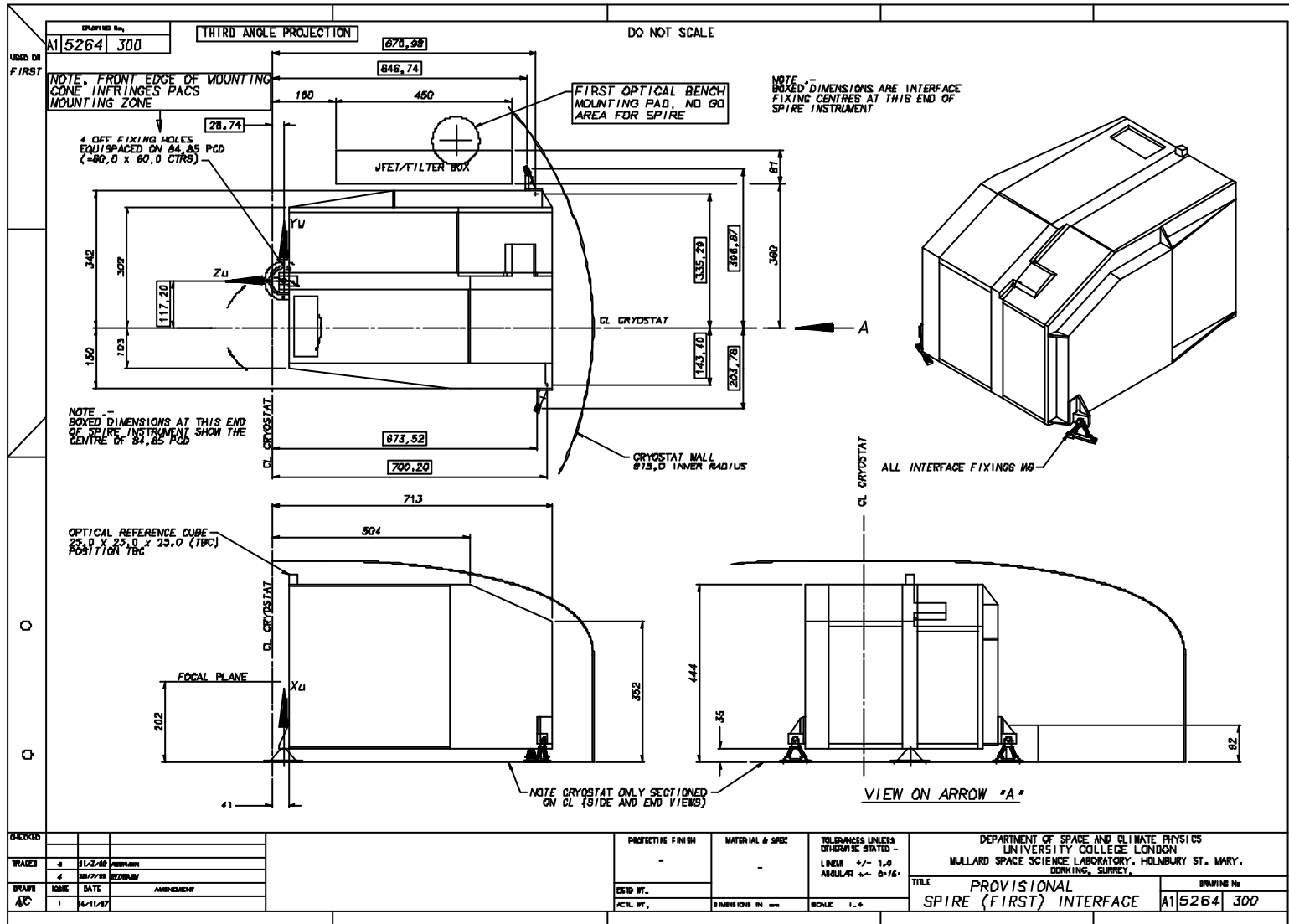


Figure 5.4-1: SPIRE Focal Plane Unit. The position and size of the JFET box is indicative only

5.4.2 FSFTB

Figure 5.4-2 shows the external configuration drawing for the SPIRE JFET box (TBW).

5.4.3 FSDRC

Figure 5.4-4 shows the external configuration drawing for the SPIRE detector readout and control unit (TBW).

5.4.4 FSDPU

Figure 5.4-5 shows the external configuration drawing for the SPIRE data processing unit (TBW).

5.4.5 FSWIH

Figure 5.4-6 shows the external configuration drawing for the SPIRE warm electronics interconnect harness (TBW).

5.5 SIZES AND MASS PROPERTIES

The table below shows for each unit its size, mass and the number of units:

Project code	Instrument unit	# of	Dimensions (mm) *	Nominal Mass (kg)
FSFPU	Cold Focal Plane Unit (FPU)	1	750 x 650 x 455 Irregular shape	42
FSFTB	JFET/RF box	1	300x100x100 (TBC)	6
FSDRC	Detector Read-out and Control Unit (DRCU)	1	285 x 256 x 234	18
FSDPU	Digital Processing Unit (DPU)	1	240 x 218 x 194	10
FSWIH	Warm interconnect harnesses: FSDRC-FSDPU	1	< 2000	2
TOTAL				78

* Dimensions are given as Length x Width x Height. Length and Width define the fixation baseplate.

Note : Harnesses from the FSFTB and the FSFPU to the FSDRC will be ESA responsibility.

5.6 MECHANICAL INTERFACES

5.6.1 Inside cryostat

The Focal Plane Unit, the FSFPU, will have 3 support interfaces to the Optical Bench. One of these interfaces is the reference, as marked in the External Configuration Drawing. The interface will be such as to allow unit alignment and alignment-stability requirements to be fulfilled.

The JFET box will also mechanically interface directly to the Optical Bench. The number and location of the interfaces for fixation are 4 (TBC). There is no alignment requirement for this unit.

The FTS and the BSM are sensitive to μ -vibrations. SPIRE will define the required maximum level and bandwidth at the optical bench interface in due course.

5.6.2 Outside Cryostat

NA

5.6.3 On SVM

Units mounted on the SVM will have 6 attachment points for fixation to the equipment platform, as shown in figure (5.5-4).

The SPIRE warm electronics interconnect harness will attach to the SVM via TBD straps

5.6.4 On Planck Payload Module

NA

5.6.5 Cooler valves and piping

NA

5.7 THERMAL INTERFACES

5.7.1 Inside cryostat

The various instrument stages require 3 different temperatures. This will be achieved by strapping the stages to various "cold" parts of the cryostat.

These cryostat parts are:

- Level 0: The He II tank for temperatures at the 1.7 K level
- Level 1: Strap to the He ventline at about 4K
- Level 2: Strap to the He-ventline at about 10 K

The table below shows the required operating temperatures at the interface of the instrument unit with the cryostat or parts thereof:

Project code	Operating		Start-up	Switch-off	Non-operating	
	Min. K	Max. K	$^{\circ}\text{C}$	$^{\circ}\text{C}$	Min. $^{\circ}\text{C}$	Max. $^{\circ}\text{C}$

FSFPU (Level 1 enclosure)	N/A	6	TBD ^{***}	TBD ^{***}	TBD	+ 60* + 80 **
FSFPU Dedicated ³ He cooler strap	N/A	2****	TBD ^{***}	TBD ^{***}	TBD	+ 60* + 80 **
FSFPU Level 0 Enclosure	N/A	2	TBD ^{***}	TBD ^{***}	TBD	+ 60* + 80 **
FSFTB	N/A	15	TBD ^{***}	TBD ^{***}	TBD	+ 60* + 80 **

- * Continuous temperature limit.
- ** Short-duration temperature limit for bake-out during a maximum of 72 hours.
- *** Certain sub-systems may not be able to be operated above 20 K.
- **** For sorption cooler recycling see 5.7.1.1

5.7.1.1 Thermal Straps for ³He Cooler

The operation of the ³He cooler requires that it is recycled by heating the sorption pump to ~40-K whilst the evaporator is kept at 1.7-K, thus condensing the ³He into the evaporator. At the end of the condensation phase the heat switch on the sorption pump is turned ON as the switch on the evaporator is turned OFF. Then there is a substantial peak power from the sorption pump to the bath via the strap. This peak power and associated energy will not have any significant impact on the bath – the cryostat LHe tank. However it will have a substantial impact on the thermal gradient along the strap.

It is strongly recommended that the strap from the cooler to the LHe tank is actually split into two straps, one for the pump and one for the evaporator, and the attachment points of each strap on the helium tank are separated. In this way the temperature of the evaporator strap will remain at $T_{\text{bath}} + \Delta T$ (as small as possible), leading to a good condensation efficiency and less ³He lost during the cooldown from 1.7 K to 0.3 K. The sorption pump will still operate properly even if the "hot" end of its strap rises momentarily to as much as 10 K. The temperature of the evaporator during condensation is critical to the efficiency of the cooler. Therefore it is also highly desirable that the connection between the evaporator and the LHe tank is direct as possible – i.e. not via any internal structure in the SPIRE instrument which may impose parasitic loads leading to a higher temperature.

For these reasons SPIRE will provide two Level 0 thermal strap interfaces to the ³He cooler which must be taken to the LHe tank via separate straps at separate locations on the tank. The SPIRE instrument will provide a third, separate, Level 0 strap interface for the internal structure of the instrument. The required thermal conductance is defined by the maximum temperature allowed at the interface, i.e. for cooler recycling up to 10 K.

5.1.2 Outside Cryostat

NA

5.1.3 On SVM

The table below shows the required operating temperatures at the interface of the instrument unit with a mounting platform or parts thereof:

Project code	Operating		Start-up	Switch-off	Non-operating	
	Min. °C	Max. °C	°C	°C	Min. °C	Max. °C
FSDRC	- 15	+ 45	- 30	+ 50	- 35	+ 80
FSDPU	- 15	+ 45	- 30	+ 50	- 35	+ 80

Note:

Acceptance temperature is 5⁰ below min. and 5⁰ above max. operating temp.

Qualification temperature is 10⁰ below min. and 10⁰ above max. operating temp.

5.1.4 On Planck Payload Module

NA

5.1.5 Temperature channels

5.1.5.1 Instrument Temperature Sensors

The table below shows information relevant to the measurement of instrument temperatures.

Unit	Location	Acronym	Sensor Type	Temp. Range	TM ref.
		(all TBC)		(all TBC)	
FSFPU	200 μm array	T_PSW_1	TBD	0.2 K>5 K	TBD
FSFPU	200 μm array	T_PSW_2	TBD	0.2 K>5 K	TBD
FSFPU	350 μm array	T_PMW_1	TBD	0.2 K>5 K	TBD
FSFPU	350 μm array	T_PMW_2	TBD	0.2 K>5 K	TBD
FSFPU	500 μm array	T_PLW_1	TBD	0.2 K>5 K	TBD
FSFPU	500 μm array	T_PLW_2	TBD	0.2 K>5 K	TBD
FSFPU	FTS array 1	T_SSW_1	TBD	0.2 K>5 K	TBD
FSFPU	FTS array 1	T_SSW_2	TBD	0.2 K>5 K	TBD
FSFPU	FTS array 2	T_SLW_1	TBD	0.2 K>5 K	TBD
FSFPU	FTS array 2	T_SLW_2	TBD	0.2 K>5 K	TBD
FSFPU	PHOT Level 0 box	T_PL0_2	TBD	1 K>300 K	TBD
FSFPU	FTS Level 0box	T_SL0_2	TBD	1 K>300 K	TBD
FSFPU	Level 1structure	T_CL1_2	TBD	3 K>300 K	TBD
FSFPU	Instrument	T_COV_2	TBD	3 K>300 K	TBD

Unit	Location	Acronym	Sensor Type	Temp. Range	TM ref.
		(all TBC)		(all TBC)	
	cover (May not be needed)				
FSFPU	Phot Calibrator	T_PCAL_1	TBD	3 K>300 K	TBD
FSFPU	Phot Calibrator	T_PCAL_2	TBD	3 K>300 K	TBD
FSFPU	FTS Mechanism	T_FTS_1	TBD	3 K>300 K	TBD
FSFPU	FTS Mechanism	T_FTS_2	TBD	3 K>300 K	TBD
FSFPU	FTS Calibrator	T_SCAL_1	TBD	3 K>300 K	TBD
FSFPU	FTS Calibrator	T_SCAL_2	TBD	3 K>300 K	TBD
FSFPU	Cooler Pump	T_CPMP_1	TBD	3 K>300 K	TBD
FSFPU	Cooler Pump	T_CPMP_2	TBD	3 K>300 K	TBD
FSFPU	Cooler Evaporator	T_CEV_1	TBD	0.2 K>5 K	TBD
FSFPU	Cooler Evaporator	T_CEV_1	TBD	0.2 K>5 K	TBD
FSFPU	Cooler Pump heat switch	T_CPHS_1	TBD	1 K>50 K	TBD
FSFPU	Cooler Pump heat switch	T_CPHS_2	TBD	1 K>50 K	TBD
FSFPU	Cooler Evap. Heat switch	T_CEHS_1	TBD	1 K>50 K	TBD
FSFPU	Cooler Evap. Heat switch	T_CEHS_2	TBD	1 K>50 K	TBD
FSFPU	Shutter Vane	T_SHUT_1	TBD	3 K > 30 K	TBD
FSFPU	Shutter Vane	T_SHUT_2	TBD	3 K > 30 K	TBD
FSFPU	BSM (TBC)	T_BSM_1	TBD	3 K>300 K	TBD
FSFPU	BSM (TBC)	T_BSM_2	TBD	3 K>300 K	TBD
FSFTB	JFET/Filter box	T_FTB_2	TBD	3 K>300 K	TBD
FSDRC	DRCU	T_DRCU_2	TBD	-45 °C >90 °C	TBD
FSDRC	DRCU	T_DRCU_3	TBD	-45 °C >90 °C	TBD
FSDPU	DPU	T_DPU_2	TBD	-45 °C >90 °C	TBD

5.1.5.2 Satellite Temperature sensors

In addition to the instrument temperature channel, SPIRE requires that the satellite monitors the temperatures of certain parts of the cryostat and SVM independently to

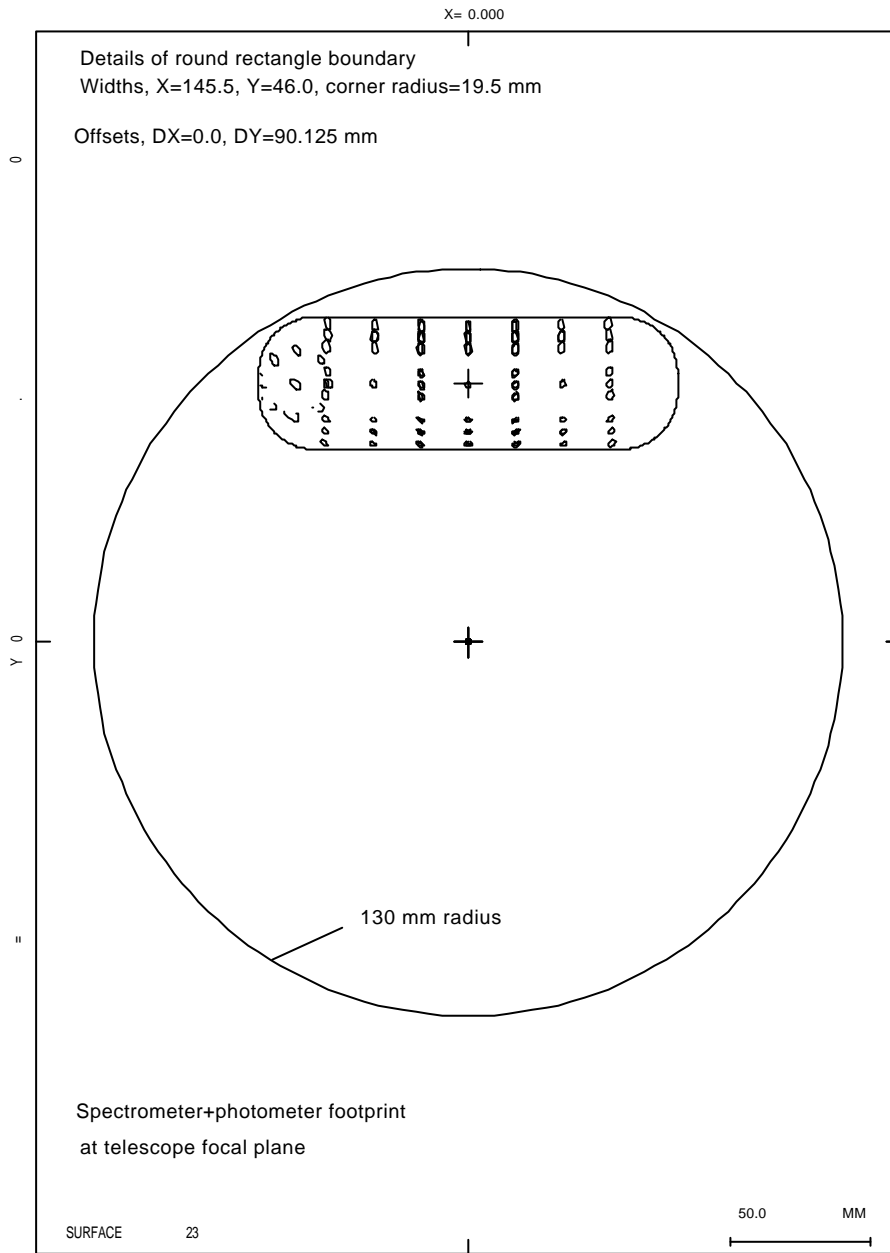
ensure the safety of the instrument when it is not operating. These are given in the table below.

Location	Acronym	Sensor Type	Temp. Range	TM ref.
	(all TBD)	(All TBD)	(all TBC)	(All TBD)
Level 0 Strap to cooler			1.5K - 90°C	
Level 0 Strap to FSFPU enclosure			1.5K - 90°C	
Level 1 strap to FSFPU			1.5K - 90°C	
Level 2 strap to FSFTB			1.5K - 90°C	
Optical bench at FSFPU mechanical interfaces (number TBD)			1.5K - 90°C	
SVM at FSDRC mechanical interface			-80 + 90°C	
SVM at FSDPU mechanical interface			-80 + 90°C	

5.8 OPTICAL INTERFACES

Figures 5.8-1, 5.8-2, 5.8-3,5.8-4 and 5.8-5 show the SPIRE optical beam envelope at various places through the path from the telescope focal plane to the hole in the FIRST primary mirror. No structure or other material is allowed within the envelope defined by these “footprints”.

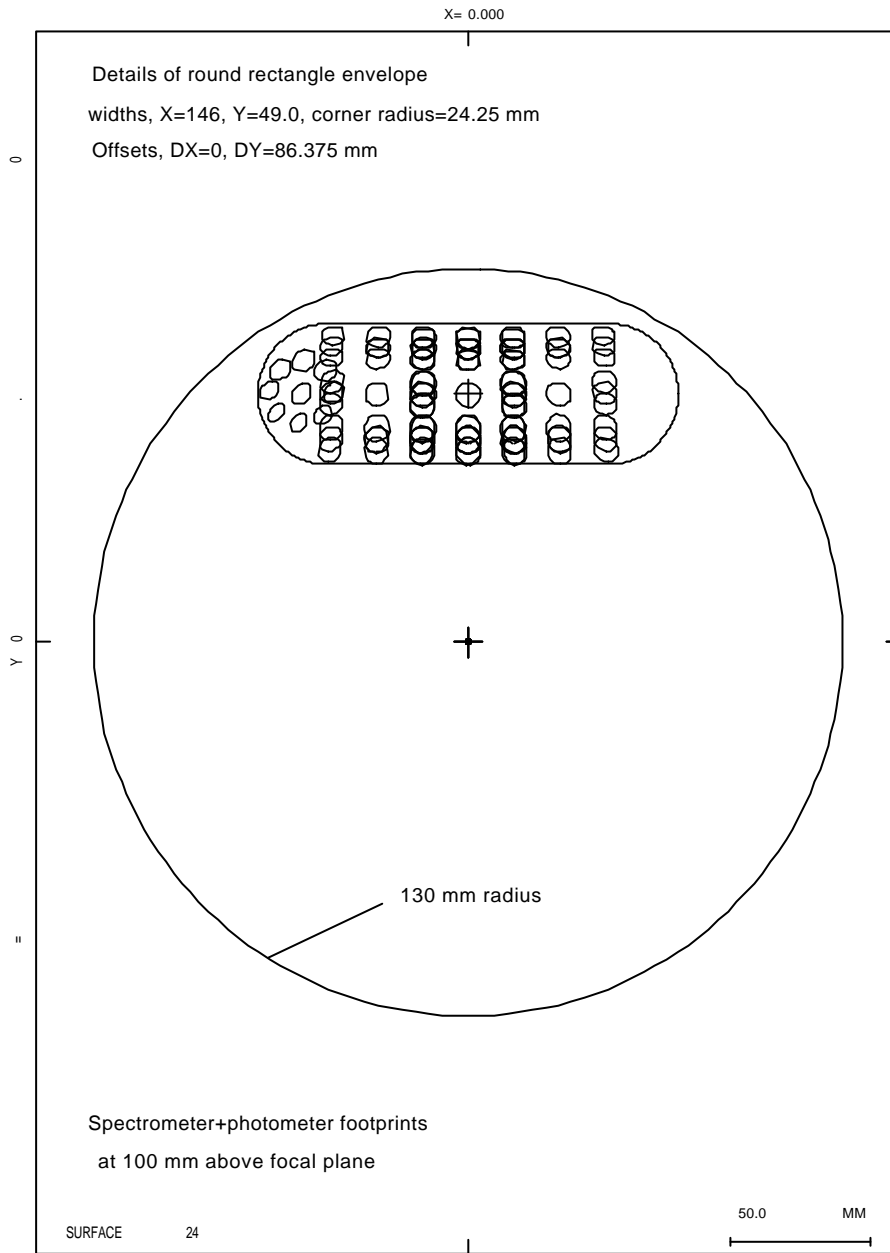
The footprints are subject to revision as the optical design of the telescope, and thus of the SPIRE instrument, is refined. Note that with the present design the 130 mm radius hole in the cryostat is barely large enough for the beam to pass through unvignetted and the hole in the primary is required to be at least 135 mm radius. In fact these are sized for the geometrical footprints only, when the effects of diffraction are taken into account there is certain to be some vignetting at some parts of the FOV for some beam steering mirror positions.



27-Jul-99

Reversed PHOT126B + SP460C

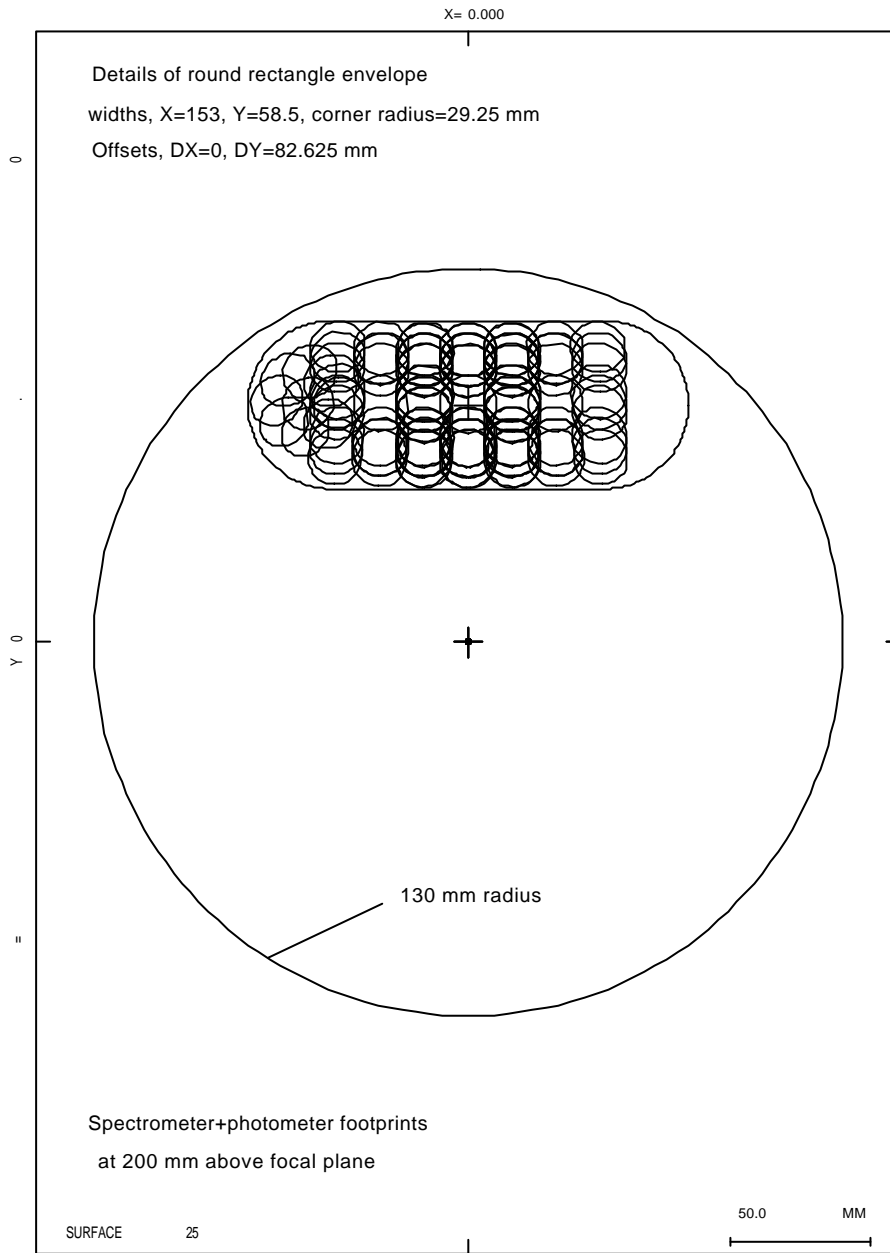
Figure 5.8-1 SPIRE optical beam envelope at the telescope focal plane.



27-Jul-99

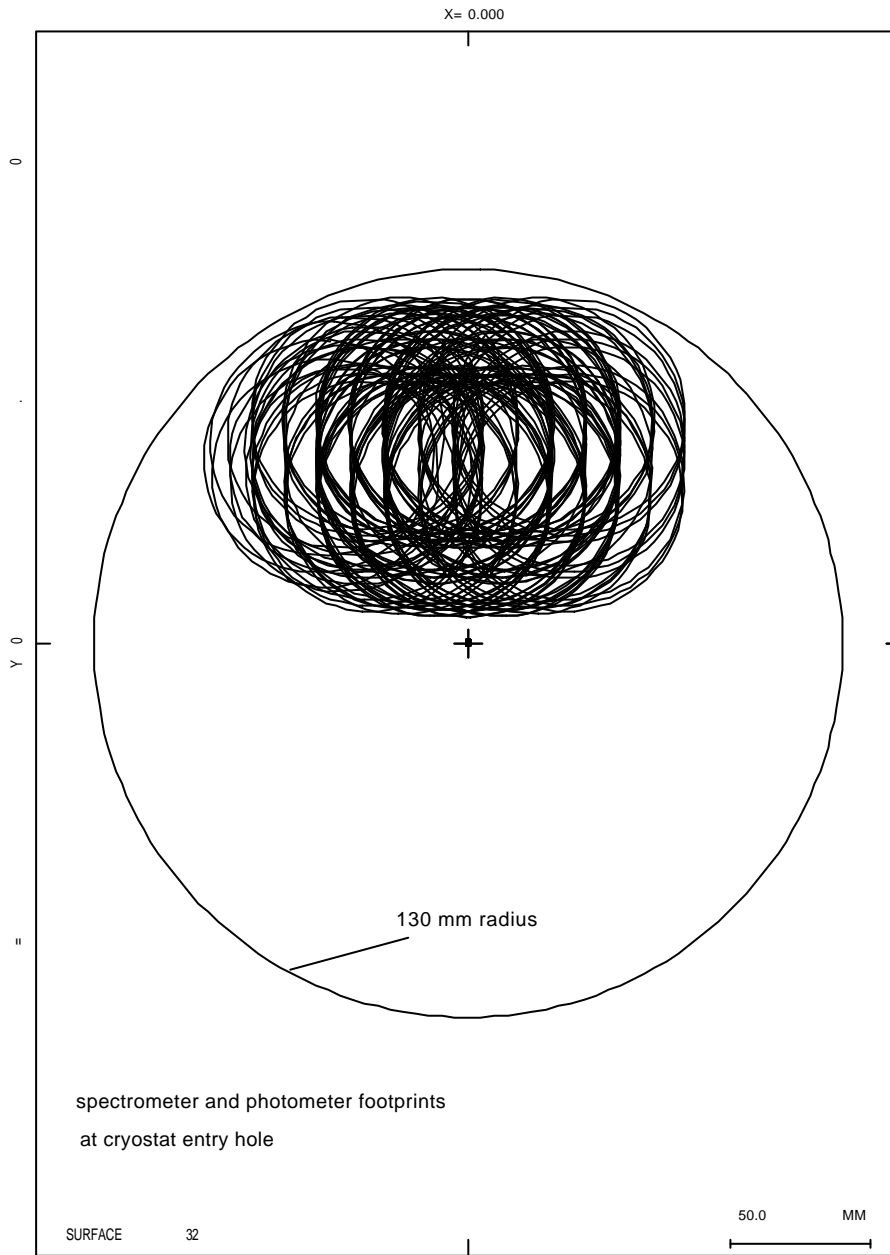
Reversed PHOT126B + SP460C

Figure 5.8-2 SPIRE optical beam envelope at 100 mm above telescope focal plane.



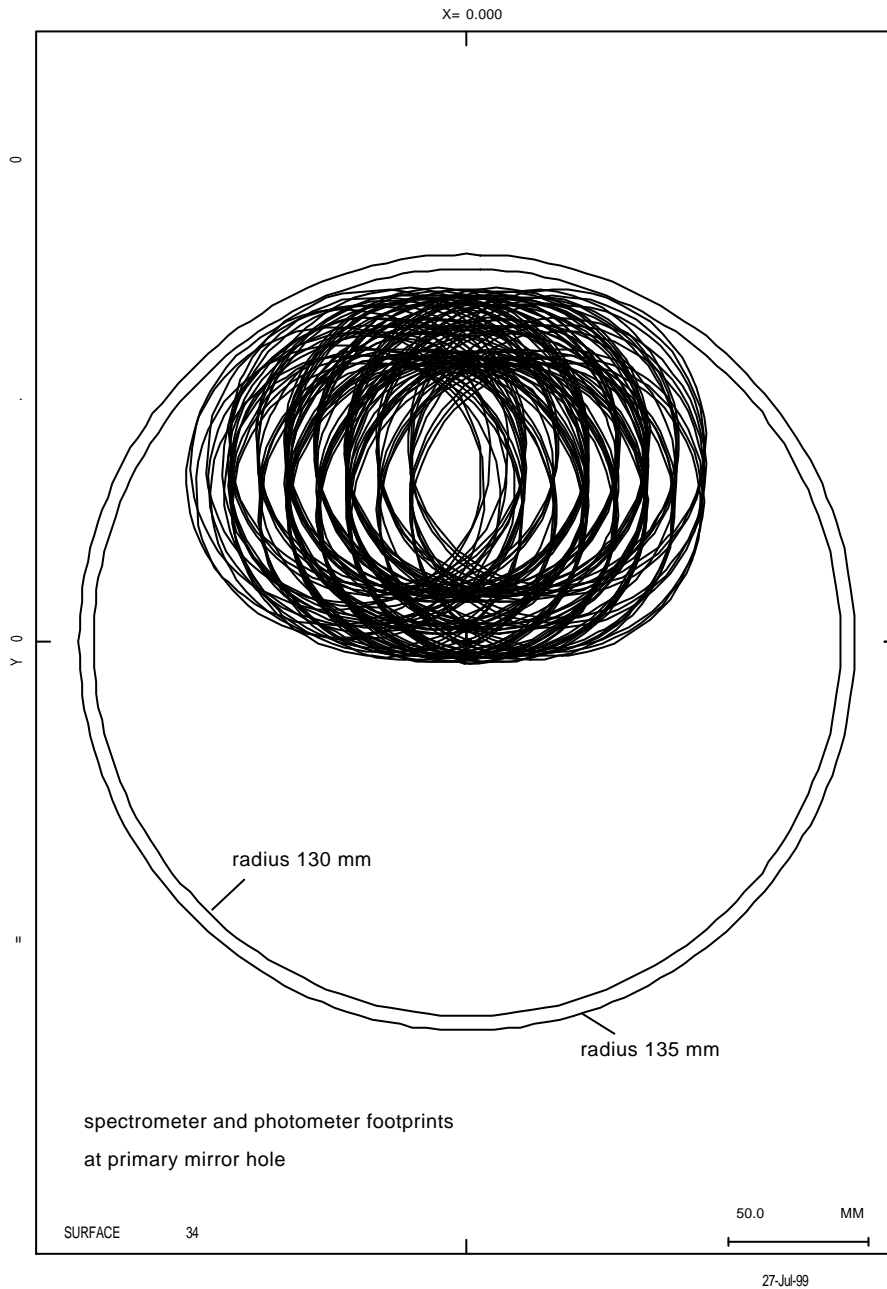
Reversed PHOT126B + SP460C

Figure 5.8-3 SPIRE optical beam envelope at 200 mm above telescope focal plane.



Reversed PHOT126B + SP460C

Figure 5.8-4 SPIRE optical beam envelope at the exit hole from the FIRST cryostat.



Reversed PHOT126B + SP460C

Figure 5.8-5 SPIRE optical beam envelope at the hole in the FIRST telescope primary mirror.

5.8.1 Straylight

Instrument straylight model is described in RD1: Caldwell. M; Richards. A; Swinyard. B. Straylight Analysis – SPIRE/RAL/N0044 Descriptions of CodeV and APART models of FIRST-SPIRE.

5.9 POWER

5.9.1 Inside cryostat

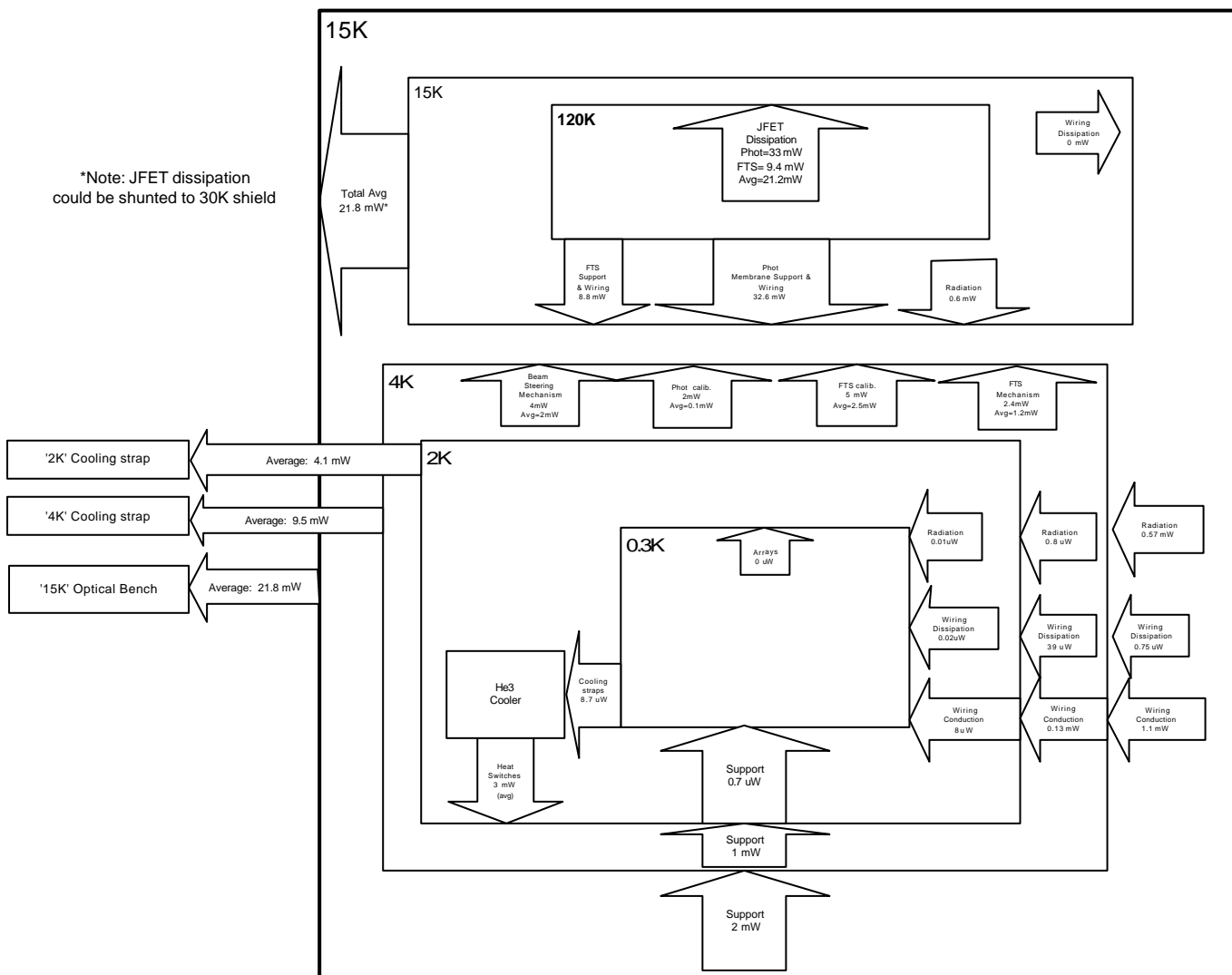
The tables and models below show the heat dissipation of the units mounted inside the cryostat:

Project code	Instrument unit	Power Dissipation (W)
FSFPU	Cold Focal Plane Unit	See: Thermal Model and Thermal Table

5.9.1.1 Thermal model FSFPU

Please note that the diagram above is for information purposes only, budget values are given in the thermal tables.

344 bolometers, JFETs ON
 (note: Average figures are for 50% photometry/spectrometry operation)



SPIRE Thermal block diagram: Feed-horn option

5.9.1.2 Thermal table FSFPU

Temp. Stage	Item	Loads in mW (All TBC)			
		Standby	OFF	PHOT	SPEC
Level 2	JFET Box	33	0	33	9.4
Level 1	Wires	1.1	1.1	1.1	1.1
	Radiation	0.6	0.6	0.6	0.6
	Mechanisms & calibrators	0.0	0.0	4.1	7.4
	Structure	6.0	6.0	6.0	6.0
	Total	7.7	7.7	11.8	15.1
Level 0	Wires	0.1	0.1	0.1	0.1
	Dissipation	0.0	0.0	0.0	0.0
	Cooler***	4.0	1.0	4.0	4.0
	Structure	1.0	1.0	1.0	1.0
	Total	5.1	2.1	5.1	5.1

Either Photometer or Spectrometer JFETS are switched on in STANDBY mode, and switched off in OFF mode. Average power in OBSERVING mode can be calculated assuming JFETS for photometer can be turned off when spectrometer is in operation, and vice versa.

Level 1 heatloads assume level 2 is 11K and level 1 is 4 K

** Excludes conducted and dissipative heatloads from cryo harness connecting to 300 K level.

*** Includes dissipation of ³He refrigerator when operating (Averaging the load during operation and recycling – recycle mode dissipates 90 mW (TBC) for 2 out of every 48 hours). The parasitic loads from 4 to 2 K through the structure and heat switches amount to 1 mW (TBC).

5.9.2 Outside Cryostat

NA

5.9.3 On SVM

The table below shows the heat dissipation of the units mounted on the SVM:

Project code	Instrument unit	Power (W)
FSDRC	Detector Read-out and Control Unit	71
FSDPU	Digital Processing Unit	15
FSWIH	Warm Interconnect Harness	0
TOTAL		86

5.9.4 On Planck Payload Module

NA

5.9.5 Instrument Operating Modes

The table below shows the status of the instrument subsystems in the various instrument modes. (It is the idea to link this, at a later stage, to para 5.9.1 through 5.9.4 for the purpose of power dissipation calculations inside and outside the cryostat).

Unit	Subsystem	Recycle	Off	On	Standby/ Parallel/ Serendipity	Observe	
						PHOT	SPEC
FSFPU	Detector Bias	OFF	OFF	OFF	ON	ON	ON
	Photometer Cal Source	OFF	OFF	OFF	OFF	X	OFF
	Spect Cal Source	OFF	OFF	OFF	OFF	OFF	ON
	Cooler	ON	OFF	OFF	ON	ON	ON
	BSM	OFF	OFF	OFF	ON	ON	ON
	FTS Mechanism	OFF	OFF	OFF	OFF	OFF	ON
FSFTB	JFET amplifiers	ON	OFF	OFF	ON	ON	ON
FSDRC	Read-out electronics & Mechanism drive	ON	OFF	OFF	ON	ON	ON
	Electronics						
FSDPU	Digital Processing Unit	ON	OFF	ON	ON	ON	ON

ON =	Operational;
OFF =	Inactive;
X =	Either ON or OFF depending on instrument configuration.

5.9.6 Supply voltages

5.9.6.1 28 Volt main-bus

5.9.6.1.1 Load on main-bus

The power load on the 28V. main-bus for the instrument is as follows:

Operating mode	Average BOL (beginning of life) (W)	Average EOL (end of life) (W)	Peak (W)
Observe	86 W	TBD	TBD
Parallel	86 W	TBD	TBD
Serendipity	86 W	TBD	TBD
Standby	86 W	TBD	TBD
Cooler Recycle	86 W	TBD	TBD
On	15 W	TBD	TBD
Off	0	0	0

5.9.6.1.2 Interface circuit

There will be two 28 V lines plus redundancy into the SPIRE instrument. One to the FSDPU and one to the FSDRC.

5.9.6.2 Keep Alive Line (KAL)

Because the instrument will not be switched-on/off frequently, the implementation of a KAL is not envisaged.

5.10 CONNECTORS, HARNESS, GROUNDING, BONDING

5.10.1 Connectors

Compliant with section 5.10 of IID-A.

5.10.2 Harness

5.10.2.1 S/C Harness

The S/C harness provides the interconnection between the instrument and two other subsystems i.e. the Power subsystem and the Command and Data Management System.

The harness is supplied through the S/C Contractor.

On the instrument side, pin functions are specified in Annex A to this document.

5.10.2.2 Instrument Harness

The “warm” harness i.e. the interconnect harness between the FSDRC and FSDPU will be delivered by the instrument team, manufactured to agreed requirements as specified in the IID-A section 5.10.2.2

Pin functions and wiring characteristics are specified in Annex A to this document.

The Contractor will specify length and routing as soon as an SVM lay-out is available. A Configuration Drawing will be included under item 5.4 of the IID-B.

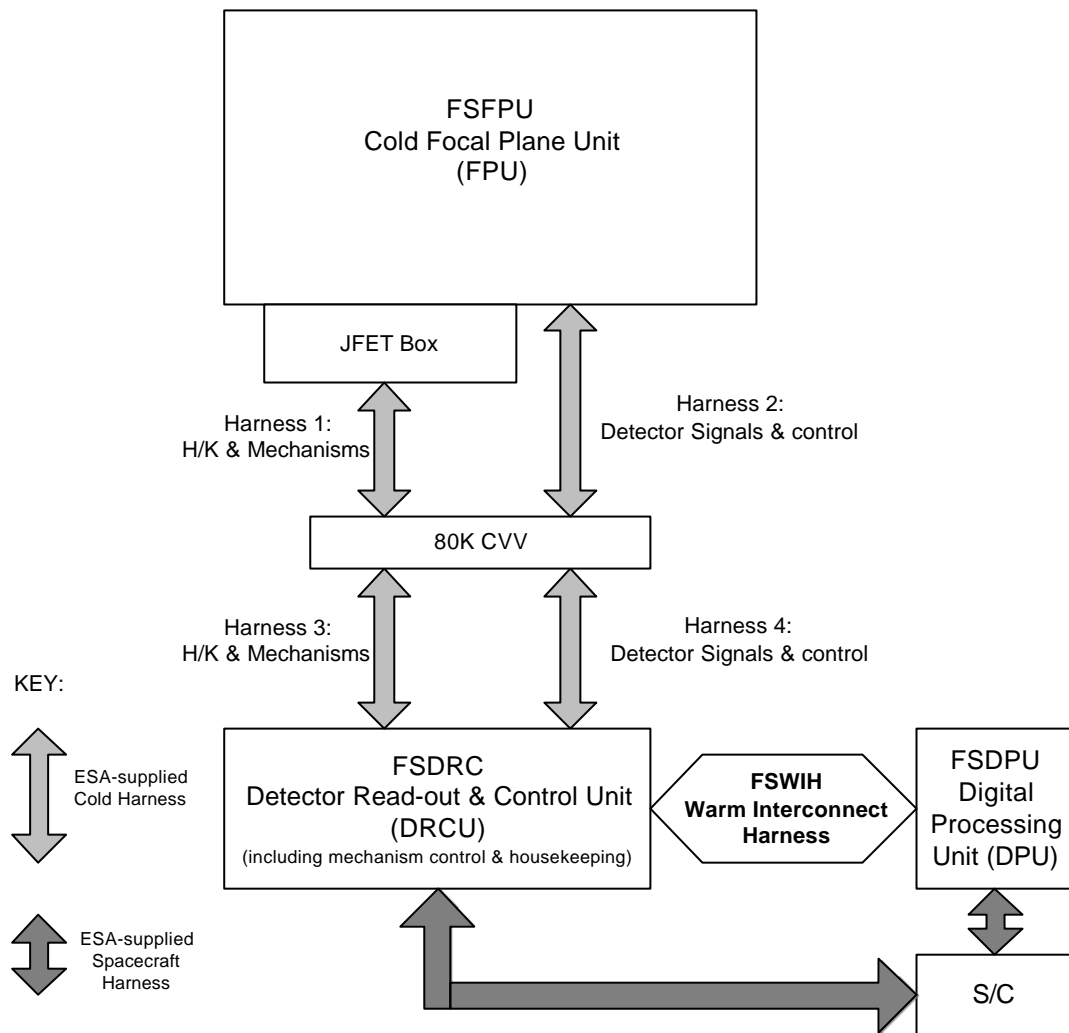
5.10.2.3 Cryo Harness

The cryo harness, interconnecting the FSFTB and FSFPU to 300 K, will be delivered through the S/C Contractor, manufactured to agreed requirements.

The cryo harness interconnecting the cold instrument parts is considered part of the instrument and therefore to be manufactured by the instrument teams.

Pin functions are specified in Annex A to this document.

The block diagram shows the cryo harness routing between the various interface levels, whilst the tables show the cryo harness compositions for the 4.3- to 15 K and the 15- to 300 K interfaces.



IID-B block7

Figure 5.10-1: SPIRE block diagram

SPIRE cryo-harness list for Level 1 (FSFPU) to CVV 80-K Feedthrough

1: Housekeeping and Mechanisms

ID	Instrument: SPIRE Level 1 to Level 2 Signal definition	Name	No. of Cond.	No. of shields	Max. allowed impedances			Current (A)	Duty Cycle (t*T)	Max. Line Volt (V)
					R (Ω)	C(F)	L(H)			
21	0.3- K therms. (10)	TH-300	40	10	1000			1.0E-5	1 * 1/3	TBD
22	2- K therms (2)	TH-2	8	2	1000			1.0E-5	1 * 1/3	TBD
23	4- K therms (2)	TH-4	8	2	1000			1.0E-5	1 * 1/3	TBD
24	N.A.									
25	FTS temp. sensors	F_Temp	8	2	1000			1.0 E-5	1 * 1/3	TBD
26	FTS pos. sensor (main)	F_Posn_M	16	1	1000			5.0 E-4	1 * 1/3	TBD
27	FTS pos. sensor (red)	F_Posn_R	16	1	1000			5.0 E-4	0	TBD
28	FTS drive coils (main)	F_Drive_M	2	1	5			8.0 E-4	1 * 1/3	TBD
29	FTS drive coils (red)	F_Drive_R	2	1	5			8.0 E-4	0	TBD
W	FTS coils voltage (main)	F_Coil_M	2	1	1000			1.0 E-5	1 * 1/3	TBD
X	FTS coils voltage (red)	F_Coil_R	2	1	1000			1.0 E-5	0	TBD
Y	FTS home & limit switches (main)	F_Swich_M	12	1 (TBC)	1000			1.0 E-3	1 * 1/3	TBD
Z	FTS home & limit switches (red)	F_Switch_R	12	1 (TBC)	1000			1.0 E-3	0	TBD
A	FTS launch latch (main)	F_Latch_M	2	0 (TBC)	10 (TBC)			TBD		TBD
B	FTS launch latch (red)	F_Latch_R	2	0 (TBC)	10 (TBC)			TBD		TBD
36	Pump therm. (red.)	PT_R	4	1	1000			1.0E-5	1 * 1/3	TBD
37	Evap. therm. (main)	ET_M	4	1	1000			1.0E-5	1 * 1/3	TBD
38	Evap. therm. (red.)	ET_R	4	1	1000			1.0E-5	1 * 1/3	TBD
39	Pump heat SW heater (main)	PHSWH_M	2	0	10 TBC			2.0E-3	0.96 * 1/3	TBD
40	Pump heat SW heater (red.)	PHSWH_R	2	0	10 TBC			0.0E+0	0	TBD
41	Evap. heat SW heater (main)	EHSWH_M	2	0	10 TBC			2.0E-3	0.04 * 1/3	TBD
42	Evap. heat SW heater (red.)	EHSWH_R	2	0	10 TBC			0.0E+0	0	TBD
43	Pump heat SW therm. (main)	PHSWT_M	4	1	1000			1.0E-5	1 * 1/3	TBD
44	Pump heat SW therm. (red.)	PHSWT_R	4	1	1000			1.0E-5	1 * 1/3	TBD
45	Evap. heat SW therm. (main)	EHSWT_M	4	1	1000			1.0E-5	1 * 1/3	TBD
46	Evap. heat SW therm. (red.)	EHSWT_R	4	1	1000			1.0E-5	1 * 1/3	TBD
47	BSM chop drive Coil (main)	CH_DR_M	4	1	5			2.5E-3	0.5 * 1/3	TBD
A	BSM jiggle drive Coil (main)	JI_DR_M	4	1	5			2.5E-3	0.5 * 1/3	TBD
48	BSM chop drive Coil (red.)	CH_DR_R	4	1	5			2.5E-3	0.5 * 1/3	TBD
B	BSM jiggle drive Coil (red.)	JI_DR_R	4	1	5			2.5E-3	0.5 * 1/3	
49	BSM chop pos. sense (main)	CH_PS_M	5	1	1000			1E-3	0.5 * 1/3	TBD
C	BSM jiggle pos. sense Coil (main)	JI_PS_M	5	1	1000			1E-3	0.5 * 1/3	TBD
50	BSM chop pos. sense Coil (red.)	CH_PS_R	5	1	1000			0.0E+0	0	TBD
D	BSM jiggle pos. sense Coil (main)	JI_PS_R	5	1	1000			1E-3	0.5 * 1/3	TBD

ID	Instrument: SPIRE Level 1 to Level 2 Signal definition	Name	No. of Cond.	No. of shields	Max. allowed impedances			Current (A)	Duty Cycle (t*T)	Max. Line Volt (V)
					R (Ω)	C(F)	L(H)			
51	BSM them (main)	CH_T_M	4	1	1000			1.0E-5	1 * 1/3	TBD
52	BSM them (red.)	CH_T_R	4	1	1000			1.0E-5	1 * 1/3	TBD
E	BSM Launch Latch (main)	CH_LL_M	2	0	10			TBD	0	TBD
F	BSM Launch Latch (red)	CH_LL_R	2	0	10			TBD	0	TBD
59	Phot BB therms (2)	P_BBC_T	8	2	1000			1.0E-5	1 * 1/3	TBD
	Total		224	43						

SPIRE cryo-harness list for Level 2 (FSFTB) to 80-K CVV feedthrough

2 : Detector Signals and control

ID	Description	Name	No. of Conductors	No. of Shields	Max. Allowed Impedances			Current (A)	Duty Cycle (t*T)	Max Volts (V)
					R ()	C (F)	L(H)			
1	P250 Sig	P250S	306	153 STP +14 common shields	200	1000pF	0.08	1n	1 * 1/3	0.1
2	P350 Sig	P350S	184	92 STP +8 common shields	200	1000pF	0.08	1n	1 * 1/3	0.1
3	P500 Sig	P500S	96	48 STP +4 common shields	200	1000pF	0.08	1n	1 * 1/3	0.1
4	S250 Sig	S350S	84	42 STP + 4 common shields	200	1000pF	0.08	1n	1 * 1/3	0.1
5	S350 Sig	S350S	48	24 STP + 2 common shield	200	1000pF	0.08	1n	1 * 1/3	0.1
6	Det. Bias	BIAS	20	10 STP +1 common shield (TBC)	1k	1000pF	0.08	1u	1 * 1/3	0.1
7	JFET Power	JFETP	64	32 STP + 1 common shield	100	1000pF	0.08	3m	0.3 * 1/3	10
8	TC Bias	TBIAS	6	3 STP + 1 common shield	1k	1000pF	0.08	1u	1 * 1/3	1
9	TC Sig	TSIG	12	6 STP TBC + 1 common shield	200	1000pF	0.08	1n	1 * 1/3	0.1
10	JFET heater	JFETH	24	12 STP	200	1000pF	0.08	6m	TBD (very low)	10
11	TC Heater	THTR	4	2 STP	200	1500pF	0.12	100 u	1	1

	Totals	848	424 STP +36 Common shields						
ID 12 - 20 not used									

Lowest Mechanical resonance of cable harness should be greater than 1kHz.

SPIRE cryo-harness list for CVV to 300 K SVM

3: Housekeeping and mechanism control

ID	Instrument: SPIRE 15-K to 300-K interface Signal definition	Name	No. of Cond.	No. of shields	Max. allowed Impedances			Current (A)	Duty Cycle (t*T)	Max. Line Volt (V)
					R (Ω)	C (F)	L(H)			
21	0.3- K therms. (5)	TH-300	20	5	1000			1.0E-5	1 * 1/3	TBD
22	2- K therms (2)	TH-2	8	2	1000			1.0E-5	1 * 1/3	TBD
23	4- K therms (2)	TH-4	8	2	1000			1.0E-5	1 * 1/3	TBD
24	15- K therms (2)	TH-15	8	2	1000			1.0E-5	1 * 1/3	TBD
25	FTS temp. sensors	F_Temp	8	2	1000			1.0 E-5	1 * 1/3	TBD
26	FTS pos. sensor (main)	F_Posn_ _M	16	1	1000			5.0 E-4	1 * 1/3	TBD
27	FTS pos. sensor (red)	F_Posn_ _R	16	1	1000			5.0 E-4	0	TBD
28	FTS drive coils (main)	F_Drive _M	2	1	5			8.0 E-4	1 * 1/3	TBD
29	FTS drive coils (red)	F_Drive _R	2	1	5			8.0 E-4	0	TBD
W	FTS coils voltage (main)	F_Coil_ _M	2	1	1000			1.0 E-5	1 * 1/3	TBD
X	FTS coils voltage (red)	F_Coil_ _R	2	1	1000			1.0 E-5	0	TBD
Y	FTS home & limit switches (main)	F_Swich _M	12	1 (TBC)	1000			1.0 E-3	1 * 1/3	TBD
Z	FTS home & limit switches (red)	F_Switc h_R	12	1 (TBC)	1000			1.0 E-3	0	TBD
A	FTS launch latch (main)	F_Latch _M	2	0 (TBC)	10 (TBC)			TBD		TBD
B	FTS launch latch (red)	F_Latch _R	2	0 (TBC)	10 (TBC)			TBD		TBD
36	Pump therm. (red.)	PT_R	4	1	1000			1.0E-5	1 * 1/3	TBD
37	Evap. therm. (main)	ET_M	4	1	1000			1.0E-5	1 * 1/3	TBD
38	Evap. therm. (red.)	ET_R	4	1	1000			1.0E-5	1 * 1/3	TBD
39	Pump heat SW heater (main)	PHSWH _M	2	0	10 TBC			2.0E-3	0.96 * 1/3	TBD
40	Pump heat SW heater (red.)	PHSWH _R	2	0	10 TBC			0.0E+0	0	TBD
41	Evap. heat SW heater (main)	EHSWH _M	2	0	10 TBC			2.0E-3	0.04 * 1/3	TBD
42	Evap. heat SW heater (red.)	EHSWH _R	2	0	10 TBC			0.0E+0	0	TBD
43	Pump heat SW therm. (main)	PHSWT _M	4	1	1000			1.0E-5	1 * 1/3	TBD
44	Pump heat SW therm. (red.)	PHSWT _R	4	1	1000			1.0E-5	1 * 1/3	TBD
45	Evap. heat SW therm. (main)	EHSWT _M	4	1	1000			1.0E-5	1 * 1/3	TBD
46	Evap. heat SW therm. (red.)	EHSWT _R	4	1	1000			1.0E-5	1 * 1/3	TBD
47	BSM chop drive	CH_DR_	4	1	5			2.5E-3	0.5 * 1/3	TBD

	Coil (main)	M								
A	BSM jiggle drive Coil (main)	JL_DR_ M	4	1	5			2.5E-3	0.5 * 1/3	TBD
48	BSM chop drive Coil (red.)	CH_DR_ R	4	1	5			2.5E-3	0.5 * 1/3	TBD
B	BSM jiggle drive Coil (red.)	JL_DR_ R	4	1	5			2.5E-3	0.5 * 1/3	
49	BSM chop pos. sense (main)	CH_PS_ M	5	1	1000			1E-3	0.5 * 1/3	TBD
C	BSM jiggle pos. sense Coil (main)	JL_PS_ M	5	1	1000			1E-3	0.5 * 1/3	TBD
50	BSM chop pos. sense Coil (red.)	CH_PS_ R	5	1	1000			0.0E+0	0	TBD
D	BSM jiggle pos. sense Coil (main)	JL_PS_ R	5	1	1000			1E-3	0.5 * 1/3	TBD
51	BSM them (main)	CH_T_ M	4	1	1000			1.0E-5	1 * 1/3	TBD
52	BSM them (red.)	CH_T_ R	4	1	1000			1.0E-5	1 * 1/3	TBD
E	BSM Launch Latch (main)	CH_LL_ M	2	0	10			TBD	0	TBD
F	BSM Launch Latch (red)	CH_LL_ R	2	0	10			TBD	0	TBD
59	Phot BB therms (2)	P_BBC_ T	8	2	1000			1.0E-5	1 * 1/3	TBD
	Total		212	40						

4: Detector Signals and control

ID	Description	Name	No. of Conductors	No. of Shields	Max. Allowed Impedances			Curren t (A)	Duty Cycle (t*T)	Max Volts (V)
					R (Ω)	C (F)*	L(H)*			
1	P250 Sig	P250S	288	144 STP + 12 common shields	100	1500 pF	0.12	1n	1 * 1/3	0.1
2	P350 Sig	P350S	184	92 STP + 8 common shields	100	1500 pF	0.12	1n	1 * 1/3	0.1
3	P500 Sig	P500S	96	48 STP + 4 common shields	100	1500 pF	0.12	1n	1 * 1/3	0.1
4	S250 Sig	S250S	84	42 STP + 4 common shields	100	1500 pF	0.12	1n	1 * 1/3	0.1
5	S350 Sig	S350S	48	24 STP + 2 common shield	100	1500 pF	0.12	1n	1 * 1/3	0.1
6	Det. Bias	BIAS	20	10 STP + 1 common shield (TBC)	1000	1500 pF	-	1u	1 * 1/3	0.1
7	JFET Power	JFETP	64	32 STP	1000	1500 pF	-	1m	0.3 * 1/3	10
8	JFET Heater	JFETH	24	12 STP	200	1500 pF	-	1m	0.3 * 1/3	10
9	TC Bias	TBIAS	6	3 STP + 1 common shield	1000	1500 pF	-	1u	1 * 1/3	1

10	TC Sig	TSIG	12	6 STP + 1 common shield	100	1500 pF	0.12	1n	1 * 1/3	0.1
		Totals	830	415 STP + 33 Common shields						
	ID 11 - 20 not used									

*Detector Harness requires proper consideration of inductance and capacitance. Values are indicative and should be further evaluated with SPIRE during harness design.

Notes:

Allowed resistance values are at “operational temperatures” and assume that the cryostat harness will be at an average temperature of 45 K and the external harness at an average temperature of 190 K.

In column Duty cycle t= part of T in which signal is active; T= time for which SPIRE is in observe mode.

STP = Shielded Twisted Pair

From the instrument or OB connector to the CVV connector distance~2 m

From CVV to SVM distance between 3 and 5 m

Shields could be joined at the CVV feedthroughs in agreement with SPIRE.

5.1.3 Grounding

The grounding scheme is TBD.

5.1.4 Bonding

TBD

5.11 DATA HANDLING

5.11.1 Telemetry

5.11.1.1 Telemetry rate

The instrument produced “raw” housekeeping and science data rates, given for information purposes, are as follows:

Description	Data rate (kbps) (All TBC)
Housekeeping data rate (non-prime)	2.1
Housekeeping data rate (prime)	4.2
Science data rate: Photometer only	87
Science data rate: Spectrometer only	92
Science data rate: Parallel mode	10 (TBC)
Science data rate: Serendipity mode	87 (TBC)

Any increase in telemetry rate would have science benefits, as the detector frame rate could be increased making SPIRE more immune from any systematic 1/f noise.

5.11.1.2 Data-bus rate

For the purpose of possible (short duration) higher instrument data-rates the bus interconnecting the instrument and the Data-handling subsystem shall have the capability of handling a telemetry rate of > 200 kbps. This will allow for the rapid emptying of SPIRE on-board data storage units at the end of each observation, thus keeping overheads due to data transfer to a minimum.

5.11.1.3 Data Packets

The instrument is capable to buffer 10 seconds of data. In order to prevent data overflow in the SPIRE on-board data storage units, the S/C CDMS subsystem shall request packets at intervals of no more than 10 seconds (TBC).

5.11.2 S/C housekeeping

The S/C should be capable of monitoring the following instrument parameters every TBD minutes and provide a data packet with the results.

Voltages to instrument

Currents to instrument

Power status – i.e. which SPIRE units are on i.e. FSDPU and FSDRC.

Requested temperatures in Section 5.7.5.2.

5.11.3 Timing and synchronisation signals

The S/C shall provide SPIRE with a timing synchronisation at least once per 24 hours to allow synchronisation of the SPIRE and spacecraft clocks.

When using the telescope scan mode, the SPIRE instrument will require a “start of scan” indication to be sent be included in the telemetry with a timing precision of better than 5 milliseconds. This is required so that the SPIRE data can be correctly processed it is not required for the operation of the SPIRE instrument.

5.11.4 Telecommand

It is assumed that the observation schedule for each 24 hour period will be uplinked during the data transfer and commanding phase (DTCP). It is further assumed that the correct receipt of all SPIRE commands is verified by the S/C during the DTCP.

The maximum rate of sending command packets from the CDMS to the SPIRE instrument is less than 10 per second.

The maximum telecommand packet length is 256 octets.

5.11.5 Interface circuits

The interface between the SPIRE instrument DPU and the CDMS shall conform to MIL-STD-1553B.

The high-level packet transfer protocol is TBD.

5.12 ATTITUDE AND ORBIT CONTROL/POINTING

5.12.1 Attitude and orbit control

The SPIRE instrument has the following pointing modes:

- Peak up mode. The ACMS pointing ability quoted in the IID-A (3.7 arcsec APE – see also section 5.12.2) will not be good enough to prevent unacceptable signal loss when observing point sources with the photometer or spectrometer.

The SPIRE beam steering mirror will be used to perform a cruciform raster over the observation target and the offset between the required pointing and the actual pointing of the telescope will be provided via an ACMS Data Packet from the SPIRE instrument to the S/C. The S/C will then adjust the pointing accordingly.

- Nodding mode. If the telescope temperature stability time constant proves to be short compared with a typical pointed observation with SPIRE; then the telescope must be capable of being pointed to another fixed position on the sky between **10** arcsec and **4** arcmin from the original pointing in an arbitrary direction with respect to the spacecraft axes. The settling time at each re-pointing must be less than 10 seconds
- Line scan mode. To map large areas of the sky, the telescope must be capable of being scanned up to **20** degrees at a constant rate in an arbitrary orientation with respect to the spacecraft axes. The rate of scan must be variable between 0.1 arcsec/sec and 60 arcsec per second. It is expected that the RPE will be maintained in the orthogonal direction during the scan. The S/C must be capable of reaching any scan speed up to the maximum within 20 seconds of the observation commencing.
- Raster mode. To finely sample the SPIRE FOV the instrument beam steering mirror will be used to step the FOV across the sky in an arbitrary direction. The step size will be between 1.7 arcsec and 30 arcsec. The beam steering mirror can also be used to chop a portion of the SPIRE FOV at a rate up to **2 Hz**.

In the event of a failure in this sub-system the S/C will be used in raster mode to sample the FOV. This is acknowledged to be much less efficient than using the internal beam steering mirror. The spacecraft must, nevertheless, be capable of providing a rectangular raster with steps of between 1.7 and 30 arcsec in any arbitrary orientation with respect to the S/C axes.

To map extended regions using the spectrometer, the SPIRE instrument will use

the telescope Normal Raster Mode. The instrument may perform fine sampling of each raster pointing using the internal beam steering mirror.

5.12.2 Pointing

The SPIRE instrument requires an absolute pointing error of better than 1.5 arcsec r.m.s. (TBC), and a relative pointing error of better than 0.3 arcsec r.m.s. per minute. This is achieved by the peak up mode in case the pointing goal values are not fully achieved by the S/C.

5.12.3 On-Target Flag (OTF)

For pointed observations it is assumed that an on target flag will be provided through the telemetry with a timing precision of better than 0.1 seconds (TBC). This is required for the correct processing of the SPIRE data on the ground, it is not required for SPIRE operations.

(Note: inconsistent with IID-A)

5.13 ON-BOARD HARDWARE/SOFTWARE AND AUTONOMY FUNCTIONS

5.13.1 On-board hardware

There is a single on-board computer in the SPIRE FSDPU. Only the FSDPU has on-board software.

5.13.2 On-board software

It is assumed that the SPIRE warm electronics will be left on during all operational phases. The instrument on-board software will thus be preserved in the FSDPU. If the FSDPU is switched off for any reason on-board software must be reloaded during the DTCP before SPIRE operations can recommence.

No single instrument command nor any sequence of instrument commands will constitute a hazard for the instrument

5.13.3 Autonomy functions

The S/C must be capable of automatic monitoring all SPIRE Spacecraft Housekeeping parameters, i.e. the parameters listed in section 5.11.2, when the S/C is not in ground contact.

The S/C must also be capable of monitoring certain SPIRE Instrument Housekeeping parameters provided to it via "Housekeeping Data" packets from the SPIRE DPU – see 5.13.4.

The S/C must be capable of taking predefined action – e.g. switching off the power to the SPIRE instrument – when an error or hard limit is detected in either the SPIRE S/C Housekeeping or the SPIRE Instrument Autonomous Housekeeping parameters.

The S/C must be capable of receiving and interpreting SPIRE “Event Data” packets that will alert the S/C of errors or hard limits detected by the SPIRE DPU autonomy monitoring software. Again the S/C must be capable of taking the appropriate pre-defined action on detecting an error alert in the SPIRE Event Data.

5.13.4 Instrument Autonomy Housekeeping Packet Definition

TBD

5.13.5 Instrument Event Packet Definition

TBD

5.14 EMC

5.14.1 Conducted Emission/Susceptibility

TBD

5.14.2 Radiated Emission/Susceptibility

TBD

5.14.3 Frequency Plan

TBD

5.15 Transport and Handling Provisions

5.15.1 Focal Plane Unit

5.15.1.1 Transport Container

The SPIRE FPU (FSFPU) will be transported in a clean hermetically sealed container to be opened only in class 100 clean conditions (TBC) with less than 50% humidity (TBC).

The maximum shock the FSFPU can sustain in any direction is (TBD). The transport container is fitted with shock recorders and internal humidity monitors. The FSFPU transport container is shown in figure TBD.

5.15.1.2 Cooling and Pumping restrictions

During cryostat warm-up or cool-down phases the rate of temperature change dT/dt shall not exceed 10 K/hour (TBC). The rate of depressurisation/pressurisation dP/dt shall not exceed 50 mBar/minute (TBC).

5.15.1.3 Mechanism positions

For reasons of possible damage caused by vibration during transport, environmental testing and launch, mechanisms shall be placed in the TBD position. This position is shown in table TBD.

5.15.1.4 Unpacking Procedure

The procedure for removing and installing the FSFPU from its transport container is given in document TBW

5.15.2 JFET/Filter Box

5.15.2.1 Transport Container

The SPIRE JFET/Filter Box (FSFTB) will be transported in a clean hermetically sealed container to be opened only in class 100 clean conditions (TBC) with less than 50% humidity (TBC).

The maximum shock the FSFTB can sustain in any direction is (TBD). The transport container is fitted with shock recorders and internal humidity monitors. The FSFTB transport container is shown in figure TBD.

5.15.2.2 Unpacking Procedure

The procedure for removing and installing the FSFTB from its transport container is given in document TBW

5.15.3 Electronics Units

5.15.3.1 Transport Container

The SPIRE warm electronics units (FSDRC; FSDPU; FSWIH) will be transported in clean hermetically sealed containers to be opened only in class 10000 clean conditions (TBC) with less than 75% humidity (TBC).

The maximum shock any of the warm electronics units can sustain in any direction is (TBD). The transport containers are fitted with shock recorders and internal humidity monitors. The SPIRE warm electronics transport containers are shown in figure TBD.

5.15.3.2 Unpacking Procedure

The procedures for removing and installing the SPIRE from warm electronics units their transport containers are given in document TBW

5.16 DELIVERABLE ITEMS

5.16.1 Instrument Models

The model philosophy to be adopted for the AIV of the FIRST bolometer instrument will be in accordance with the requirements of the FIRST IID part A. The instrument models to be produced are:

AVM – Avionics Model. “...to validate electronics and software for its interface with the S/C, including anything that exchanges information with, for example, the AOCS. In addition all tasks relevant to SPIRE autonomy shall be verified.”

We have interpreted this as being a DPU plus a simulator of the DRCU and cold FPU – this is termed the DRCU Simulator. As the schedule demands that this model will be delivered almost simultaneously with the CQM we intend using the CQM DPU plus a DRCU simulator as the AVM.

CQM - Cryogenic Qualification Model. For both the cold FPU and the warm electronics it is assumed that this is built to flight standards, but not necessarily using flight quality electronic components. The performance capabilities of the instrument may be less than the proto-flight model - i.e. fewer pixels in the focal plane arrays, but it will mimic as exactly as possible the thermal, electrical and mechanical properties of the flight instrument and will be capable of under going the full environmental qualification programme

PFM – Proto-Flight Model. This will be the instrument model that is intended for flight. It will be built to full flight standards and will only have minor differences in thermal, electrical and mechanical properties to the CQM. It will have the same mechanical, thermal and electrical interfaces to the satellite as the CQM but, may, however, have minor internal design changes compared to the CQM. For instance the bolometer arrays may have many more pixels. The PFM will therefore undergo environmental test to qualification levels for acceptance times (**TBD**) - this applies to both the warm electronics boxes and the cold FPU

FS – Flight Spare. The flight spare cold FPU will be made from the refurbished CQM (TBC). The flight spare warm electronics will consist of spare electronics cards.

5.16.2 Electrical Ground Support Equipment (EGSE)

Electrical Ground Support Equipment (EGSE) will be needed to provide SPIRE instrument level monitoring during instrument integration with the S/C and system level testing.

Deliverables:

- FPU electrical simulator, including simulation of the FSFTB, to enable integration of the FSDRC; FSDPU and FSWIH
- TBD EGSE for integration of the FSFPU
- Quick Look Facility to enable testing of the instrument at system level. This will interface to the S/C test environment via FINDAS.

5.16.3 Mechanical Ground Support Equipment (MGSE)

MGSE is required to ensure safe handling of all instrument components during assembly integration and test procedures.

Deliverables:

- Transport containers
- Instrument to cryostat integration jigs/equipment
- Plus TBD

5.16.4 Optical Ground Support Equipment (OGSE)

OGSE is required to carry out alignment procedures with the telescope.

Deliverables:

- Instrument optics primary alignment and alignment verification jigs/equipment
- Plus TBD

5.16.5 System Test Software

Will be based on the Quick Look Facility - computers and software that allow the monitoring in near real time of the instrument housekeeping parameters and instrument data. This is the basic facility to be used for the ICC operations monitoring for the monitoring of the instrument in-orbit. The same facility with enhanced capabilities will be used for the ground tests and in-orbit check out of the instrument.

5.16.6 Hardware for the Observatory Ground Segment

Quick Look Facility for the Mission Operations Centre for instrument in-flight commissioning. This will consist of TBD workstations etc....and is identical to the system used for system level testing.

5.16.7 Software for the Observatory Ground Segment

The software for the Quick Look Facility will be delivered to the MOC for instrument in-flight commissioning.

Plus TBD.

5.16.8 Instrument Software Simulator

TBD

5.16.9 Test Reference Data

The SPIRE instrument test reference data will be delivered via FINDAS in the TBD form generated during instrument and system level testing.

5.16.10 Instrument Characterisation Data

The SPIRE instrument characterisation data will be delivered via FINDAS in the TBD form generated during instrument and system level testing.

5.16.11 Technical Documentation

The following documents will be delivered:

- Instrument User Manual following the requirements laid down in the OIRD (AD2)
- Instrument database – this will be delivered via FINDAS in the TBD form generated during instrument and system level testing.
- Each instrument model will be delivered with an Acceptance Data Package consisting of TBD.

6 GROUND SUPPORT EQUIPMENT

6.1 MECHANICAL GROUND SUPPORT EQUIPMENT

TBD

6.2 ELECTRICAL GROUND SUPPORT EQUIPMENT

In agreement with all the other instruments of FIRST/Planck the SPIRE EGSE will be implemented using SCOS2000.

In order to achieve the benefits of smooth transition between different mission phases and maximum reuse of resources, this system will also be used during instrument-level testing, system level tests and in the operational phases of the mission. In particular, the interface between the EGSE and the MOC during the Commissioning and Performance Verification phases (and, for FIRST only, contingency activities during the normal operations phase) will be the same as that between the EGSE and the CCE. This interface, concerning telemetry, telecommanding, the instrument database and procedures will follow the standard defined by SCOS 2000 i.e.

Telemetry:

The SPIRE EGSE will be supplied with all telemetry packets from the satellite (or its simulator) in real time.

This telemetry interface will conform to the SCOS2000 telemetry ICD (ref: TBD).

Telecommanding:

The SPIRE EGSE will not require any commanding capability through the CCE. *Instrument commanding will be implemented in the CCE in line with the methods of operation of the MOC.*

Databases:

SPIRE will deliver the instrument database to the Prime Contractor through the standard SCOS2000 database interface mechanism (ref: TBD).

SPIRE expects the Prime Contractor to deliver the full satellite database through the same interface. *This will allow checking of the correct implementation of the instrument database in the satellite database and allow the display and monitoring of S/C parameters during tests/operations at the system level.*

Test procedures:

Test procedures, including command sequences, will be delivered in an agreed format (e.g. flow diagrams and descriptions) to the Prime Contractor who will be responsible for their implementation in the CCE.

Archive data:

It shall be possible to retrieve test data from the CCE off-line.

6.3 COMMONALITY

Taking into account that it is a fundamental design goal of the FIRST/Planck mission that commonality should be pursued to the maximum extent possible, the FIRST instrument teams have been actively engaged in investigating such possibilities.

6.3.1 EGSE

It has been agreed that a common EGSE system could be developed as a collaborative effort between instrument groups.

In addition, it has been agreed that this system would be applicable at various times during all the phases of the mission listed below:

- Subsystem Level Testing
- Instrument Level Testing
- Module and System Level Testing
- In-orbit instrument commissioning
- Performance Verification
- Routine operations

In the interests of minimising the cost and maximising the reliability of such a system through the different phases the EGSE will:

- be based on SCOS 2000 – this system will be used in the ground segment by the MOC for controlling the satellite. The cost of the system (essentially free), its proven use in similar situations for other space projects and the support provided by ESOC, contribute to a cheaper and more reliable system.
- use the same interfaces between the EGSE and other systems, in order to improve reliability through reuse throughout the mission.
- Provide a constant implementation of the
 - Man Machine Interfaces
 - Data Archiving and Distribution facilities
 - On-board Software Management
 - On-board Maintenance (e.g. Software Development Environment, Software Validation Facility)
- Common User Language (for Test procedures and in-orbit operations)

6.3.2 INSTRUMENT CONTROL AND DATA HANDLING

All three FIRST instruments are using the same supplier (IFSI) for their on-board control and data handling hardware and software systems, which interface to the spacecraft. This has ensured commonality in the areas of;

- on-board microprocessors
- instrument internal interfaces
- On-board Programming language

- Software Development Environments
- Software Validation Facilities

In addition, the on-board software provides commonality in its non instrument-specific functions. A common instrument commanding scheme has also been agreed and will be implemented by the instrument teams.

6.3.3 OTHER AREAS

Other areas of possible commonality will be addressed by working groups set up as and when necessary. These may cover:

- Follow up on FINDAS activities
- A common approach to IA/QLA systems

7 INTEGRATION, TESTING AND OPERATIONS

Information in this chapter covers all instrument-related activities after the acceptance of the instruments by ESA and handover to the Contractor.

7.1 Integration

Procedures detailing the individual integration steps will be prepared and reviewed in due time.

7.1.1 FPLM Integration

It is anticipated that the SPIRE Focal Plane Unit (FSFPU) and the SPIRE JFET box (FSFTB) will be integrated separately onto the FIRST optical bench. Electrical and RF-shield connections (TBD) will be made between the boxes after mechanical integration with the FIRST optical bench.

This applies to both the CQM and PFM units.

7.1.2 PPLM Integration

NA

7.1.3 SVM Integration

TBD

7.1.4 FIRST/Planck Integration

TBD

7.2 Testing

After completion of the integration, be it at the level of the FPLM, PPLM, SVM or FIRST/Planck, a series of verification tests will be carried-out.

Each test will be defined in detail in a test procedure to be written by the Contractor, based on instrument group inputs. It will be reviewed and approved by the FIRST/Planck project group.

7.2.1 CQM Testing

Overview

The detailed system level test procedures for the SPIRE CQM are TBW. An indication of the type of testing anticipated for the SPIRE CQM is given below:

- FPU integration procedures
- Optical alignment procedures
- Integration with CCE
- Test of checkout procedures to be done for PFM
- Test of parallel operation with PACS
- Functional checks using standard test procedures
- Thermal balance tests under representative conditions. This will include cooler recycle and some mechanism operations.

Test switching sequences between all modes. Check length of time required to change modes – including waiting for thermal environment to stabilise.
 Test thermal dissipation in each “operating mode”.
 Straylight checks with GSE fitted or with final shield blanked off. This is an extreme test as the other shields will be at higher temperatures than expected in flight.
 EMC test of conducted susceptibility only.

Test Environment

In order to carry out these tests the SPIRE instruments expects the CQM test environment to be as follows:

The cryostat will give flight representative temperatures at thermal interfaces. Under nominal conditions it is expected that the cryostat will have a large gas flow with the CVV at ambient temperature – the heat lift will therefore be greater than expected in space. A configuration should be made possible to allow a gas flow nearer to that expected in-flight.

The cryostat shields will be warmer – possibly much warmer than flight.

The radiation environment will not be representative without some GSE in place. Notably the cryostat lid will be at a minimum of ~300 K

A configuration with the final radiation shield blanked off is being considered – this will give a lower background than expected in space.

A representative telecommanding and data handling environment will be provided by the Prime Contractor/ESA and the Instrument will provide a quick look facility.

The nominal orientation of the cryostat means that the SPIRE FTS mechanism is in the wrong orientation and cannot be operated unless the cryostat is tilted through 90 degrees about the S/C Z-axis.

The cooler will not recycle unless the cryostat is tilted to at least 17 degrees about the S/C Z-axis.

Detailed Sequencing

Sequence	Duration [days]	Objective	Requirements	Remarks
Instrument Test SPIRE	3			
SPIRE Functional Test	~1.5			
1		SPIRE switch on procedure, including validation of connection between EGSE and instrument, memory load and dump		SPIRE will be switched to the ON mode
2		Validate function of FSDPU		At the end of this SPIRE will be switched to REDY mode

Sequence	Duration [days]	Objective	Requirements	Remarks
3		Validate function of FSDRCU		
4		Verify function of cooler thermistors and heaters		
5		Verify function of mechanisms (Shutter (if fitted); BSM; FTS - see note)	To operate the SPIRE FTS mechanism the cryostat will need to be tilted over to 90 degrees about the Z axis.	
6		Cooler recycle	To recycle the SPIRE cooler the cryostat will need to be rotated about the Z-axis by at least 17 degrees	
7		Verify function of bolometers, detector readouts, thermal control heaters and temperature sensors		To do this properly will require either the use of the PLM GSE; the use of the SPIRE internal shutter or blanking the final shield within the cryostat
8		Verify function of Calibration sources		
9		Verify SPIRE Autonomy functions		
10		Verify SPIRE to CDMS interfaces and telemetry rates		This to include S/C switching SPIRE to SAFE mode in event of an anomaly
11		Validation of SPIRE deactivation (=shut-down) procedure		SPIRE will be switched to OFF mode
SPIRE Performance Test	~1.5			
1		Validation of SPIRE activation sequence and switch to SPIRE ready Mode		Takes SPIRE from OFF to REDY
2		Cooler recycle	Cryostat needs to be orientated correctly - see above	
3		Validation of SPIRE switching to standby mode		SPIRE switched to standby

Sequence	Duration [days]	Objective	Requirements	Remarks
4		Switch SPIRE to photometer OBSERVE		SPIRE switched to one of the photometer observe modes and placed in most straylight sensitive condition - shutter closed?
5		Cryostat background measurement	This requires GSE or blanked off shield	
6		EMI tests		Test for induced noise from whatever source in quiescent conditions
7		Conducted susceptibility		Inject EMC through supply lines
8		Test SPIRE FSFPU thermal behaviour in photometer observe mode		Run through typical photometer observing sequence in most "thermally intensive" mode - this will include operation of calibrators and BSM.
9		Switch SPIRE to spectrometer OBSERVE	Cryostat needs to be orientated correctly (see above). Test of how long it takes to switch modes.	
10		Test SPIRE FSFPU thermal behaviour in spectrometer observe mode		Run through typical spectrometer observing sequence - this will include operation of calibrators.
SPIRE AOT Test				
1		Test SPIRE photometer POFs		Details TBD - generates test data sets for interface checks with FINDAS and processing software etc
2		Test SPIRE spectrometer POFs		Ditto
SPIRE/PACS parallel Operation				

Sequence	Duration [days]	Objective	Requirements	Remarks
1		SPIRE switched to standby mode PACS as prime instrument		Details TBD
SPIRE Shutdown				
1		SPIRE switched from standby to OFF		If all tests are done contiguously then this only need happen once. If not then will need to have appropriate shut down and start up sequences at the beginning of each test period.

Table 7.2-1: Outline test sequence for the SPIRE CQM integrated in the CQM PLM.

7.2.2 PFM Testing

The PFM system level test procedures for SPIRE are TBW. It is expected that they will be for instrument and system verification and validation purposes only as the CQM testing will have addressed all fundamental operational issues. The sequencing and test environment requirements for the PFM testing will be the same, or very similar (TBC), as for the CQM testing shown in table 7.2-1.

7.3 Operations

Covered in other applicable documentation as follows:

- AD 2 FIRST/Planck Operations Interface Requirements Document (OIRD)
- AD 3 FIRST Science-operations Implementation Requirements Document (FIRST-SIRD)

7.4 Commonality

The SPIRE system level integration and test programme is compatible with that laid out in the IID-A chapter 7.

8 PRODUCT ASSURANCE

The instrument will comply with the 'Product Assurance Requirements for FIRST/Planck Scientific Instruments' (AD5).

Details are to be found in SPIRE Product Assurance Plan (RD2).

9 DEVELOPMENT AND VERIFICATION

9.1 GENERAL

These are guidelines that will be followed in constructing the instrument AIV programme:

- The instrument will be fully tested in compliance with the satellite level AIV plans as set out in the IID part A and reference documents therein.
- The AIV flow will be designed to allow the experience gained on each model to be fed into both the design and construction of the next model and into the AIV procedures to be followed for the next model.
- A cold test facility to house the instrument will be constructed that will represent as nearly as possible the conditions and interfaces within the FIRST cryostat.
- The instrument Quick Look Facility and commanding environment will be the same or accurately simulate the in-flight environment to facilitate the re-use of test command scripts and data analysis tools during in-flight operations.
- The EGSE and instrument Quick Look Facility will interface to FINDAS.
- Personnel from the ICC will be used to conduct the instrument functional checkout to allow an early experience of the instrument operations and to facilitate the transfer of expertise from the ground test team to the in-flight operations team.
- A more detailed description of the system level AIV sequence is given in reference document RD4. This document will form the basis of the *FIRST SPIRE Instrument Test Plan*, which will provide the baseline instrument test plans and detailed procedures and will be submitted for ESA approval.
- Detailed procedures for the sub-system level AIV will be produced by all sub-system responsible groups.
- Sub-systems will undergo individual qualification or acceptance programmes before integration into the instrument.
- Sub-systems will be operationally and functionally checked at the appropriate level before integration into the instrument.

9.2 MODEL PHILOSOPHY

The model philosophy to be adopted for the AIV of the SPIRE instrument will be in accordance with the requirements of the FIRST IID part A. The instrument models to be produced are:

- AVM – Avionics Model.
- CQM - Cryogenic Qualification Model.

- PFM - Proto Flight Model.
- FS - Flight Spare.

See section 5.16.1 for more details

9.3 MECHANICAL VERIFICATION

TBD

9.4 THERMAL VERIFICATION

TBD

9.5 VERIFICATION OF SCIENTIFIC PERFORMANCE

TBD

9.6 ELECTRICAL TESTING

TBD

9.7 EMC TESTING

TBD

10 MANAGEMENT, PROGRAMME, SCHEDULE

All relevant information can be found in the SPIRE Management Plan, AD4.