



## Annex 9: System Interface drawings

### • **Herschel:**

Herschel Main Geometry	ME.HES.S000.A.002SA_E	(3 sheets)	(for information)
LSU ICD	ME.HES.114F.S.002SA_B	(1 sheet)	(Applicable for the position of the WG interface. An LSU ICD is available in HIFI IID-B)
LOU Wave-guides layout	ME.HES.A24J.S.001SA_C	(1 sheet)	(for information)
IF SVM/PLM – LOU Wave-Guides	ME.HES.A180.S.001SA_C	(2 sheets)	(for information)
Herschel Cryoharness IF on SVM (STM)	ME.HES.S14H.S.001SA_E	(6 sheets)	(for information)
Herschel Cryoharness IF on SVM FM	ME.HES.S14H.S.001FA_B	(sheet 5)	(for information)
FPBOLC free Areas for harness support	ME.HES.114H.S.001FA_A	(3 sheets)	(applicable)
HSDCU free Areas for harness support	ME.HES.114H.S.002FA_B	(2 sheets)	(applicable)
HSFCU free Areas for harness support	ME.HES.114H.S.003FA_A	(3 sheets)	(applicable)
FHLCU free Areas for harness support	ME.HES.114H.S.004FA_A	(3 sheets)	(applicable)
<u>DECMEC free Areas for harness support</u>	<u>ME.HES.114H.S.005FA_</u>	<u>(3 sheets)</u>	<u>(applicable)</u>

### • **Planck**

Planck Main Geometry	ME.PLS.S000.A.002SA_D	(3 sheets)	(For information)
20K Piping interface	ME.PLS.A14K.S.102SA_B	(4 sheets)	(Applicable)
4K piping interface	ME.PLS.A14K.S.104SA_B	(5 sheets)	(Applicable)
0.1K Piping interface	ME.PLS.A14K.S.101SA_B	(15 sheets)	(Applicable)
SCC accommodation & access	ME.PLS.A11F.S.001SA_F	(1 sheet)	(Applicable)
4K accommodation & access	ME.PLS.A140.S.011SA_E	(2 sheet)	(Applicable)
0.1K accommodation & access	ME.PLS.A140.S.010SA_E	(4 sheets)	(Applicable)
Stay-in Volume for PAU-REU harness	ME-PLS-A14H.S.001FA_B	(1 sheet)	(For Information)
Forbidden Zones for PAU-REU Hrn Accommodation	ME.PLS.A14H.S.002SA_	(1 sheet)	(Applicable)
EXTERNAL 0,1K PIPING	ME.PLS.A300.S.001FA_A	(1 sheet)	(Applicable)
4K CCU Shield (manufactured by ASP)			
• 4K CCU Shielding Bracket	ME.PLS.114F.A.101FA_D	(1 sheet)	(Applicable)
• 4K CCU Shielding Closing Cap + Y	ME.PLS.114F.A.102FA_D	(1 sheet)	(Applicable)
• 4K CCU Shielding Closing Cap - Y	ME.PLS.114F.A.103FA_B	(1 sheet)	(Applicable)
• 4K CCU Shielding Closing Cap + X	ME.PLS.114F.A.104FA_D	(1 sheet)	(Applicable)
• 4K CCU Shielding Closing Cap - X	ME.PLS.114F.A.105FA_B	(1 sheet)	(Applicable)

- 
- 4K CCU Shielding Tubing Closing Bracket ME.PLS.114F.A.106FA\_C (1 sheet)  
(Applicable)
  - 4K CCU Shielding Assembly Jig ME.PLS.1410.A.000FA\_\_ (1 sheet) (Applicable)

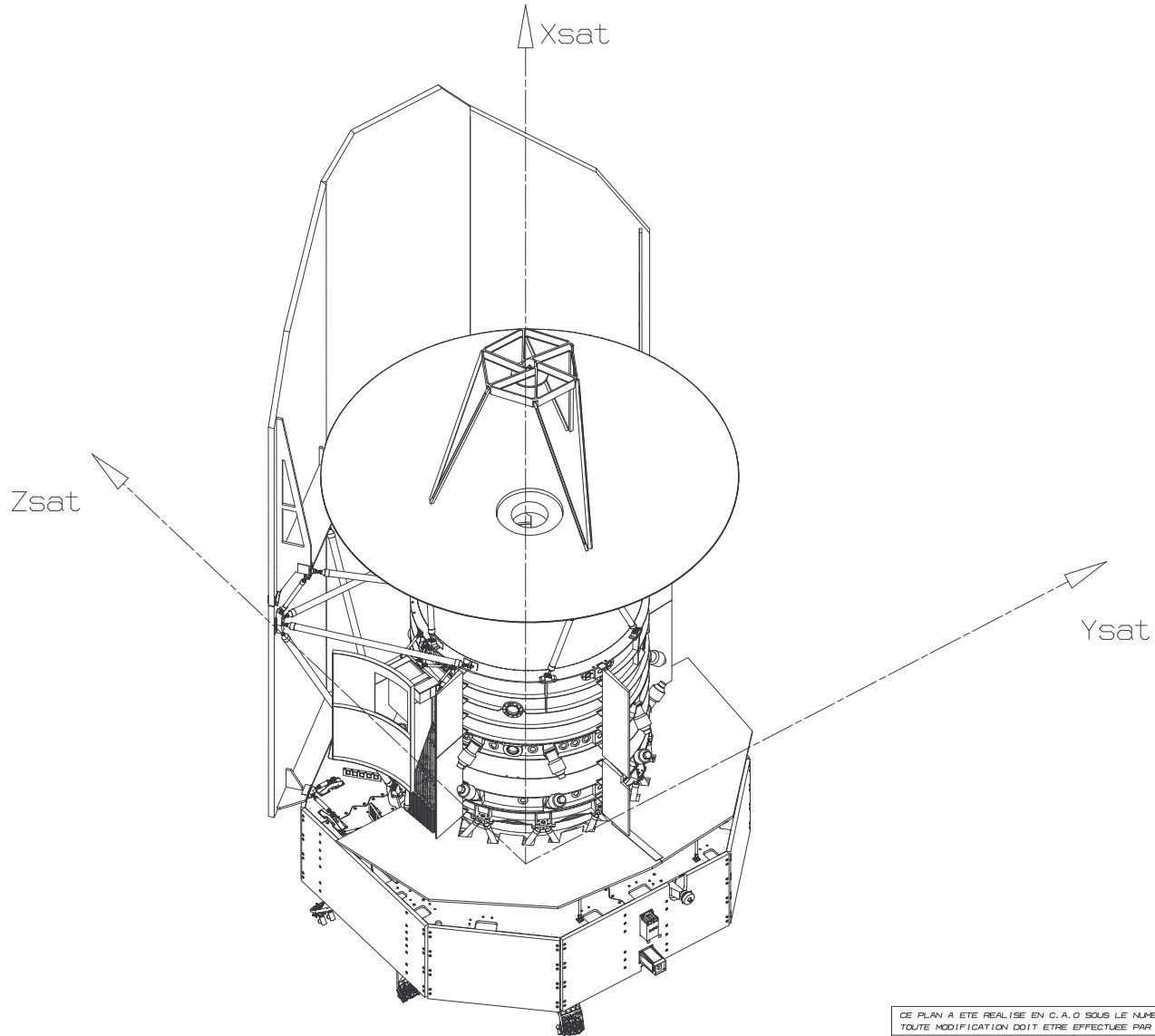


P O N M L K J I H G F E D C B A

**MODIFICATIONS**

Indice/Zones	Visa	Date	Verification	Origine
E	-	06/08/04	CLAVEL.P	-

SUN SHADE GEOMETRY UPDATE



CE PLAN A ETE REALISE EN C.A.O SOUS LE NUMERO : HE-HES.S000.A.002SA.E (DRAFT D1)					
TOUTE MODIFICATION DOIT ETRE EFFECTUEE PAR L'INTERMEDIAIRE DU SYSTEME CATIA					
PROTECTION	-	ETAT DE SURFACE ASN 003.06	MARQUAGE ASN 003.08	<input checked="" type="checkbox"/> ELEMENT	CRITIQUE
TOLERANCES GENERALES DE FABRICATION ASN 211.00 (normales) / 211.05 (extrêmes)			MICRONS SAUF <input checked="" type="checkbox"/> INDICATIONS CONTRAIRES		
VISAS DES SERVICES D'ETAT			<b>ALCATEL</b>		
CE DESSIN EST LA PROPRIETE DE alcatel ET NE PEUT ETRE REPRODUIT OU COMMUNIQUE SANS SON AUTORISATION.					
DES	BOFFELLI S.	LE 23/07/01	TITRE	<b>HERSCHEL MAIN GEOMETRY</b>	
VERIF	CLAVEL Ph.	LE 23/07/01			
CALCUL	-	LE -			
VISA	CLAVEL Ph.	LE 23/07/01			
ECHELLE	-	CODE DOC	REFERENCE	INDICE	PLANCHE
		20	F0278C	E	1/3

Visa PROJET:	Visa CONFIG:

DETROMPAGE	<input type="checkbox"/> OUI	<input type="checkbox"/> NON
IMPACT SUR PROCEDURE D'INTEGRATION	<input type="checkbox"/> OUI	<input type="checkbox"/> NON

CODE FORMAT

c111291 FRAME 1 AUGUST 19, 2004 13.06.06

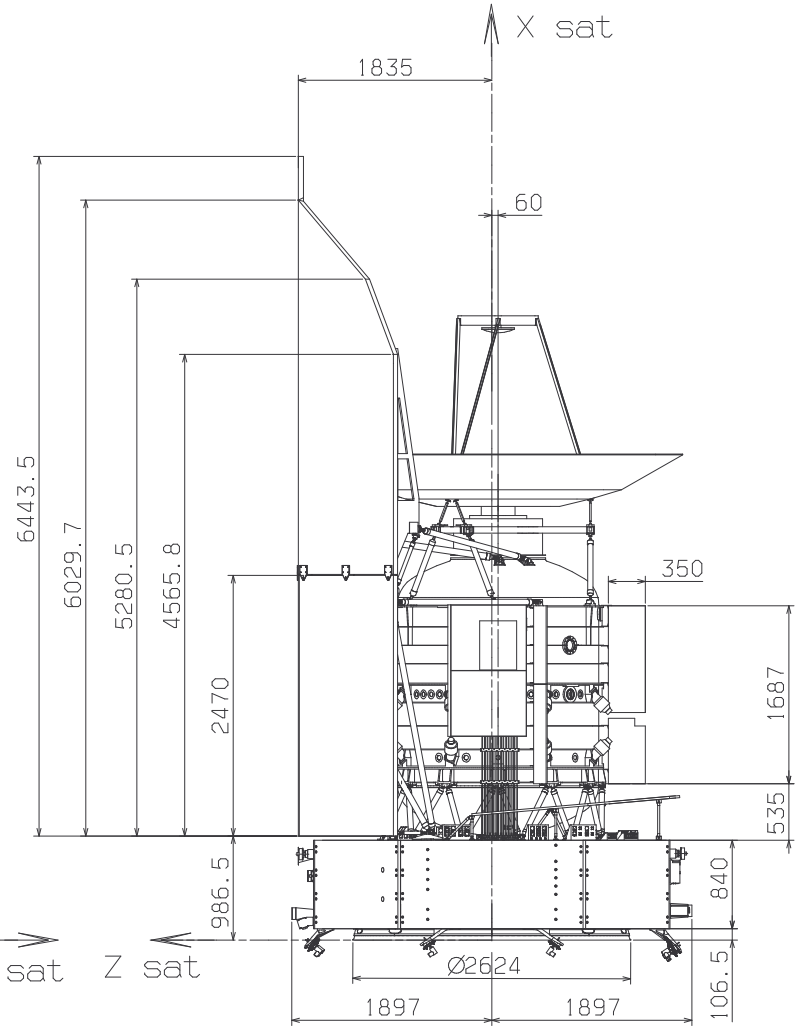
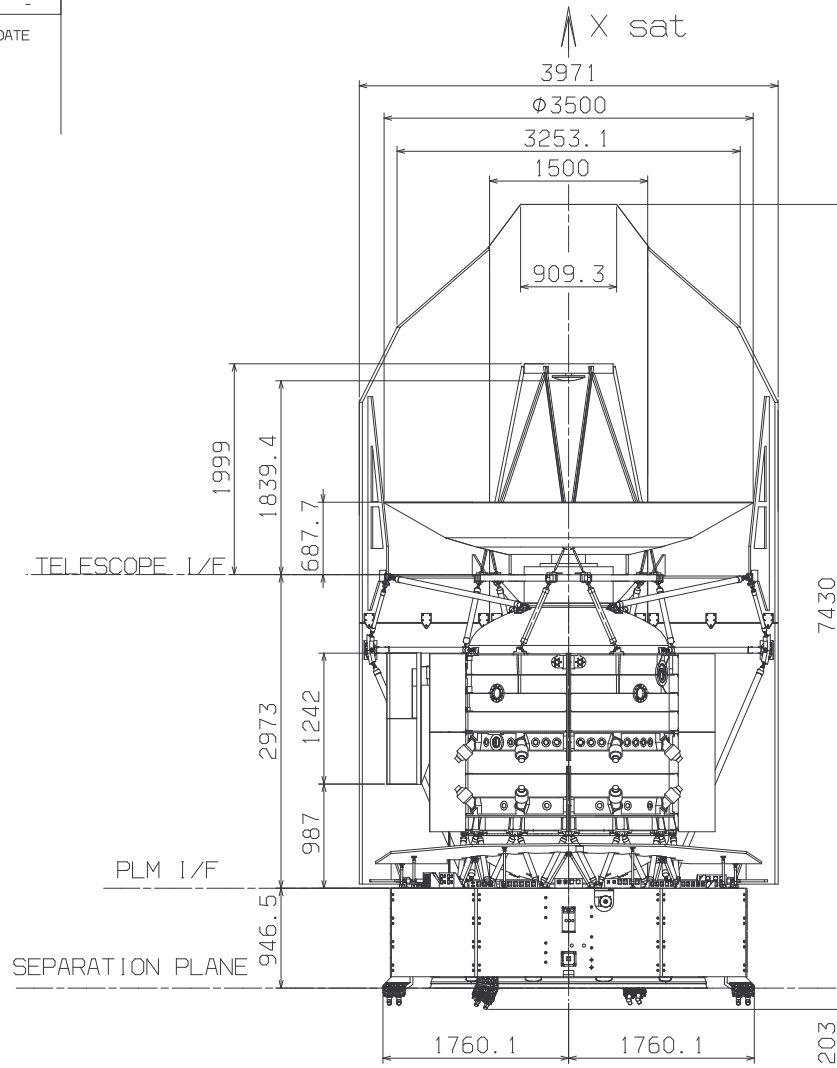
P O N M L K J I H G F E D C B A

P O N M L K J I H G F E D C B A

**MODIFICATIONS**

Indice/Zones	Visa	Date	Vérification	Origine
E -	BENET.E	18/08/04	CLAVEL.P	-

SUN SHADE GEOMETRY UPDATE



c111291 FRAME 1 AUGUST 19, 2004 13.07.02

Visa PROJET:	Visa CONFIG:
--------------	--------------

DETROMPAGE	<input type="checkbox"/> OUI <input type="checkbox"/> NON
IMPACT SUR PROCEDURE D'INTEGRATION	<input type="checkbox"/> OUI <input type="checkbox"/> NON

CE PLAN A ETE REALISE EN C.A.O SOUS LE NUMERO : HE\_HES.S000.A.002SA.E (DRAFT 02)  
TOUTE MODIFICATION DOIT ETRE EFFECTUEE PAR L'INTERMEDIAIRE DU SYSTEME CATIA

PROTECTION	-	ETAT DE SURFACE ASN 003.06	MARQUAGE ASN 003.06	<input checked="" type="checkbox"/>	ELEMENT	CRITIQUE
TOLERANCES GENERALES DE FABRICATION ASN 211.00 (normales) / 211.05 (larges)	-	MICRONS SAUF	<input checked="" type="checkbox"/>	INDICATIONS CONTRAIRES	-	NON CRITIQUE

VISAS DES SERVICES D'ETAT

**ALCATEL**

CE DESSIN EST LA PROPRIETE DE alcatel ET NE PEUT ETRE REPRODUIT OU COMMUNIQUE SANS SON AUTORISATION.

DES BOFFELLI S.	LE 23/07/01	TITRE	HERSCHEL MAIN GEOMETRY
VERIF CLAVEL PH.	LE 23/07/01		
CALCUL	LE		
VISA CLAVEL PH.	LE 23/07/01		

ECHELLE: - CODE DOC: 20 REFERENCE: F0278C INDICE: E PLANCHE: 2/3

HESS000A002SA

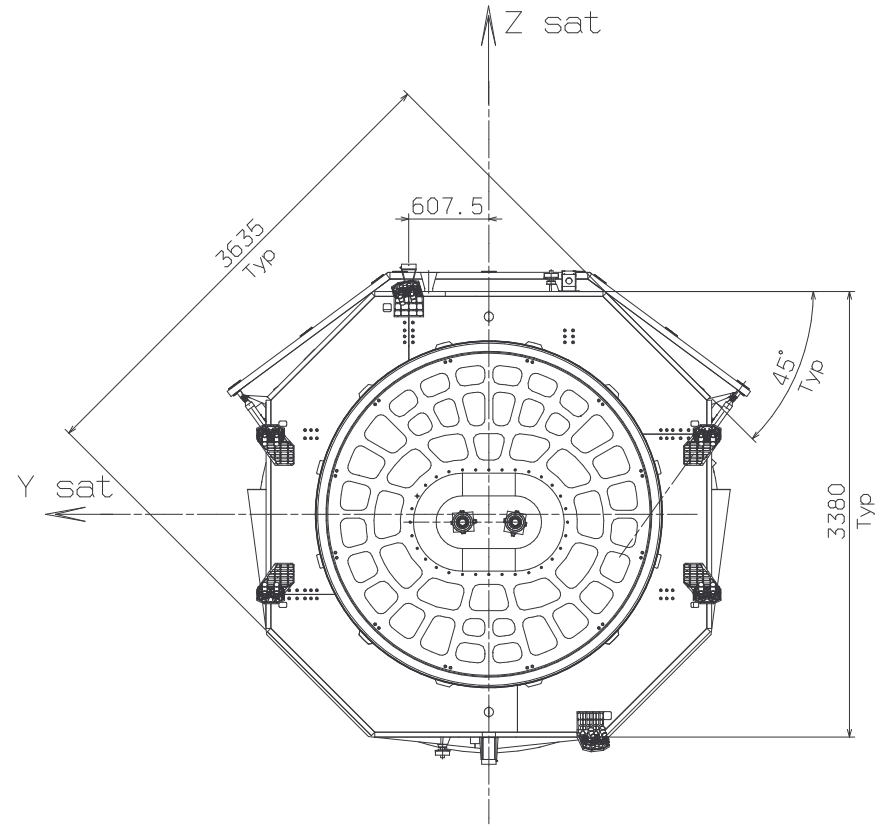
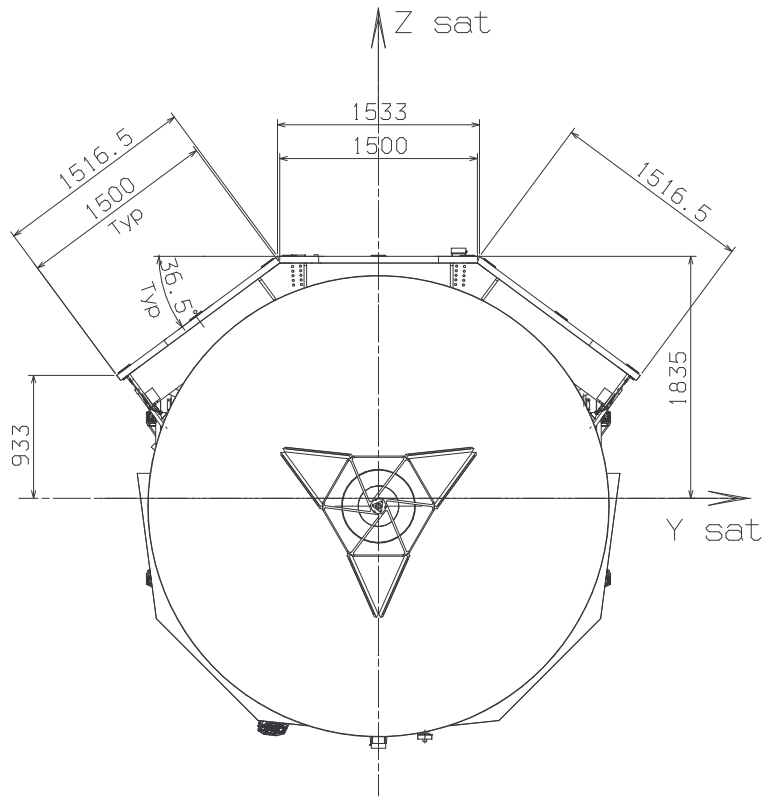
P O N M L K J I H G F E D C B A

CODE FORMAT

**MODIFICATIONS**

Indice/Zones	Visa	Date	Vérification	Origine
E -	BOUET.E	18/08/04	CLAVEL.P	-

SUN SHADE GEOMETRY UPDATE



c111291 FRAME 1 AUGUST 19, 2004 13.08.19

Visa PROJET:	Visa CONFIG:
--------------	--------------

DETROMPAGE	<input type="checkbox"/> OUI <input type="checkbox"/> NON
IMPACT SUR PROCEDURE D'INTEGRATION	<input type="checkbox"/> <input type="checkbox"/>

CE PLAN A ETE REALISE EN C.A.O SOUS LE NUMERO : NE.HES.S000.A.002SA.E (DRAFT D3)				TITRE	
TOUTE MODIFICATION DOIT ETRE EFFECTUEE PAR L'INTERMEDIAIRE DU SYSTEME CATIA				HERSCHEL MAIN GEOMETRY	
PROTECTION	-	ETAT DE SURFACE ASN 003.06	MARQUAGE ASN 003.06	<input checked="" type="checkbox"/>	ELEMENT
TOLERANCES GENERALES DE FABRICATION ASN 211.00 (normales) / ASN 211.05 (élargies)			MICRONS SAUF		
VISAS DES SERVICES D'ETAT			<input checked="" type="checkbox"/> INDICATIONS CONTRAIRES		
<b>ALCATEL</b>					
CE DESSIN EST LA PROPRIETE DE alcatel ET NE PEUT ETRE REPRODUIT OU COMMUNIQUE SANS SON AUTORISATION.					
DES	BOFFELLI S.	LE 23/07/01	INDICE		
VERIF	CLAVEL PH.	LE 23/07/01	E		
CALCUL	-	LE -	PLANCHE		
VISA	CLAVEL PH.	LE 23/07/01	3/3		
ECHELLE	CODE DOC	REFERENCE	INDICE		
-	20	F0278C	E		
HESS000A002SA			PLANCHE		
			3/3		

CODE FORMAT

# HERSCHEL DRAWING

## CHANGE RECORD

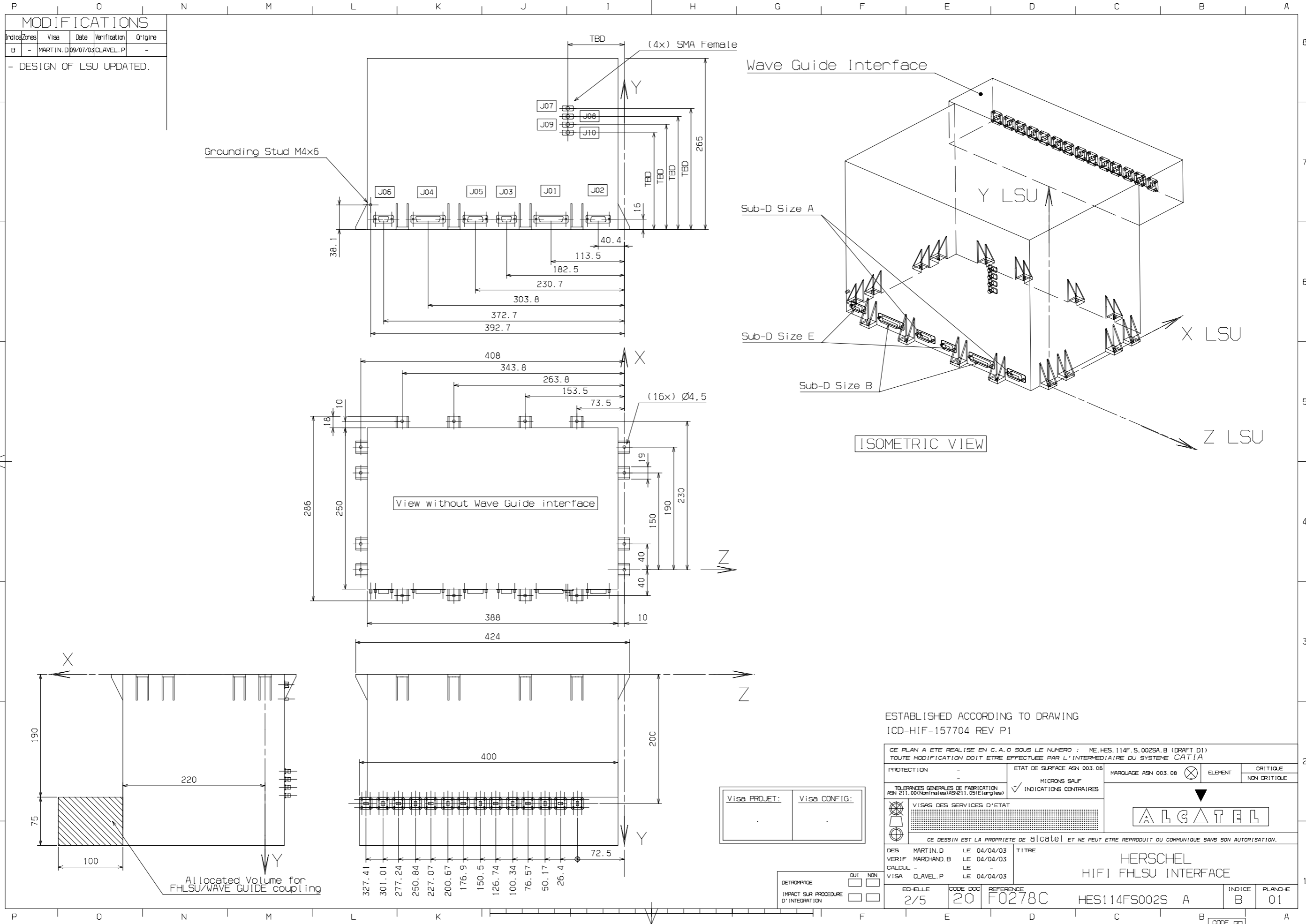
DRAWING TITLE            HIFI FHLSU INTERFACE            Date: 09/07/2003

REFERENCE DRAWING    ME.HES.114F.S.002SA            Indice: B

NUMBER OF SHEET      1

Ind	Date	Modifications	Approbation
A	04/04/03	INITIAL DRAWING	
B	09/07/03	FHLSU DESIGN UPDATED	

c111290 FRAME 1 JULY 15, 2003 07.43.39



MODIFICATIONS				
Indice/Zones	Visa	Date	Verification	Origine
B	-	MARTIN.D 09/07/03	CLAVEL.P	-

- DESIGN OF LSU UPDATED.

ESTABLISHED ACCORDING TO DRAWING  
ICD-HIF-157704 REV P1

CE PLAN A ETE REALISE EN C.A.O SOUS LE NUMERO : ME.HES.114F.S.002SA.B (DRAFT D1) TOUTE MODIFICATION DOIT ETRE EFFECTUEE PAR L'INTERMEDIAIRE DU SYSTEME CATIA			
PROTECTION	-	ETAT DE SURFACE ASN 003.06	MICRONS SAUF
TOLERANCES GENERALES DE FABRICATION	ASN 211.00(Nominales)/ASN211.05(Elongies)	✓	INDICATIONS CONTRAIRES
VISA DES SERVICES D'ETAT			
CE DESSIN EST LA PROPRIETE DE Alcatel ET NE PEUT ETRE REPRODUIT OU COMMUNIQUE SANS SON AUTORISATION.			
DES	MARTIN.D	LE	04/04/03
VERIF	MARCHAND.B	LE	04/04/03
CALCUL	-	LE	-
VISA	CLAVEL.P	LE	04/04/03
TITRE		HERSCHEL HIFI FHL SU INTERFACE	
DETROMPAGE	<input type="checkbox"/> OUI <input type="checkbox"/> NON	ECHELLE	2/5
IMPACT SUR PROCEDURE D'INTEGRATION	<input type="checkbox"/> OUI <input type="checkbox"/> NON	CODE DOC	20
		REFERENCE	F0278C
		INDEXE	B
		PLANCHE	01
		CODE FORMAT	

Visa PROJET: \_\_\_\_\_  
Visa CONFIG: \_\_\_\_\_

DETROMPAGE  OUI  NON  
IMPACT SUR PROCEDURE D'INTEGRATION  OUI  NON

CODE FORMAT



# HERSCHEL DRAWING

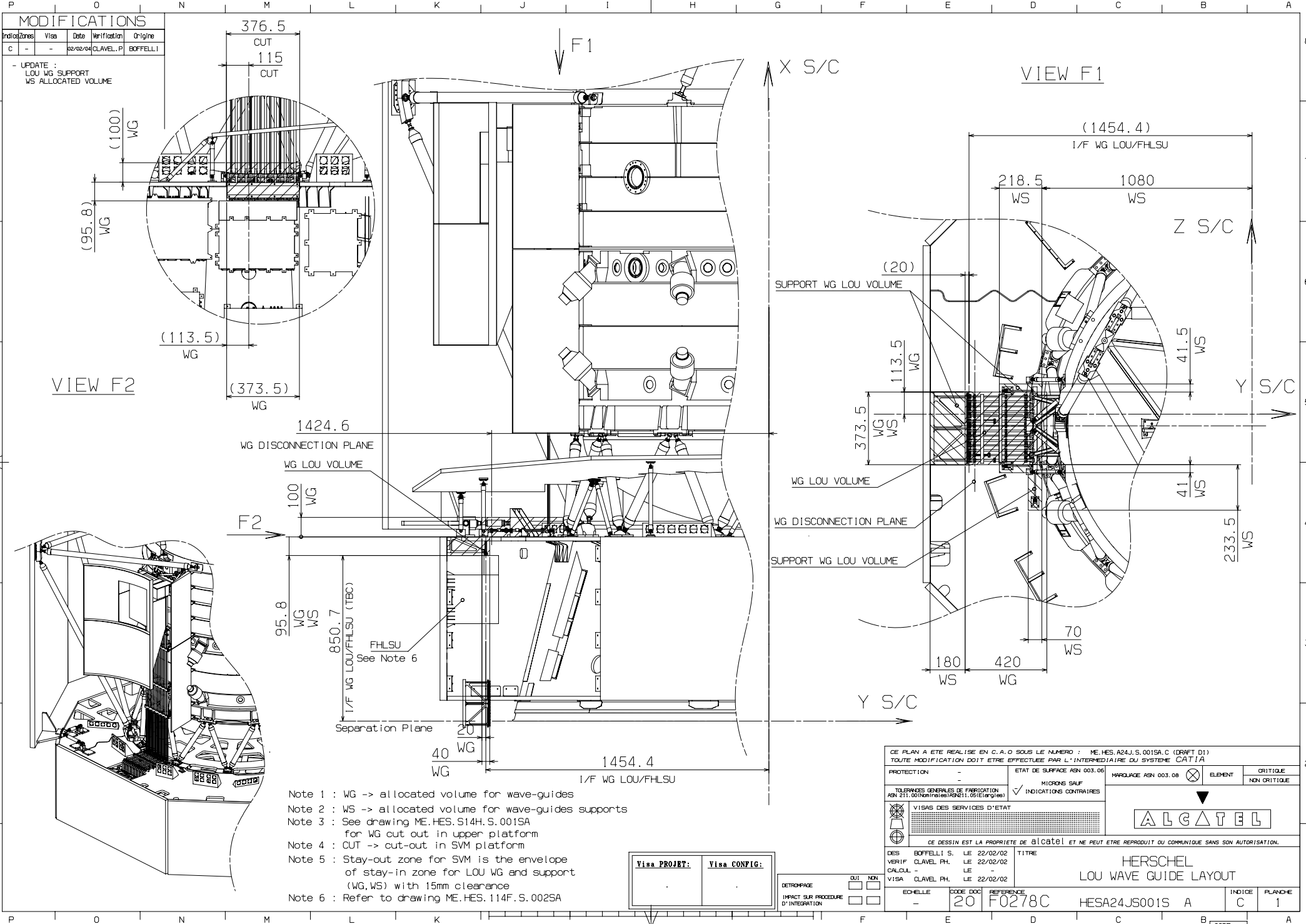
## CHANGE RECORD

DRAWING TITLE            LOU WAVE GUIDE LAYOUT            Date: 02/02/2004

REFERENCE DRAWING    ME.HES.A24J.S.001SA            Indice: C

NUMBER OF SHEET      1

Ind	Date	Modifications	Approbation
A	22/02/2002	DRAFT	
B	26/07/2002	VIEW F2 ADDED	
C	02/02/2004	UPDATE : - LOU WG SUPPORT  - WS ALLOCATED VOLUME	



MODIFICATIONS				
Indications	Visa	Date	Vérification	Origine
C	-	02/02/04	CLAVEL, F	BOFFELLI

- UPDATE :  
LOU WG SUPPORT  
WS ALLOCATED VOLUME

- Note 1 : WG -> allocated volume for wave-guides
- Note 2 : WS -> allocated volume for wave-guides supports
- Note 3 : See drawing ME.HES.S14H.S.001SA for WG cut out in upper platform
- Note 4 : CUT -> cut-out in SVM platform
- Note 5 : Stay-out zone for SVM is the envelope of stay-in zone for LOU WG and support (WG, WS) with 15mm clearance
- Note 6 : Refer to drawing ME.HES.114F.S.002SA

Visa PROJET:	Visa CONFIG:

DETROPAGE	<input type="checkbox"/> OUI <input type="checkbox"/> NON
IMPACT SUR PROCEDURE D'INTEGRATION	<input type="checkbox"/> OUI <input type="checkbox"/> NON

CE PLAN A ETE REALISE EN C.A.O. SOUS LE NUMERO : ME.HES.A24J.S.001SA.C (DRAFT D1)		TOUTE MODIFICATION DOIT ETRE EFFECTUEE PAR L'INTERMEDIAIRE DU SYSTEME CATIA	
PROTECTION	-	ETAT DE SURFACE ASN 003.08	MARQUAGE ASN 003.08 <input checked="" type="checkbox"/> ELEMENT CRITIQUE
TOLERANCES GENERALES DE FABRICATION	ASN 211.00 (Non traitées) / ASN 211.05 (E/eng/tes)	MICRONS SAUF	INDICATIONS CONTRAIRES <input checked="" type="checkbox"/>
VISAS DES SERVICES D'ETAT		<b>ALCATEL</b>	
CE DESSIN EST LA PROPRIETE DE Alcatel ET NE PEUT ETRE REPRODUIT OU COMMUNIQUE SANS SON AUTORISATION.			
DES	BOFFELLI S. LE 22/02/02	TITRE	HERSCHEL
VERIF	CLAVEL PH. LE 22/02/02		LOU WAVE GUIDE LAYOUT
CALCUL	LE		
VISA	CLAVEL PH. LE 22/02/02		
ECHELLE	20	CODE DOC	F0278C
REFERENCE		INDICE	C
		PLAN/D	1

c10993 FEBRUARY 2, 2004 11:47:08

# HERSCHEL DRAWING

## CHANGE RECORD

DRAWING TITLE                      INTERFACE SVM/PLM - LOU WAVE GUIDE                      Date: 27/01/2004

REFERENCE DRAWING                      ME.HES.A180.S.001SA                      Indice: C

NUMBER OF SHEET                      2

Ind	Date	Modifications	Approbation
A	30/08/2002	-REPLACE ME.HES.A180.S.000SA SHEET 8	
B	12/02/2003	-ADD HOLES POSITIONAL TOLERANCES	
		-OPTIMIZE FUNCTIONAL COTATION	
C	27/01/2004	-ADD HOLES DIA 6,4 AND M6	
		-2 I/F AREA REMOVED	

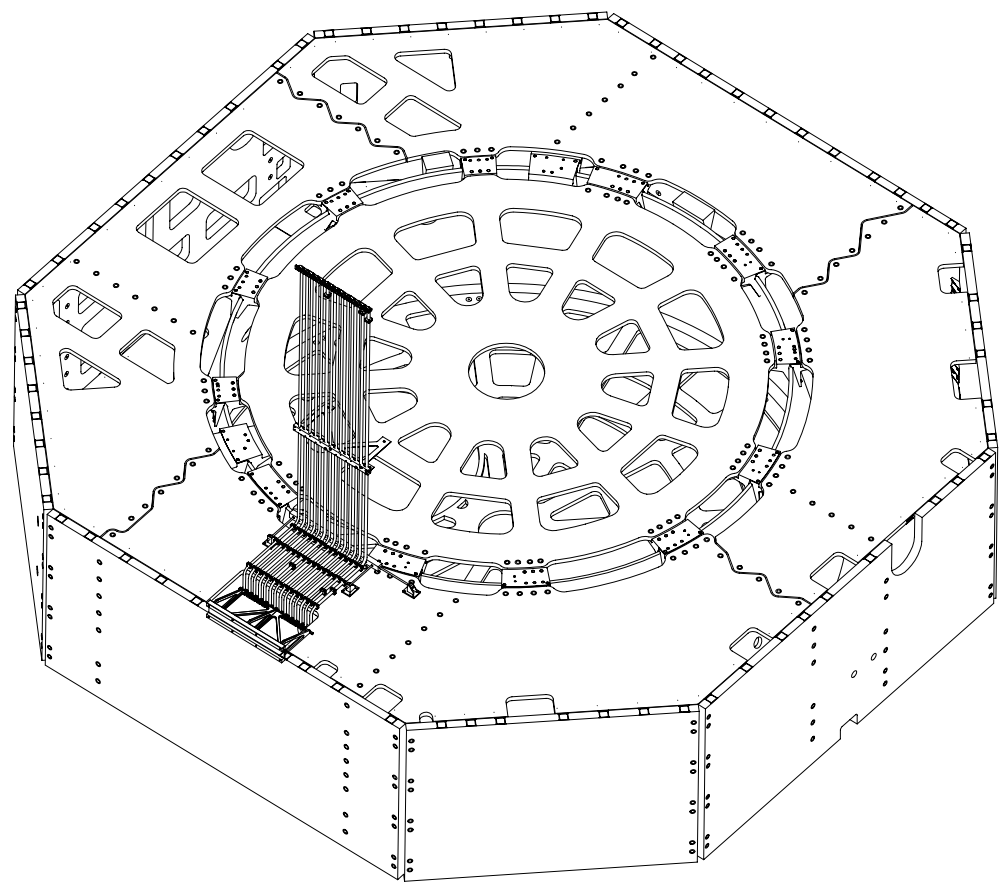
P O N M L K J I H G F E D C B A

**MODIFICATIONS**

Indice/Zones	Visa	Date	Verification	Origine
C	-	27/01/04	CLAVEL PH	BOFFELLI

- Add holes Ø6, 4 and M6
- 2 I/F area removed

HERSCHEL SVM: GENERAL VIEW OF LOU WAVE GUIDE ON SVM



c10993 FRAME 1 JANUARY 30, 2004 15.11.11

CE PLAN A ETE REALISE EN C.A.O SOUS LE NUMERO : HE-HES.A180.S.0015A.C (DRAFT D1)					
TOUTE MODIFICATION DOIT ETRE EFFECTUEE PAR L'INTERMEDIAIRE DU SYSTEME CATIA					
PROTECTION	-	ETAT DE SURFACE ASN 003.06	MARQUAGE ASN 003.06	<input checked="" type="checkbox"/> ELEMENT	CRITIQUE
TOLERANCES GENERALES DE FABRICATION ASN 211.00(Normales)/ASN211.05(Etargies)			MICRONS SAUF <input checked="" type="checkbox"/> INDICATIONS CONTRAIRES		
VISAS DES SERVICES D'ETAT			<b>ALCATEL</b>		
CE DESSIN EST LA PROPRIETE DE Alcatel ET NE PEUT ETRE REPRODUIT OU COMMUNIQUE SANS SON AUTORISATION.					
DES	MARTIN D.	LE 30/08/02	TITRE	HERSCHEL	
VERIF	CLAVEL PH.	LE 30/08/02	INTERFACE SVM/PLM - LOU WAVE GUIDE		
CALCUL	-	LE -			
VISA	CLAVEL PH.	LE 30/08/02			
ECHELLE	CODE DOC	REFERENCE	INDICE	PLANCHE	
-	20	F0278C	HESA180S0015 A	C	1

Visa PROJET:	Visa CONFIG:

DETROMPAGE	<input type="checkbox"/> OUI <input type="checkbox"/> NON
IMPACT SUR PROCEDURE D'INTEGRATION	<input type="checkbox"/> OUI <input type="checkbox"/> NON

CODE FORMAT

P O N M L K J I H G F E D C B A



# HERSCHEL DRAWING

## CHANGE RECORD

DRAWING TITLE I/F CRYO HARNESS ON SVM Date:13/05/2004

REFERENCE DRAWING ME.HES.S14H.S.001SA Indice: E

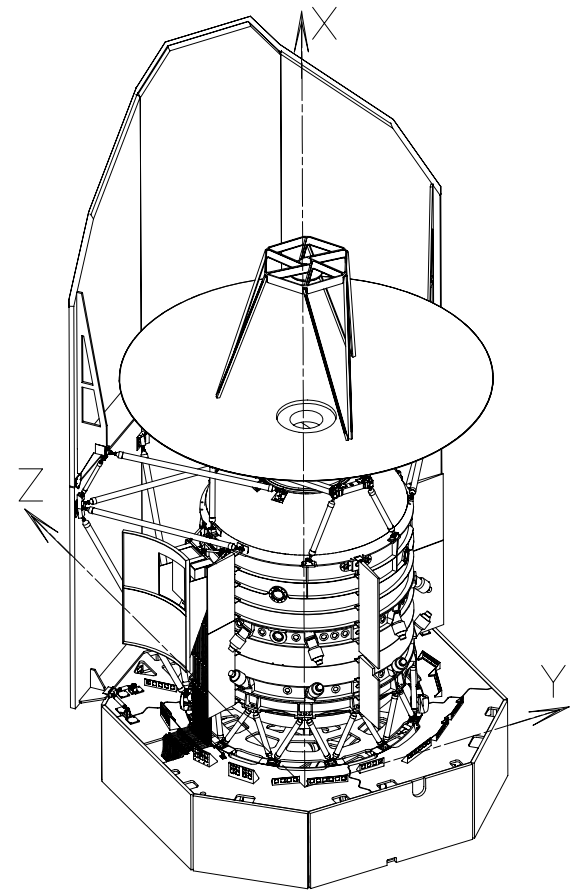
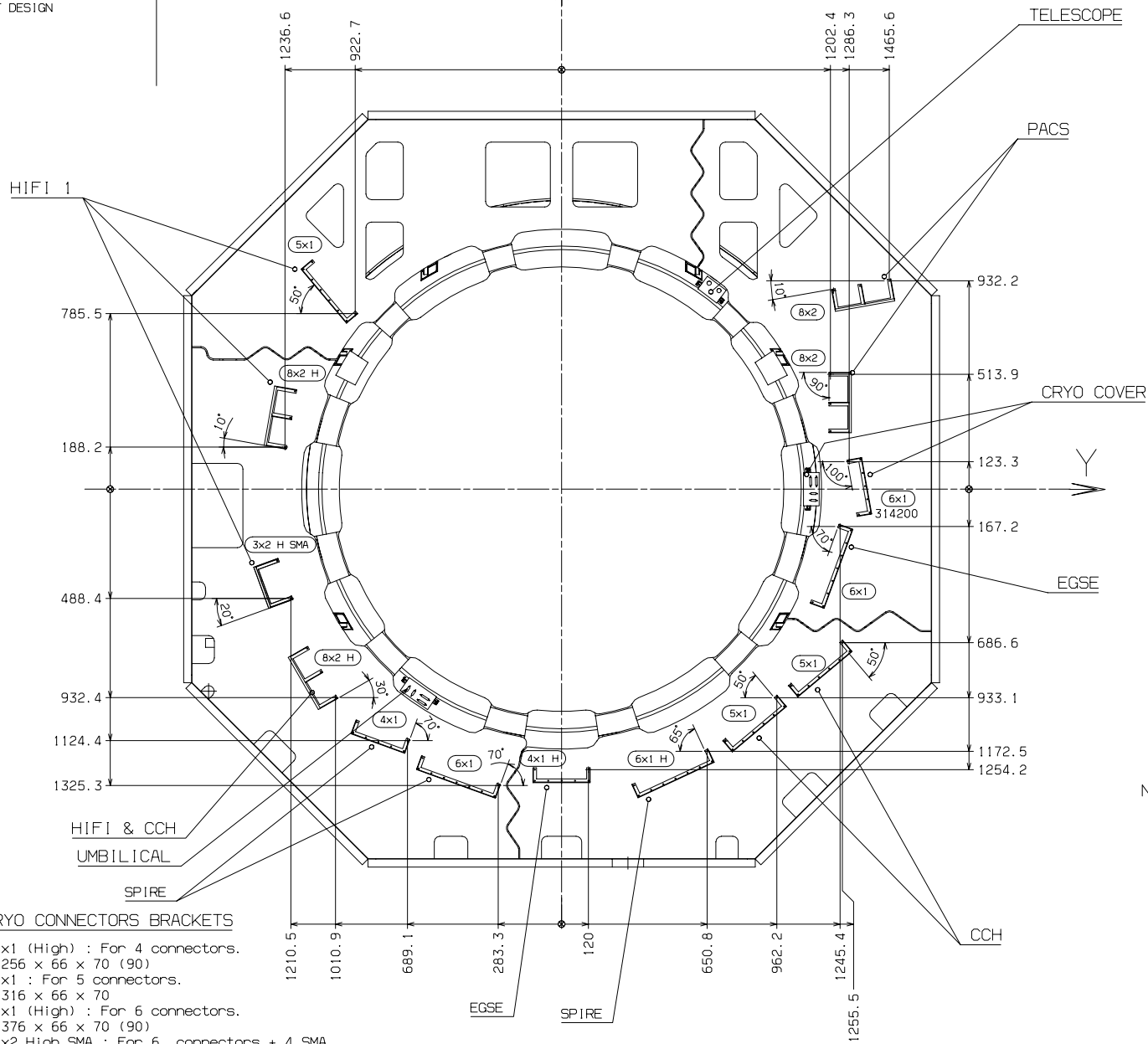
NUMBER OF SHEET 6

Ind	Date	Modifications	Approbation
A	24/06/2002	- DRAFT	
B	30/07/2002	- SHEET 2 ADDED - NEW POSITIONS FOR CRYO HARNESS BRACKETS	
C	23/09/2003	-GENERAL UPDATE D1 & D3 -DRAFT 2 INSERTED(INSERT LOCATION) -DRAFT 4 ADDED (Cryo. & Tel. Bracket)	
D	27/01/2004	-DRAFT D5 AND D6 ADDED -HELICOIL REF UPDATED	
E	13/05/2004	-UPDATE OF UMBILICAL BRACKET DESIGN	

MODIFICATIONS				
Indice	Zones	Visa	Date	Verification Origine
E	-	-	13/05/04	MARCHAND BOFFELLI

- UPDATE OF UMBILICAL BRACKET DESIGN

# Cryo Bracket Accommodation



NOTA : -All fixation points M5.  
 -Helicoil with grip  
 -Helicoil MJ5 x 0.8-4H5H  
 -DIN 65536-05 075 A  
 -Minimum lenght 1.5D  
 -Minimum bolt clearance 2D

- 15 CRYO CONNECTORS BRACKETS**
- Type 4x1 (High) : For 4 connectors. Vol = 256 x 66 x 70 (90)
  - Type 5x1 : For 5 connectors. Vol = 316 x 66 x 70
  - Type 6x1 (High) : For 6 connectors. Vol = 376 x 66 x 70 (90)
  - Type 3x2 High SMA : For 6 connectors + 4 SMA Vol = 196 x 145 x 115
  - Type 6x1 314200 : For 6 connectors. Vol = 256 x 66 x 70
  - Type 8x2 (High) : For 8 connectors. Vol = 269.5 x 100 x 125 (145)

Fixation on upper closure panel to be defined according to brackets ICD

Visa PROJET:	Visa CONFIG:
--------------	--------------

DETROMPAGE	<input type="checkbox"/> OUI <input type="checkbox"/> NON
IMPACT SUR PROCEDURE D'INTEGRATION	<input type="checkbox"/> <input type="checkbox"/>

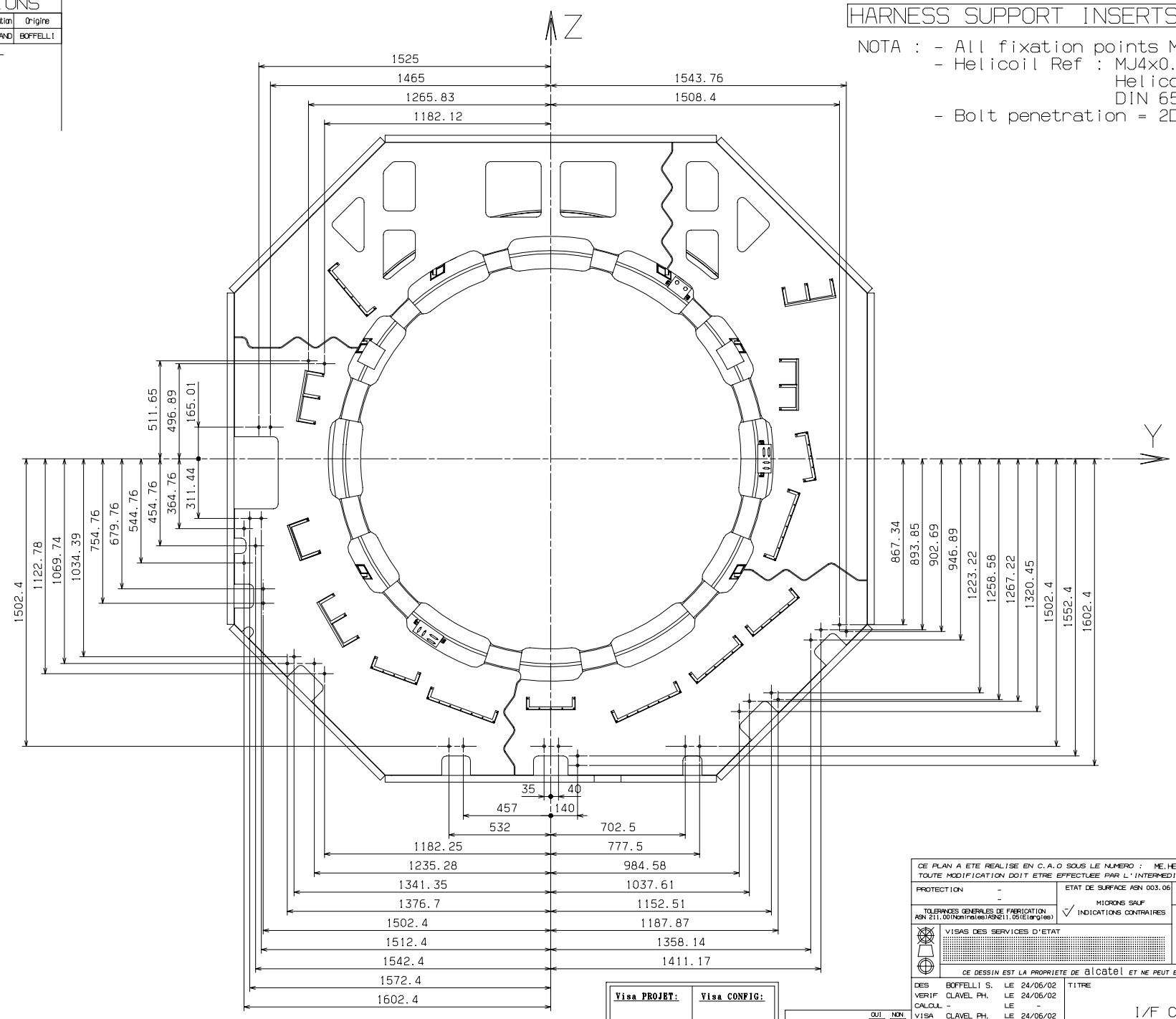
CE PLAN A ETE REALISE EN C.A.O SOUS LE NUMERO : ME.HES.S14H.S.001SA.E (DRAFT D1)			
TOUTE MODIFICATION DOIT ETRE EFFECTUEE PAR L'INTERMEDIAIRE DU SYSTEME CATIA			
PROTECTION	ETAT DE SURFACE ASN 003.06	MARQUAGE ASN 003.06	CRITIQUE
TOLERANCES GENERALES DE FABRICATION ASN 211.00(Nom)ref(les)A9N211.05(E(ang)les)	MICRONS SAUF	<input checked="" type="checkbox"/> INDICATIONS CONTRAIRES	NON CRITIQUE
VISA DES SERVICES D'ETAT		<b>ALCATEL</b>	
CE DESSIN EST LA PROPRIETE DE alcatel ET NE PEUT ETRE REPRODUIT OU COMMUNIQUE SANS SON AUTORISATION.			
DES BOFFELLI S. LE 24/06/02	TITRE	HERSCHEL	
VERIF CLAVEL PH. LE 24/06/02		1/F CRYO HARNESS ON SVM	
CALCUL - LE -			
VISA CLAVEL PH. LE 24/06/02			
ECHELLE	CODE DOC	REFERENCE	INDICE
-	20	F0278C	HES14HS001S A
			PLANIE
			E 1

MODIFICATIONS					
Indice	Zones	Visa	Date	Verification	Origine
E	-	-	13/05/04	MARCHANT	BOFFELLI

- UPDATE OF UMBILICAL BRACKET DESIGN

# HARNESS SUPPORT INSERTS LAYOUT

NOTA : - All fixation points M4.  
 - Helicoil Ref : MJ4x0.7 - 4H5H  
 Helicoil with Grip  
 DIN 65536-04 060 A  
 - Bolt penetration = 2D Min.



CE PLAN A ETE REALISE EN C.A.O SOUS LE NUMERO : ME.HES.S14H.S.001SA.E (DRAFT 02)			
TOUTE MODIFICATION DOIT ETRE EFFECTUEE PAR L'INTERMEDIAIRE DU SYSTEME CATIA			
PROTECTION	-	ETAT DE SURFACE ASN 003.06	CRITIQUE
TOLERANCES GENERALES DE FABRICATION	ASN 211.00 (non relatives) / 211.05 (E (angles))	MICRONS SAUF	NON CRITIQUE
VISAS DES SERVICES D'ETAT		MARGUAZE ASN 003.06	
ALCATEL			
CE DESSIN EST LA PROPRIETE DE alcatel ET NE PEUT ETRE REPRODUIT OU COMMUNIQUE SANS SON AUTORISATION.			
DES	BOFFELLI S.	LE 24/06/02	TITRE
VERIF	CLAVEL PH.	LE 24/06/02	HERSCHEL 1/F CRYO HARNESS ON SVM
CALCUL	-	LE -	
VISA	CLAVEL PH.	LE 24/06/02	
ECHELLE	CODE DOC	REFERENCE	INDICE
-	20	F0278C	HES14HS001S A
			PLANCHI
			E 2

Visa PROJET: \_\_\_\_\_  
 Visa CONFIG: \_\_\_\_\_

DETROMPAGE  OUI  NON  
 IMPACT SUR PROCEDURE D'INTEGRATION

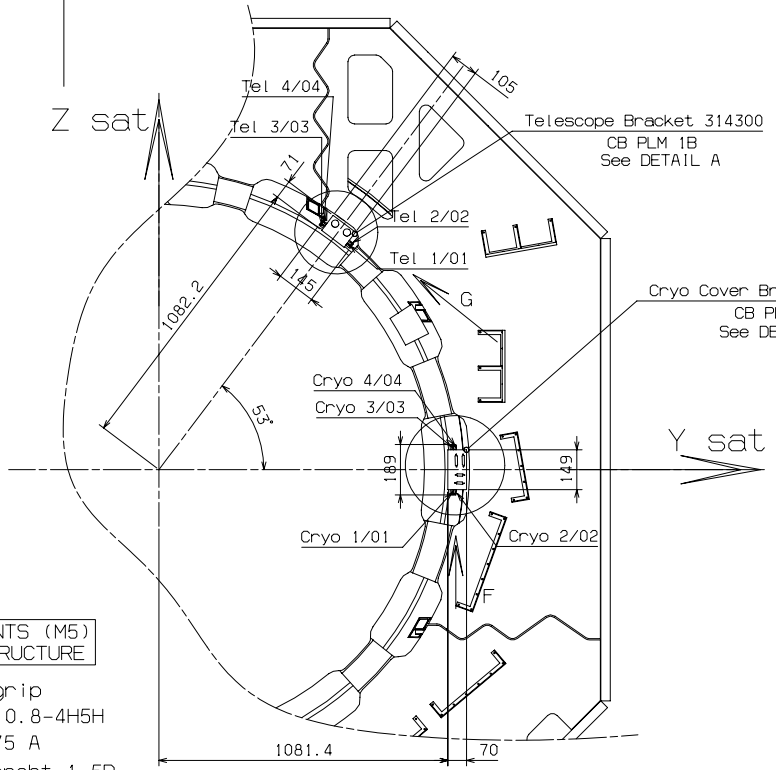




Telescope Harness & Cryo Cover Bracket design & IF definition

MODIFICATIONS				
Indice	Zones	Visa	Date	Verification Origine
E	-	-	13/05/04	MARCHAND BOFFELLI

- UPDATE OF UMBILICAL BRACKET DESIGN



FIXATION POINTS (M5) BRACKET / STRUCTURE

Helicoil with grip  
Helicoil MJ5 x 0.8-4H5H  
DIN 65536-05 075 A  
M5 : Minimum lenght 1.5D  
Minimum bolt clearance 2D

NOTA : -Maximum allocated contact Area Ø 17,5 mm.

BRACKET FIXATION POINTS I/F (Applicable To ASED) (On insert face)

REF.	X REF.	Y REF.	Z REF.
CRY01	885.086	1093.209	-84.501
CRY02	836.537	1105.169	-84.501
CRY03	885.086	1093.209	-84.501
CRY04	836.537	1105.169	-84.501
TEL1	885.086	708.707	836.648
TEL2	836.534	715.895	846.188
TEL3	885.086	608.867	911.881
TEL4	836.534	616.056	921.420

Number of pts: 8

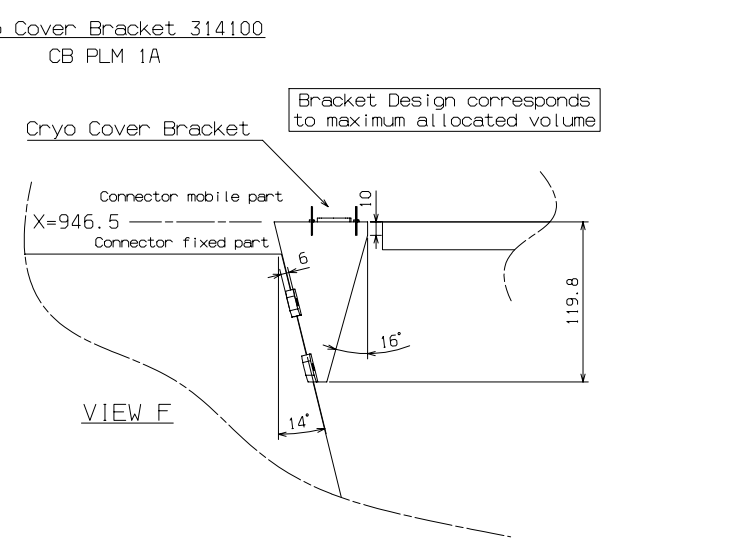
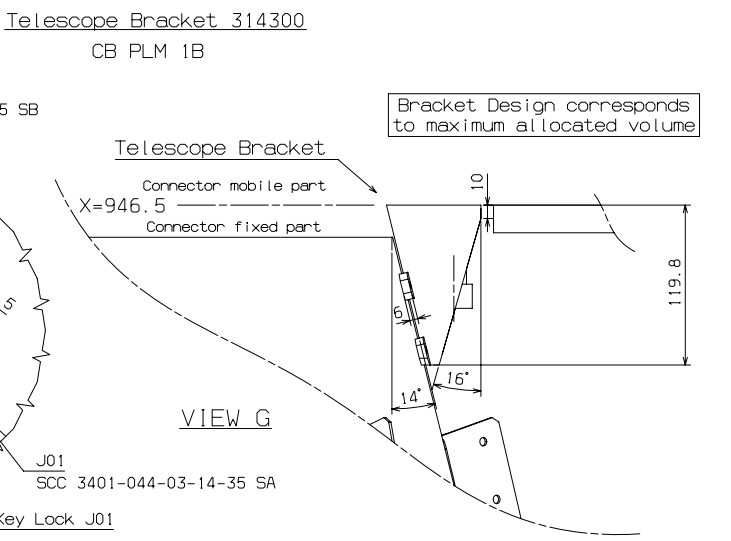
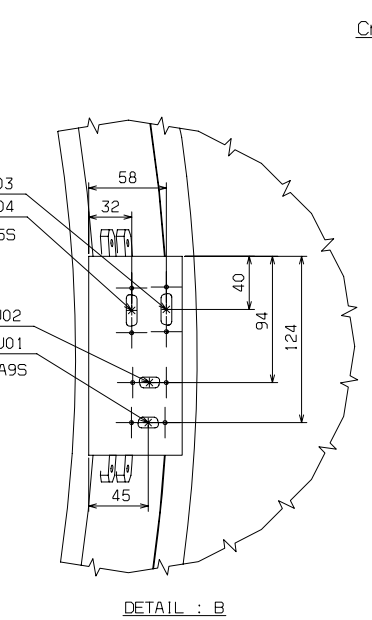
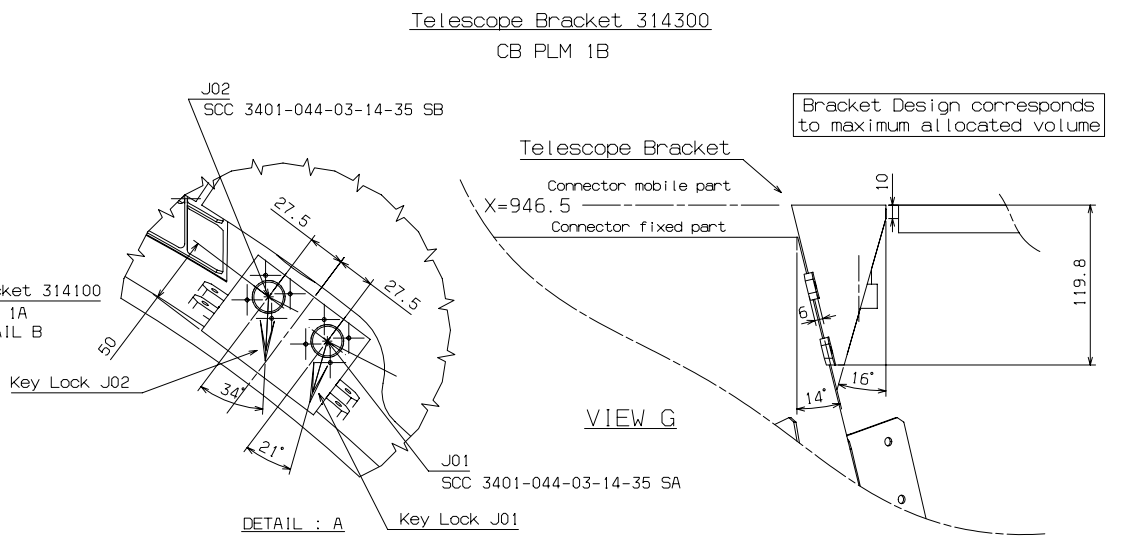
BRACKET INSERTS REFERENCE POINTS (Applicable To ALS) (On central cone skin)

REF.	X REF.	Y REF.	Z REF.
CRY001	885.038	1093.015	-84.486
CRY002	836.490	1104.975	-84.486
CRY003	885.038	1093.015	-84.486
CRY004	836.490	1104.975	-84.486
TEL01	885.038	708.582	836.500
TEL02	836.486	715.770	846.039
TEL03	885.038	608.759	911.719
TEL04	836.486	615.948	921.259

Number of pts: 8

VECTOR NORMAL TO CONE SURFACE STARTING FROM CORRESPONDING FIXATION POINT

VECTOR TEL 01	X = .239	Y = .628	Z = .741
VECTOR TEL 02	X = .239	Y = .628	Z = .741
VECTOR TEL 03	X = .239	Y = .539	Z = .808
VECTOR TEL 04	X = .239	Y = .540	Z = .807
VECTOR CRYO 1	X = .239	Y = .968	Z = -.075
VECTOR CRYO 2	X = .239	Y = .968	Z = -.074
VECTOR CRYO 3	X = .239	Y = .968	Z = -.075
VECTOR CRYO 4	X = .239	Y = .968	Z = -.074



CE PLAN A ETE REALISE EN C.A.O SOUS LE NUMERO : ME.HES.S14H.S.001SA.E (DRAFT D4)  
TOUTE MODIFICATION DOIT ETRE EFFECTUEE PAR L'INTERMEDIARE DU SYSTEME CATIA

PROTECTION	ETAT DE SURFACE ASN 003.06	CRITIQUE
TOLERANCES GENERALES DE FABRICATION ASN 211.001 (non relatives) A9211.05 (E (angl)es)	MICRONS SAUF INDICATIONS CONTRAIRES	NON CRITIQUE

VISAS DES SERVICES D'ETAT

CE DESSIN EST LA PROPRIETE DE alcatel ET NE PEUT ETRE REPRODUIT OU COMMUNIQUE SANS SON AUTORISATION.

DES BOFFELLI S. LE 24/06/02	TITRE
VERIF CLAVEL P. LE 24/06/02	HERSCHEL
CALCUL - LE -	I/F CRYO HARNESS ON SVM
VISA CLAVEL P. LE 24/06/02	

ECHELLE - CODE DOC 20 F0278C REFERENCE HESS14HS001S A INDICE E PLANHE 4

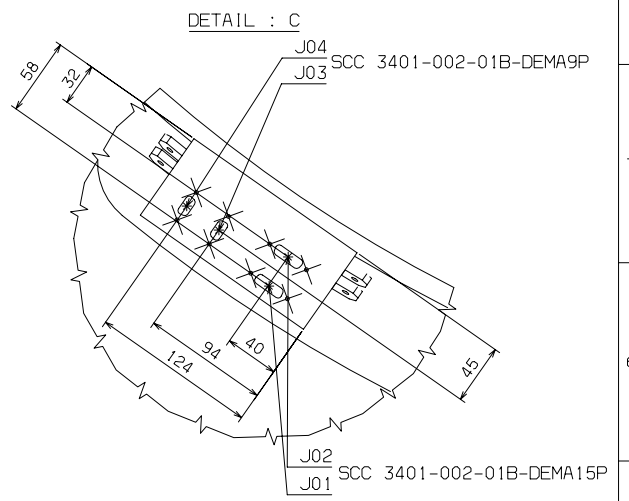
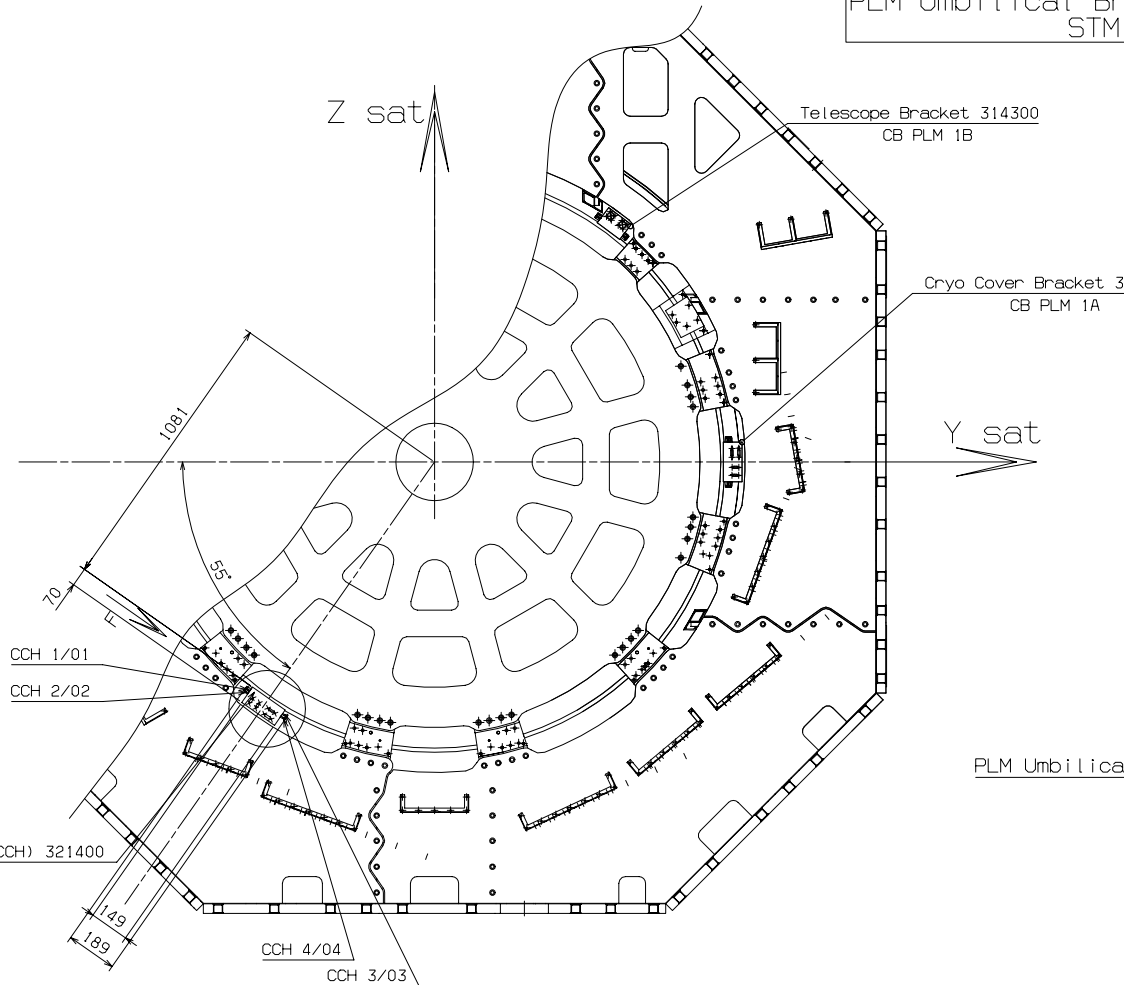
DETRAPAGE  OUI  NON  
IMPACT SUR PROCEDURE D'INTEGRATION

CODE FORMAT

MODIFICATIONS				
Indice/Zones	Visa	Date	Verification	Origine
E	-	13/05/04	MARCHAND	BOFFELLI

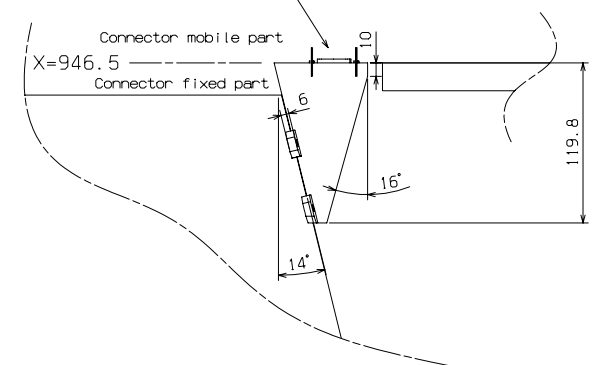
- UPDATE OF UMBILICAL BRACKET DESIGN

PLM Umbilical Bracket (CCH) design & IF definition  
STM model : glued bracket



VIEW F

PLM Umbilical Bracket (CCH) 321400  
Bracket Design corresponds to maximum allocated volume



PLM Umbilical Bracket (CCH) 321400  
See DETAIL C

BRACKET I/F REFERENCE POINTS  
(Applicable to ALS)  
(On central cone skin)

REF.	X REF.	Y REF.	Z REF.
CCH01	885.038	-696.135	-846.887
CCH02	836.490	-702.995	-856.684
CCH03	885.038	-557.721	-943.805
CCH04	836.490	-584.581	-953.602

Number of pts: 4

VECTOR NORMAL TO CONE SURFACE STARTING FROM CORRESPONDING FIXATION POINT

VECTOR CCH 1 : X = .239 Y = -.617 Z = -.075
VECTOR CCH 2 : X = .239 Y = -.616 Z = -.075
VECTOR CCH 3 : X = .239 Y = -.494 Z = -.836
VECTOR CCH 4 : X = .239 Y = -.495 Z = -.836

Visa PROJ:

Visa CONFIG:

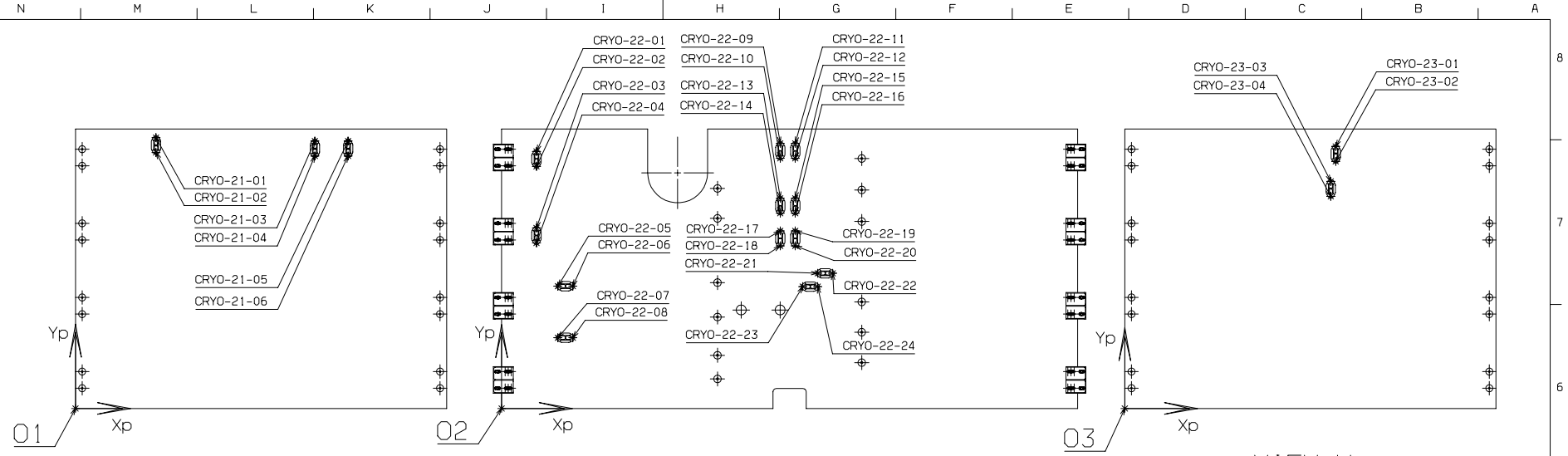
DETROMPAGE  OUI  NON

IMPACT SUR PROCEDURE D'INTEGRATION

CE PLAN A ETE REALISE EN C.A.O SOUS LE NUMERO : ME.HES.S14H.S.001SA.E (DRAFT 05) TOUTE MODIFICATION DOIT ETRE EFFECTUEE PAR L'INTERMEDIAIRE DU SYSTEME CATIA			
PROTECTION -	ETAT DE SURFACE ASN 003.06	MARQUAGE ASN 003.08	CRITIQUE
TOLERANCES GENERALES DE FABRICATION ASN 211.001(Nom)et(0)A9211.05(E(angles))	MICRONS SAUF INDICATIONS CONTRAIRES	ELEMENT	NON CRITIQUE
VISA DES SERVICES D'ETAT			
CE DESSIN EST LA PROPRIETE DE alcatel ET NE PEUT ETRE REPRODUIT OU COMMUNIQUE SANS SON AUTORISATION.			
DES BOFFELLI S. LE 24/06/02	TITRE	HERSCHEL	
VERIF CLAVEL P. LE 24/06/02		I/F CRYO HARNESS ON SVM	
CALCUL - LE -			
VISA CLAVEL P. LE 24/06/02			
ECHELLE -	CODE DOC 20	REFERENCE F0278C	HESS14HS001S A
			INDICE E
			PLANCHE 5

MODIFICATIONS				
Indice/Zones	Visa	Date	Verification	Origine
E	-	13/05/04	MARCHAND	BOFFELLI

- UPDATE OF UMBILICAL BRACKET DESIGN



VIEW F

VIEW G

VIEW H

+Y-Z CRYO HARNESS SUPPORTS INTERFACE POINTS

	X P	Y P
CRYO-21-01	241.950	814.100
CRYO-21-02	241.950	769.300
CRYO-21-03	719.350	803.700
CRYO-21-04	719.350	758.900
CRYO-21-05	819.350	803.700
CRYO-21-06	819.350	758.900

-Z CRYO HARNESS SUPPORTS INTERFACE POINTS

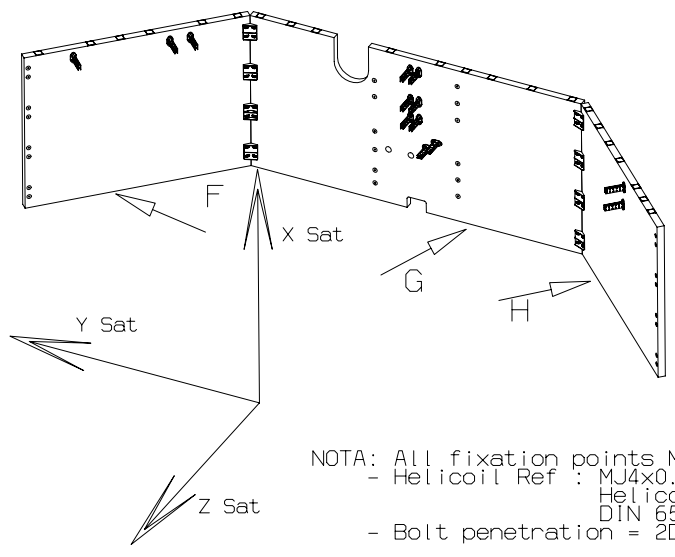
	X P	Y P
CRYO-22-01	104.828	772.400
CRYO-22-02	104.828	727.600
CRYO-22-03	104.828	542.400
CRYO-22-04	104.828	497.600
CRYO-22-05	169.276	367.543
CRYO-22-06	214.076	367.543
CRYO-22-07	169.276	212.543
CRYO-22-08	214.076	212.543
CRYO-22-09	837.587	796.600
CRYO-22-10	837.587	751.800
CRYO-22-11	882.587	796.600
CRYO-22-12	882.587	751.800
CRYO-22-13	837.587	631.600
CRYO-22-14	837.587	586.800
CRYO-22-15	882.587	631.600
CRYO-22-16	882.587	586.800
CRYO-22-17	837.587	533.600
CRYO-22-18	837.587	488.800
CRYO-22-19	882.587	533.600
CRYO-22-20	882.587	488.800
CRYO-22-21	950.187	406.200
CRYO-22-22	994.987	406.200
CRYO-22-23	905.187	366.200
CRYO-22-24	949.987	366.200

-Y-Z CRYO HARNESS SUPPORTS INTERFACE POINTS

	X P	Y P
CRYO-23-01	633.950	787.400
CRYO-23-02	633.950	742.600
CRYO-23-03	618.950	682.400
CRYO-23-04	618.950	637.600

PANEL ORIGIN POINT / SAT AXIS

REF.	X SAT.	Y SAT.	Z SAT.
01	106.500	1679.573	-890.760
02	106.500	865.587	-1690.000
03	106.500	-890.760	-1679.573



NOTA: All fixation points M4  
 - Helicoil Ref : MJ4x0.7 - 4H5H  
 Helicoil with Grip  
 DIN 65536-04 060 A  
 - Bolt penetration = 2D Min.

Visa PROJET:	Visa CONFIG:
--------------	--------------

DETROMPAGE  OUI  NON

IMPACT SUR PROCEDURE D'INTEGRATION

CE PLAN A ETE REALISE EN C.A.O SOUS LE NUMERO : ME.HES.S14H.S.001SA.E (DRAFT 07)			
TOUTE MODIFICATION DOIT ETRE EFFECTUEE PAR L'INTERMEDIAIRE DU SYSTEME CATIA			
PROTECTION	ETAT DE SURFACE ASN 003.06	MARQUAGE ASN 003.06	CRITIQUE
TOLERANCES GENERALES DE FABRICATION ASN 211.001(Nom)ref(0)A9211.05(E(ang))	MICRONS SAUF INDICATIONS CONTRAIRES	<input checked="" type="checkbox"/> ELEMENT	NON CRITIQUE
VISA DES SERVICES D'ETAT		<b>ALCATEL</b>	
CE DESSIN EST LA PROPRIETE DE alcatel ET NE PEUT ETRE REPRODUIT OU COMMUNIQUE SANS SON AUTORISATION.			
DES BENET E.	LE 5/11/03	TITRE	HERSHEL
VERIF CLAVEL P.	LE 5/11/03		1/F CRYO HARNESS ON SVM
CALCUL	LE -		
VISA CLAVEL P.	LE 5/11/03		
ECHELLE	CODE DOC	REFERENCE	INDICE
-	20	F0278C	E
		HES.S14HS001SA	6

# HERSCHEL DRAWING

## CHANGE RECORD

DRAWING TITLE            I/F CRYO HARNESS ON SVM            Date:13/05/2004

REFERENCE DRAWING    ME.HES.S14H.S.001FA            Indice: B

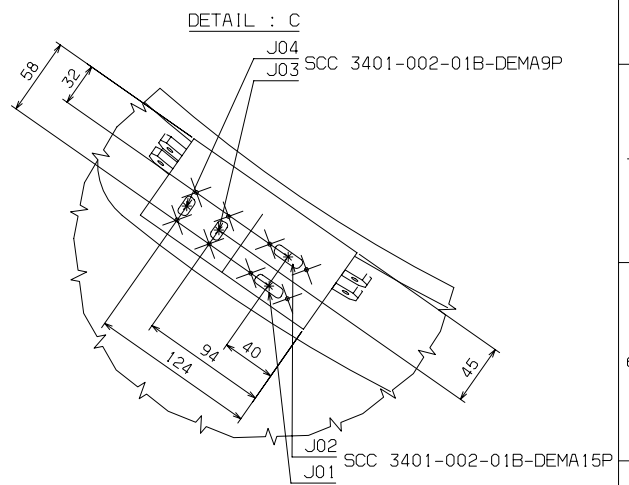
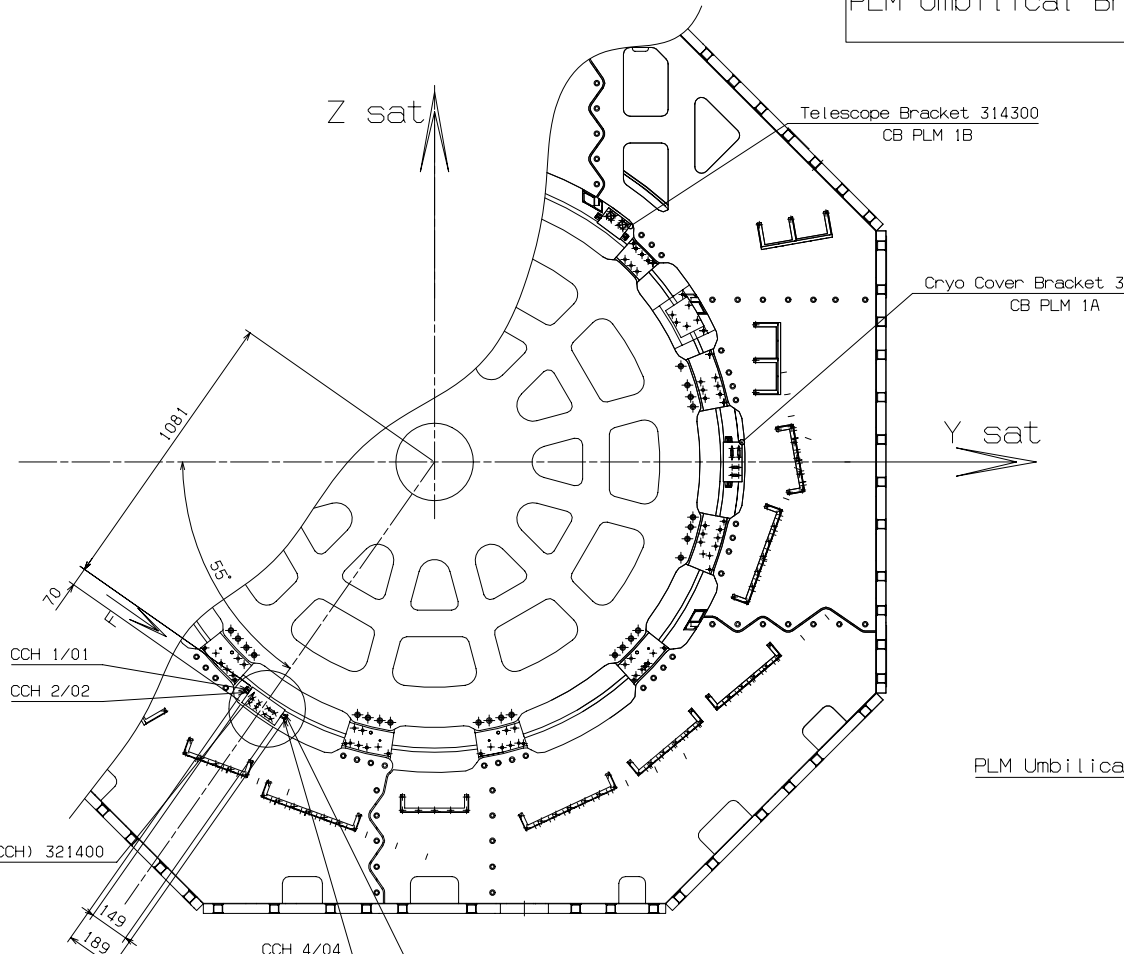
NUMBER OF SHEET      1

Ind	Date	Modifications	Approbation
A	28/01/2004	INITIAL DRAWING	
B	13/05/2004	UPDATE OF UMBILICAL BRACKET DESIGN	

MODIFICATIONS				
Indice/Zones	Visa	Date	Verification	Origine
B	-	13/05/04	MARCHAND	BOFFELLI

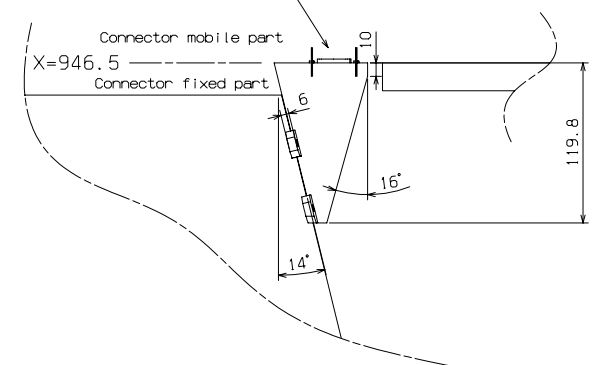
- UPDATE OF UMBILICAL BRACKET DESIGN

PLM Umbilical Bracket (CCH) design & IF definition FM model



VIEW F

PLM Umbilical Bracket (CCH) 321400  
Bracket Design corresponds to maximum allocated volume



PLM Umbilical Bracket (CCH) 321400  
See DETAIL C

BRACKET FIXATION POINTS I/F  
(Applicable To ASEB)  
(On Insert face)

REF.	X REF.	Y REF.	Z REF.
CCH1	885.086	-696.258	-847.037
CCH2	836.537	-703.118	-856.834
CCH3	885.086	-657.820	-943.972
CCH4	836.537	-564.680	-953.769

Number of pts: 4

FIXATION POINTS (M5)  
BRACKET / STRUCTURE

Helicoil with grip  
Helicoil MJ5 x 0.8-4H5H  
DIN 65536-05 075 A  
M5 : Minimum lenght 1.5D  
Minimum bolt clearance 2D

NOTA : -Maximum allocated contact  
Area  $\varnothing$  17,5 mm.  
VECTOR NORMAL TO CONE SURFACE STARTING  
FROM CORRESPONDING FIXATION POINT

VECTOR CCH 1 : X = .239 Y = -.617 Z = -.075
VECTOR CCH 2 : X = .239 Y = -.616 Z = -.075
VECTOR CCH 3 : X = .239 Y = -.494 Z = -.836
VECTOR CCH 4 : X = .239 Y = -.495 Z = -.836

BRACKET I/F REFERENCE POINTS  
(Applicable To ALS)  
(On central cone skin)

REF.	X REF.	Y REF.	Z REF.
CCH01	885.038	-696.135	-846.887
CCH02	836.490	-702.995	-856.684
CCH03	885.038	-557.721	-943.805
CCH04	836.490	-564.561	-953.602

Number of pts: 4

Visa PROJÉT:      Visa CONFIG:

DETROPAGE      OUI    NON  
IMPACT SUR PROCEDURE  
D'INTEGRATION         

CE PLAN A ETE REALISE EN C.A.O SOUS LE NUMERO : ME.HES.S14H.S.001FA.B (DRAFT 05) TOUTE MODIFICATION DOIT ETRE EFFECTUEE PAR L'INTERMEDIAIRE DU SYSTEME CATIA			
PROTECTION	-	ETAT DE SURFACE ASN 003.06	CRITIQUE
TOLERANCES GENERALES DE FABRICATION ASN 211.00 (Normales) A9211.05 (E (angles))	MICRONS SAUF INDICATIONS CONTRAIRES	MARQUAGE ASN 003.08	NON CRITIQUE
VISA DES SERVICES D'ETAT		<b>ALCATEL</b>	
CE DESSIN EST LA PROPRIETE DE alcatel ET NE PEUT ETRE REPRODUIT OU COMMUNIQUE SANS SON AUTORISATION.			
DES BOFFELLI S. LE 28/01/04	TITRE	HERSCHEL I/F CRYO HARNESS ON SVM	
VERIF CLAVEL P. LE 28/01/04	LE		
CALCUL - LE -	LE		
VISA CLAVEL P. LE 28/01/04	LE		
ECHELLE	CODE DOC	REFERENCE	INDICE
-	20	F0278C	B
			PLANCHE
			5

CODE FORMAT

# HERSCHEL DRAWING

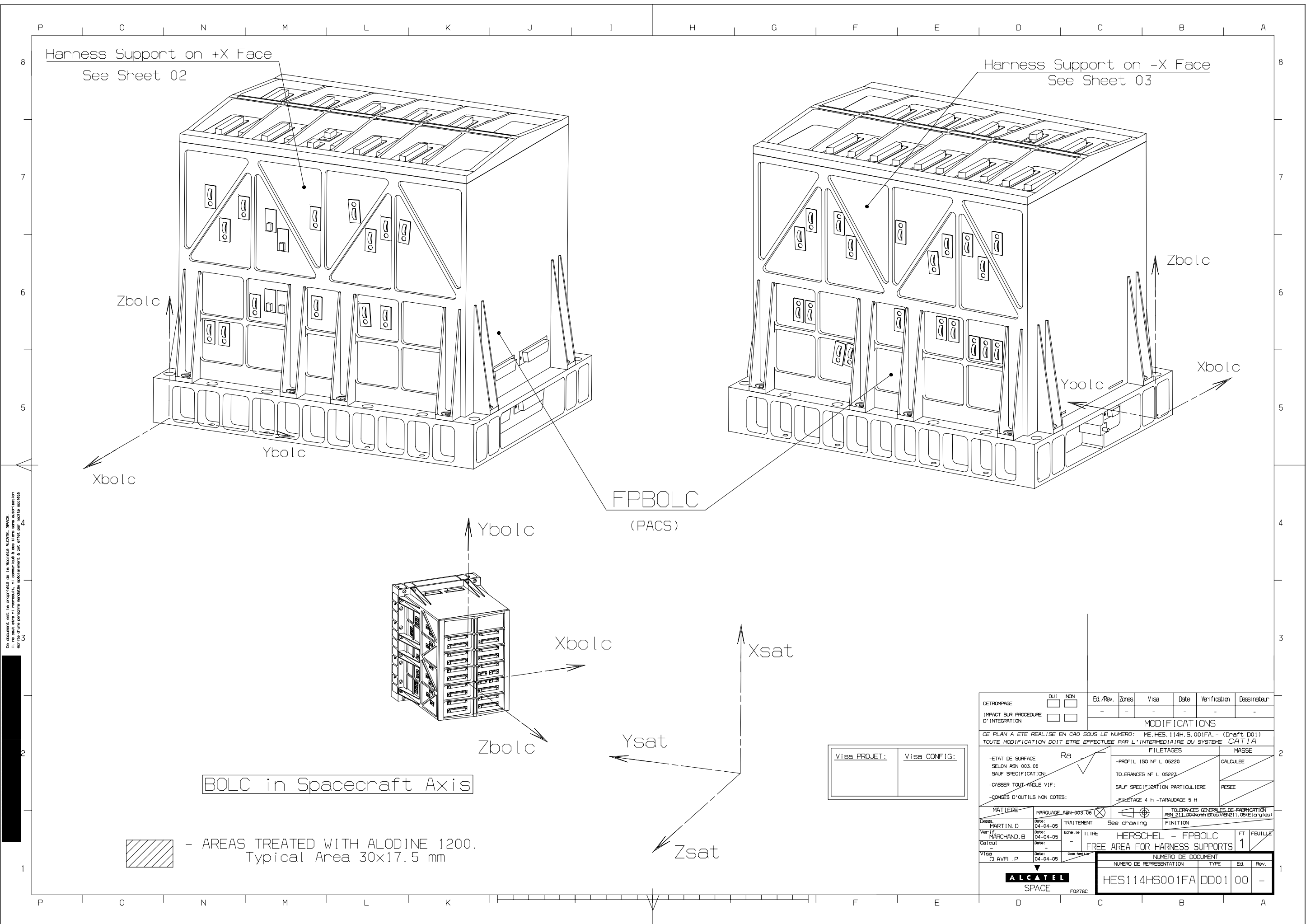
## CHANGE RECORD

DRAWING TITLE                      FPBOLC FREE AREAS FOR HRN SUPPORTS    Date: 04/04/2005

REFERENCE DRAWING    ME.HES.114H.S.001FA                                      Indice: A

NUMBER OF SHEET            3

Ind	Date	Modifications	Approbation
-	04/04/2005	INITIAL DRAWING	



Harness Support on +X Face  
See Sheet 02

Harness Support on -X Face  
See Sheet 03

FPBOLC  
(PACS)

BOLC in Spacecraft Axis

 - AREAS TREATED WITH ALODINE 1200.  
Typical Area 30x17.5 mm

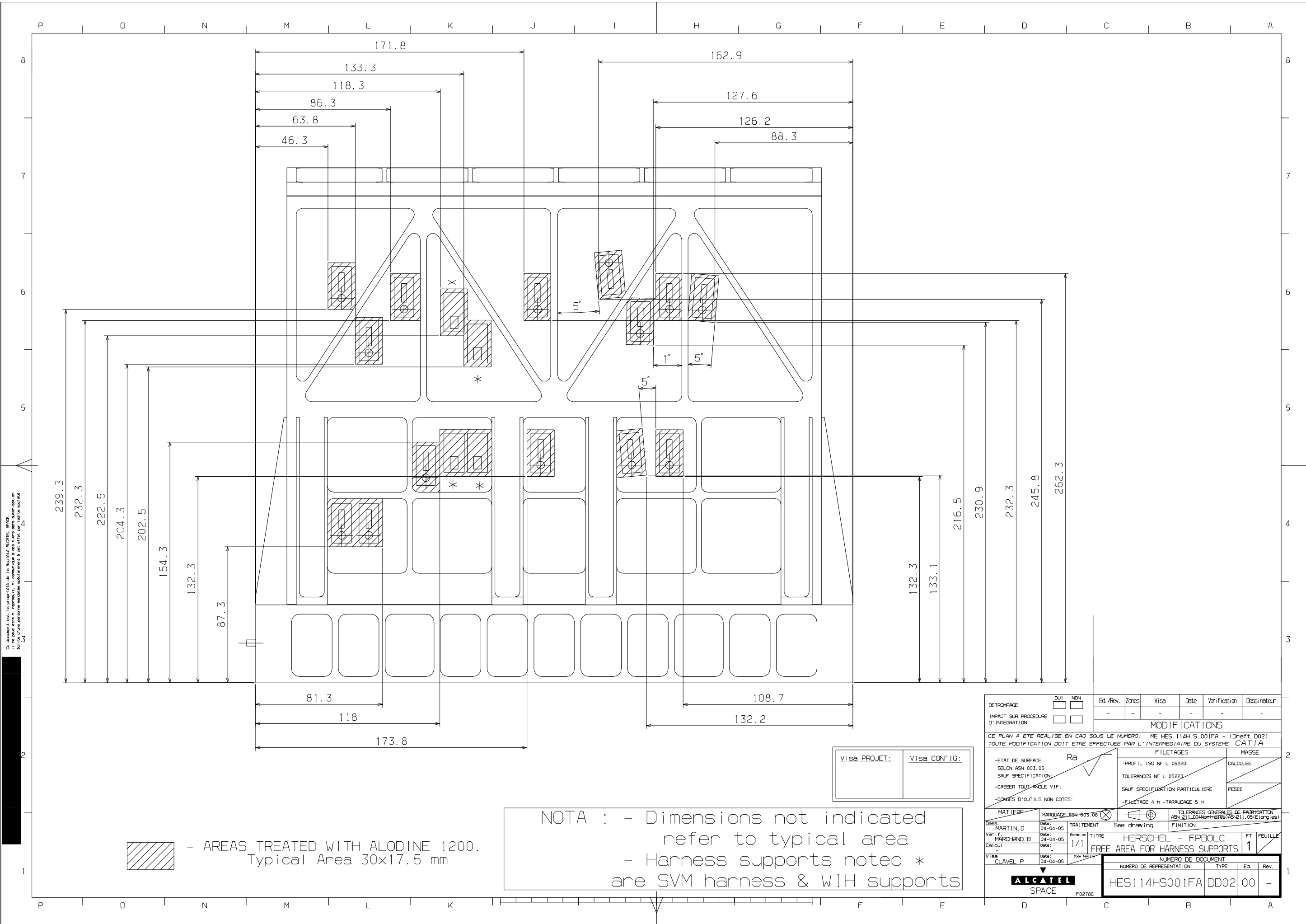
Visa PROJET:    Visa CONFIG:

DETROMPAGE	<input type="checkbox"/> OUI <input type="checkbox"/> NON	Ed./Rev.	Zones	Visa	Date	Verification	Dessinateur
IMPACT SUR PROCEDURE D'INTEGRATION	<input type="checkbox"/> <input type="checkbox"/>	-	-	-	-	-	-
MODIFICATIONS							
CE PLAN A ETE REALISE EN CAO SOUS LE NUMERO: ME.HES.114H.S.001FA.- (Draft 001) TOUTE MODIFICATION DOIT ETRE EFFECTUEE PAR L'INTERMEDIAIRE DU SYSTEME CATIA							
-ETAT DE SURFACE SELON ASN 003.06 SAUF SPECIFICATION:		Ra		FILETAGES		MASSE	
-CASSER TOUT ANGLE VIF:		-CONGES D'OUTILS NON COTES:		-PROFIL 150 NF L 05220 TOLERANCES NF L 05223		CALCULEE	
MATERIE		MARQUAGE ASN-003.06		TOLERANCES GENERALES DE FABRICATION ASN 211-004/ASNT005/ASNT11-051E (en gres)		PESEE	
DESS: MARTIN.D	Date: 04-04-05	TRAITEMENT	See drawing	FINITION			
VER: MARCHAND.B	Date: 04-04-05	Ecriture		TITRE		HERSCHEL - FPBOLC	
Calcul	Date: -	-		-		FT FEUILLE	
Visa	Date: 04-04-05	-		-		1	
NUMERO DE DOCUMENT							
NUMERO DE REPRESENTATION				TYPE		Ed. Rev.	
HES114HS001FA				DD01		00 -	
ALCATEL SPACE FG276C							

Ce document est la propriété de la société ALCATEL SPACE. Toute réimpression ou utilisation non autorisée sans la permission écrite de la société ALCATEL SPACE est formellement interdite.



Ce document est la propriété de la Société ALCATEL SPACE. Toute réimpression ou utilisation non autorisée sans la permission écrite de la Société ALCATEL SPACE est formellement interdite.



- AREAS TREATED WITH ALODINE 1200.  
Typical Area 30x17.5 mm

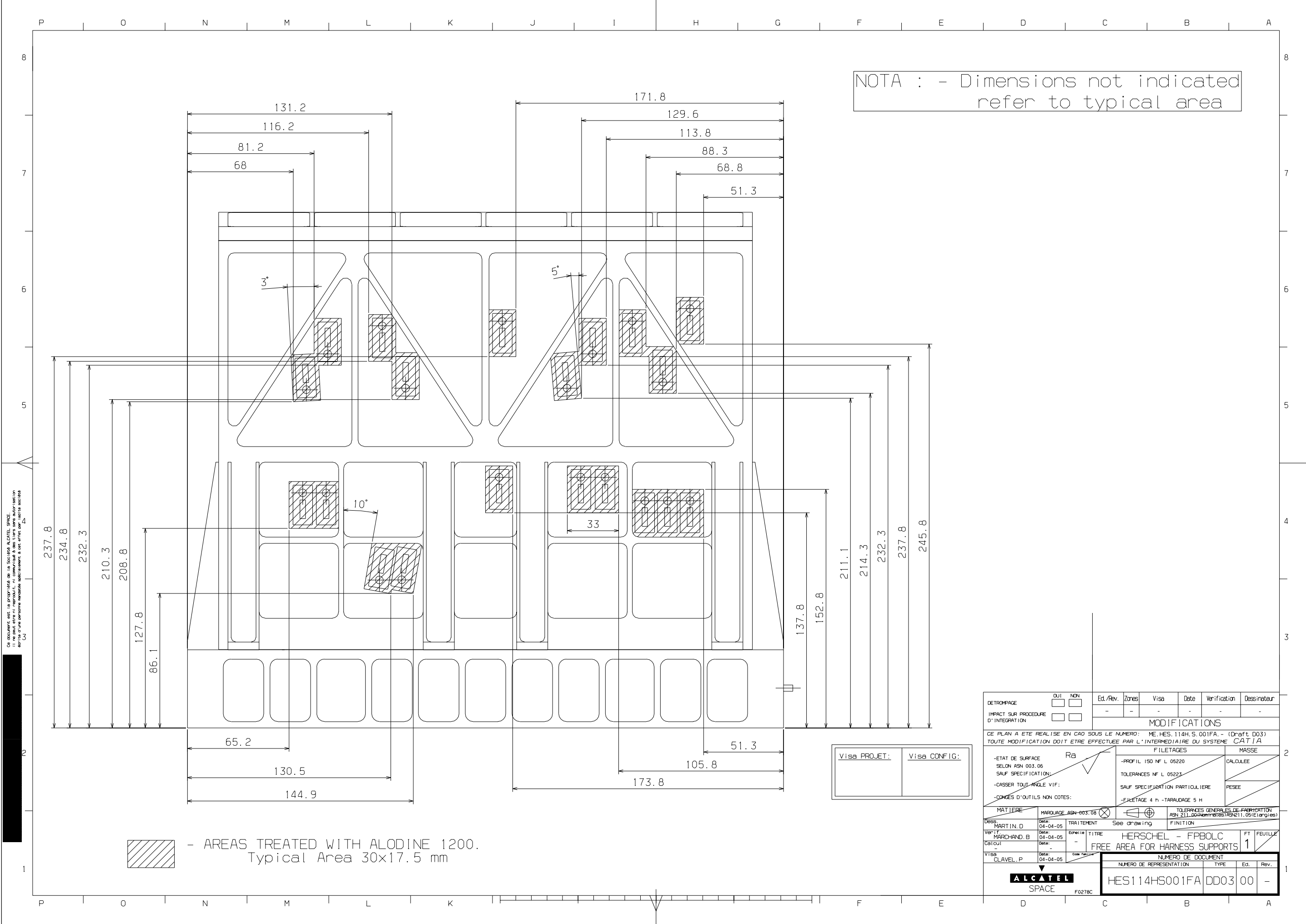
NOTA : - Dimensions not indicated refer to typical area  
- Harness supports noted \* are SVM harness & WIH supports

Visa PROJET:      Visa CONFIG:

DETROUPE	<input type="checkbox"/> OUI <input type="checkbox"/> NON	Ed./Rev.	Zones	Visa	Date	Verification	Dessinateur
IMPACT SUR PROCEDURE D'INTEGRATION	<input type="checkbox"/> OUI <input type="checkbox"/> NON	-	-	-	-	-	-
MODIFICATIONS							
CE PLAN A ETE REALISE EN CAO SOUS LE NUMERO: ME_HES_114H_S_001FA - (Draft 002) TOUTE MODIFICATION DOIT ETRE EFFECTUEE PAR L'INTERMEDIAIRE DU SYSTEME CATIA							
-ETAT DE SURFACE SELON ASN 003.06 SAUF SPECIFICATION:				R <sub>a</sub>		FILETAGES	
-CASSEZ TOUT ANGLE VIF:						MASSE	
-CONDES D'OUTILS NON COTES:						CALCULEE	
MATERIE				MARQUAGE ASN-003.08		TOLERANCES GENERALES DE FABRICATION ASN 211.00 (nombres) / ASN 211.05 (Elongies)	
Dess: MARTIN.D		Date: 04-04-05		TRAITEMENT		FINITION	
Verif: MARCHAND.B		Date: 04-04-05		Echelle: 1/1		TITRE	
Calcul: -		Date: -		Code famille: -		HERSCHEL - FPBOLC FREE AREA FOR HARNESS SUPPORTS	
Visa: CLAVEL.P		Date: 04-04-05		Code famille: -		NUMERO DE DOCUMENT	
						NUMERO DE REPRESENTATION	
						TYPE	
						Ed.	
						Rev.	
						1	
						00	
						-	
						F0278C	

**ALCATEL**  
SPACE

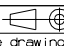
HERSCHEL - FPBOLC  
FREE AREA FOR HARNESS SUPPORTS  
NUMERO DE REPRESENTATION: HES114HS001FA  
TYPE: DD02  
Ed.: 00  
Rev.: -



NOTA : - Dimensions not indicated refer to typical area

 - AREAS TREATED WITH ALODINE 1200.  
Typical Area 30x17.5 mm

Visa PROJÉT:    Visa CONFIG:

DETROMPAGE	<input type="checkbox"/> OUI	<input type="checkbox"/> NON	Ed./Rev.	Zones	Visa	Date	Verification	Dessinateur
IMPACT SUR PROCEDURE D'INTEGRATION	<input type="checkbox"/>	<input type="checkbox"/>	-	-	-	-	-	-
MODIFICATIONS								
CE PLAN A ETE REALISE EN CAO SOUS LE NUMERO: ME.HES.114H.S.001FA. - (Draft D03)								
TOUTE MODIFICATION DOIT ETRE EFFECTUEE PAR L'INTERMEDIAIRE DU SYSTEME CATIA								
-ETAT DE SURFACE Ra			FILETAGES			MASSE		
SECON ASN 003.06			-PROFIL 150 NF L 05220			CALCULEE		
SAUF SPECIFICATION:			TOLERANCES NF L 05223			PESEE		
-CASSER TOUT ANGLE VIF:			SAUF SPECIFICATION PARTICULIERE					
-CONGES D'OUTILS NON COTES:			-FILETAGE 4 n -TARAUDAGE 5 H					
MATIERE	MARQUAGE ASN-003.08		TOLERANCES GENERALES DE FABRICATION ASN 211.004(voir notes)ASN211.05(Elargies)					
Dess: MARTIN.D	Date: 04-04-05	TRAITEMENT	See drawing			FINITION		
Verif: MARCHAND.B	Date: 04-04-05	Echelle	TITRE			FT FEUILLE		
Calcul:	Date:	HERSCHEL - FPBOLC			1			
Visa: CLAVEL.P	Date: 04-04-05	FREE AREA FOR HARNESS SUPPORTS						
<b>ALCATEL</b> SPACE F0278C			NUMERO DE DOCUMENT					
			NUMERO DE REPRESENTATION					
			TYPE					
			Ed.					
			Rev.					
			HES114HS001FA DD03 00					

# HERSCHEL DRAWING

## CHANGE RECORD

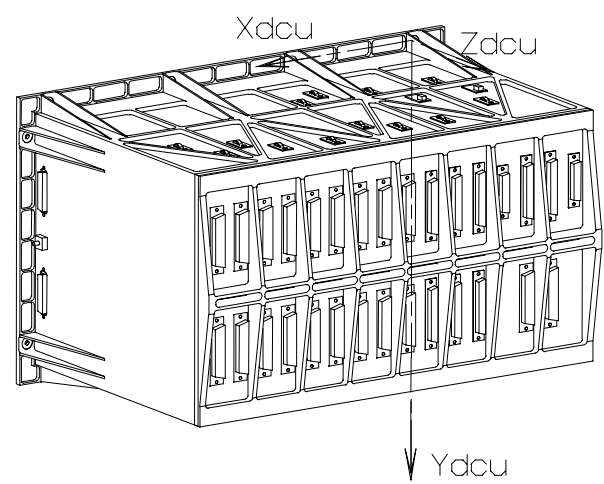
DRAWING TITLE                      HSDCU FREE AREAS FOR HRN SUPPORTS      Date: 04/04/2005

REFERENCE DRAWING      ME.HES.114H.S.002FA                      Indice: A

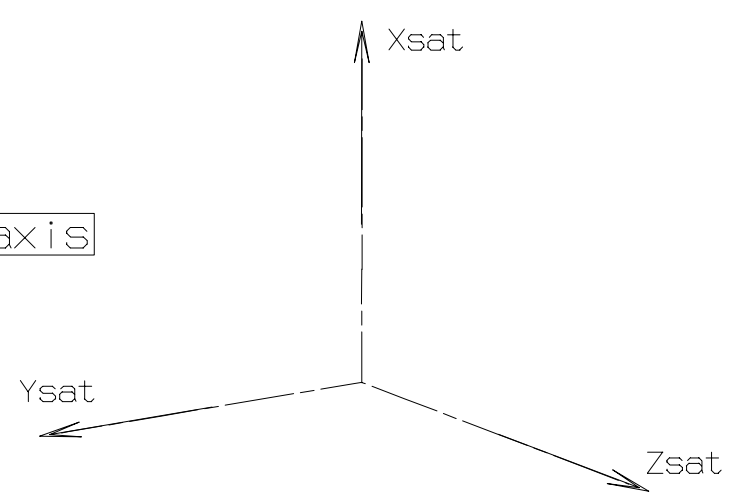
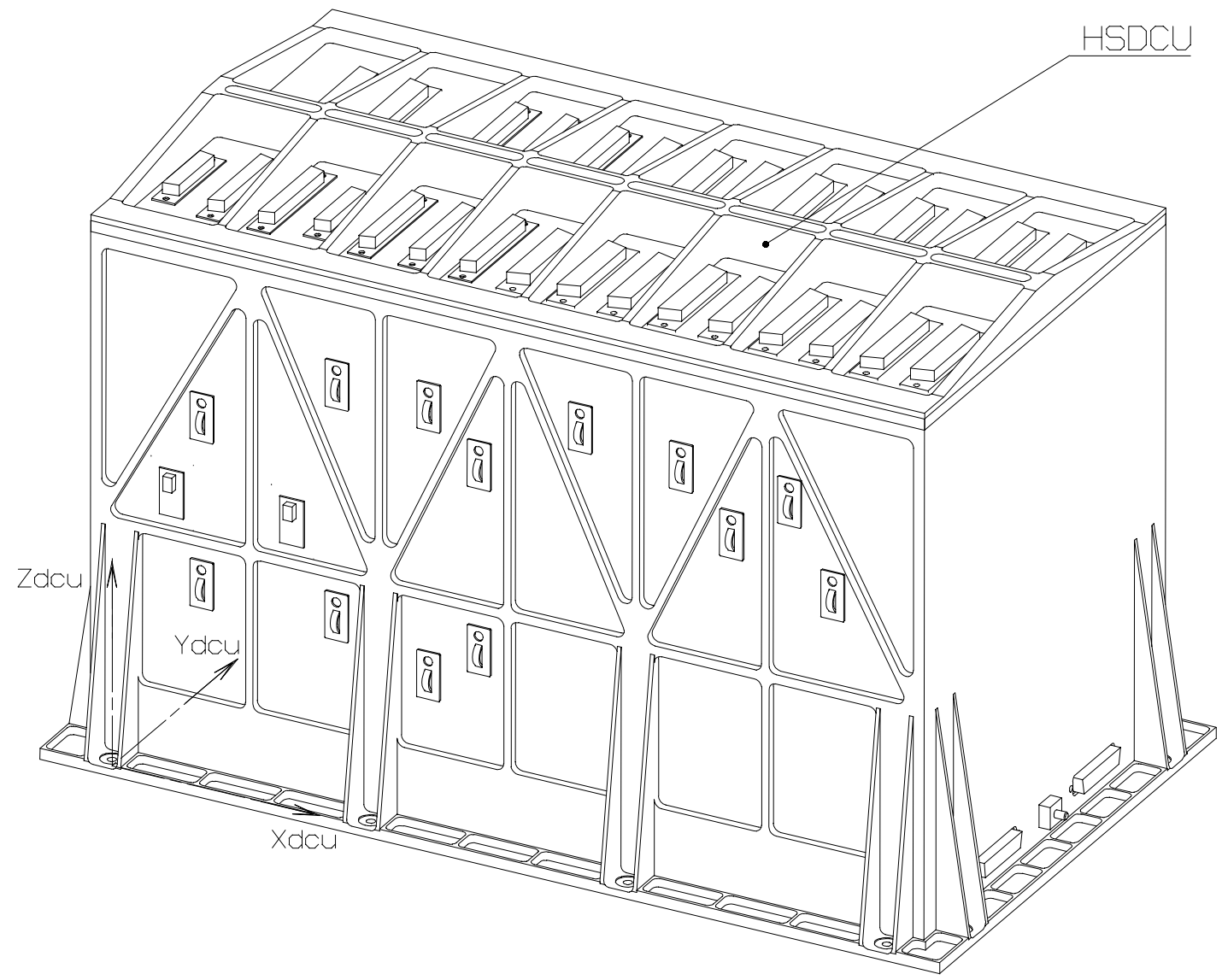
NUMBER OF SHEET              2

Ind	Date	Modifications	Approbation
-	04/04/2005	INITIAL DRAWING	

Ce document est la propriété de la Société ALCATEL SPACE.  
 Toute réimpression, utilisation non autorisée sans la permission écrite de la Société ALCATEL SPACE est formellement interdite.  
 Toute violation de ces droits est punie conformément à l'article 1728 du Code de Commerce et à l'article 425 du Code de Procédure Pénale.



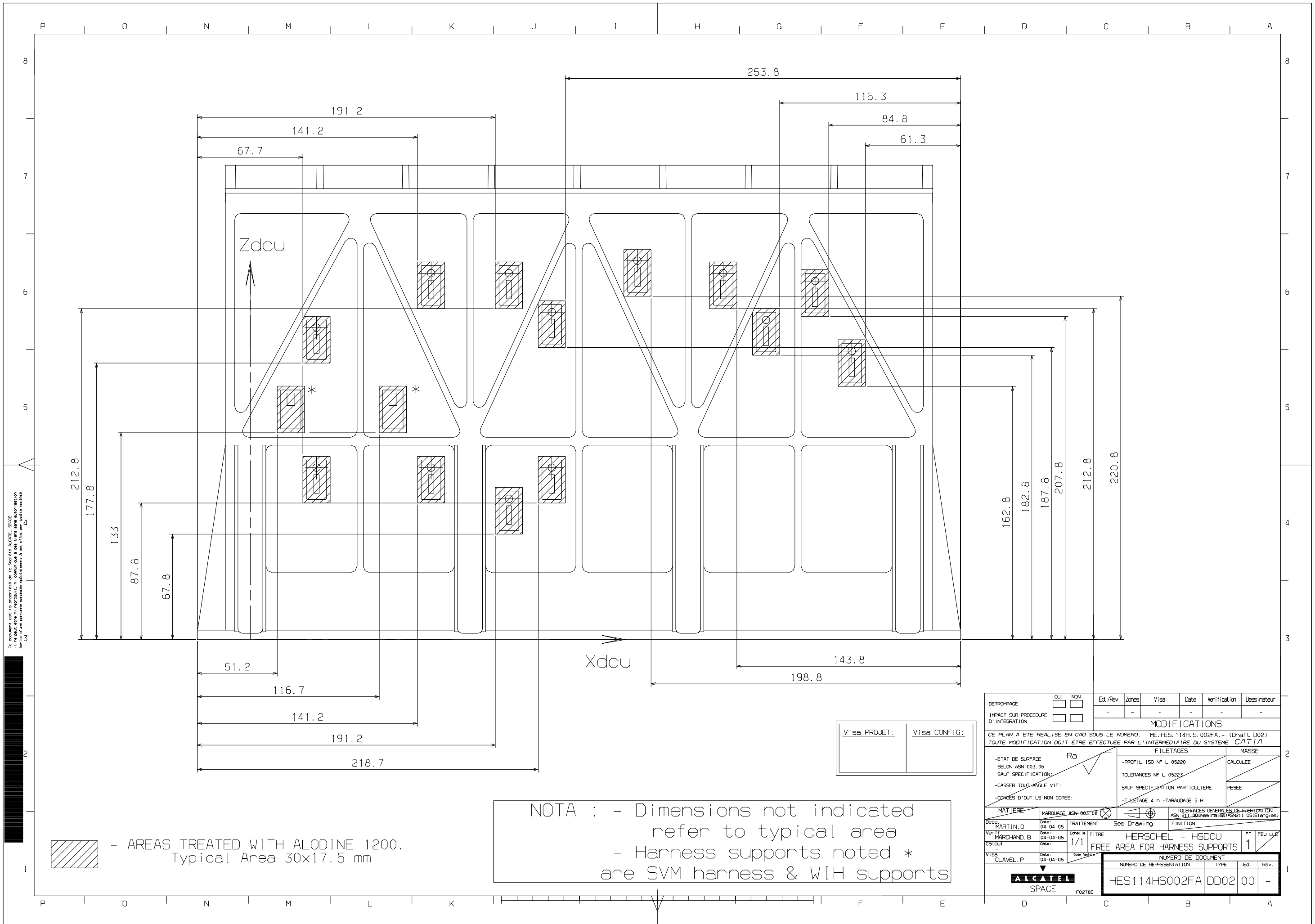
HSDCU in Spacecraft axis



- AREAS TREATED WITH ALODINE 1200.  
 Typical Area 30x17.5 mm

Visa PROJET: \_\_\_\_\_  
 Visa CONFIG: \_\_\_\_\_

DETROUPE		OUI	NON	Ed./Rev.	Zones	Visa	Date	Verification	Dessinateur		
IMPACT SUR PROCEDURE D'INTEGRATION		<input type="checkbox"/>	<input type="checkbox"/>	-	-	-	-	-	-		
MODIFICATIONS											
CE PLAN A ETE REALISE EN CAO SOUS LE NUMERO: ME.HES.114H.S.002FA. - (Draft 001)											
TOUTE MODIFICATION DOIT ETRE EFFECTUEE PAR L'INTERMEDIAIRE DU SYSTEME CATIA											
-ETAT DE SURFACE		Ra			FILLETTAGES		MASSE				
SECON ASN 003.06		-PROFIL 150 NF L 05220			TOLERANCES NF L 05223		CALCULEE				
SAUF SPECIFICATION:		-CASSER TOUT ANGLE VIF:			SAUF SPECIFICATION PARTICULIERE		PESEE				
-CONDES D'OUTILS NON COTES:		-FILETTAGE 4 h -TARAUDAGE 5 H									
MATIERE	MARQUAGE ASN-003.06	<input checked="" type="checkbox"/>		<input type="checkbox"/>		TOLERANCES GENERALES DE FINITION					
Dess: MARTIN.D	Date: 04-04-05	TRAITEMENT		See Drawing		FINITION					
Verif: MARCHAND.B	Date: 04-04-05	TITRE		HERSCHEL - HSDCU		FT FEUILLE					
Calcul:	Date:	TITRE		FREE AREA FOR HARNESS SUPPORTS		1					
Visa: CLAVEL.P	Date: 04-04-05	Code famille:				NUMERO DE DOCUMENT					
						NUMERO DE REPRESENTATION		TYPE		Ed. Rev.	
						HES114H5002FA		DDO1		00 -	
						ALCATEL SPACE		F0278C			



Ce document est la propriété de la Société ALCATEL SPACE.  
 Il ne peut être ni reproduit, ni communiqué à des tiers sans autorisation  
 écrite de la personne responsable. Toute violation de ces conditions sera  
 poursuivie conformément aux lois, décrets et règlements en vigueur.

- AREAS TREATED WITH ALODINE 1200.  
 Typical Area 30x17.5 mm

NOTA : - Dimensions not indicated  
 refer to typical area  
 - Harness supports noted \*  
 are SVM harness & WIH supports

Visa PROJET: \_\_\_\_\_  
 Visa CONFIG: \_\_\_\_\_

DETROMPAGE	OUI	NON	Ed./Rev.	Zones	Visa	Date	Verification	Dessinateur
IMPACT SUR PROCEDURE D'INTEGRATION	<input type="checkbox"/>	<input type="checkbox"/>	-	-	-	-	-	-
MODIFICATIONS								
CE PLAN A ETE REALISE EN CAO SOUS LE NUMERO: ME.HES.114H.S.002FA. - (Draft D02)								
TOUTE MODIFICATION DOIT ETRE EFFECTUEE PAR L'INTERMEDIAIRE DU SYSTEME CATIA								
-ETAT DE SURFACE SELON ASN 003.06 SAUF SPECIFICATION:	Ra	FILETAGES	MASSE					
-CASSER TOUT ANGLE VIF:		-PROFIL ISO NF L 05220	CALCULEE					
-CONGES D'OUTILS NON COTES:		TOLERANCES NF L 05223	PESEE					
		SAUF SPECIFICATION PARTICULIERE						
		-FILETAGE 4 h - TARAUDAGE 5 H						
MATIERE	MARQUAGE	TRAITEMENT	TOLERANCES GENERALES DE FABRICATION					
Dess: MARTIN.D	04-04-05	See Drawing	ASN 211.004/Annexes/AS211.051(1)eng(06)					
Verif: MARCHAND.B	04-04-05	FINITION						
CATUI		1/1	HERSCHEL - HSDCU					
Visa: CLAVEL.P	04-04-05		FREE AREA FOR HARNESS SUPPORTS					
			NUMERO DE DOCUMENT					
			NUMERO DE REPRESENTATION					
			HES114HS002FA DD02 00 -					
			ALCATEL SPACE F0278C					

# HERSCHEL DRAWING

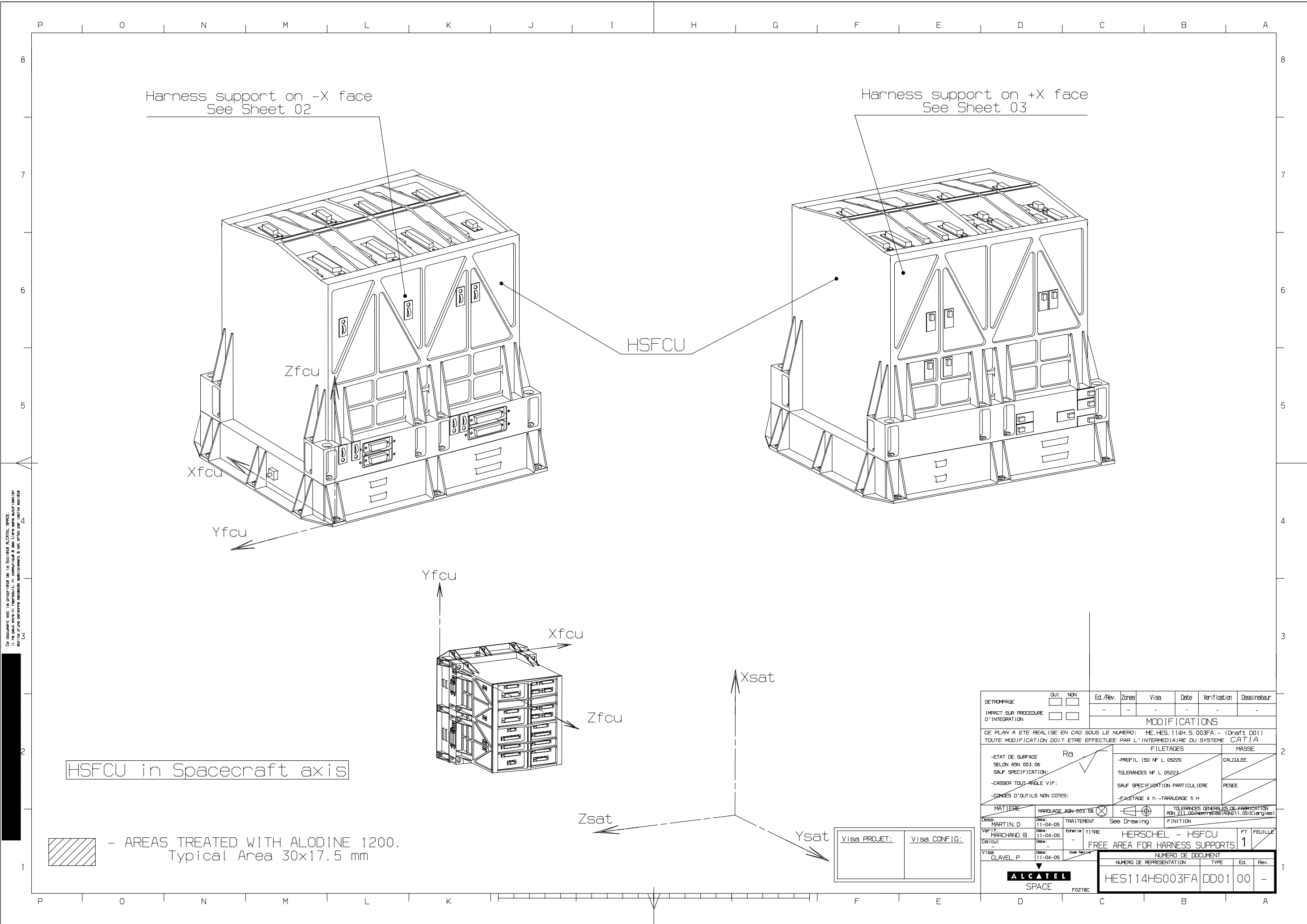
## CHANGE RECORD

DRAWING TITLE                      HSFCU FREE AREAS FOR HRN SUPPORTS      Date: 11/04/2005

REFERENCE DRAWING      ME.HES.114H.S.003FA                      Indice: A

NUMBER OF SHEET              3

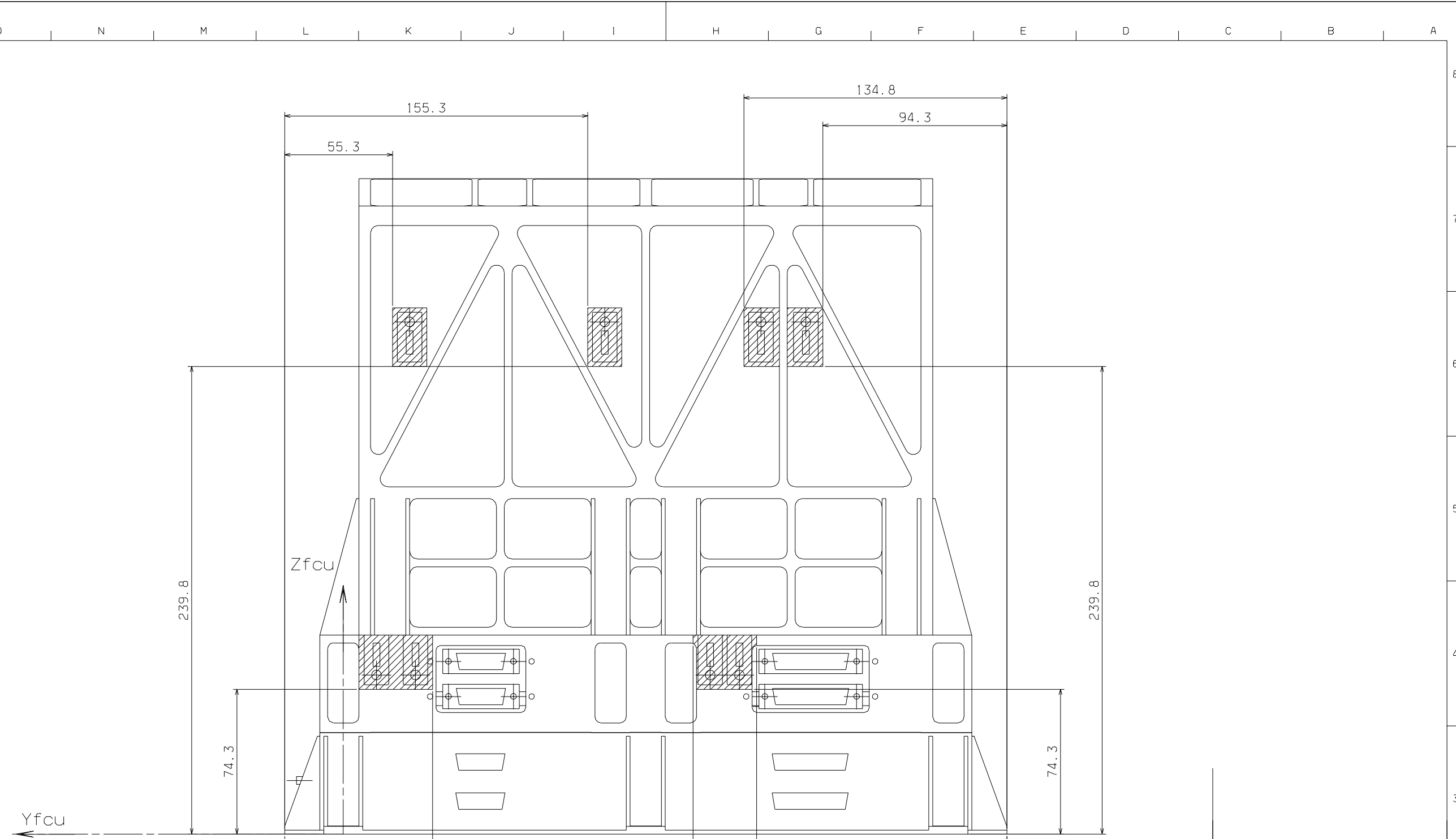
Ind	Date	Modifications	Approbation
-	11/04/2005	INITIAL DRAWING	



Ce document est la propriété de la Société ALCATEL SPACE. Toute réimpression ou utilisation non autorisée sans la permission écrite de la Société ALCATEL SPACE est formellement interdite.

DETROMPAGE	<input type="checkbox"/>	NON	Ed./Rev.	Zones	Visa	Date	Verification	Dessinateur
IMPACT SUR PROCEDURE D'INTEGRATION	<input type="checkbox"/>							
MODIFICATIONS								
CE PLAN A ETE REALISE EN CAO SOUS LE NUMERO: ME.HES.114H.S.003FA. - (Draft D01) TOUTE MODIFICATION DOIT ETRE EFFECTUEE PAR L'INTERMEDIAIRE DU SYSTEME CATIA								
-ETAT DE SURFACE SELON ASN 003.06 SAUF SPECIFICATION:			Ra			FILETAGES		
-CASSER TOUT ANGLE VIF:			-PROFIL 150 NF L 05220			MASSE		
-CONGES D'OUTILS NON COTES:			TOLERANCES NF L 05223			CALCULEE		
MATERIE			MARDUAGE ASN-003.06			RESEE		
Date: MARTIN.D 11-04-05			TRAITEMENT			FINITION		
Date: MARCHAND.B 11-04-05			Echelle			TITRE		
Date: CLAVEL.P 11-04-05			TITRE			HERSCHEL - HSFCU		
			TITRE			FREE AREA FOR HARNESS SUPPORTS		
			NUMERO DE DOCUMENT			NUMERO DE REPRESENTATION		
			Ed.			Rev.		
			1			00		
<b>ALCATEL</b>			SPACE			F0278C		

Ce document est la propriété de la Société ALCATEL SPACE.  
 Il ne peut être ni reproduit, ni communiqué à des tiers sans autorisation  
 écrite d'une personne habilitée spécialement à cet effet par cette société.



Harness supports on -X face (Only CRYO harness supports)



- AREAS TREATED WITH ALODINE 1200.  
Typical Area 30x17.5 mm

NOTA : - Dimensions not indicated  
refer to typical area

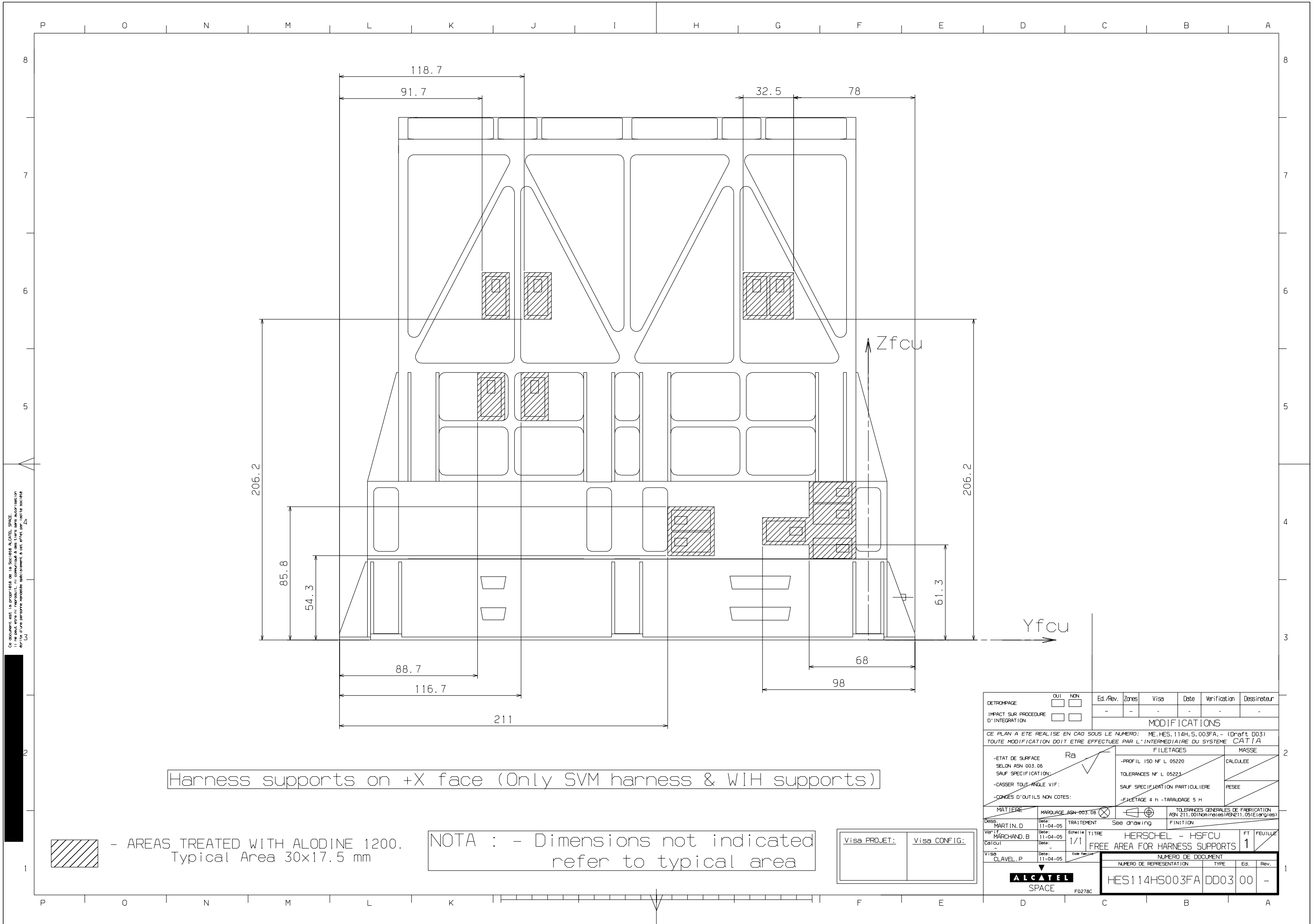
Visa PROJET:	Visa CONFIG:
--------------	--------------

DETROMPAGE	<input type="checkbox"/> OUI <input type="checkbox"/> NON	Ed./Rev.	Zones	Visa	Date	Verification	Dessinateur
IMPACT SUR PROCEDURE D'INTEGRATION	<input type="checkbox"/> OUI <input type="checkbox"/> NON	-	-	-	-	-	-
MODIFICATIONS							
CE PLAN A ETE REALISE EN CAO SOUS LE NUMERO: ME_HES_114H_S_003FA - (Draft 002)							
TOUTE MODIFICATION DOIT ETRE EFFECTUEE PAR L'INTERMEDIAIRE DU SYSTEME CATIA							
-ETAT DE SURFACE SELON ASN 003.06 SAUF SPECIFICATION:	Ra	FILETAGES	MASSE				
-CASSER TOUT ANGLE VIF:		-PROFIL ISO NF L 05220	CALCULEE				
-CONGES D'OUTILS NON COTES:		TOLERANCES NF L 05223	PESEE				
		SAUF SPECIFICATION PARTICULIERE					
		-FILETAGE 4 h -TARAUDAGE 5 H					
MATIERE	MARQUAGE ASN-003.06	TOLERANCES GENERALES DE FABRICATION ASN 211.001 Norme B13/A2E11.05 (Elongies)					
Dess: MARTIN.D	Date: 11-04-05	TRAITEMENT	See Drawing	FINITION			
Verif: MARCHAND.B	Date: 11-04-05	Echelle	1/1	TITRE	HERSCHEL - HSFCU		
Calcut	Date: -			FREE AREA FOR HARNESS SUPPORTS			
Visa: CLAVEL.P	Date: 11-04-05			NUMERO DE DOCUMENT			
				NUMERO DE REPRESENTATION			
				TYPE			
				Ed.			
				Rev.			
				HES114HS003FA			
				DD02			
				00			
				-			



NUMERO DE REPRESENTATION: HES114HS003FA  
 TYPE: DD02  
 Ed.: 00  
 Rev.: -





Harness supports on +X face (Only SVM harness & WIH supports)

 - AREAS TREATED WITH ALODINE 1200.  
Typical Area 30x17.5 mm

NOTA : - Dimensions not indicated refer to typical area

Visa PROJET:      Visa CONFIG:

DETROMPAGE	<input type="checkbox"/> OUI	<input type="checkbox"/> NON	Ed./Rev.	Zones	Visa	Date	Verification	Dessinateur
IMPACT SUR PROCEDURE D'INTEGRATION	<input type="checkbox"/>	<input type="checkbox"/>	-	-	-	-	-	-
MODIFICATIONS								
CE PLAN A ETE REALISE EN CAO SOUS LE NUMERO: ME, HES, 114H, S, 003FA, - (Draft D03)								
TOUTE MODIFICATION DOIT ETRE EFFECTUEE PAR L'INTERMEDIAIRE DU SYSTEME CATIA								
- ETAT DE SURFACE SELON ASN 003.06 SAUF SPECIFICATION:	Ra	FILETAGES	MASSE					
- CASSER TOUT ANGLE VIF:		- PROFIL ISO NF L 05220	CALCULEE					
- CONCES D'OUTILS NON COTES:		TOLERANCES NF L 05223	PESEE					
		SAUF SPECIFICATION PARTICULIERE						
		- FILETAGE 4 H - TARALDAGE 9 H						
MATIERE	MARQUAGE ASN-003.06	TOLERANCES GENERALES DE FABRICATION ASN 211.00 (Normales) / ASN 211.05 (Elongues)						
Dess: MARTIN, D	Date: 11-04-05	TRAITEMENT	See drawing	FINITION				
Verif: MARCHAND, B	Date: 11-04-05	Echelle	1/1	TITRE				FT
Calcut: -	Date: -	FREE AREA FOR HARNESS SUPPORTS				1	FEUILLE	
Visa: CLAVEL, P	Date: 11-04-05	NUMERO DE DOCUMENT						
			NUMERO DE REPRESENTATION		TYPE	Ed.	Rev.	
			HES114HS003FA		DD03 00	-	-	
			ALCATEL SPACE F0278C					

# HERSCHEL DRAWING

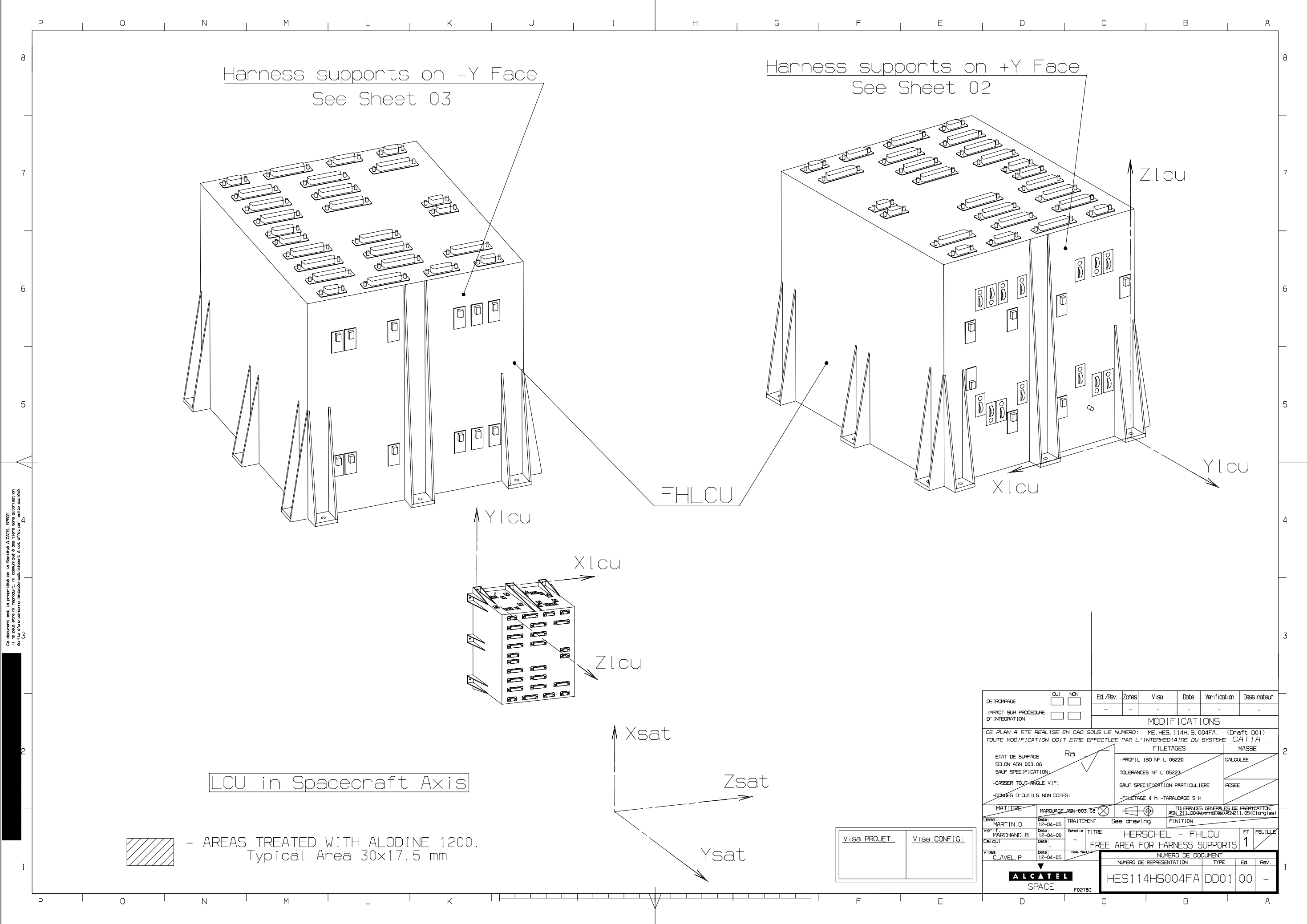
## CHANGE RECORD

DRAWING TITLE                      FHLCU FREE AREAS FOR HRN SUPPORTS      Date: 12/04/2005

REFERENCE DRAWING      ME.HES.114H.S.004FA                      Indice: A

NUMBER OF SHEET              3

Ind	Date	Modifications	Approbation
-	12/04/2005	INITIAL DRAWING	



Ce document est la propriété de la Société ALCATEL SPACE.  
 Il ne peut être ni reproduit, ni communiqué à des tiers sans autorisation  
 écrite d'un personnel spécialement autorisé à cet effet par la Société.

DETROMPAGE	<input type="checkbox"/> OUI <input type="checkbox"/> NON	Ed./Rev.	Zones	Visa	Date	Verification	Dessinateur
IMPACT SUR PROCEDURE D'INTEGRATION	<input type="checkbox"/> <input type="checkbox"/>	-	-	-	-	-	-
MODIFICATIONS							
CE PLAN A ETE REALISE EN CAO SOUS LE NUMERO: ME.HES.114H.S.004FA. - (Draft D01) TOUTE MODIFICATION DOIT ETRE EFFECTUEE PAR L'INTERMEDIAIRE DU SYSTEME CATIA							
-ETAT DE SURFACE SELON ASN 003.06 SAUF SPECIFICATION:		FILETAGES		MASSE			
-CASSER TOUT ANGLE VIF:		-PROFIL ISO NF L 09220		CALCULEE			
-CONGES D'OUTILS NON COTES:		TOLERANCES NF L 05223		PESEE			
		-FILETAGE 4 n - TARAUDAGE 5 H					
MATIERE	MARQUAGE ASN-003.06	TRAITEMENT		TOLERANCES GENERALES DE FABRICATION ASN 211.00 (nominal) 06/79/211.05 (E) (g) (es)			
Dess: MARTIN.D	Date: 12-04-05	See drawing		FINITION			
Verif: MARCHAND.B	Date: 12-04-05	TITRE		HERSCHEL - FHL CU			
Calcul: -	Date: -	FREE AREA FOR HARNESS SUPPORTS		FT FEUILLE 1			
Visa: CLAVEL.P	Date: 12-04-05	Code Feuille		NUMERO DE DOCUMENT			
				NUMERO DE REPRESENTATION			
				TYPE			
				Eq.			
				Rev.			
				HES114HS004FA DDO1 00			

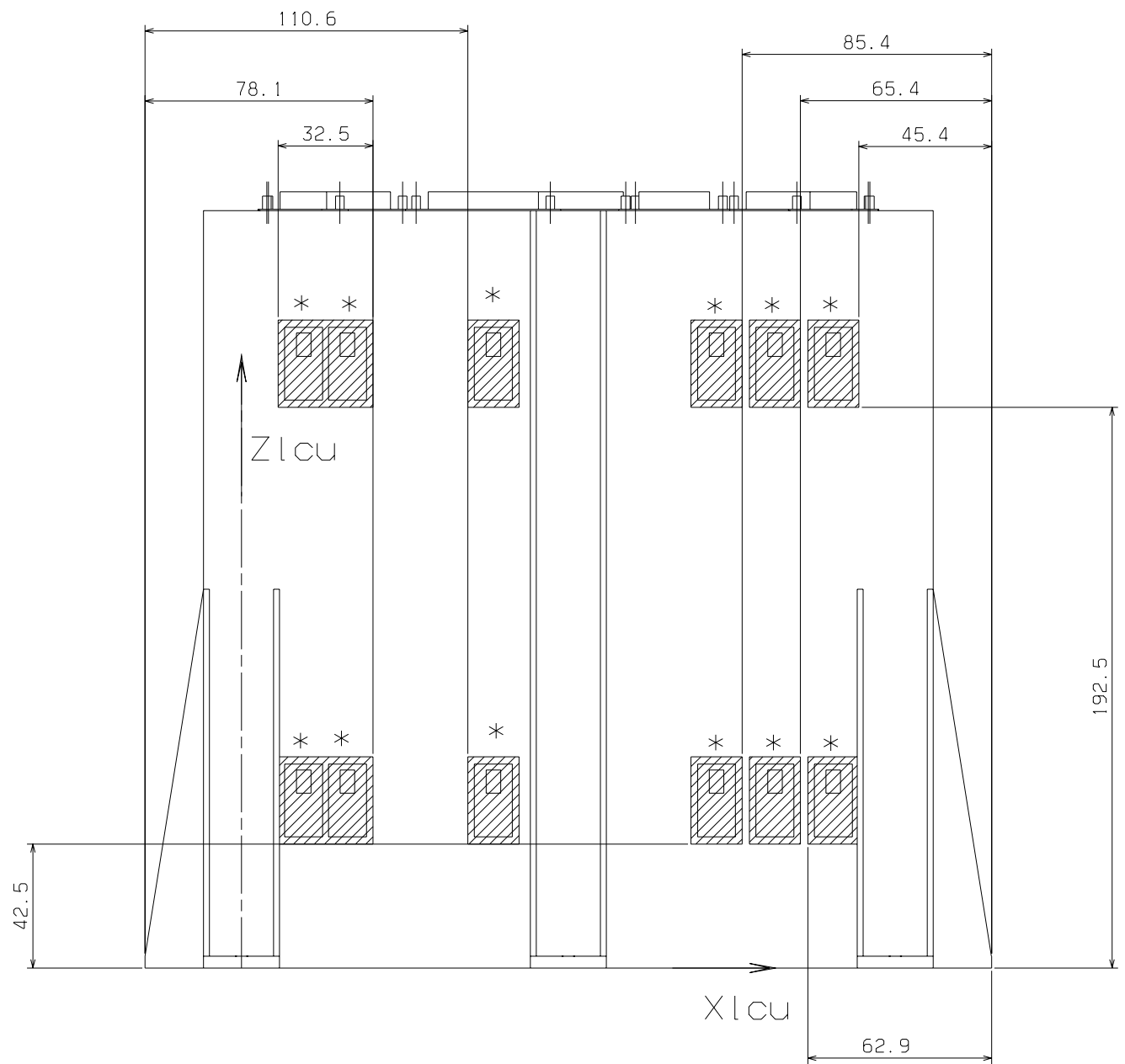
Visa PROJET:      Visa CONFIG:

**ALCATEL**  
SPACE F0278C



P O N M L K J I H G F E D C B A

NOTA : - Dimensions not indicated refer to typical area  
 - Harness supports noted \* are SVM harness & WIH supports



 - AREAS TREATED WITH ALODINE 1200.  
 Typical Area 30x17.5 mm

Visa PROJET:      Visa CONFIG:

DETROMPAGE	OUI <input type="checkbox"/>	NON <input type="checkbox"/>	Ed./Rev.	Zones	Visa	Date	Verification	Dessinateur
IMPACT SUR PROCEDURE D'INTEGRATION	<input type="checkbox"/>	<input type="checkbox"/>	-	-	-	-	-	-
MODIFICATIONS								
CE PLAN A ETE REALISE EN CAO SOUS LE NUMERO: ME.HES.114H.S.004FA. - (Draft. 003)								
TOUTE MODIFICATION DOIT ETRE EFFECTUEE PAR L'INTERMEDIAIRE DU SYSTEME CATIA								
-ETAT DE SURFACE SELON ASN 003.05	Ra		FILETAGES			MASSE		
SAUF SPECIFICATION:			-PROFIL 150 NF L 05220			CALCULEE		
-CASSER TOUT ANGLE VIF:			TOLEANCES NF L 05223			PESEE		
-CONGES D'OUTILS NON COTES:			SAUF SPECIFICATION PARTICULIERE					
			-FILETAGE 4 h -TARAUDAGE 5 H					
MATIERE	MARQUAGE ASN-003.08	<input checked="" type="checkbox"/>	TOLEANCES GENERALES DE FABRICATION			ASN 211.004 (mm) / ASN 211.05 (Elongies)		
Dess: MARTIN.D	Date: 12-04-05	TRAITEMENT	See drawing			FINITION		
Ver: F MARCHAND.B	Date: 12-04-05	Echelle	1/1			TITRE		
Calcut	Date: -				HERSCHEL - FHLCU			
Visa	Date: 12-04-05				FREE AREA FOR HARNESS SUPPORTS			
NUMERO DE DOCUMENT								
NUMERO DE REPRESENTATION			TYPE	Ed.	Rev.			
HES114HS004FA			DD03	00	-			
ALCATEL SPACE F0278C								

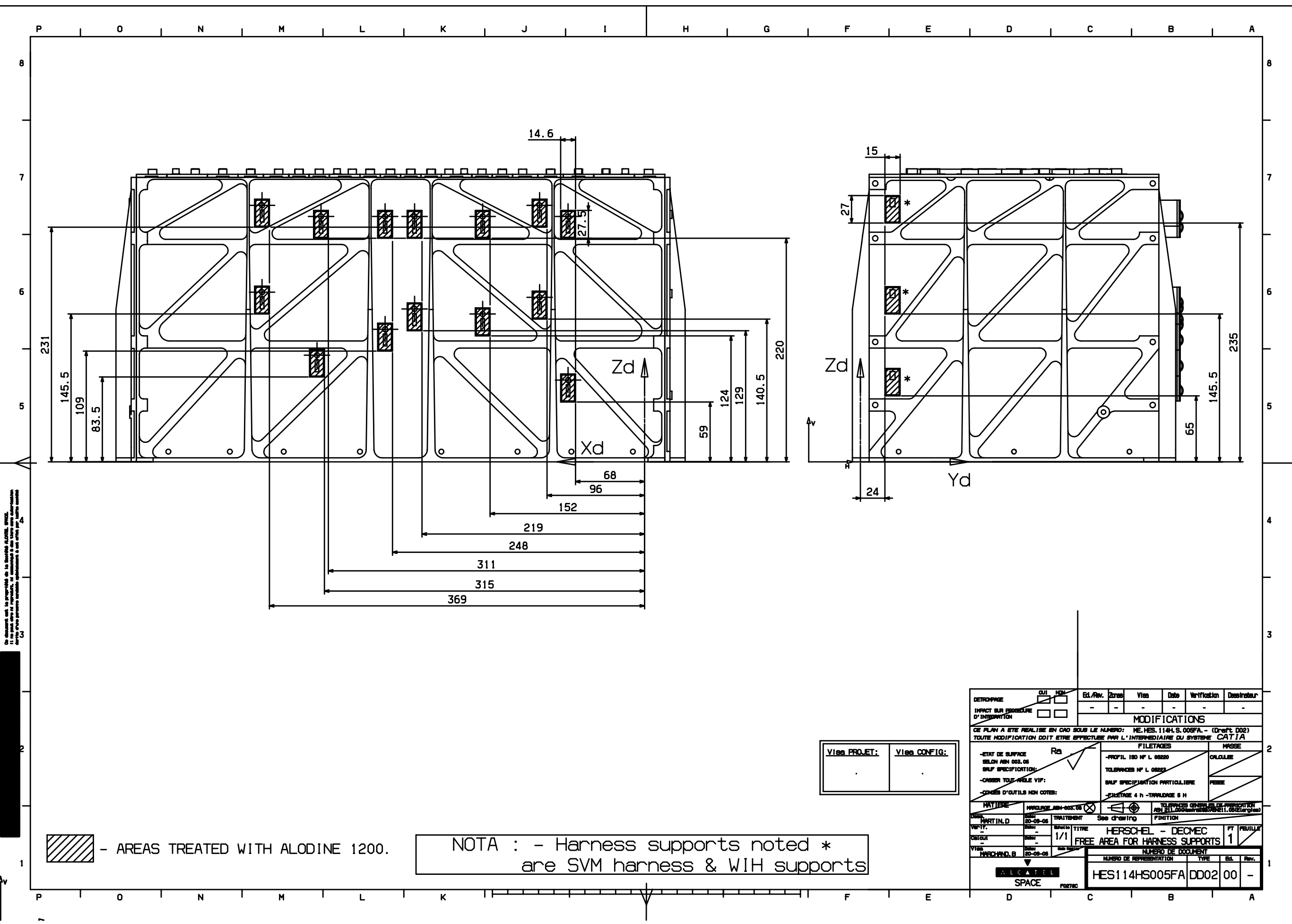
Ce document est la propriété de la Société ALCATEL SPACE. Il ne peut être ni reproduit, ni communiqué à des tiers sans autorisation écrite d'une personne habilitée spécialement à cet effet par la dite société.

P O N M L K J I H G F E D C B A





Ce document est la propriété de la Direction ALSTOM. Toute réimpression ou utilisation non autorisée sans la permission écrite de la Direction est formellement interdite.



- AREAS TREATED WITH ALODINE 1200.

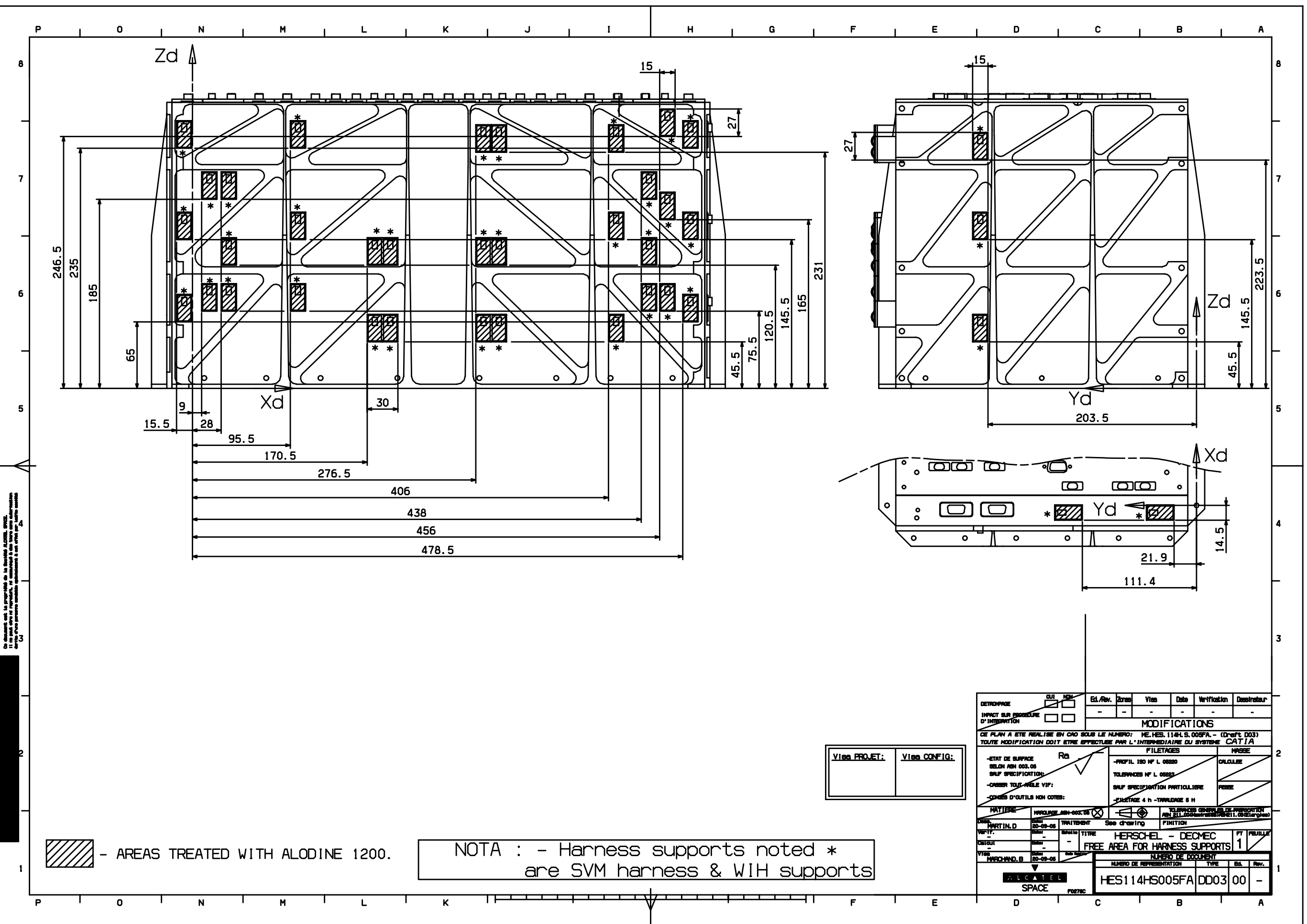
NOTA : - Harness supports noted \* are SVM harness & WIH supports

Visa PROJET:    Visa CONFIG:

DETROPAGE	<input type="checkbox"/> OUI <input type="checkbox"/> NON	Ed./Rev.	Zone	Visa	Date	Verification	Coordinateur
IMPACT SUR PROCEDURE D'INTERVENTION	<input type="checkbox"/> OUI <input type="checkbox"/> NON	<b>MODIFICATIONS</b>					
CE PLAN A ETE REALISE EN CAO SOUS LE NUMERO: HE.HES.114HS.005FA. - (Draft D02) TOUTE MODIFICATION DOIT ETRE EFFECTUEE PAR L'INTERMEDIAIRE DU SYSTEME CATIA							
-ETAT DE SURFACE SELON AIN 003.05		Ra		-PROFIL ISO N° L 06220		MASSE	
-CASSER TOUT FILET VIF:				-CHIFFRE 4 h -TRAVAILLER 6 H		OUI	
-CONES D'OUTILS NON COTES:						NON	
MATERIE		HYPOALUMINEUM-003.05		TRAITEMENT		TOLERANCES GENERALES DE FINITION AIN 211.000	
PARTIND		10-05-05		See drawing		FINITION	
VERIF.		1/1		TITRE		HERSCHEL - DECMC	
DREUIL				FREE AREA FOR HARNESS SUPPORTS		PT 1	
VISE		10-05-05		NUMERO DE DOCUMENT		NUMERO DE REPRESENTATION	
PROVIND.B				SPACE		HES114HS005FA	
				DD02		00	



Ce document est le propriété de la direction ALSTOM. Toute réimpression ou utilisation non autorisée sans la permission écrite de la direction est formellement interdite.



- AREAS TREATED WITH ALODINE 1200.

NOTA : - Harness supports noted \* are SVM harness & WIH supports

Vues PROJET:    Vues CONFIG:

DETACHEMENT	OUI	NON	Ed./Rev.	Zones	Vues	Date	Verification	Destinataire
IMPACT SUR PROCEDURE D'INTERPRETATION			-	-	-	-	-	-
<b>MODIFICATIONS</b>								
CE PLAN A ETE REALISE EN CAO SOUS LE NUMERO: HE.HES.114H.S.005FA - (Draft: 003) TOUTE MODIFICATION DOIT ETRE EFFECTUEE PAR L'INTERMEDIAIRE DU SYSTEME CATIA								
-ETAT DE SURFACE			Ra			FILETAGES		
-SELON ASN 003.05						-PROFIL ISO N° L. 00220		
-SAUF SPECIFICATION:						CALOISE		
-CHASSER TOUT-AILE VIF:						-SAUF SPECIFICATION PARTICULIERE		
-CORNES D'OUTILS NON COTES:						PEREE		
						-CINETRE 4 h - TRAVAILLEE 6 h		
MATIERE	MIRALUME AM-003.05		TOLERANCES GENERALES DE PRECISION			ASL 011.000 (mm) ASL 011.000 (mm)		
DATE	20-09-05	TRETTMENT	See drawing		FINITION			
VERIF.	MARTIN, D	DATE			TITRE		HERSCHEL - DECMEC	
OUTIL		DATE			FREE AREA FOR HARNESS SUPPORTS		1	
VUE	MARCHEND, B	DATE			NUMERO DE DOCUMENT			
			ALCATEL			SPACE		
			HES114HS005FA			DD03 00		

# PLANCK DRAWING

## CHANGE RECORD

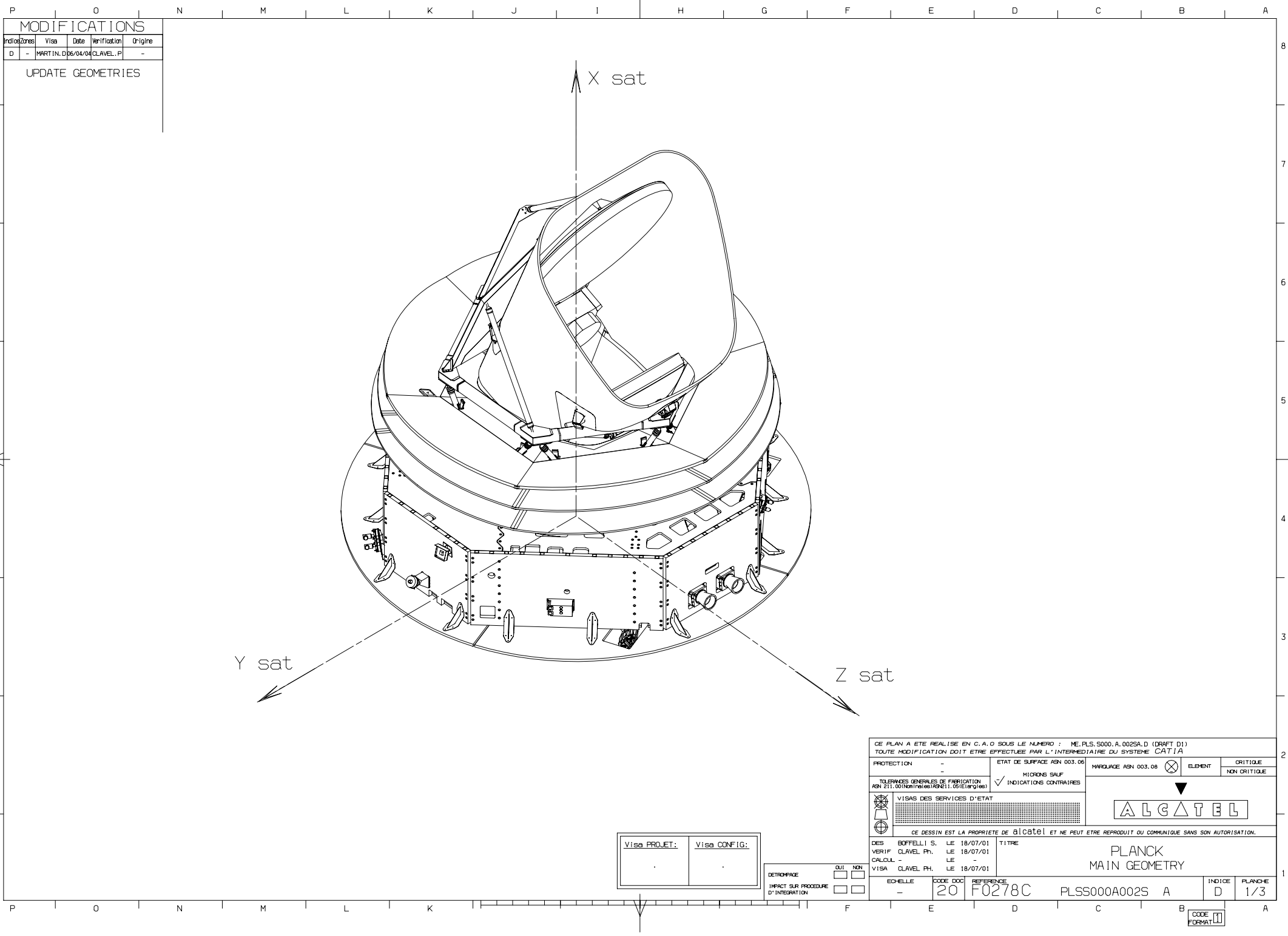
DRAWING TITLE                      MAIN GEOMETRY                      Date: 06/04/2004

REFERENCE DRAWING      ME.PLS.S000.A.002SA                      Indice: D

NUMBER OF SHEET                      3

Ind	Date	Modifications	Approbation
A	18/07/2001	INITIAL DRAWING	
B	04/06/2002	UPDATE GEOMETRIES	
C	15/07/2003	UPDATE GEOMETRIES	
D	06/04/2004	UPDATE GEOMETRIES	

c111290 FRAME 1 APRIL 7, 2004 09.17.06



MODIFICATIONS				
Indice/Zones	Visa	Date	Verification	Origine
D	-	MARTIN.D 06/04/04	CLAVEL.P	-

UPDATE GEOMETRIES

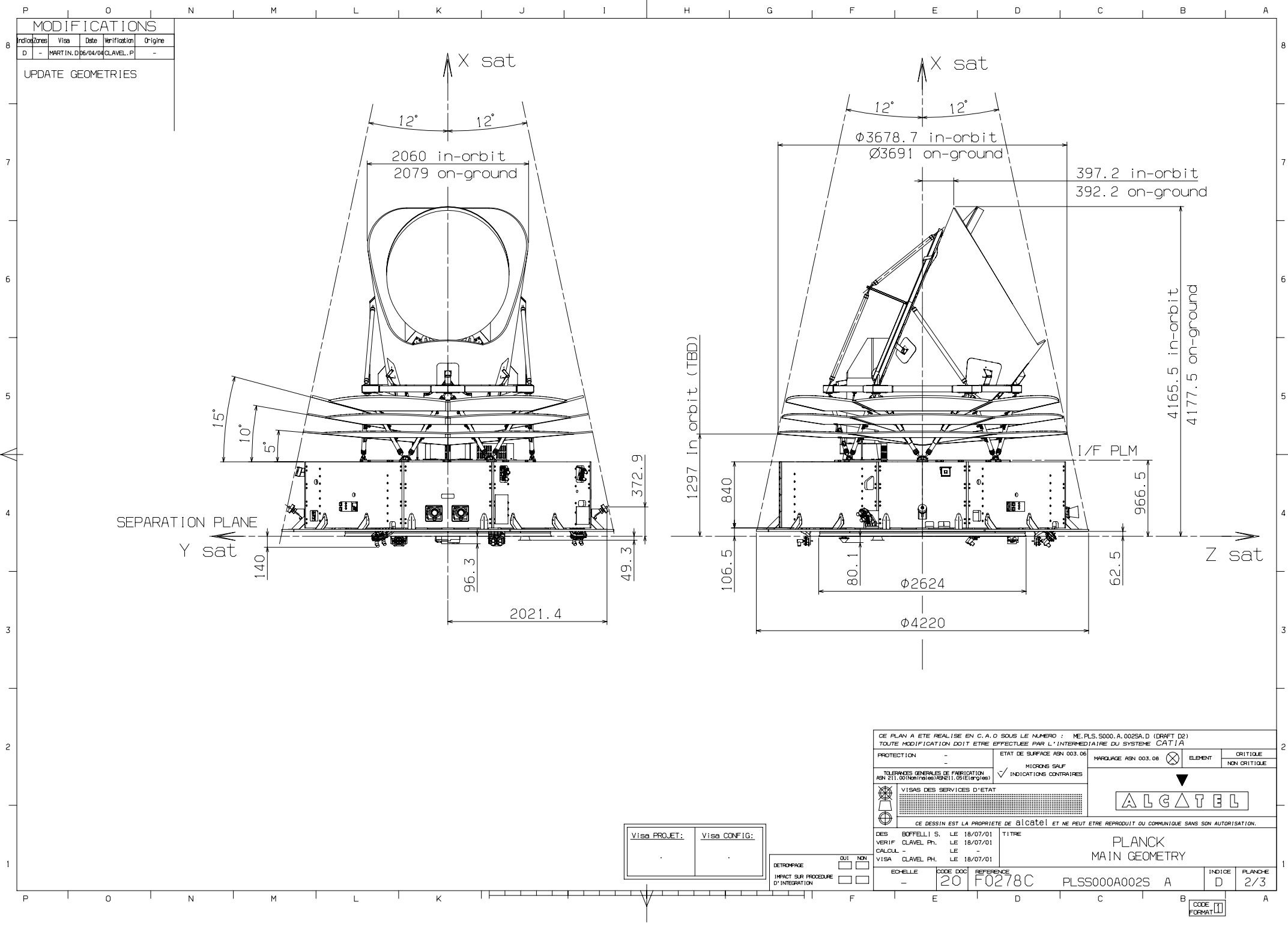
Visa PROJET:	Visa CONFIG:

DETROMPAGE	<input type="checkbox"/> OUI <input type="checkbox"/> NON
IMPACT SUR PROCEDURE D'INTEGRATION	<input type="checkbox"/> <input type="checkbox"/>

CE PLAN A ETE REALISE EN C.A.O SOUS LE NUMERO : ME.PLS.5000.A.002SA.D (DRAFT D1)			
TOUTE MODIFICATION DOIT ETRE EFFECTUEE PAR L'INTERMEDIAIRE DU SYSTEME CATIA			
PROTECTION	-	ETAT DE SURFACE ASN 003.06	-
TOLERANCES GENERALES DE FABRICATION ASN 211.001mm (sauf) / 0.0251.05 (E) / 0.1mm (sauf)		<input checked="" type="checkbox"/> INDICATIONS CONTRAIRES	MARGEUSE ASN 003.08 <input type="checkbox"/> ELEMENT <input type="checkbox"/> CRITIQUE <input type="checkbox"/> NON CRITIQUE
<input checked="" type="checkbox"/> VISAS DES SERVICES D'ETAT <input type="checkbox"/> IMPACT SUR PROCEDURE D'INTEGRATION			
CE DESSIN EST LA PROPRIETE DE Alcatel ET NE PEUT ETRE REPRODUIT OU COMMUNIQUE SANS SON AUTORISATION.			
DES BOFFELLI S.	LE 18/07/01	TITRE	PLANCK
VERIF CLAVEL Ph.	LE 18/07/01		MAIN GEOMETRY
CALCUL -	LE -		
VISA CLAVEL Ph.	LE 18/07/01		
ECHELLE	CODE DOC	REFERENCE	INDICE
-	20	F0278C	D
		PLSS000A002S A	PLANCHE
			1/3

CODE FORMAT

c111290 FRAME 1 APRIL 20, 2004 15.17.23



MODIFICATIONS				
Indice/Zones	Visa	Date	Verification	Origine
D	-	MARTIN. D 06/04/04	CLAVEL. P	-

UPDATE GEOMETRIES

Visa PROJET:	Visa CONFIG:
--------------	--------------

DETROMPAGE	<input type="checkbox"/> OUI <input type="checkbox"/> NON
IMPACT SUR PROCEDURE D'INTEGRATION	<input type="checkbox"/> <input type="checkbox"/>

CE PLAN A ETE REALISE EN C.A.O SOUS LE NUMERO : ME.PLS.5000.A.002SA.D (DRAFT D2)  
TOUTE MODIFICATION DOIT ETRE EFFECTUEE PAR L'INTERMEDIAIRE DU SYSTEME CATIA

PROTECTION	-	ETAT DE SURFACE ASN 003.06	HARQUAGE ASN 003.08	<input checked="" type="checkbox"/> ELEMENT	CRITIQUE
TOLERANCES GENERALES DE FABRICATION	ASN 211.00 (mm) (mm) (mm) (mm) (mm) (mm)	MICRONS SAUF	INDICATIONS CONTRAIRES	<input checked="" type="checkbox"/>	NON CRITIQUE

VISAS DES SERVICES D'ETAT

CE DESSIN EST LA PROPRIETE DE Alcatel ET NE PEUT ETRE REPRODUIT OU COMMUNIQUE SANS SON AUTORISATION.

DES BOFFELLI S.	LE 18/07/01	TITRE	PLANCK
VERIF CLAVEL Ph.	LE 18/07/01		MAIN GEOMETRY
CALCUL -	LE -		
VISA CLAVEL Ph.	LE 18/07/01		

ECHELLE: - CODE DOC: 20 REFERENCE: F0278C PLS5000A002S A

INDICE: D PLANCHE: 2/3

CODE FORMAT:

CODE FORMAT:

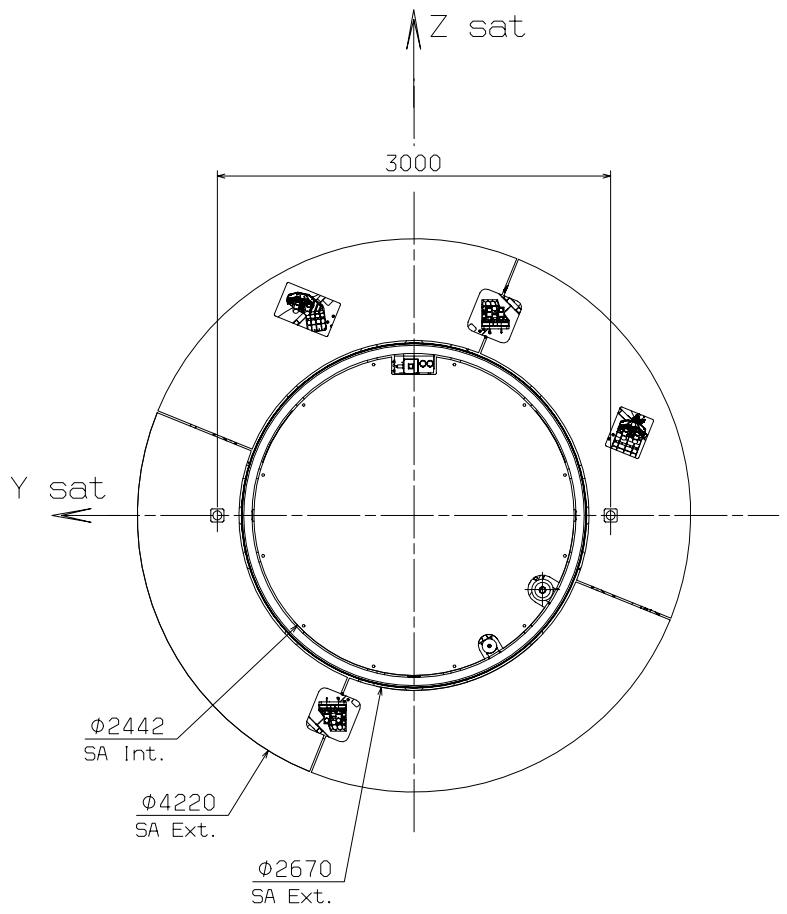
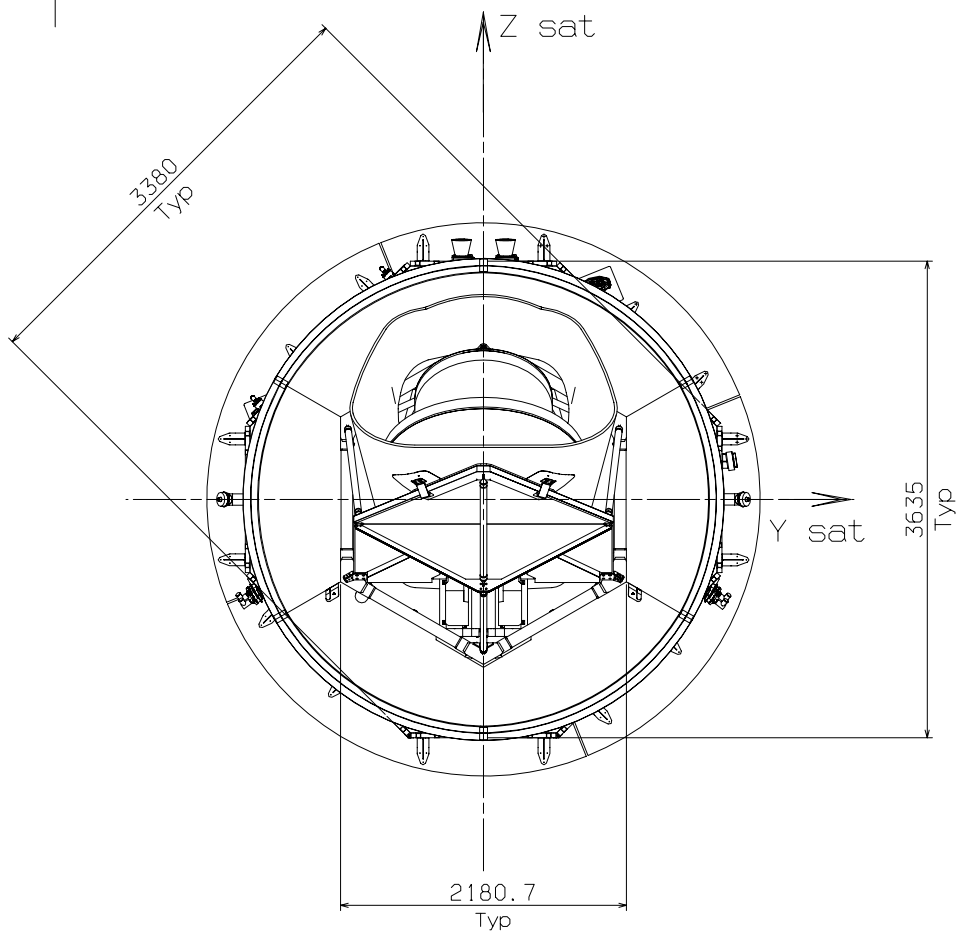
c111290 FRAME 1 APRIL 7, 2004 09.19.50

P O N M L K J I H G F E D C B A

**MODIFICATIONS**

Indice/Zones	Visa	Date	Verification	Origine
D	-	MARTIN.D 06/04/04	CLAVEL.P	-

UPDATE GEOMETRIES



Visa PROJET:	Visa CONFIG:
--------------	--------------

DETROMPAGE	<input type="checkbox"/> OUI <input type="checkbox"/> NON
IMPACT SUR PROCEDURE D'INTEGRATION	<input type="checkbox"/> <input type="checkbox"/>

CE PLAN A ETE REALISE EN C.A.O SOUS LE NUMERO : ME.PLS.5000.A.002SA.D (DRAFT D3)				TOUTE MODIFICATION DOIT ETRE EFFECTUEE PAR L'INTERMEDIAIRE DU SYSTEME CATIA	
PROTECTION	-	ETAT DE SURFACE ASN 003.06	-	HARGOURG ASN 003.08	<input checked="" type="checkbox"/> ELEMENT <input type="checkbox"/> CRITIQUE
TOLERANCES GENERALES DE FABRICATION ASN 211.001 (mm) (mm) (mm) (mm) (mm) (mm)	-	MICRONS SAUF	<input checked="" type="checkbox"/> INDICATIONS CONTRAIRES		
<input checked="" type="checkbox"/> VISAS DES SERVICES D'ETAT <input type="checkbox"/> <input type="checkbox"/> <input type="checkbox"/>			<b>ALCATEL</b>		
CE DESSIN EST LA PROPRIETE DE Alcatel ET NE PEUT ETRE REPRODUIT OU COMMUNIQUE SANS SON AUTORISATION.					
DES BOFFELLI S.	LE 18/07/01	TITRE	<b>PLANCK MAIN GEOMETRY</b>		
VERIF CLAVEL Ph.	LE 18/07/01				
CALCUL -	LE -				
VISA CLAVEL Ph.	LE 18/07/01				
ECHELLE	CODE DOC	REFERENCE	INDICE	PLANCHE	
-	20	F0278C	D	3/3	

CODE FORMAT

P O N M L K J I H G F E D C B A

# PLANCK DRAWING

## CHANGE RECORD

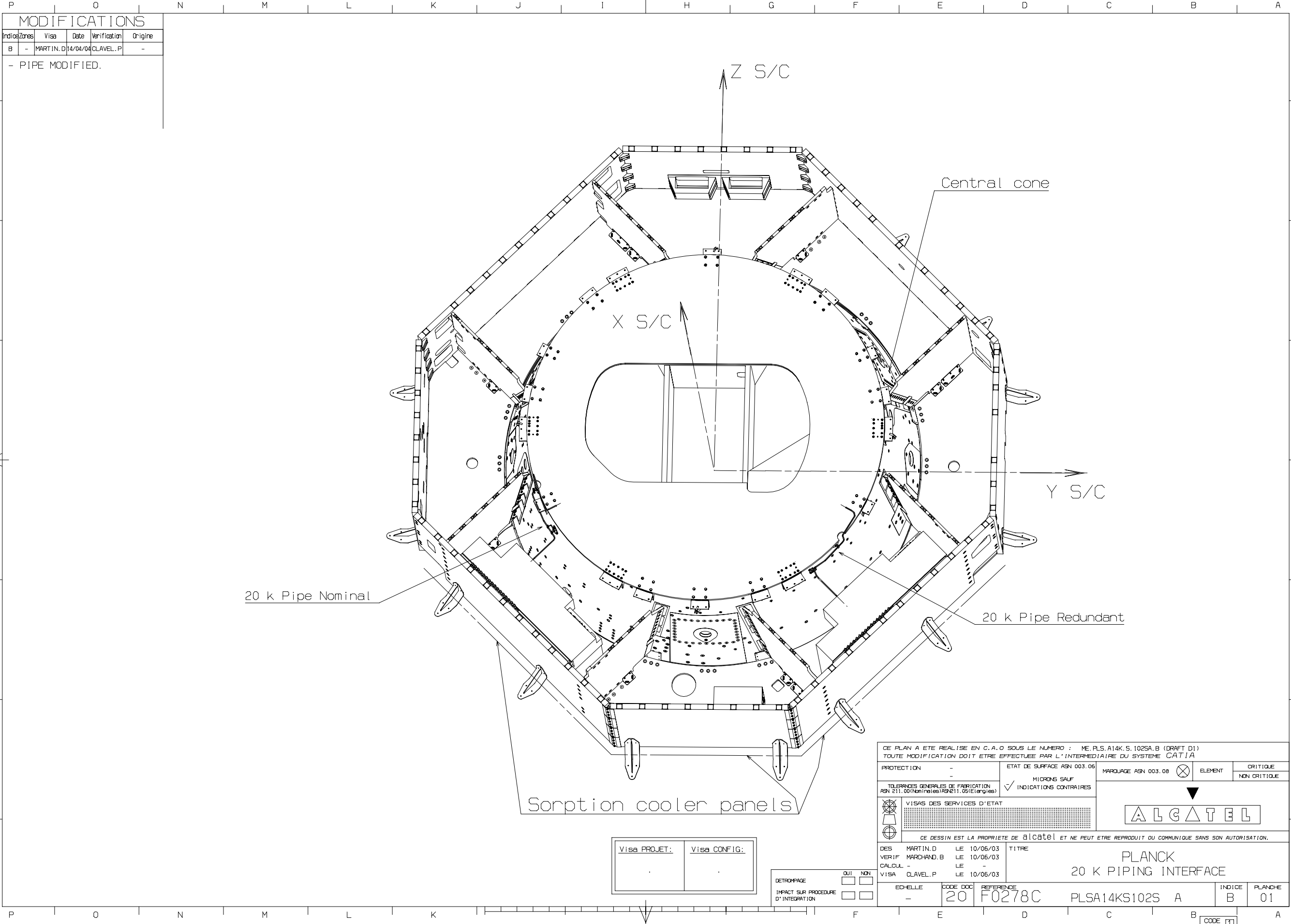
DRAWING TITLE            20K PIPING INTERFACE            Date: 14/04/2004

REFERENCE DRAWING    ME.PLS.A14K.S.102SA            Indice: B

NUMBER OF SHEET      4

Ind	Date	Modifications	Approbation
A	10/06/2003	INITIAL DRAWING	
B	14/04/2004	PIPE MODIFIED	

c111290 FRAME 1 APRIL 14, 2004 11.22.05



MODIFICATIONS					
Index	Zones	Visa	Date	Verification	Origine
B	-	MARTIN.D	14/04/04	CLAVEL.P	-

- PIPE MODIFIED.

CE PLAN A ETE REALISE EN C.A.O SOUS LE NUMERO : ME.PLS.A14K.S.102SA.B (DRAFT D1)  
 TOUTE MODIFICATION DOIT ETRE EFFECTUEE PAR L'INTERMEDIAIRE DU SYSTEME CATIA

PROTECTION	-	ETAT DE SURFACE ASN 003.06	MARQUAGE ASN 003.08	ELEMENT	CRITIQUE
TOLERANCES GENERALES DE FABRICATION	MICRONS SAUF	INDICATIONS CONTRAIRES	NON CRITIQUE		

VISAS DES SERVICES D'ETAT

CE DESSIN EST LA PROPRIETE DE alcatel ET NE PEUT ETRE REPRODUIT OU COMMUNIQUE SANS SON AUTORISATION.

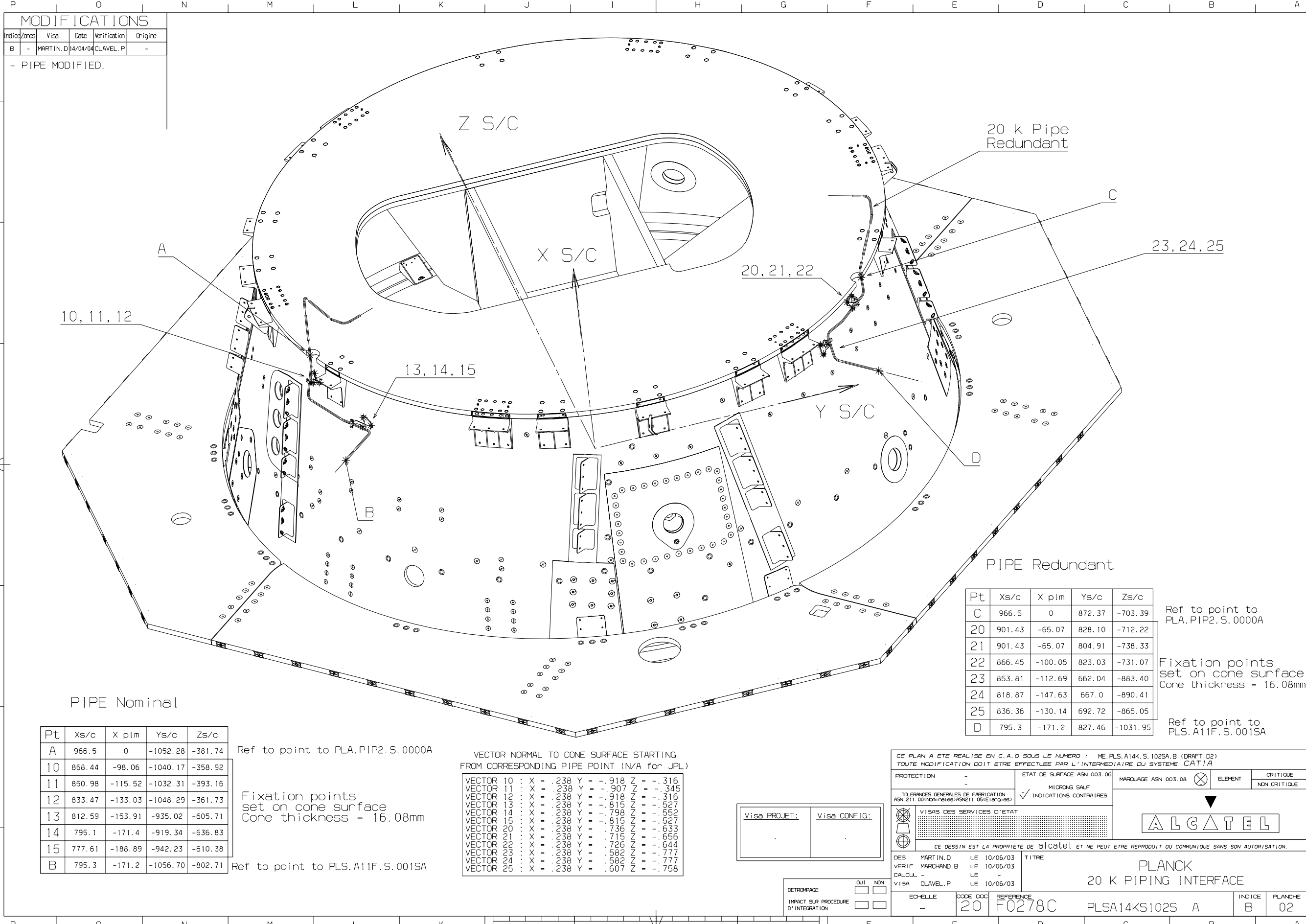
DES	MARTIN.D	LE	10/05/03	TITRE	PLANCK
VERIF	MARCHAND.B	LE	10/05/03		20 K PIPING INTERFACE
CALCUL	-	LE	-		
VISA	CLAVEL.P	LE	10/05/03		

DETROMPAGE	OUI	NON		
IMPACT SUR PROCEDURE D'INTEGRATION	<input type="checkbox"/>	<input type="checkbox"/>		

ECHELLE	CODE DOC	REFERENCE	INDICE	PLANCHE
-	20	F0278C	PLSA14KS102S A	B 01

CODE FORMAT

c111290 FRAME 1 APRIL 14, 2004 12.46.43



MODIFICATIONS				
Indice/Zones	Visa	Date	Verification	Origine
B	-	MARTIN.D 14/04/04	CLAVEL.P	-

- PIPE MODIFIED.

PIPE Nominal

Pt	Xs/c	X plm	Ys/c	Zs/c
A	966.5	0	-1052.28	-381.74
10	868.44	-98.06	-1040.17	-358.92
11	850.98	-115.52	-1032.31	-393.16
12	833.47	-133.03	-1048.29	-361.73
13	812.59	-153.91	-935.02	-605.71
14	795.1	-171.4	-919.34	-636.83
15	777.61	-188.89	-942.23	-610.38
B	795.3	-171.2	-1056.70	-802.71

Ref to point to PLA.PIP2.S.0000A

Fixation points set on cone surface Cone thickness = 16.08mm

Ref to point to PLS.A11F.S.001SA

VECTOR NORMAL TO CONE SURFACE STARTING FROM CORRESPONDING PIPE POINT (N/A for JPL)

VECTOR 10	X = .238	Y = -.918	Z = -.316
VECTOR 11	X = .238	Y = -.907	Z = -.345
VECTOR 12	X = .238	Y = -.918	Z = -.316
VECTOR 13	X = .238	Y = -.815	Z = -.527
VECTOR 14	X = .238	Y = -.798	Z = -.552
VECTOR 15	X = .238	Y = -.815	Z = -.527
VECTOR 20	X = .238	Y = .736	Z = -.633
VECTOR 21	X = .238	Y = .715	Z = -.656
VECTOR 22	X = .238	Y = .726	Z = -.644
VECTOR 23	X = .238	Y = .582	Z = -.777
VECTOR 24	X = .238	Y = .582	Z = -.777
VECTOR 25	X = .238	Y = .607	Z = -.758

Visa PROJET:     Visa CONFIG:

DETROMPAGE  OUI  NON   
 IMPACT SUR PROCEDURE D'INTEGRATION  OUI  NON

Pt	Xs/c	X plm	Ys/c	Zs/c
C	966.5	0	872.37	-703.39
20	901.43	-65.07	828.10	-712.22
21	901.43	-65.07	804.91	-738.33
22	866.45	-100.05	823.03	-731.07
23	853.81	-112.69	662.04	-883.40
24	818.87	-147.63	667.0	-890.41
25	836.36	-130.14	692.72	-865.05
D	795.3	-171.2	827.46	-1031.95

Ref to point to PLA.PIP2.S.0000A

Fixation points set on cone surface Cone thickness = 16.08mm

Ref to point to PLS.A11F.S.001SA

CE PLAN A ETE REALISE EN C.A.O SOUS LE NUMERO : ME.PLS.A14K.S.102SA.B (DRAFT D2)  
 TOUTE MODIFICATION DOIT ETRE EFFECTUEE PAR L'INTERMEDIAIRE DU SYSTEME CATIA

PROTECTION	-	ETAT DE SURFACE ASN 003.06	MARQUAGE ASN 003.08 <input checked="" type="checkbox"/>	ELEMENT	CRITIQUE
TOLERANCES GENERALES DE FABRICATION	ASIN 211.03 (NON TOLERANCE 11.05 (E) (P) (R) (S))	MICRONS SAUF	INDICATIONS CONTRAIRES		NON CRITIQUE

CE DESSIN EST LA PROPRIETE DE alcatel ET NE PEUT ETRE REPRODUIT OU COMMUNIQUE SANS SON AUTORISATION.

DES MARTIN.D LE 10/06/03 TITRE  
 VERIF MARCHAND.B LE 10/06/03  
 CALCUL - LE -  
 VISA CLAVEL.P LE 10/06/03

PLANCK  
 20 K PIPING INTERFACE

ECHELLE	CODE DOC	REFERENCE	INDICE	PLANCHE
-	20	F0278C	PLSA14KS102S A	B 02

CODE FORMAT



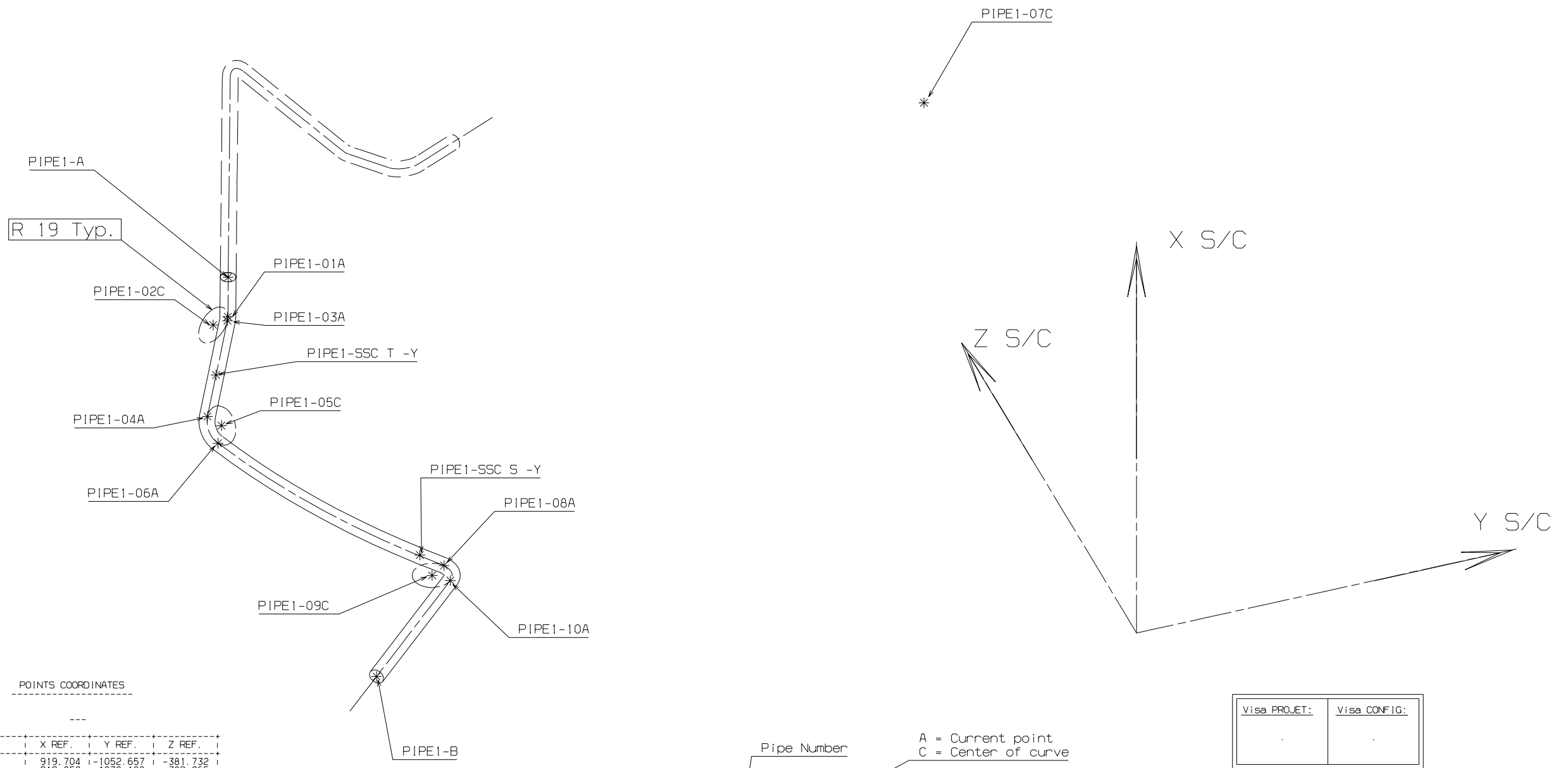
c111290 FRAME 1 APRIL 14, 2004 11.05.33

P O N M L K J I H G F E D C B A

MODIFICATIONS				
Indice/Zones	Visa	Date	Verification	Origine
B	-	MARTIN.D 14/04/04	CLAVEL.P	-

- PIPE MODIFIED.

# ALLOCATED VOLUME FOR PIPE NOMINAL & PIPES / SUPPORTS I/F POINTS



POINTS COORDINATES

REF.	X REF.	Y REF.	Z REF.
PIPE1-01A	919.704	-1052.657	-381.732
PIPE1-02C	919.852	-1070.100	-389.265
PIPE1-03A	915.374	-1053.155	-391.929
PIPE1-04A	814.087	-1076.256	-390.306
PIPE1-05C	813.767	-1068.554	-407.672
PIPE1-06A	795.300	-1072.631	-409.500
PIPE1-07C	795.300	-264.514	-139.491
PIPE1-08A	795.300	-937.581	-661.927
PIPE1-09C	795.300	-953.366	-672.503
PIPE1-10A	795.300	-939.931	-685.938
PIPE1-A	966.500	-1052.257	-381.755
PIPE1-B	795.300	-1056.700	-802.708
SSC S -Y	795.205	-953.317	-638.441
SSC T -Y	858.150	-1066.266	-386.820

Number of pts: 14

Refer to point to PLA.PIP2.S.0000A  
Refer to point to PLS.A11F.S.0015A

Pipe Number  
A = Current point  
C = Center of curve  
Point denomination : PIPE1-xxA  
xx = Point Number

Visa PROJET:	Visa CONFIG:
--------------	--------------

Allocated volume for pipe 1 = Ø 15 mm.

DETROMPAGE	<input type="checkbox"/> OUI <input type="checkbox"/> NON
IMPACT SUR PROCEDURE D'INTEGRATION	<input type="checkbox"/> OUI <input type="checkbox"/> NON

CE PLAN A ETE REALISE EN C.A.O SOUS LE NUMERO : ME.PLS.A14K.S.102SA.B (DRAFT D3)  
TOUTE MODIFICATION DOIT ETRE EFFECTUEE PAR L'INTERMEDIAIRE DU SYSTEME CATIA

PROTECTION	-	ETAT DE SURFACE ASN 003.06	MARQUAGE ASN 003.08	<input checked="" type="checkbox"/> ELEMENT	CRITIQUE
TOLERANCES GENERALES DE FABRICATION	ASN 211.00(Nominales)/ASN211.05(E angles)	MICRONS SAUF	<input checked="" type="checkbox"/> INDICATIONS CONTRAIRES		NON CRITIQUE

CE DESSIN EST LA PROPRIETE DE Alcatel ET NE PEUT ETRE REPRODUIT OU COMMUNIQUE SANS SON AUTORISATION.

DES \*MARTIN.D LE 10/06/03 TITRE  
VERIF MARCHAND.B LE 10/06/03  
CALCUL - LE -  
VISA CLAVEL.P LE 10/06/03

PLANCK  
20 K PIPING INTERFACE

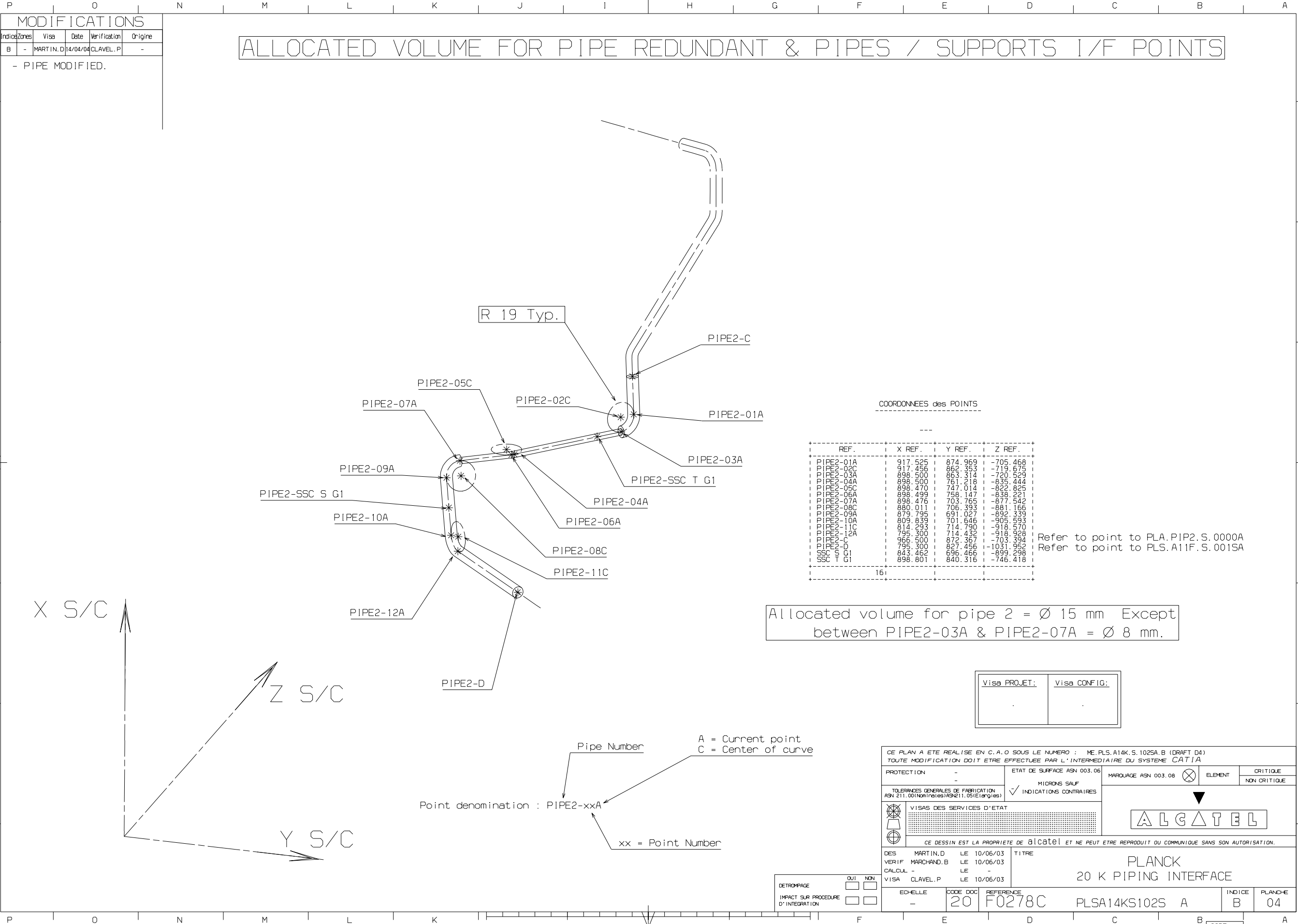
ECHELLE	CODE DOC	REFERENCE	INDICE	PLANCHE
-	20	F0278C	B	03

PLSA14KS102SA

CODE FORMAT

P O N M L K J I H G F E D C B A

c111290 FRAME 1 APRIL 14, 2004 12.48.22



ALLOCATED VOLUME FOR PIPE REDUNDANT & PIPES / SUPPORTS I/F POINTS

MODIFICATIONS				
Indice/Zones	Visa	Date	Verification	Origine
B	-	MARTIN.D 14/04/04	CLAVEL.P	-

- PIPE MODIFIED.

COORDONNEES des POINTS

REF.	X REF.	Y REF.	Z REF.
PIPE2-01A	917.525	874.969	-705.468
PIPE2-02C	917.456	862.353	-719.675
PIPE2-03A	898.500	863.314	-720.529
PIPE2-04A	898.500	761.218	-835.444
PIPE2-05C	898.470	747.014	-822.825
PIPE2-06A	898.499	758.147	-838.221
PIPE2-07A	898.476	703.765	-877.542
PIPE2-08C	880.011	706.393	-881.166
PIPE2-09A	879.795	691.027	-892.339
PIPE2-10A	809.839	701.646	-905.593
PIPE2-11C	814.293	714.790	-918.570
PIPE2-12A	795.300	714.432	-918.928
PIPE2-C	966.500	872.367	-703.394
PIPE2-D	795.300	827.456	-1031.952
SSC S G1	843.462	696.466	-899.298
SSC T G1	898.801	840.316	-746.418

Allocated volume for pipe 2 = Ø 15 mm Except between PIPE2-03A & PIPE2-07A = Ø 8 mm.

Refer to point to PLA.PIP2.S.0000A  
Refer to point to PLS.A11F.S.0015A

Visa PROJET:	Visa CONFIG:
--------------	--------------

Pipe Number  
A = Current point  
C = Center of curve  
Point denomination : PIPE2-xxA  
xx = Point Number

CE PLAN A ETE REALISE EN C.A.O SOUS LE NUMERO : ME.PLS.A14K.S.1025A.B (DRAFT D4)  
TOUTE MODIFICATION DOIT ETRE EFFECTUEE PAR L'INTERMEDIAIRE DU SYSTEME CATIA

PROTECTION	ETAT DE SURFACE ASN 003.06	MARQUAGE ASN 003.08	ELEMENT	CRITIQUE
TOLERANCES GENERALES DE FABRICATION ASN 211.00(Normales)ASN211.05(Etangles)	MICRONS SAUF	<input checked="" type="checkbox"/>	NON CRITIQUE	

VISAS DES SERVICES D'ETAT

CE DESSIN EST LA PROPRIETE DE Alcatel ET NE PEUT ETRE REPRODUIT OU COMMUNIQUE SANS SON AUTORISATION.

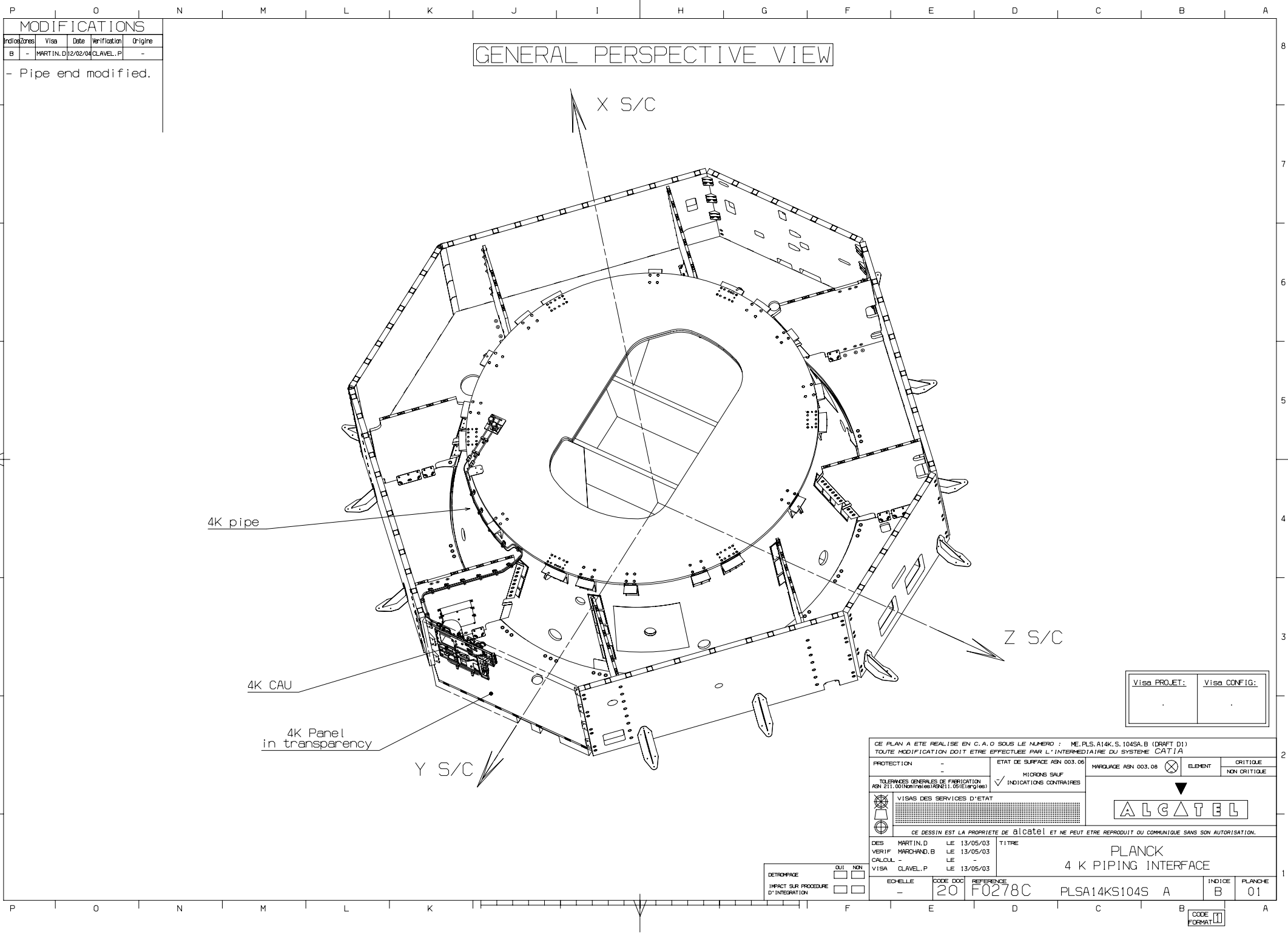
DES MARTIN.D	LE 10/06/03	TITRE	PLANCK
VERIF MARCHAND.B	LE 10/06/03		20 K PIPING INTERFACE
CALCUL -	LE -		
VISA CLAVEL.P	LE 10/06/03		

ECHELLE	CODE DOC	REFERENCE	INDICE	PLANCH
-	20	F0278C	PLSA14KS102S A	B 04

CODE FORMAT



c111290 FRAME 1 FEBRUARY 17, 2004 11.17.59



MODIFICATIONS				
Indice/Zones	Visa	Date	Verification	Origine
B	-	MARTIN.D 12/02/04	CLAVEL.P	-

- Pipe end modified.

# GENERAL PERSPECTIVE VIEW

Visa PROJET:	Visa CONFIG:

CE PLAN A ETE REALISE EN C.A.O SOUS LE NUMERO : ME.PLS.A14K.S.104SA.B (DRAFT D1)  
TOUTE MODIFICATION DOIT ETRE EFFECTUEE PAR L'INTERMEDIAIRE DU SYSTEME CATIA

PROTECTION	-	ETAT DE SURFACE ASN 003.06	MARQUAGE ASN 003.08	<input checked="" type="checkbox"/> ELEMENT	CRITIQUE
TOLERANCES GENERALES DE FABRICATION	ASN 211.001 (mm) / ASN 1.05 (mm) / (mm)	MICRONS SAUF	<input checked="" type="checkbox"/> INDICATIONS CONTRAIRES		NON CRITIQUE

VISAS DES SERVICES D'ETAT

CE DESSIN EST LA PROPRIETE DE Alcatel ET NE PEUT ETRE REPRODUIT OU COMMUNIQUE SANS SON AUTORISATION.

DES	MARTIN.D	LE	13/05/03	TITRE	PLANCK
VERIF	MARCHANT.B	LE	13/05/03		4 K PIPING INTERFACE
CALCUL	-	LE	-		
VISA	CLAVEL.P	LE	13/05/03		

DETROMPAGE	SUI	NON
IMPACT SUR PROCEDURE D'INTEGRATION	<input type="checkbox"/>	<input type="checkbox"/>

ECHELLE	CODE DOC	REFERENCE	INDICE	PLANCHE
-	20	F0278C	B	01

PLSA14KS104S A

CODE FORMAT:

CODE FORMAT:

c111290 FRAME 1 FEBRUARY 17, 2004 11.21.57

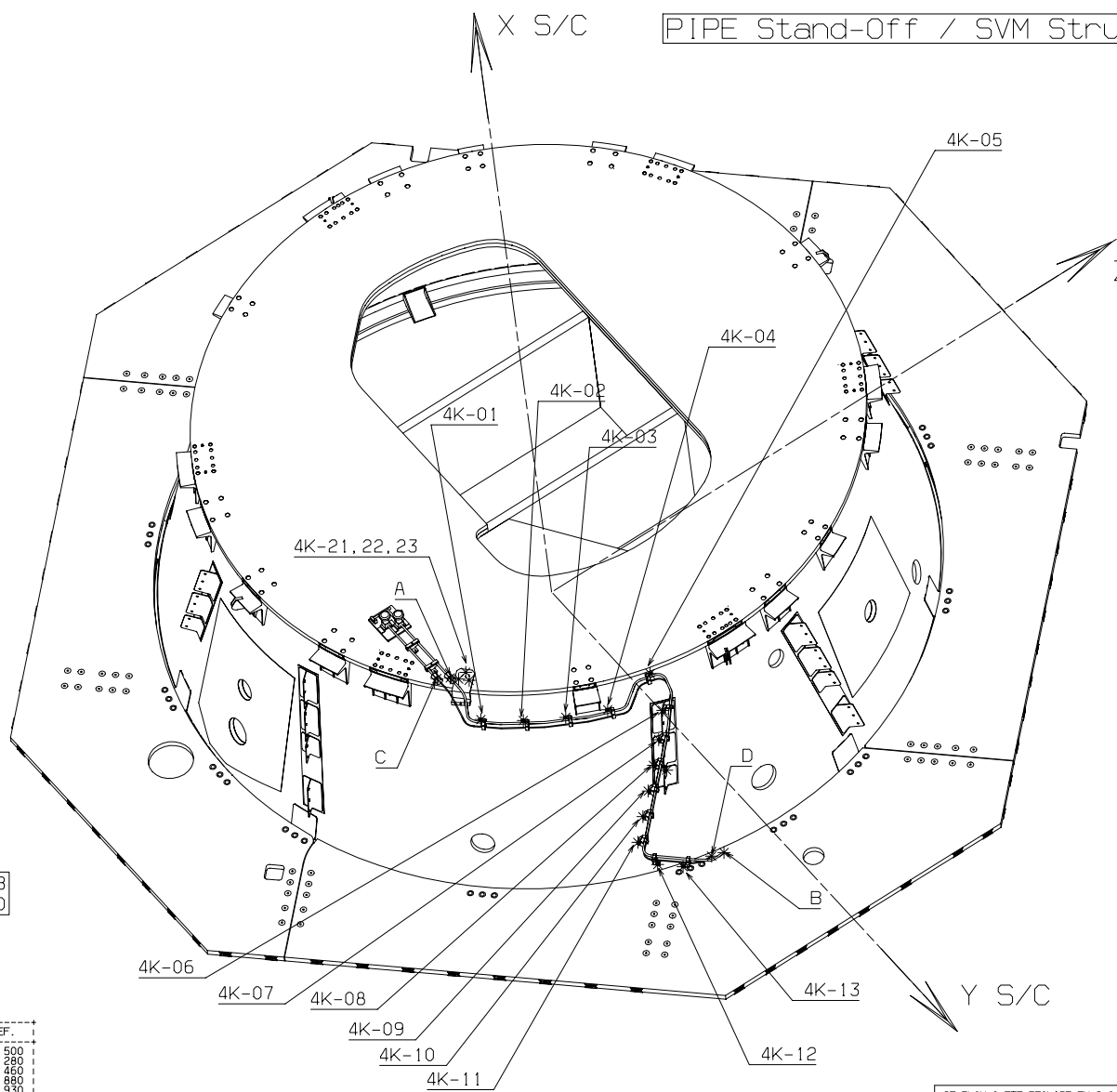
P O N M L K J I H G F E D C B A

**MODIFICATIONS**

Indice/Zones	Visa	Date	Verification	Origine
B	-	MARTIN.D 12/02/04	CLAVEL.P	-

- Pipe end modified.

**PIPE Stand-Off / SVM Structure interface points**



Pipe #1 Ø 1/4" : A -> B  
 Pipe #2 Ø 1/8" : C -> D

**COORDONNEES des POINTS**

REF.	X REF.	Y REF.	Z REF.
4K-01	807.980	798.510	-778.500
4K-02	807.980	889.790	-672.280
4K-03	807.980	967.030	-555.460
4K-04	807.980	1029.020	-429.880
4K-05	902.830	1058.020	-269.930
4K-06	865.798	1182.115	-311.284
4K-07	833.450	1250.096	-379.266
4K-08	833.450	1324.342	-453.512
4K-09	833.450	1398.589	-527.758
4K-10	833.450	1472.835	-602.004
4K-11	833.450	1547.081	-676.251
4K-12	833.450	1621.327	-750.497
4K-13	833.450	1722.116	-617.559
4K-21	966.500	720.953	-797.403
4K-22	966.500	713.049	-763.307
4K-23	966.500	746.529	-773.512
PT A	991.500	715.500	-825.342
PT B	832.000	1758.900	-478.950
PT C	991.500	690.500	-861.342
PT D	816.765	1734.922	-513.150

(Number of pts=20)

VECTOR NORMAL TO CONE SURFACE STARTING FROM CORRESPONDING PIPE POINT

VECTOR 01	: X = .239	Y = .695	Z = -.678
VECTOR 02	: X = .239	Y = .775	Z = -.585
VECTOR 03	: X = .239	Y = .842	Z = -.484
VECTOR 04	: X = .239	Y = .896	Z = -.374
VECTOR 05	: X = .239	Y = .941	Z = -.240

Visa PROJET:	Visa CONFIG:
--------------	--------------

CE PLAN A ETE REALISE EN C.A.O SOUS LE NUMERO : ME.PLS.A14K.S.104SA.B (DRAFT D2)  
 TOUTE MODIFICATION DOIT ETRE EFFECTUEE PAR L'INTERMEDIAIRE DU SYSTEME CATIA

PROTECTION	-	ETAT DE SURFACE ASN 003.06	HARDWARE ASN 003.08	<input checked="" type="checkbox"/> ELEMENT	CRITIQUE
TOLERANCES GENERALES DE FABRICATION	ASN 211.001mm (inches) AS211.05 (inches)	<input checked="" type="checkbox"/> MICRONS SAUF	INDICATIONS CONTRAIRES		

<input checked="" type="checkbox"/> VISAS DES SERVICES D'ETAT
---



CE DESSIN EST LA PROPRIETE DE Alcatel ET NE PEUT ETRE REPRODUIT OU COMMUNIQUE SANS SON AUTORISATION.

DES	MARTIN.D	LE 13/05/03	TITRE	PLANCK
VERIF	MARCHAND.B	LE 13/05/03		4 K PIPING INTERFACE
CALCUL	-	LE -		
VISA	CLAVEL.P	LE 13/05/03		

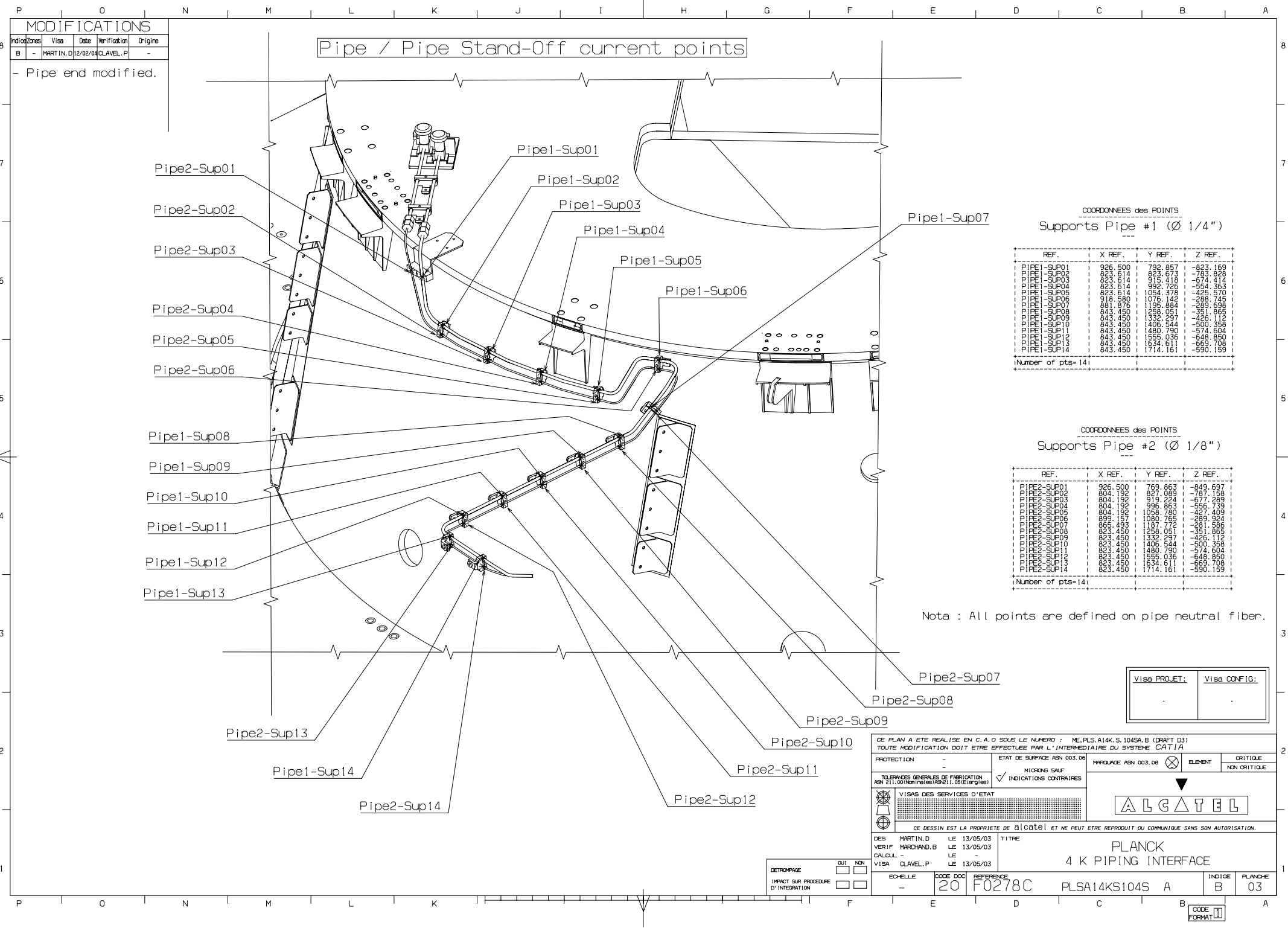
DETROMPAGE	<input type="checkbox"/> OUI	<input type="checkbox"/> NON
IMPACT SUR PROCEDURE D'INTEGRATION	<input type="checkbox"/>	<input type="checkbox"/>

ECHELLE	CODE DOC	REFERENCE	INDICE	PLANCHE
-	20	F0278C	B	02

CODE FORMAT

P O N M L K J I H G F E D C B A

c111290 FRAME 1 FEBRUARY 17, 2004 11.24.28



MODIFICATIONS				
Indice/Zones	Visa	Date	Vérification	Origine
B	-	MARTIN.D 12/02/04	CLAVEL.P	-

- Pipe end modified.

Pipe / Pipe Stand-Off current points

COORDONNEES des POINTS  
Supports Pipe #1 (Ø 1/4")

REF.	X REF.	Y REF.	Z REF.
PIPE1-SUP01	926.500	792.857	-823.169
PIPE1-SUP02	823.614	823.673	-783.828
PIPE1-SUP03	823.614	915.418	-674.414
PIPE1-SUP04	823.614	992.726	-554.363
PIPE1-SUP05	823.614	1054.378	-425.570
PIPE1-SUP06	918.580	1076.142	-288.745
PIPE1-SUP07	881.876	1195.884	-289.698
PIPE1-SUP08	843.450	1258.051	-351.865
PIPE1-SUP09	843.450	1332.297	-426.112
PIPE1-SUP10	843.450	1406.544	-500.358
PIPE1-SUP11	843.450	1480.790	-574.604
PIPE1-SUP12	843.450	1555.036	-648.850
PIPE1-SUP13	843.450	1634.611	-669.708
PIPE1-SUP14	843.450	1714.161	-590.159

Number of pts=14

COORDONNEES des POINTS  
Supports Pipe #2 (Ø 1/8")

REF.	X REF.	Y REF.	Z REF.
PIPE2-SUP01	926.500	769.863	-849.697
PIPE2-SUP02	804.192	827.089	-787.158
PIPE2-SUP03	804.192	919.224	-677.289
PIPE2-SUP04	804.192	996.853	-556.739
PIPE2-SUP05	804.192	1068.790	-427.409
PIPE2-SUP06	899.157	1080.765	-289.924
PIPE2-SUP07	865.493	1187.772	-281.586
PIPE2-SUP08	823.450	1258.051	-351.865
PIPE2-SUP09	823.450	1332.297	-426.112
PIPE2-SUP10	823.450	1406.544	-500.358
PIPE2-SUP11	823.450	1480.790	-574.604
PIPE2-SUP12	823.450	1555.036	-648.850
PIPE2-SUP13	823.450	1634.611	-669.708
PIPE2-SUP14	823.450	1714.161	-590.159

Number of pts=14

Nota : All points are defined on pipe neutral fiber.

Visa PROJET:	Visa CONFIG:
--------------	--------------

CE PLAN A ETE REALISE EN C.A.O SOUS LE NUMERO : ME.PLS.A14K.S.104SA.B (DRAFT D3)  
TOUTE MODIFICATION DOIT ETRE EFFECTUEE PAR L'INTERMEDIAIRE DU SYSTEME CATIA

PROTECTION	-	ETAT DE SURFACE ASN 003.06	HARDJOURNE ASN 003.08	<input checked="" type="checkbox"/> ELEMENT	CRITIQUE
TOLERANCES GENERALES DE FABRICATION	ASN 211.00 (mm) (mm) (mm) (mm) (mm) (mm)	MICRONS SAUF	INDICATIONS CONTRAIRES	<input checked="" type="checkbox"/>	NON CRITIQUE

VISAS DES SERVICES D'ETAT

CE DESSIN EST LA PROPRIETE DE Alcatel ET NE PEUT ETRE REPRODUIT OU COMMUNIQUE SANS SON AUTORISATION.

DES	MARTIN.D	LE	13/05/03	TITRE	PLANCK
VERIF	MARCHAND.B	LE	13/05/03		4 K PIPING INTERFACE
CALCUL	-	LE	-		
VISA	CLAVEL.P	LE	13/05/03		

ETAT DE SURFACE ASN 003.06

INDICE B PLANCHE 03

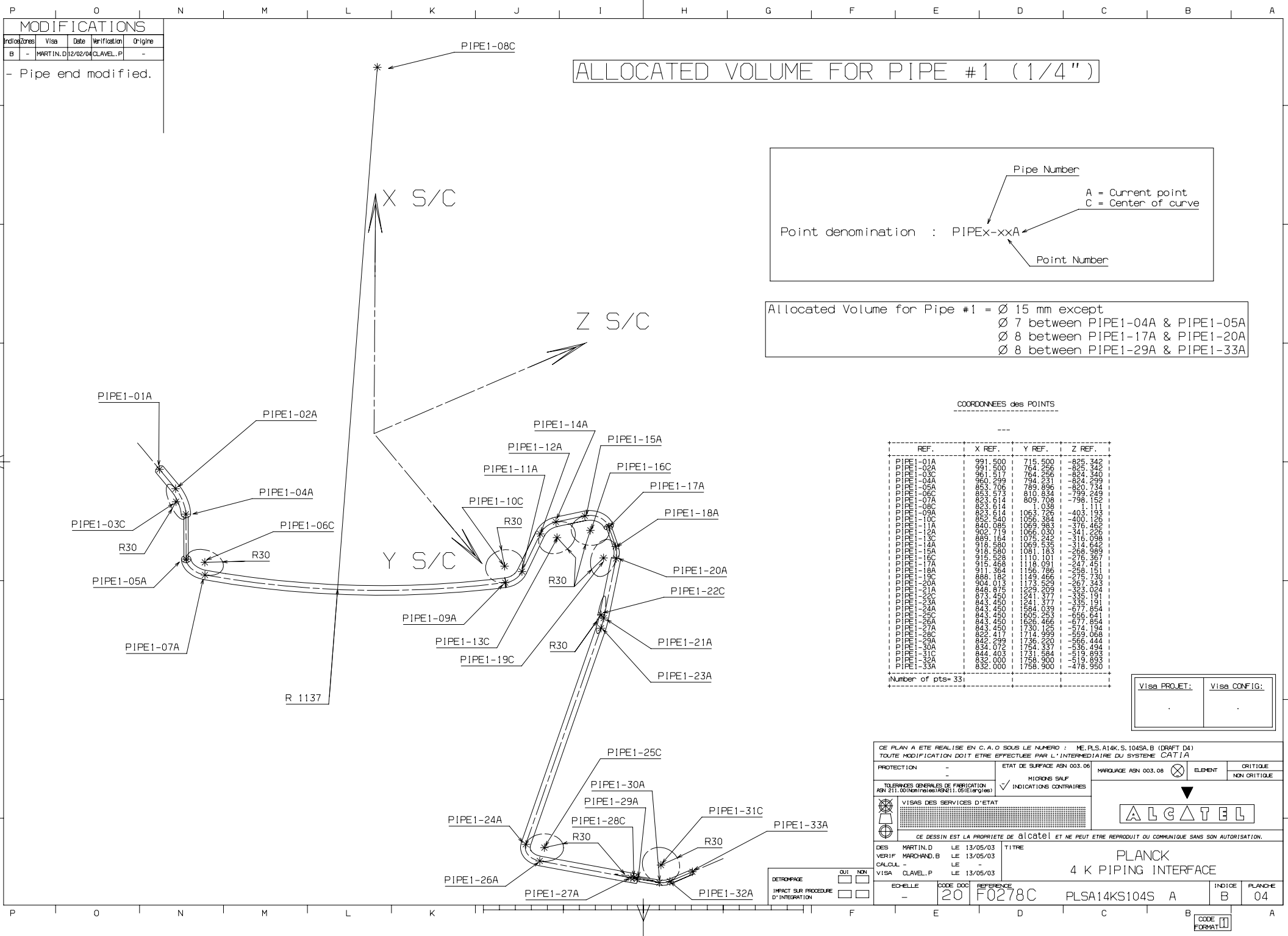
CODE DOC 20 F0278C

PLSA14KS104S A

INDICE B PLANCHE 03

CODE FORMAT

c111290 FRAME 1 FEBRUARY 17, 2004 11.30.26



MODIFICATIONS					
Indice/Zones	Visa	Date	Verification	Origine	
B	-	MARTIN.D	12/02/04	CLAVEL.P	-

- Pipe end modified.

ALLOCATED VOLUME FOR PIPE #1 (1/4")

Point denomination : PIPEx-xxA

Pipe Number  
 A = Current point  
 C = Center of curve  
 Point Number

Allocated Volume for Pipe #1 = Ø 15 mm except  
 Ø 7 between PIPE1-04A & PIPE1-05A  
 Ø 8 between PIPE1-17A & PIPE1-20A  
 Ø 8 between PIPE1-29A & PIPE1-33A

COORDONNEES des POINTS

REF.	X REF.	Y REF.	Z REF.
PIPE1-01A	991.500	715.500	-825.342
PIPE1-02A	991.500	764.256	-825.342
PIPE1-03C	961.517	764.256	-824.340
PIPE1-04A	960.299	794.231	-824.299
PIPE1-05A	853.706	789.896	-820.734
PIPE1-06C	853.573	810.834	-799.249
PIPE1-07A	823.614	809.708	-798.151
PIPE1-08C	823.614	809.708	-798.151
PIPE1-09A	823.614	1063.726	-403.193
PIPE1-10C	852.540	1056.364	-400.126
PIPE1-11A	840.085	1069.983	-376.462
PIPE1-12A	902.719	1056.030	-341.226
PIPE1-13C	869.164	1075.242	-316.098
PIPE1-14A	918.580	1069.535	-314.642
PIPE1-15A	918.580	1081.163	-268.989
PIPE1-16C	915.528	1110.101	-276.367
PIPE1-17A	915.468	1118.091	-247.451
PIPE1-18A	911.364	1156.786	-258.151
PIPE1-19C	888.182	149.466	-275.730
PIPE1-20A	904.013	173.529	-267.343
PIPE1-21A	848.875	229.209	-323.024
PIPE1-22C	873.450	241.377	-335.191
PIPE1-23A	843.450	241.377	-335.191
PIPE1-24A	843.450	584.039	-677.854
PIPE1-25C	843.450	605.253	-656.641
PIPE1-26A	843.450	626.466	-677.854
PIPE1-27A	843.450	730.125	-574.194
PIPE1-28C	822.417	714.959	-559.068
PIPE1-29A	842.299	736.220	-566.444
PIPE1-30A	834.072	754.337	-536.494
PIPE1-31C	844.403	773.114	-519.893
PIPE1-32A	832.000	758.900	-519.893
PIPE1-33A	832.000	758.900	-478.950

Number of pts= 33

Visa PROJET:	Visa CONFIG:
--------------	--------------

CE PLAN A ETE REALISE EN C.A.O SOUS LE NUMERO : ME.PLS.A14K.S.104SA.B (DRAFT D4)  
 TOUTE MODIFICATION DOIT ETRE EFFECTUEE PAR L'INTERMEDIAIRE DU SYSTEME CATIA

PROTECTION	-	ETAT DE SURFACE ASN 003.06		HARGUZE ASN 003.08	<input checked="" type="checkbox"/> ELEMENT	CRITIQUE
TOLERANCES GENERALES DE FABRICATION	ASN 211.001(microns)(AS211.05)(eng)(iso)	MICRONS SAUF	<input checked="" type="checkbox"/> INDICATIONS CONTRAIRES			NON CRITIQUE

VISAS DES SERVICES D'ETAT

CE DESSIN EST LA PROPRIETE DE Alcatel ET NE PEUT ETRE REPRODUIT OU COMMUNIQUE SANS SON AUTORISATION.

DES MARTIN.D LE 13/05/03 TITRE  
 VERIF MARCHAND.B LE 13/05/03  
 CALCUL - LE -  
 VISA CLAVEL.P LE 13/05/03

PLANCK  
 4 K PIPING INTERFACE

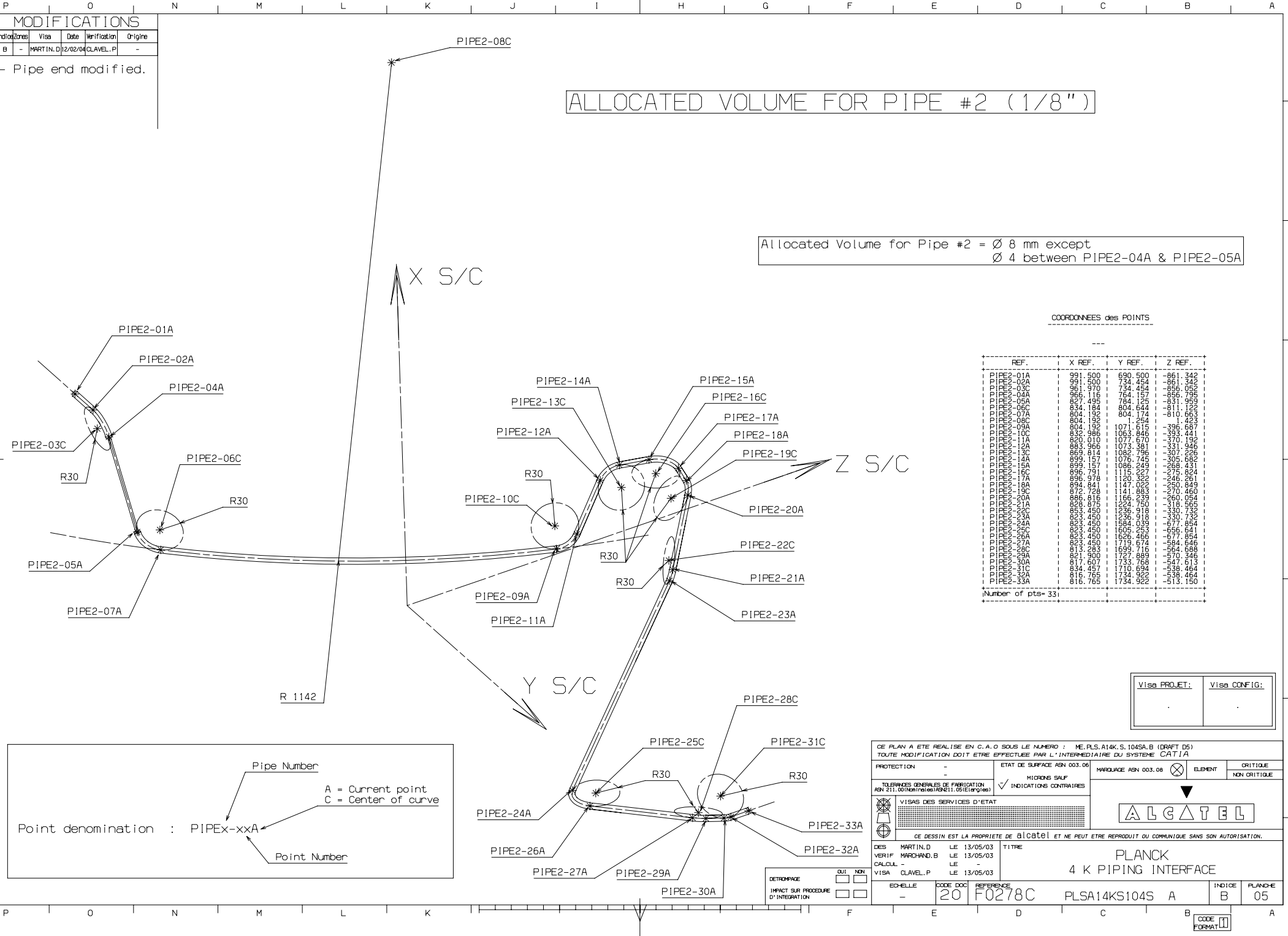
ETAT	SUI	NON
DETROMPAGE	<input type="checkbox"/>	<input type="checkbox"/>
IMPACT SUR PROCEDURE D'INTEGRATION	<input type="checkbox"/>	<input type="checkbox"/>

ECHELLE	CODE DOC	REFERENCE	INDICE	PLANCHE
-	20	F0278C	B	04

PLSA14KS104S A

CODE FORMAT

c111290 FRAME 1 FEBRUARY 17, 2004 11.32.23



MODIFICATIONS				
Indice/Zones	Visa	Date	Verification	Origine
B	-	MARTIN.D 12/02/04	CLAVEL.P	-

- Pipe end modified.

ALLOCATED VOLUME FOR PIPE #2 (1/8")

Allocated Volume for Pipe #2 = Ø 8 mm except  
Ø 4 between PIPE2-04A & PIPE2-05A

COORDONNEES des POINTS

REF.	X REF.	Y REF.	Z REF.
PIPE2-01A	991.500	690.500	-861.342
PIPE2-02A	991.500	734.454	-861.342
PIPE2-03C	96.370	734.454	-856.955
PIPE2-04A	966.116	764.157	-856.795
PIPE2-05A	627.495	784.25	-831.923
PIPE2-06C	854.184	804.644	-811.923
PIPE2-07A	804.192	804.174	-810.663
PIPE2-08C	804.192	804.174	-810.663
PIPE2-09A	804.192	1071.215	-396.587
PIPE2-10C	832.966	1063.846	-393.441
PIPE2-11A	820.010	1077.670	-370.192
PIPE2-12A	883.965	1073.381	-331.946
PIPE2-13C	869.814	1082.796	-307.226
PIPE2-14A	999.157	1076.745	-305.682
PIPE2-15A	999.157	1086.249	-268.431
PIPE2-16C	896.791	1115.227	-275.824
PIPE2-17A	896.978	1120.322	-246.261
PIPE2-18A	894.841	1147.022	-250.849
PIPE2-19C	872.728	1141.883	-270.460
PIPE2-20A	888.818	1166.439	-260.054
PIPE2-21A	828.875	1224.750	-618.565
PIPE2-22C	853.450	1236.918	-330.732
PIPE2-23A	823.450	1236.918	-330.732
PIPE2-24A	823.450	1684.039	-677.854
PIPE2-25C	823.450	1605.253	-656.641
PIPE2-26A	823.450	1625.466	-677.854
PIPE2-27A	823.450	1719.674	-584.646
PIPE2-28C	813.283	1699.716	-564.698
PIPE2-29A	821.300	1727.889	-570.346
PIPE2-30A	817.607	1733.768	-547.613
PIPE2-31C	834.457	1710.694	-538.464
PIPE2-32A	816.765	1734.922	-538.464
PIPE2-33A	816.765	1734.922	-513.150

Number of pts= 33

Pipe Number  
A = Current point  
C = Center of curve  
Point denomination : PIPEx-xxA  
Point Number

Visa PROJET:	Visa CONFIG:
--------------	--------------

CE PLAN A ETE REALISE EN C.A.O SOUS LE NUMERO : ME.PLS.A14K.S.104SA.B (DRAFT D5)  
TOUTE MODIFICATION DOIT ETRE EFFECTUEE PAR L'INTERMEDIAIRE DU SYSTEME CATIA

PROTECTION	-	ETAT DE SURFACE ASN 003.06	HARDJOURE ASN 003.08	<input checked="" type="checkbox"/> ELEMENT	CRITIQUE
TOLERANCES GENERALES DE FABRICATION	ASN 211.001mm(mil)(in)(0.01)(1.0)(1.0)(1.0)(1.0)	MICRONS SAUF	<input checked="" type="checkbox"/> INDICATIONS CONTRAIRES		NON CRITIQUE

VISAS DES SERVICES D'ETAT

CE DESSIN EST LA PROPRIETE DE Alcatel ET NE PEUT ETRE REPRODUIT OU COMMUNIQUE SANS SON AUTORISATION.

DES	MARTIN.D	LE	13/05/03	TITRE	PLANCK
VERIF	MARHAND.B	LE	13/05/03		4 K PIPING INTERFACE
CALCUL	-	LE	-		
VISA	CLAVEL.P	LE	13/05/03		

DETROMPAGE: SUI  NON   
IMPACT SUR PROCEDURE D'INTEGRATION:

ECHELLE	CODE DOC	REFERENCE	INDICE	PLANCHE
-	20	F0278C	B	05

Alcatel

CODE FORMAT



# PLANCK DRAWING

## CHANGE RECORD

DRAWING TITLE            0.1 K PIPING INTERFACE            Date: 10/02/2004

REFERENCE DRAWING    ME.PLS.A14K.S.101SA            Indice: B

NUMBER OF SHEET      15

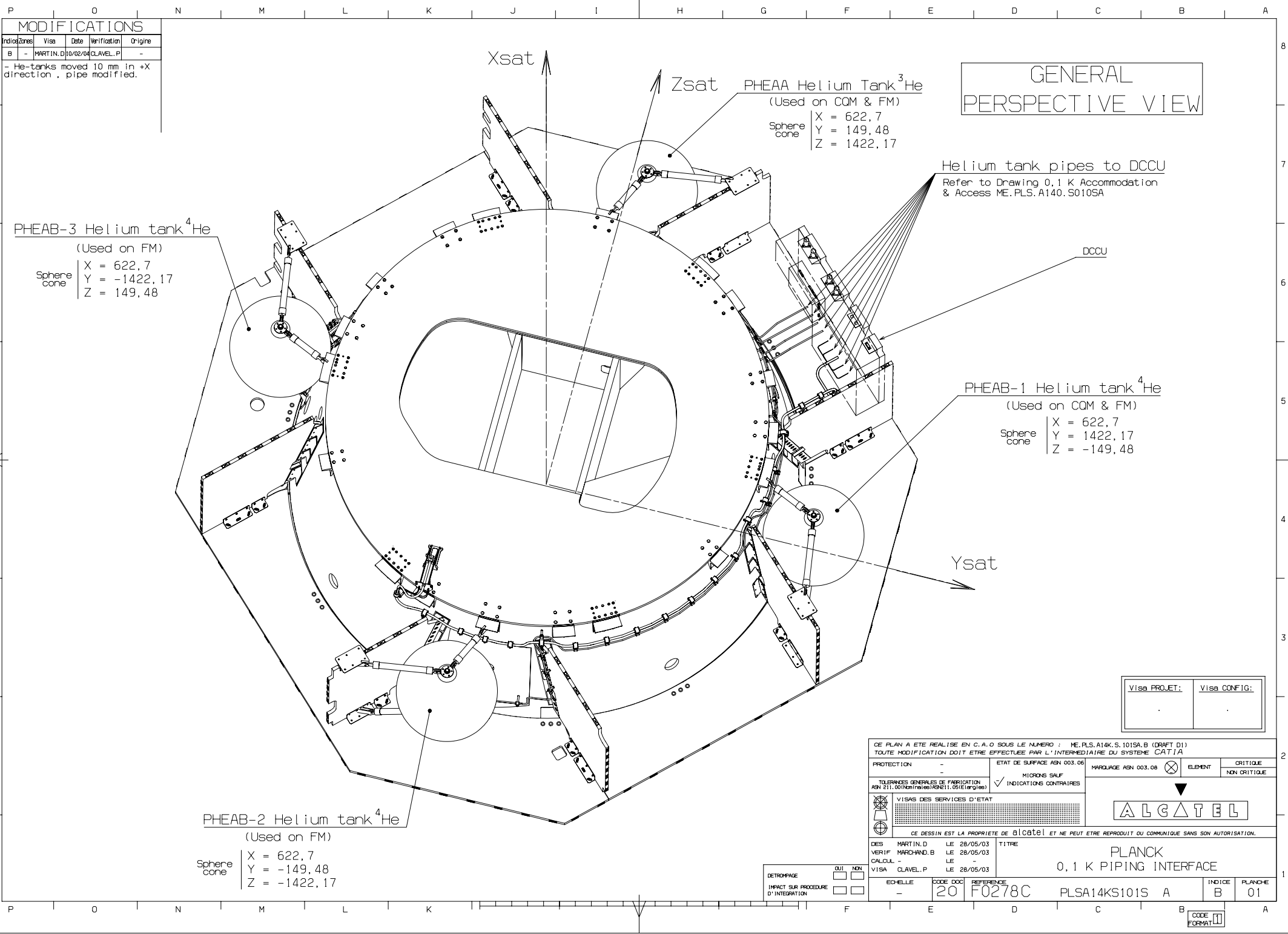
Ind	Date	Modifications	Approbation
A	28/05/2003	INITIAL DRAWING	
B	10/02/2004	PIPE END MODIFIED  HE TANK MOVED 10 mm IN +X	

**MODIFICATIONS**

Indice/Zones	Visa	Date	Vérification	Origine	
B	-	MARTIN.D	10/02/04	CLAVEL.P	-

- He-tanks moved 10 mm in +X direction, pipe modified.

**GENERAL PERSPECTIVE VIEW**



PHEAA Helium Tank<sup>3</sup>He  
(Used on CQM & FM)  
Sphere cone  
X = 622,7  
Y = 149,48  
Z = 1422,17

Helium tank pipes to DCCU  
Refer to Drawing 0.1 K Accommodation & Access ME.PLS.A140.S010SA

PHEAB-3 Helium tank<sup>4</sup>He  
(Used on FM)  
Sphere cone  
X = 622,7  
Y = -1422,17  
Z = 149,48

PHEAB-1 Helium tank<sup>4</sup>He  
(Used on CQM & FM)  
Sphere cone  
X = 622,7  
Y = 1422,17  
Z = -149,48

PHEAB-2 Helium tank<sup>4</sup>He  
(Used on FM)  
Sphere cone  
X = 622,7  
Y = -149,48  
Z = -1422,17

Visa PROJET:	Visa CONFIG:
--------------	--------------

CE PLAN A ETE REALISE EN C.A.O SOUS LE NUMERO : ME.PLS.A14K.S.101SA.B (DRAFT 01)  
TOUTE MODIFICATION DOIT ETRE EFFECTUEE PAR L'INTERMEDIAIRE DU SYSTEME CATIA

PROTECTION	-	ETAT DE SURFACE ASN 003.06	MARQUAGE ASN 003.06	<input checked="" type="checkbox"/>	ELEMENT	CRITIQUE
TOLERANCES GENERALES DE FABRICATION	ASN 211.001(Nm) / ASN 211.05(Energie)	MICROUS SAUF	INDICATIONS CONTRAIRES	<input checked="" type="checkbox"/>	ELEMENT	NON CRITIQUE

CE DESSIN EST LA PROPRIETE DE Alcatel ET NE PEUT ETRE REPRODUIT OU COMMUNIQUE SANS SON AUTORISATION.

DES	MARTIN.D	LE	28/05/03	TITRE	PLANCK
VERIF	MARCHAND.B	LE	28/05/03		0.1 K PIPING INTERFACE
CALCUL	-	LE	-		
VISA	CLAVEL.P	LE	28/05/03		

DETROUPE	<input type="checkbox"/>	OUI	<input type="checkbox"/>	NON	<input type="checkbox"/>
IMPACT SUR PROCEDURE D'INTEGRATION	<input type="checkbox"/>	OUI	<input type="checkbox"/>	NON	<input type="checkbox"/>

ECHELLE	CODE DOC	REFERENCE	INDICE	PLANCHE
-	20	F0278C	B	01

PLSA14KS101S A

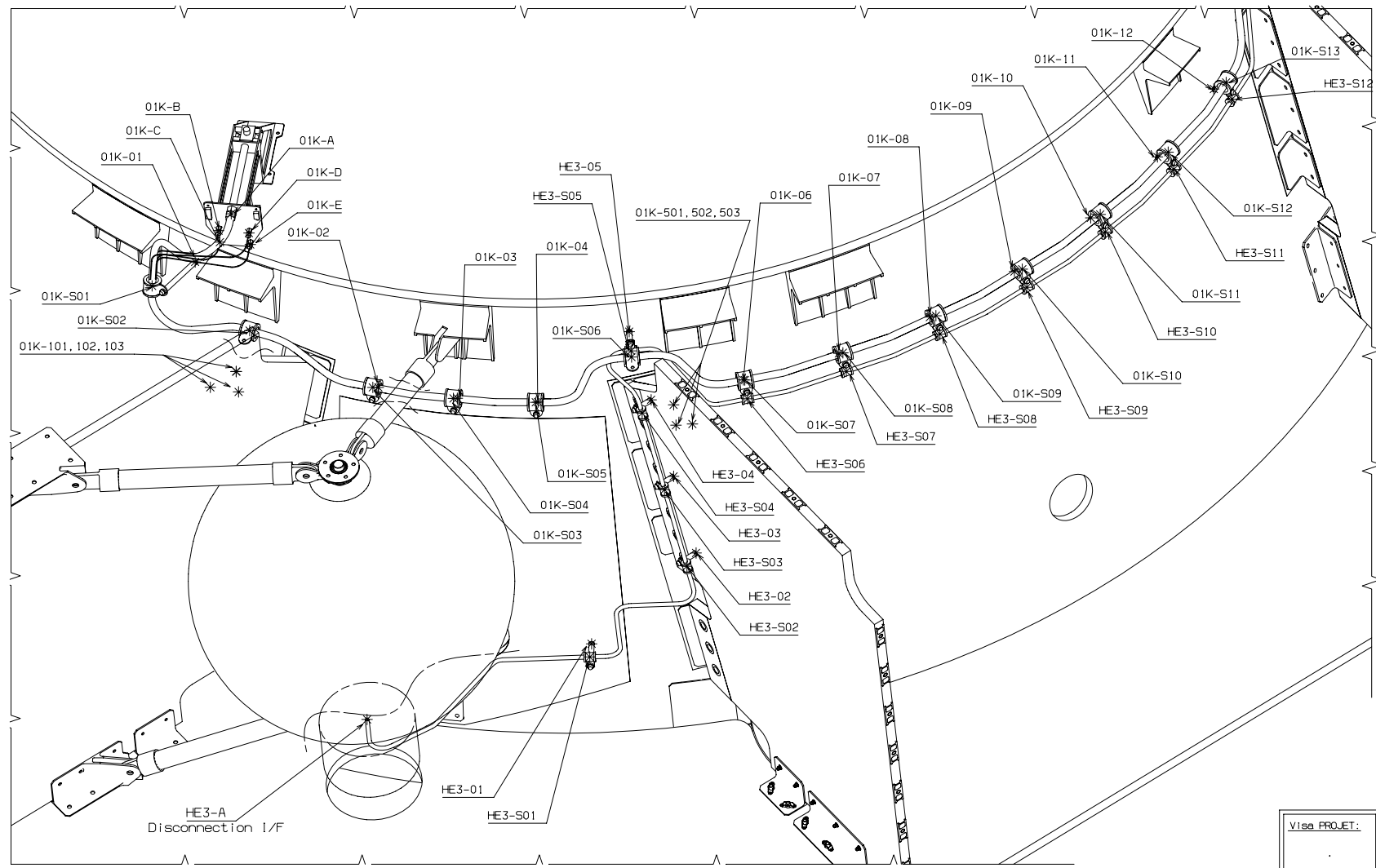
CODE FORMAT

c111290 FRAME 1 FEBRUARY 12, 2004 11.16.41

MODIFICATIONS				
Indice/Zones	Visa	Date	Verification	Origine
B	MARTIN.D	01/02/04	CLAVEL.P	-

- He-tanks moved 10 mm in +X direction, pipe modified.

# PIPE / SVM STRUCTURE & PIPE SUPPORT INTERFACE POINTS Part #1



NOTA : -For points coordinates see draw 5 & 6

Visa PROJET:	Visa CONFIG:
--------------	--------------

CE PLAN A ETE REALISE EN C.A.O SOUS LE NUMERO : ME.PLS.A14K.S.101SA.B (DRAFT D2)  
 TOUTE MODIFICATION DOIT ETRE EFFECTUEE PAR L'INTERMEDIAIRE DU SYSTEME CATIA

PROTECTION	-	ETAT DE SURFACE ASN 003.06	MARQUAGE ASN 003.08	<input checked="" type="checkbox"/> ELEMENT	CRITIQUE
TOLERANCES GENERALES DE FABRICATION	ASN 211.001mm (sauf) ASN 211.05 (si larges)	MICRONS SAUF	INDICATIONS CONTRAIRES	<input type="checkbox"/>	NON CRITIQUE

VISAS DES SERVICES D'ETAT

CE DESSIN EST LA PROPRIETE DE Alcatel ET NE PEUT ETRE REPRODUIT OU COMMUNIQUE SANS SON AUTORISATION.

DES	MARTIN.D	LE	28/05/03	TITRE	PLANCK
VERIF	MARCHANT.B	LE	28/05/03		0,1 K PIPING INTERFACE
CALCUL	-	LE	-		
VISA	CLAVEL.P	LE	28/05/03		

DETROMPAGE	SUI	NON
IMPACT SUR PROCEDURE D'INTEGRATION	<input type="checkbox"/>	<input type="checkbox"/>

ECHELLE	CODE DOC	REFERENCE	INDICE	PLANCHE
-	20	F0278C	B	02

PLSA14KS101S A

c111290 FRAME 1 MARCH 4, 2004 07.46.58



c111290 FRAME 1 MARCH 4, 2004 07.52.42

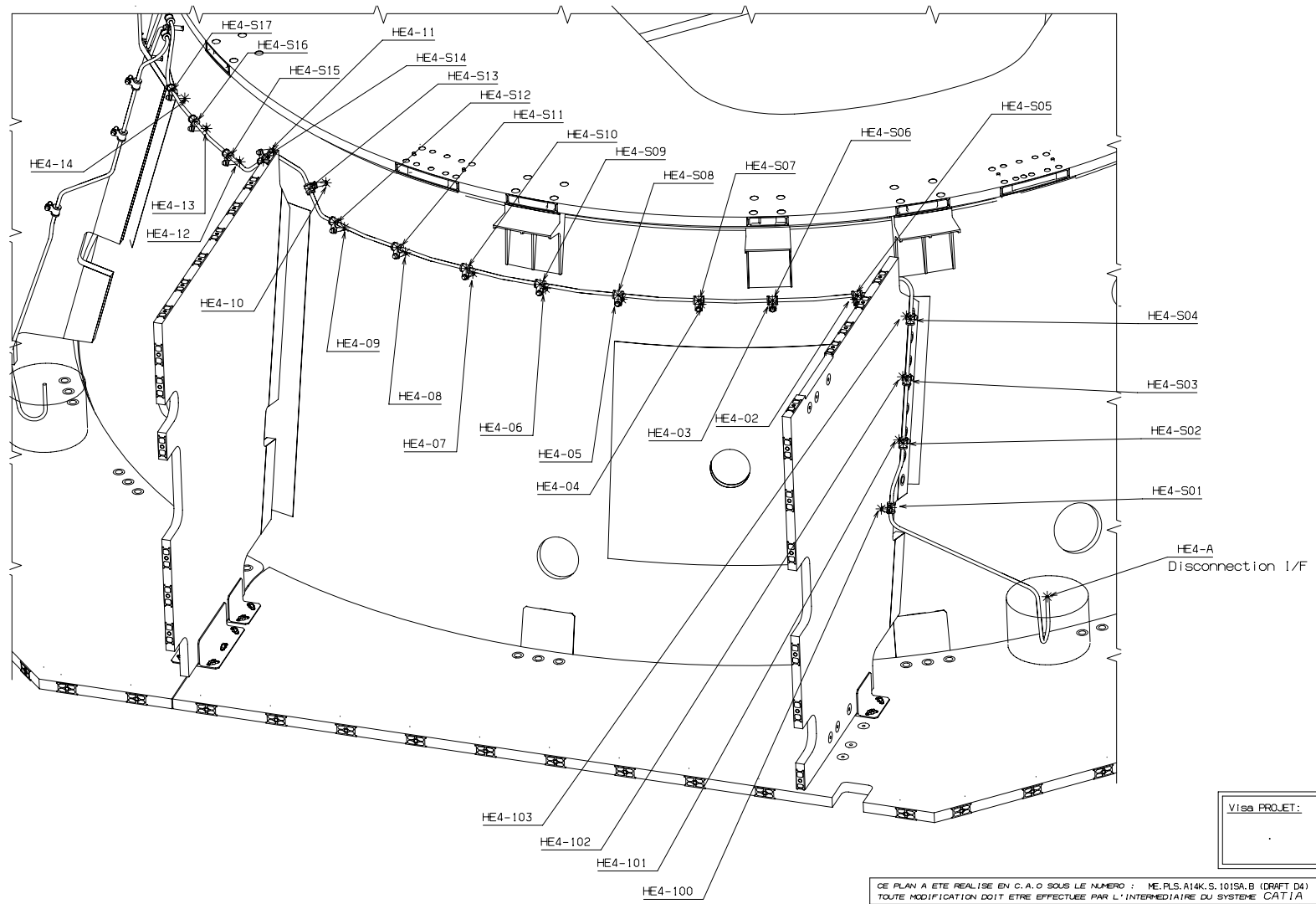
P O N M L K J I H G F E D C B A

**MODIFICATIONS**

Indice/Zones	Visa	Date	Verification	Origine
B	MARTIN.D	10/02/04	CLAVEL.P	-

- He-tanks moved 10 mm in +X direction, pipe modified.

**PIPE / SVM STRUCTURE & PIPE SUPPORT INTERFACE POINTS Part #3**



NOTA : -For points coordinates see draw 5 & 6

Visa PROJET:	Visa CONFIG:
--------------	--------------

CE PLAN A ETE REALISE EN C.A.O SOUS LE NUMERO : ME.PLS.A14K.S.101SA.B (DRAFT D4)  
TOUTE MODIFICATION DOIT ETRE EFFECTUEE PAR L'INTERMEDIAIRE DU SYSTEME CATIA

PROTECTION	-	ETAT DE SURFACE ASN 003.06		HARQUAGE ASN 003.08	<input checked="" type="checkbox"/>	ELEMENT	CRITIQUE
TOLERANCES GENERALES DE FABRICATION	ASN 211.001 (non) / ASN 211.001 (lang) / ASN 211.001 (lang)	MICRONS SAUF	<input checked="" type="checkbox"/>	INDICATIONS CONTRAIRES			NON CRITIQUE

VISAS DES SERVICES D'ETAT

CE DESSIN EST LA PROPRIETE DE Alcatel ET NE PEUT ETRE REPRODUIT OU COMMUNIQUE SANS SON AUTORISATION.

DES	MARTIN.D	LE	28/05/03	TITRE	
VERIF	MARCHANT.B	LE	28/05/03		
CALCUL	-	LE	-		
VISA	CLAVEL.P	LE	28/05/03		

PLANCK  
0,1 K PIPING INTERFACE

DETROMPAGE	SUI	NON
IMPACT SUR PROCEDURE D'INTEGRATION	<input type="checkbox"/>	<input type="checkbox"/>

ECHILLE	CODE DOC	REFERENCE	INDICE	PLANCHE
-	20	F0278C	B	04

PLSA14KS101S A

CODE FORMAT:

P O N M L K J I H G F E D C B A

CODE FORMAT:

# INTERFACE POINTS PIPE / SVM STRUCTURE

See draw 02 -> 05

MODIFICATIONS					
Indic./Zones	Visa	Date	Verification	Origine	
B	-	MARTIN.D	10/02/04	CLAVEL.P	-

- He-tanks moved 10 mm in +X direction, pipe modified.

## PIPE 0, 1K HE2 & HE3

POINTS COORDINATES

REF.	X REF.	Y REF.	Z REF.
01K-01	867.292	-444.993	-1006.667
01K-02	736.810	-146.100	-1123.220
01K-03	736.810	-19.770	-132.510
01K-04	736.810	106.810	-1127.840
01K-06	736.810	419.480	-1052.190
01K-07	736.810	559.690	-984.740
01K-08	736.810	690.060	-898.220
01K-09	736.810	807.260	-794.550
01K-10	736.810	909.050	-675.720
01K-101	842.800	391.277	-1198.750
01K-102	792.500	351.277	-1198.730
01K-103	842.500	396.632	-1234.086
01K-11	736.809	993.498	-543.999
01K-12	736.630	1059.811	-399.841
01K-13	840.544	1081.757	-236.231
01K-14	736.698	1129.953	-79.014
01K-15	736.698	1129.221	88.872
01K-16	838.117	1206.481	335.665
01K-17	838.117	1241.836	371.020
01K-18	788.117	1206.481	335.665
01K-19	872.983	1235.329	388.569
01K-20	873.028	1313.111	466.351
01K-21	815.000	1358.953	512.193
01K-22	705.000	1358.953	512.193
01K-501	814.579	344.389	-1215.205
01K-502	864.579	344.389	-1215.205
01K-503	864.579	379.745	-1250.561
01K-A	1052.500	-366.250	-1059.300
01K-B	1008.500	-390.250	-1059.300
01K-C	980.500	-390.250	-1059.300
01K-D	1008.500	-342.250	-1059.300
01K-E	980.500	-342.250	-1059.300
01K-F	642.200	1302.349	797.475
01K-G	642.200	1373.060	726.764
01K-H	642.200	1337.705	762.120
01K-I	642.200	1266.994	832.830
01K-J	642.200	1231.639	868.186
HE2-01	490.629	278.293	-407.477
HE2-02	671.564	312.635	-484.451
HE2-03	785.260	452.570	-561.295
HE2-04	871.408	559.690	-644.740
HE2-05	767.531	349.460	-1069.492
HE2-06	650.995	452.570	-1061.295
HE2-07	650.995	591.970	-990.322
HE2-08	650.995	736.106	-888.434
HE2-09	650.995	828.790	-802.670
HE2-A	282.750	149.476	-1422.166
HE2-B	673.500	1090.217	-1009.607
HE4-100	471.360	-1202.082	411.266
HE4-101	595.951	-1206.185	335.266
HE4-102	671.564	-1183.451	312.635
HE4-103	782.363	-1161.663	230.847
HE4-01	784.723	-1065.792	447.185
HE4-03	784.723	-1009.170	487.880
HE4-04	784.724	-944.990	602.864
HE4-05	784.724	-888.400	720.834
HE4-06	784.724	-756.969	826.711
HE4-07	784.724	-642.641	918.403
HE4-08	784.723	-517.288	984.396
HE4-09	784.723	-383.171	1053.390
HE4-10	848.274	-220.080	1057.945
HE4-11	848.274	-169.728	1092.196
HE4-12	784.723	-77.974	1118.200
HE4-13	784.723	50.813	1119.371
HE4-14	784.723	175.497	1107.091
HE4-15	682.560	857.210	760.610
HE4-A	490.629	-1222.195	-49.476
HE4-B	673.500	1125.572	974.252

Number of Pts: 54

VECTOR NORMAL TO CONE SURFACE STARTING FROM CORRESPONDING PIPE POINT

VECTOR 01K-01	X = .239	Y = -.393	Z = -.888
VECTOR 01K-02	X = .239	Y = -.125	Z = -.963
VECTOR 01K-03	X = .239	Y = -.017	Z = -.971
VECTOR 01K-04	X = .239	Y = -.092	Z = -.967
VECTOR 01K-06	X = .239	Y = .327	Z = -.914
VECTOR 01K-07	X = .239	Y = .480	Z = -.844
VECTOR 01K-08	X = .239	Y = .592	Z = -.770
VECTOR 01K-09	X = .239	Y = .692	Z = -.681
VECTOR 01K-10	X = .239	Y = .780	Z = -.579
VECTOR 01K-11	X = .239	Y = .852	Z = -.466
VECTOR 01K-12	X = .239	Y = .920	Z = -.311
VECTOR 01K-13	X = .239	Y = .951	Z = -.199
VECTOR 01K-14	X = .239	Y = .966	Z = -.096
VECTOR 01K-15	X = .239	Y = .970	Z = .048
VECTOR HE2-06	X = .239	Y = .923	Z = .301
VECTOR HE2-07	X = .239	Y = .893	Z = .381
VECTOR HE2-08	X = .239	Y = .836	Z = .494
VECTOR HE2-09	X = .239	Y = .790	Z = .565
VECTOR HE3-01	X = .239	Y = .137	Z = -.961
VECTOR HE3-05	X = .239	Y = .226	Z = -.944
VECTOR HE3-07	X = .239	Y = .764	Z = -.599

## PIPE HE1 & HE4

POINTS COORDINATES

REF.	X REF.	Y REF.	Z REF.
HE1-00	490.629	407.477	1278.293
HE1-01	671.564	312.635	1183.451
HE1-02	785.260	290.279	1161.095
HE1-03	871.408	258.466	1087.056
HE1-04	767.531	349.460	1069.492
HE1-05	650.995	452.570	1061.295
HE1-06	650.995	591.970	990.322
HE1-07	650.995	736.106	888.434
HE1-08	650.995	828.790	802.670
HE1-A	282.750	149.476	1422.166
HE1-B	673.500	1090.217	1009.607
HE4-100	471.360	-1202.082	411.266
HE4-101	595.951	-1206.185	335.266
HE4-102	671.564	-1183.451	312.635
HE4-103	782.363	-1161.663	230.847
HE4-01	784.723	-1065.792	447.185
HE4-03	784.723	-1009.170	487.880
HE4-04	784.724	-944.990	602.864
HE4-05	784.724	-888.400	720.834
HE4-06	784.724	-756.969	826.711
HE4-07	784.724	-642.641	918.403
HE4-08	784.723	-517.288	984.396
HE4-09	784.723	-383.171	1053.390
HE4-10	848.274	-220.080	1057.945
HE4-11	848.274	-169.728	1092.196
HE4-12	784.723	-77.974	1118.200
HE4-13	784.723	50.813	1119.371
HE4-14	784.723	175.497	1107.091
HE4-15	682.560	857.210	760.610
HE4-A	490.629	-1222.195	-49.476
HE4-B	673.500	1125.572	974.252

Number of Pts: 31

VECTOR NORMAL TO CONE SURFACE STARTING FROM CORRESPONDING PIPE POINT

VECTOR HE4-02	X = .239	Y = -.923	Z = .301
VECTOR HE4-03	X = .239	Y = -.874	Z = .423
VECTOR HE4-04	X = .239	Y = -.819	Z = .522
VECTOR HE4-05	X = .239	Y = -.744	Z = .625
VECTOR HE4-06	X = .239	Y = -.656	Z = .716
VECTOR HE4-07	X = .239	Y = -.557	Z = .796
VECTOR HE4-08	X = .239	Y = -.448	Z = .862
VECTOR HE4-09	X = .239	Y = -.332	Z = .913
VECTOR HE4-10	X = .239	Y = -.281	Z = .930
VECTOR HE4-11	X = .239	Y = -.149	Z = .960
VECTOR HE4-12	X = .239	Y = -.068	Z = .969
VECTOR HE4-13	X = .239	Y = .051	Z = .970
VECTOR HE4-14	X = .239	Y = .152	Z = .959
VECTOR HE4-15	X = .239	Y = .262	Z = .945
VECTOR HE1-03	X = .239	Y = .229	Z = .944
VECTOR HE1-04	X = .239	Y = .302	Z = .923
VECTOR HE1-05	X = .239	Y = .381	Z = .893
VECTOR HE1-06	X = .239	Y = .498	Z = .834
VECTOR HE1-07	X = .239	Y = .620	Z = .748
VECTOR HE1-08	X = .239	Y = .703	Z = .670

Visa PROJET:	Visa CONFIG:
--------------	--------------

CE PLAN A ETE REALISE EN C.A.O. SOUS LE NUMERO : ME, PLS, A14K, S, 1015A, B (DRAFT 05)  
TOUTE MODIFICATION DOIT ETRE EFFECTUEE PAR L'INTERMEDIAIRE DU SYSTEME CATIA

PROTECTION	-	ETAT DE SURFACE ASN 003.06	MARQUAGE ASN 003.06	<input checked="" type="checkbox"/>	ELEMENT	CRITIQUE
TOLERANCES GENERALES DE FABRICATION	ASIN 211.00 (Normales) / ASIN 211.05 (Elonges)	MICROUS SAUF	INDICATIONS CONTRAIRES	<input checked="" type="checkbox"/>	NON CRITIQUE	

VISAS DES SERVICES D'ETAT

CE DESSIN EST LA PROPRIETE DE Alcatel ET NE PEUT ETRE REPRODUIT OU COMMUNIQUE SANS SON AUTORISATION.

DES	MARTIN.D	LE	28/05/03	TITRE	PLANCK
VERIF	MARCHAND.B	LE	28/05/03		
CALCUL	-				
VISA	CLAVEL.P	LE	28/05/03		

PLSA14KS101S A

INDICE B

PLANCHE 05

ETAT: OUI NON

DETACHEMENT:  OUI  NON

IMPACT SUR PROCEDURE D'INTEGRATION:  OUI  NON

ECHELLE: -

CODE DOC: 20

REFERENCE: F0278C

CODE FORMAT:

c111290 FRAME 1 FEBRUARY 11, 2004 15.48.56

MODIFICATIONS				
Indic./Zones	Visa	Date	Vérification	Origine
B	-	MARTIN.D 10/02/04	CLAVEL.P	-

- He-tanks moved 10 mm in +X direction, pipe modified.

# INTERFACE POINTS PIPE/SUPPORT PIPE

See Draw Q2 -> 05  
All points on pipe neutral fiber

## PIPE HE1

POINTS COORDINATES

REF.	X REF.	Y REF.	Z REF.
HE1-S01	486.275	386.866	1276.763
HE1-S02	667.210	292.025	1191.921
HE1-S03	780.906	269.668	1159.565
HE1-S04	968.666	267.153	1098.668
HE1-S05	769.173	344.457	1102.734
HE1-S06	642.253	465.331	1091.220
HE1-S07	642.253	608.662	1018.246
HE1-S08	642.253	756.662	913.485
HE1-S09	642.253	852.158	825.301

Number of Pts: 9

## PIPE HE2

POINTS COORDINATES

REF.	X REF.	Y REF.	Z REF.
HE2-S01	486.275	1276.763	386.866
HE2-S02	667.210	1191.921	292.025
HE2-S03	780.906	1159.565	269.668
HE2-S04	968.666	1178.270	83.828
HE2-S05	731.886	1177.718	91.252
HE2-S06	853.117	1165.131	248.064
HE2-S07	795.880	1095.399	345.577
HE2-S08	741.258	1068.949	455.963
HE2-S09	741.258	1000.341	591.192
HE2-S10	698.705	962.734	668.829

Number of Pts: 10

## PIPE 0,1 K

POINTS COORDINATES

REF.	X REF.	Y REF.	Z REF.
O1K-S01	888.397	-500.210	-1077.916
O1K-S02	857.500	-340.540	-1127.062
O1K-S03	765.038	-149.191	-1146.980
O1K-S04	765.038	-20.186	-1156.466
O1K-S05	765.038	109.071	-1151.488
O1K-S06	889.579	266.813	-1146.574
O1K-S07	764.870	427.951	-1074.744
O1K-S08	765.038	571.533	-1005.570
O1K-S09	765.038	704.957	-917.214
O1K-S10	765.038	824.333	-811.555
O1K-S11	765.038	928.279	-690.014
O1K-S12	765.038	1014.512	-555.505
O1K-S13	765.038	1082.485	-407.512
O1K-S14	664.878	1092.485	-247.512
O1K-S15	664.878	1105.209	-241.131
O1K-S16	764.925	1153.796	-81.369
O1K-S17	764.925	1153.153	90.046
O1K-S18	894.625	1159.978	246.290
O1K-S19	894.625	1214.470	409.429
O1K-S20	894.728	1292.251	487.210
O1K-S21	819.000	1353.438	548.397
O1K-S22	705.000	1353.438	548.397

Number of Pts: 21

## PIPE HE3

POINTS COORDINATES

REF.	X REF.	Y REF.	Z REF.
HE3-S01	307.958	182.457	-1283.536
HE3-S02	520.688	347.475	-1298.585
HE3-S03	669.843	318.146	-1229.266
HE3-S04	818.997	288.817	-1199.927
HE3-S05	851.112	258.606	-1170.588
HE3-S06	727.657	430.109	-1081.693
HE3-S07	727.824	575.292	-1012.167
HE3-S08	727.824	708.279	-923.231
HE3-S09	727.824	823.741	-816.678
HE3-S10	727.824	934.369	-694.541
HE3-S11	727.824	1021.157	-559.150
HE3-S12	727.663	1089.700	-409.952
HE3-S13	631.559	1112.636	-242.683
HE3-S14	727.710	1191.343	-82.141
HE3-S15	727.710	1150.728	90.418
HE3-S16	870.633	1165.131	248.064
HE3-S17	817.965	1082.117	365.415
HE3-S18	773.577	1050.909	452.137
HE3-S19	773.577	932.818	586.745
HE3-S20	698.705	852.644	710.186

Number of Pts: 20

## PIPE HE4

POINTS COORDINATES

REF.	X REF.	Y REF.	Z REF.
HE4-S01	467.007	-1280.552	390.655
HE4-S02	560.305	-1226.796	336.899
HE4-S03	675.918	-1204.062	314.165
HE4-S04	786.723	-1182.274	292.377
HE4-S05	807.301	-1088.416	354.554
HE4-S06	807.301	-1030.591	498.236
HE4-S07	807.301	-965.049	615.661
HE4-S08	807.301	-876.621	736.135
HE4-S09	807.301	-773.037	844.259
HE4-S10	807.301	-656.282	937.898
HE4-S11	807.301	-528.309	1015.504
HE4-S12	807.301	-391.305	1075.750
HE4-S13	843.912	-317.889	1090.380
HE4-S14	843.912	-185.752	1120.481
HE4-S15	807.301	-73.629	1141.935
HE4-S16	807.301	60.062	1143.132
HE4-S17	807.301	179.222	1130.591
HE4-S18	899.966	265.088	1090.176
HE4-S19	775.725	372.157	1089.790
HE4-S20	673.572	461.903	1083.181
HE4-S21	673.572	604.178	1010.745
HE4-S22	673.573	751.286	906.756
HE4-S23	673.573	880.811	781.544

Number of Pts: 23

Visa PROJET:	Visa CONFIG:
--------------	--------------

CE PLAN A ETE REALISE EN C.A.O SOUS LE NUMERO : ME, PLS, A14K, S, 1015A, B (DRAFT 06)  
TOUTE MODIFICATION DOIT ETRE EFFECTUEE PAR L'INTERMEDIAIRE DU SYSTEME CATIA

PROTECTION	-	ETAT DE SURFACE ASN 003.06	MARQUAGE ASN 003.08	<input checked="" type="checkbox"/> ELEMENT	CRITIQUE
TOLERANCES GENERALES DE FABRICATION	ASN 211.00 (Normales) / ASN 211.05 (Elargies)	MICROUS SAUF	<input checked="" type="checkbox"/> INDICATIONS CONTRAIRES	NON CRITIQUE	

VISAS DES SERVICES D'ETAT

CE DESSIN EST LA PROPRIETE DE Alcatel et NE PEUT ETRE REPRODUIT OU COMMUNIQUE SANS SON AUTORISATION.

DES: MARTIN.D LE: 28/05/03 TITRE: PLANCK  
 VERIF: MARCHAND.B LE: 28/05/03  
 CALCUL: -  
 VISA: CLAVEL.P LE: 28/05/03

0,1 K PIPING INTERFACE

DETROMPAGE	<input type="checkbox"/> OUI	<input type="checkbox"/> NON
IMPACT SUR PROCEDURE D'INTEGRATION	<input type="checkbox"/> OUI	<input type="checkbox"/> NON

ECHELLE: - CODE DOC: 20 REFERENCE: F0278C  
 PLSA14KS101S A INDICE: B PLANCHE: 06

CODE FORMAT: 11

c111290 FRAME 1 FEBRUARY 11, 2004 15:49:41

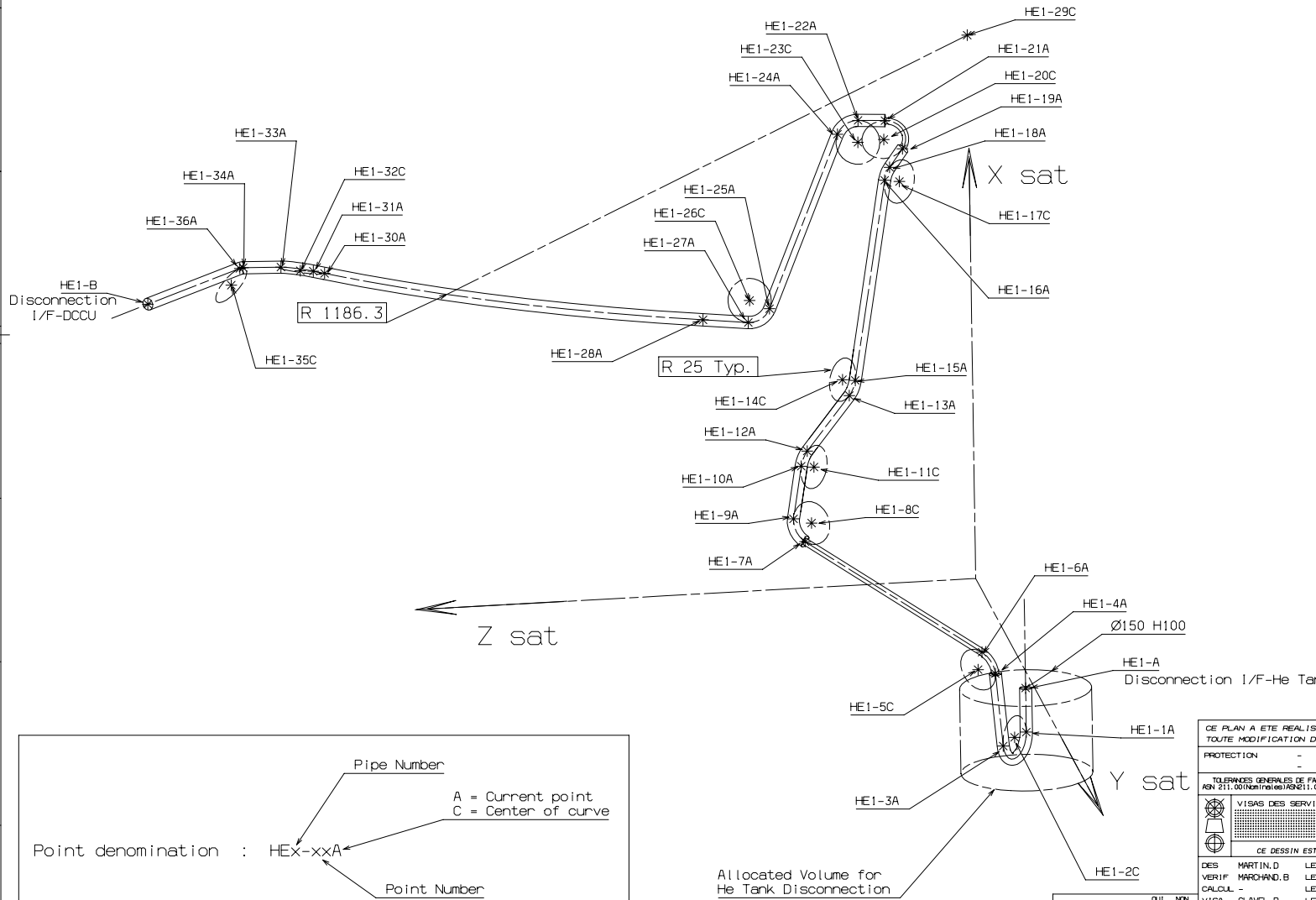
MODIFICATIONS				
Indice/Zones	Visa	Date	Verification	Origine
B	MARTIN.D	10/02/04	CLAVEL.P	-

- He-tanks moved 10 mm in +X direction, pipe modified.

### ALLOCATED VOLUME FOR PIPE HE1

All points on pipe neutral fiber

Allocated Volume for Pipe HE1 =  $\varnothing$  14 mm except  
 $\varnothing$  8 between HE1-4A & HE1-7A  
 $\varnothing$  7 between HE1-19A & HE1-21A



POINTS COORDINATES

REF.	X REF.	Y REF.	Z REF.
HE1-01A	230.750	149.476	1422.166
HE1-02C	230.750	165.672	1441.210
HE1-03A	226.808	181.665	1460.016
HE1-04A	316.499	190.940	1470.880
HE1-05C	316.499	207.999	1452.643
HE1-06A	339.521	204.519	1461.743
HE1-07A	432.725	38.325	1283.689
HE1-07C	456.001	374.363	1299.564
HE1-08A	457.161	392.591	1292.488
HE1-09A	515.390	38.141	1292.488
HE1-10C	508.692	364.110	1254.007
HE1-11A	530.460	372.808	1262.701
HE1-12A	576.436	315.248	1205.145
HE1-13C	598.204	323.942	1211.839
HE1-14A	591.506	306.311	1196.207
HE1-15A	813.208	263.316	1153.213
HE1-16C	806.558	244.291	1138.420
HE1-17A	828.471	256.528	1147.295
HE1-18A	842.367	239.382	1133.026
HE1-19C	851.513	256.720	1119.436
HE1-20A	868.666	242.422	1101.763
HE1-21A	868.666	284.310	1094.496
HE1-22C	844.302	285.635	1099.940
HE1-23A	853.126	307.844	1092.905
HE1-24A	658.168	392.271	1115.729
HE1-25C	666.181	413.549	1105.163
HE1-26A	642.253	415.447	1112.066
HE1-27A	642.253	465.331	1091.220
HE1-28C	642.253	-001	1004
HE1-29A	642.253	859.323	817.832
HE1-30A	642.253	870.584	806.275
HE1-31C	648.559	867.962	823.106
HE1-32A	642.253	907.843	807.983
HE1-33A	672.604	961.745	880.418
HE1-34C	651.773	975.158	877.058
HE1-35A	673.500	965.113	885.803
HE1-A	282.750	149.476	1422.166
HE1-B	673.500	1090.217	1009.607

Number of pts: 381

Point denomination : HEX-xxA  
 Pipe Number  
 A = Current point  
 C = Center of curve  
 Point Number

Allocated Volume for He Tank Disconnection

Visa PROJET:	Visa CONFIG:
--------------	--------------

CE PLAN A ETE REALISE EN C.A.O SOUS LE NUMERO : ME.PLS.A14K.S.101SA.B (DRAFT D7)  
 TOUTE MODIFICATION DOIT ETRE EFFECTUEE PAR L'INTERMEDIAIRE DU SYSTEME CATIA

PROTECTION	-	ETAT DE SURFACE ASN 003.06	ETAT DE SURFACE ASN 003.06	<input checked="" type="checkbox"/> ELIMENT	CRITIQUE
TOLERANCES GENERALES DE FABRICATION	ASN 211.001mm(mil)(in)(1/16)	MICRONS SAUF	<input checked="" type="checkbox"/> INDICATIONS CONTRAIRES	HARDJOURE ASN 003.08	NON CRITIQUE

VISAS DES SERVICES D'ETAT

CE DESSIN EST LA PROPRIETE DE Alcatel ET NE PEUT ETRE REPRODUIT OU COMMUNIQUE SANS SON AUTORISATION.

DES	MARTIN.D	LE	28/05/03	TITRE	PLANCK
VERIF	MARCHANT.B	LE	28/05/03		0.1 K PIPING INTERFACE
CALCUL	-	LE	-		
VISA	CLAVEL.P	LE	28/05/03		

DETROMPAGE: SUI NON    
 IMPACT SUR PROCEDURE D'INTEGRATION:

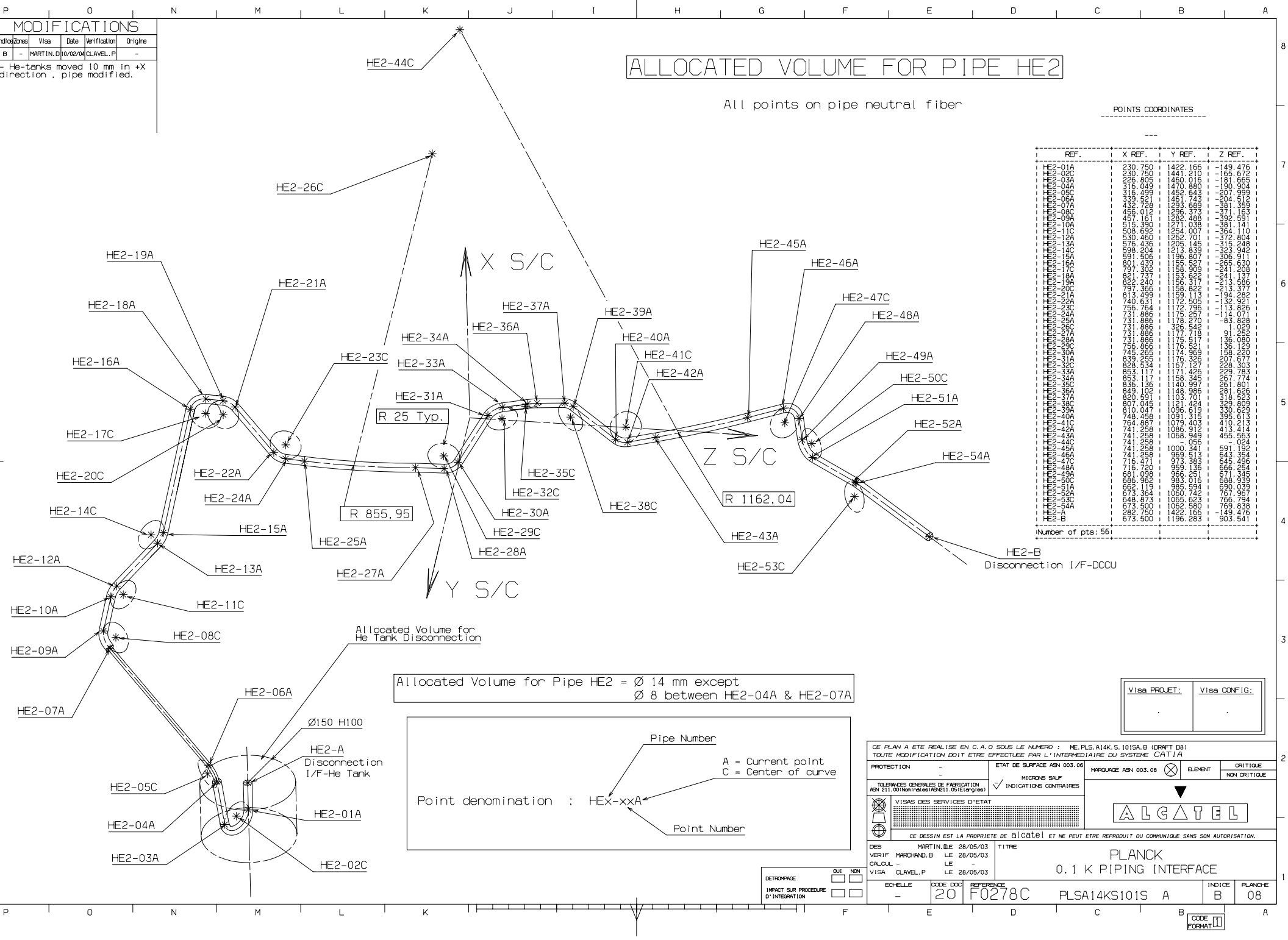
ECHELLE	CODE DOC	REFERENCE	INDICE	PLANCHE
-	20	F0278C	B	07

CODE FORMAT:

c111290 FRAME 1 MARCH 4, 2004 07.59.46



c111290 FRAME 1 MARCH 4, 2004 08.04.35



Indice/Zones	Visa	Date	Verification	Origine
B	-	MARTIN.D	02/04/CLAVEL.P	-

- He-tanks moved 10 mm in +X direction, pipe modified.

# ALLOCATED VOLUME FOR PIPE HE2

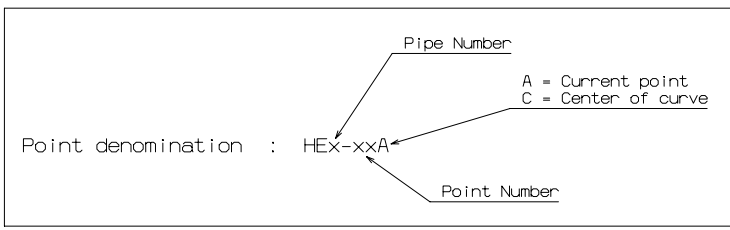
All points on pipe neutral fiber

POINTS COORDINATES

REF.	X REF.	Y REF.	Z REF.
HE2-01A	230.750	1422.166	-149.476
HE2-02C	230.750	1441.210	-166.672
HE2-03A	226.809	1460.016	-181.665
HE2-04A	316.049	1470.880	-190.904
HE2-05C	316.499	1492.643	-207.999
HE2-06A	336.521	1461.443	-204.712
HE2-07A	432.728	1293.689	-381.359
HE2-08C	456.012	1296.373	-371.163
HE2-09A	457.161	1282.488	-392.591
HE2-10A	515.390	1271.038	-381.141
HE2-11C	508.692	1254.007	-364.110
HE2-12A	530.460	1262.701	-372.804
HE2-13A	576.436	1205.145	-315.248
HE2-14C	598.204	1213.839	-323.942
HE2-15A	591.506	1196.807	-308.911
HE2-16A	801.439	1155.527	-265.630
HE2-17C	797.302	1158.909	-241.208
HE2-18A	821.737	1153.622	-241.137
HE2-19A	822.240	1156.317	-213.586
HE2-20C	797.366	1158.822	-213.377
HE2-21A	813.499	1153.113	-194.882
HE2-22A	740.631	1172.505	-132.921
HE2-23C	756.764	1172.796	-113.826
HE2-24A	731.886	1175.257	-114.071
HE2-25A	731.886	1178.270	-83.828
HE2-26C	731.886	1226.542	91.029
HE2-27A	731.886	1177.718	91.252
HE2-28A	731.886	1175.517	136.080
HE2-29C	756.866	1178.521	136.129
HE2-30A	743.259	1173.969	158.230
HE2-31A	839.255	1176.326	207.677
HE2-32C	828.534	1167.127	228.303
HE2-33A	858.117	1158.345	267.774
HE2-34A	839.136	1140.997	261.801
HE2-35C	849.109	1149.977	323.809
HE2-36A	820.591	1103.701	318.523
HE2-37A	807.045	1121.424	323.809
HE2-38C	810.047	1096.611	330.693
HE2-39A	748.458	1091.315	395.613
HE2-40A	764.897	1078.403	410.213
HE2-41C	741.258	1088.949	455.563
HE2-42A	741.258	1088.949	455.563
HE2-43A	741.258	1088.949	455.563
HE2-44C	741.258	1088.949	455.563
HE2-45A	741.258	1000.341	591.024
HE2-46A	741.258	969.513	643.354
HE2-47C	716.371	973.383	648.296
HE2-48A	718.720	959.136	666.254
HE2-49A	681.098	966.251	671.345
HE2-50C	681.098	966.251	671.345
HE2-51A	662.119	988.594	690.039
HE2-52A	673.264	1060.742	767.967
HE2-53C	643.673	1062.580	766.794
HE2-54A	673.500	1062.580	769.638
HE2-A	282.750	1422.166	-149.476
HE2-B	673.500	1196.283	303.541

Number of pts: 561

Allocated Volume for Pipe HE2 =  $\varnothing$  14 mm except  $\varnothing$  8 between HE2-04A & HE2-07A



Visa PROJ.:	Visa CONFIG.:
-------------	---------------

CE PLAN A ETE REALISE EN C.A.O SOUS LE NUMERO : ME.PLS.A14K.S.101SA.B (DRAFT D8)  
TOUTE MODIFICATION DOIT ETRE EFFECTUEE PAR L'INTERMEDIAIRE DU SYSTEME CATIA

PROTECTION	-	ETAT DE SURFACE	ASN 003.06	MARQUAGE	ASN 003.08	ELIMENT	CRITIQUE
TOLERANCES GENERALES DE FABRICATION	ASN 211.00 (non ralis) / ASN 211.05 (larg) (see)	MICRONS SAUF	<input checked="" type="checkbox"/>	INDICATIONS CONTRAIRES			

VISAS DES SERVICES D'ETAT

CE DESSIN EST LA PROPRIETE DE Alcatel ET NE PEUT ETRE REPRODUIT OU COMMUNIQUE SANS SON AUTORISATION.

DES	MARTIN.DE	28/05/03	TITRE	PLANCK
VERIF	MARCHAND.B	28/05/03		0.1 K PIPING INTERFACE
CALCUL	LE	-		
VISA	CLAVEL.P	28/05/03		

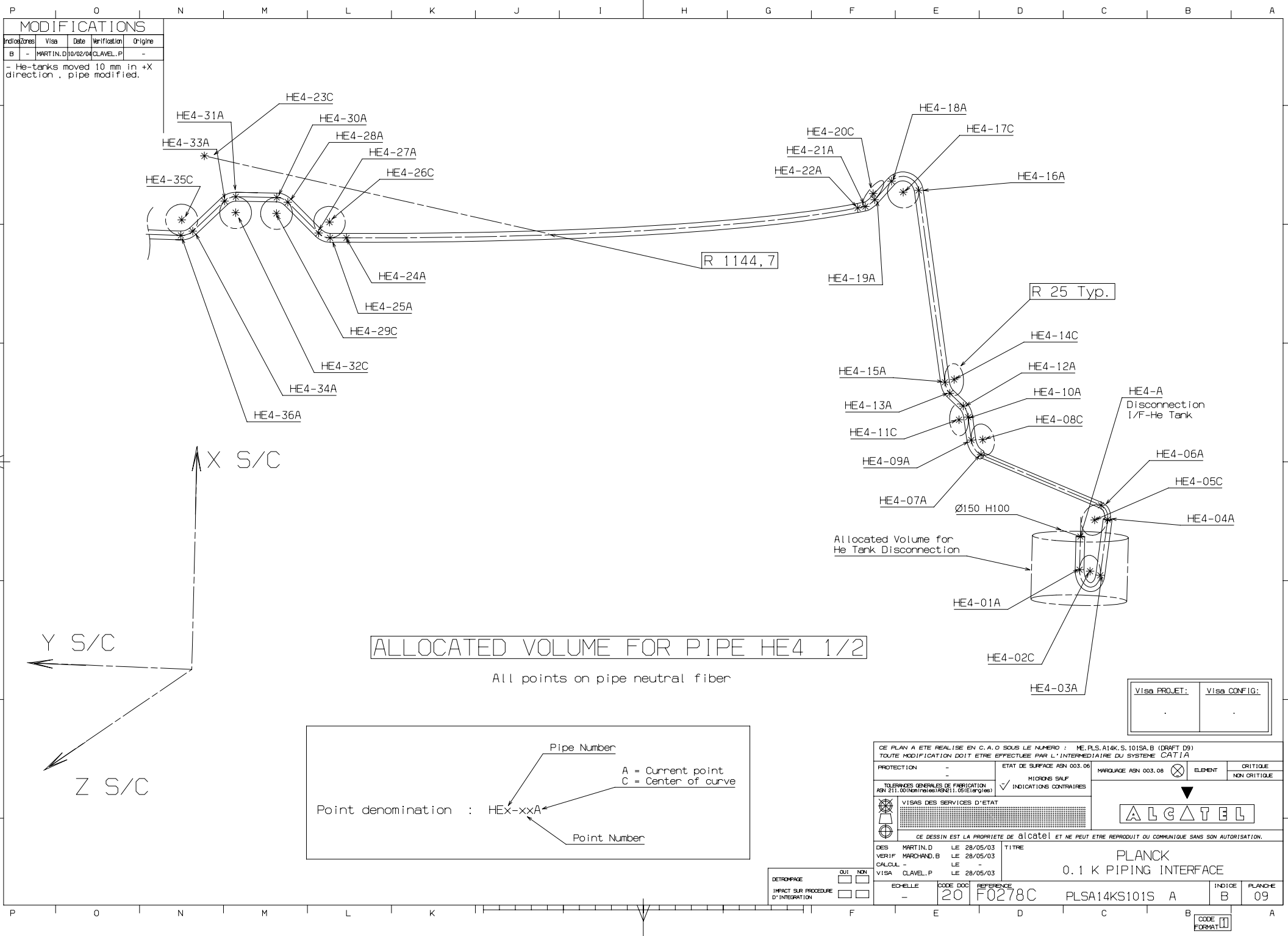
DETROMPAGE: SUI NON

IMPACT SUR PROCEDURE D'INTEGRATION:

ECHELLE	CODE DOC	REFERENCE	INDICE	PLANCHE
-	20	F0278C	B	08

CODE FORMAT:

c111290 FRAME 1 MARCH 4, 2004 08.09.52



MODIFICATIONS				
Indice/Zones	Visa	Date	Verification	Origine
B	MARTIN.D	10/02/04	CLAVEL.P	-

- He-tanks moved 10 mm in +X direction, pipe modified.

ALLOCATED VOLUME FOR PIPE HE4 1/2

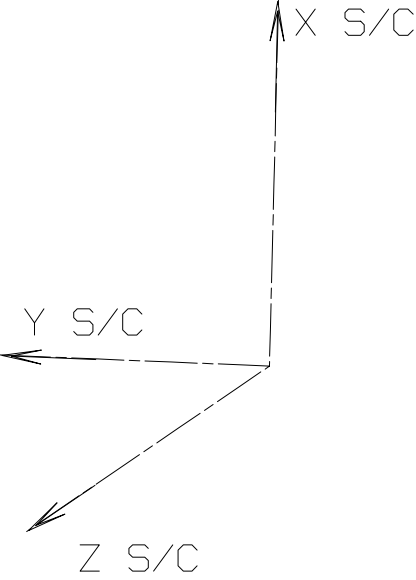
All points on pipe neutral fiber

Point denomination : HEX-xxA

Pipe Number

Point Number

A = Current point  
C = Center of curve



CE PLAN A ETE REALISE EN C.A.O SOUS LE NUMERO : ME.PLS.A14K.S.101SA.B (DRAFT D9)				TOUTE MODIFICATION DOIT ETRE EFFECTUEE PAR L'INTERMEDIAIRE DU SYSTEME CATIA	
PROTECTION	-	ETAT DE SURFACE	ASN 003.06	MARQUAGE	ASN 003.08
TOLERANCES GENERALES DE FABRICATION	ASN 211.001 (mm) (mm) (mm) (mm) (mm) (mm)	MICRONS SAUF	INDICATIONS CONTRAIRES	ELÉMENT	CRITIQUE
VISAS DES SERVICES D'ETAT				NON CRITIQUE	
CE DESSIN EST LA PROPRIETE DE Alcatel ET NE PEUT ETRE REPRODUIT OU COMMUNIQUE SANS SON AUTORISATION.					
DES	MARTIN.D	LE	28/05/03	TITRE	PLANCK
VERIF	MARCHANT.B	LE	28/05/03		0.1 K PIPING INTERFACE
CALCUL	-	LE	-		
VISA	CLAVEL.P	LE	28/05/03		
ÉCHELLE	-	CODE DOC	20 F0278C	INDICE	B
IMPACT SUR PROCEDURE D'INTEGRATION	SUI	NON		PLANCHE	09

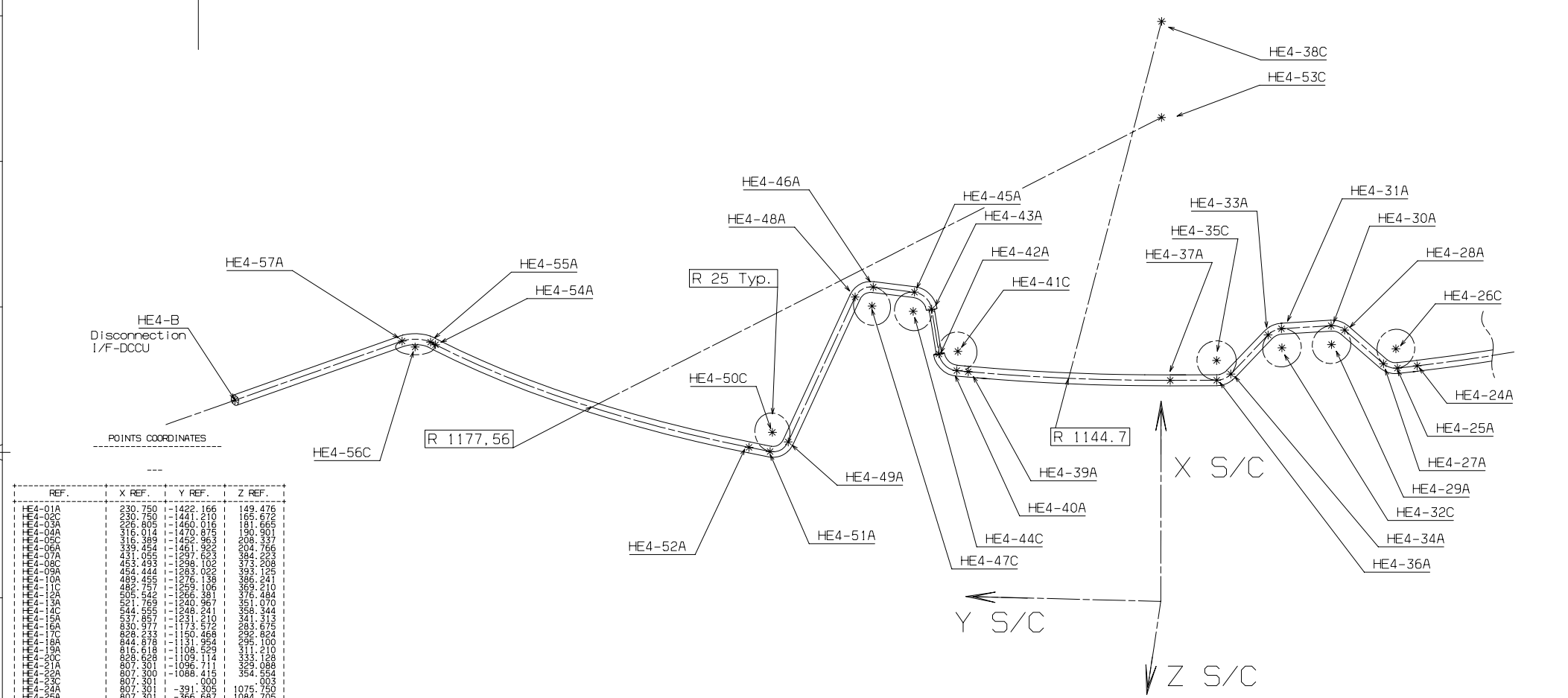
CODE FORMAT

# ALLOCATED VOLUME FOR PIPE HE4 2/2

## MODIFICATIONS

Indic./Zones	Visa	Date	Vérification	Origine
B	MARTIN.D	10/02/04	CLAVEL.P	-

- He-tanks moved 10 mm in +X direction, pipe modified.



POINTS COORDINATES

REF.	X REF.	Y REF.	Z REF.
HE4-01A	230,750	-1422,166	149,476
HE4-02C	230,750	-1441,210	165,672
HE4-03A	226,805	-1460,016	181,665
HE4-04A	316,016	-1470,876	190,901
HE4-05C	316,389	-1452,963	208,337
HE4-06A	339,454	-1461,922	204,766
HE4-07A	431,055	-1297,627	384,223
HE4-08C	453,493	-1299,102	373,208
HE4-09A	454,444	-1263,029	393,125
HE4-10A	489,455	-1276,131	366,241
HE4-11C	482,757	-1259,106	369,210
HE4-12A	505,542	-1266,381	376,484
HE4-13A	521,759	-1240,957	351,070
HE4-14C	544,555	-1248,241	358,344
HE4-15A	537,857	-1231,210	341,312
HE4-16A	630,977	-1173,577	283,675
HE4-17C	628,233	-1150,466	292,824
HE4-18A	844,878	-1131,954	295,100
HE4-19A	916,618	-1108,529	311,210
HE4-20C	828,628	-1109,114	333,128
HE4-21A	807,301	-1096,711	329,088
HE4-22A	807,301	-1088,416	354,554
HE4-23C	807,301	-1088,000	003
HE4-24A	807,301	-391,305	1075,750
HE4-25A	807,301	-366,687	1084,705
HE4-26C	831,193	-364,171	1077,788
HE4-27A	814,477	-348,993	1088,523
HE4-28A	861,362	-299,448	1091,481
HE4-29C	843,681	-283,120	1098,246
HE4-30A	868,386	-292,300	1094,500
HE4-31A	868,386	-219,655	1108,197
HE4-32C	843,681	-220,643	112,718
HE4-33A	861,455	-202,941	113,449
HE4-34A	814,088	-156,531	132,436
HE4-36A	807,301	-138,774	137,811
HE4-36C	830,920	-138,068	129,069
HE4-37A	807,301	-79,629	111,332
HE4-38C	807,298	-006	006
HE4-39A	807,301	179,239	1130,521
HE4-40A	807,301	179,239	1130,521
HE4-41C	831,526	193,016	122,151
HE4-42A	826,272	217,330	119,652
HE4-43A	881,388	303,772	1083,795
HE4-44C	875,651	251,537	1099,369
HE4-45A	899,986	250,183	1093,900
HE4-46A	899,986	303,772	1083,795
HE4-47C	875,446	304,904	1085,409
HE4-48A	884,089	327,015	1077,572
HE4-49A	690,007	410,363	1100,233
HE4-50C	697,703	431,841	1088,897
HE4-51A	673,572	434,409	1094,907
HE4-52A	681,592	461,903	1083,181
HE4-53C	673,572	880,001	-002
HE4-54A	673,572	880,001	78,544
HE4-55A	687,670	887,670	73,812
HE4-56C	673,553	906,370	790,405
HE4-57A	673,534	924,049	772,725
HE4-B	282,750	-145,166	149,476
HE4-B	673,500	-1125,573	974,252

All points on pipe neutral fiber

Allocated Volume for Pipe HE4 =  $\varnothing$  14 mm except  
 $\varnothing$  9 between HE4-04A & HE4-07A  
 $\varnothing$  7 between HE4-42A & HE4-43A

Visa PROJET:	Visa CONFIG:
--------------	--------------

CE PLAN A ETE REALISE EN C.A.O SOUS LE NUMERO : HE\_PLS.A14K.S.101SA.B (DRAFT D10)  
TOUTE MODIFICATION DOIT ETRE EFFECTUEE PAR L'INTERMEDIAIRE DU SYSTEME CATIA

PROTECTION	-	ETAT DE SURFACE ASN 003.06	MARQUAGE ASN 003.08	<input checked="" type="checkbox"/> ELEMENT	CRITIQUE
TOLERANCES GENERALES DE FABRICATION	ASN 211.00(Nm) et ASN 211.05(Elonges)	MICRONS SAUF	<input checked="" type="checkbox"/> INDICATIONS CONTRAIRES		

VISAS DES SERVICES D'ETAT

CE DESSIN EST LA PROPRIETE DE Alcatel et NE PEUT ETRE REPRODUIT OU COMMUNIQUE SANS SON AUTORISATION.

DES: MARTIN.D LE 28/05/03 TITRE: PLANCK  
VERIF: MARCHAND.B LE 28/05/03  
CALCUL: LE  
VISA: CLAVEL.P LE 28/05/03

0.1 K PIPING INTERFACE

DETRAMPAGE	<input type="checkbox"/> OUI	<input type="checkbox"/> NON
IMPACT SUR PROCEDURE D'INTEGRATION	<input type="checkbox"/> OUI	<input type="checkbox"/> NON

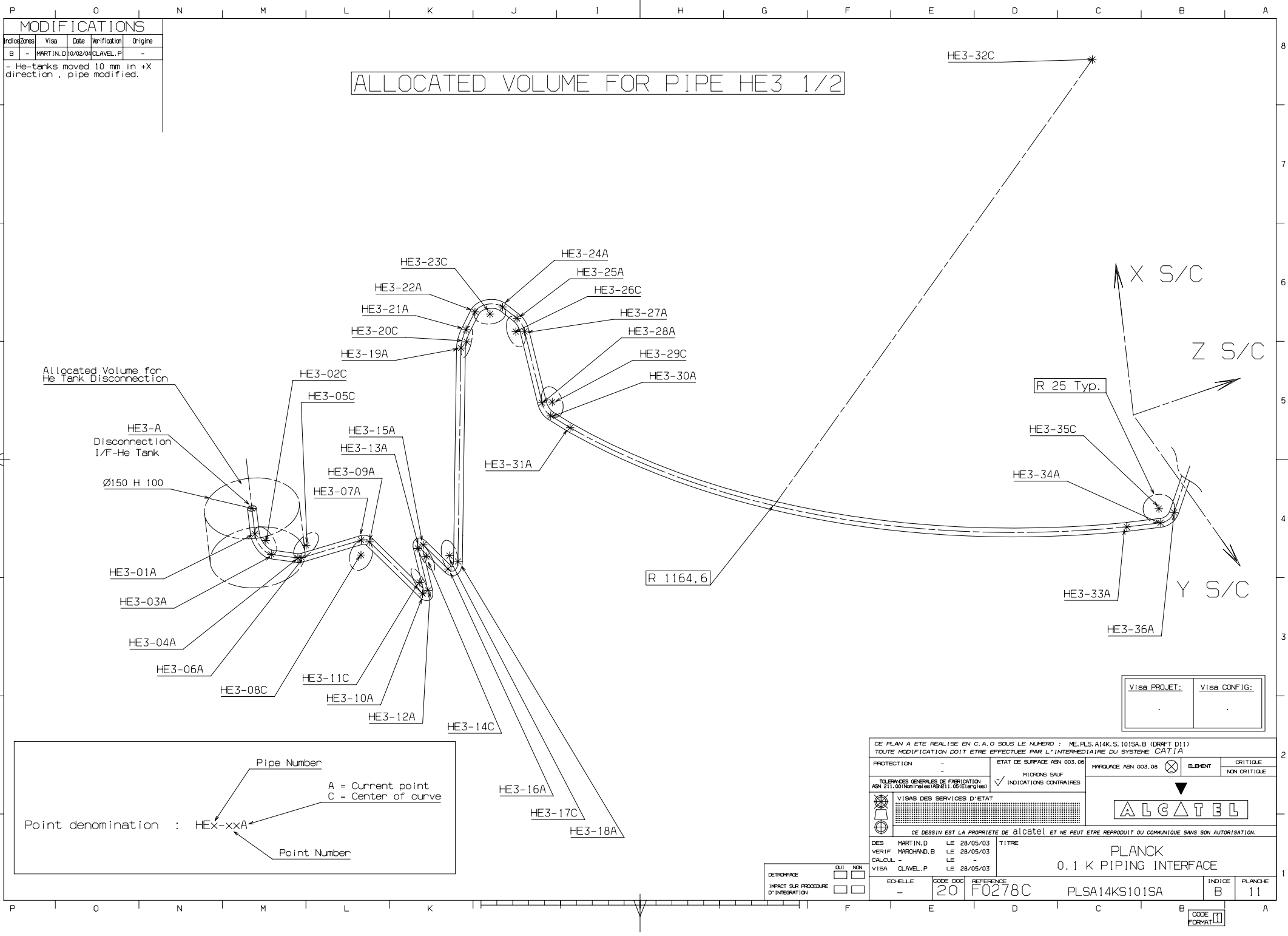
ECHELLE	CODE DOC	REFERENCE	INDICE	PLANCHE
-	20	F0278C	B	10

PLSA14KS101S A

CODE FORMAT

c111290 FRAME 1 FEBRUARY 11, 2004 16.16.46

c111290 FRAME 1 MARCH 4, 2004 08.15.14



MODIFICATIONS				
Indice/Zones	Visa	Date	Verification	Origine
B	-	MARTIN.D 10/02/04	CLAVEL.P	-

- He-tanks moved 10 mm in +X direction, pipe modified.

ALLOCATED VOLUME FOR PIPE HE3 1/2

Allocated Volume for He Tank Disconnection

HE3-A Disconnection I/F-He Tank

Ø150 H 100

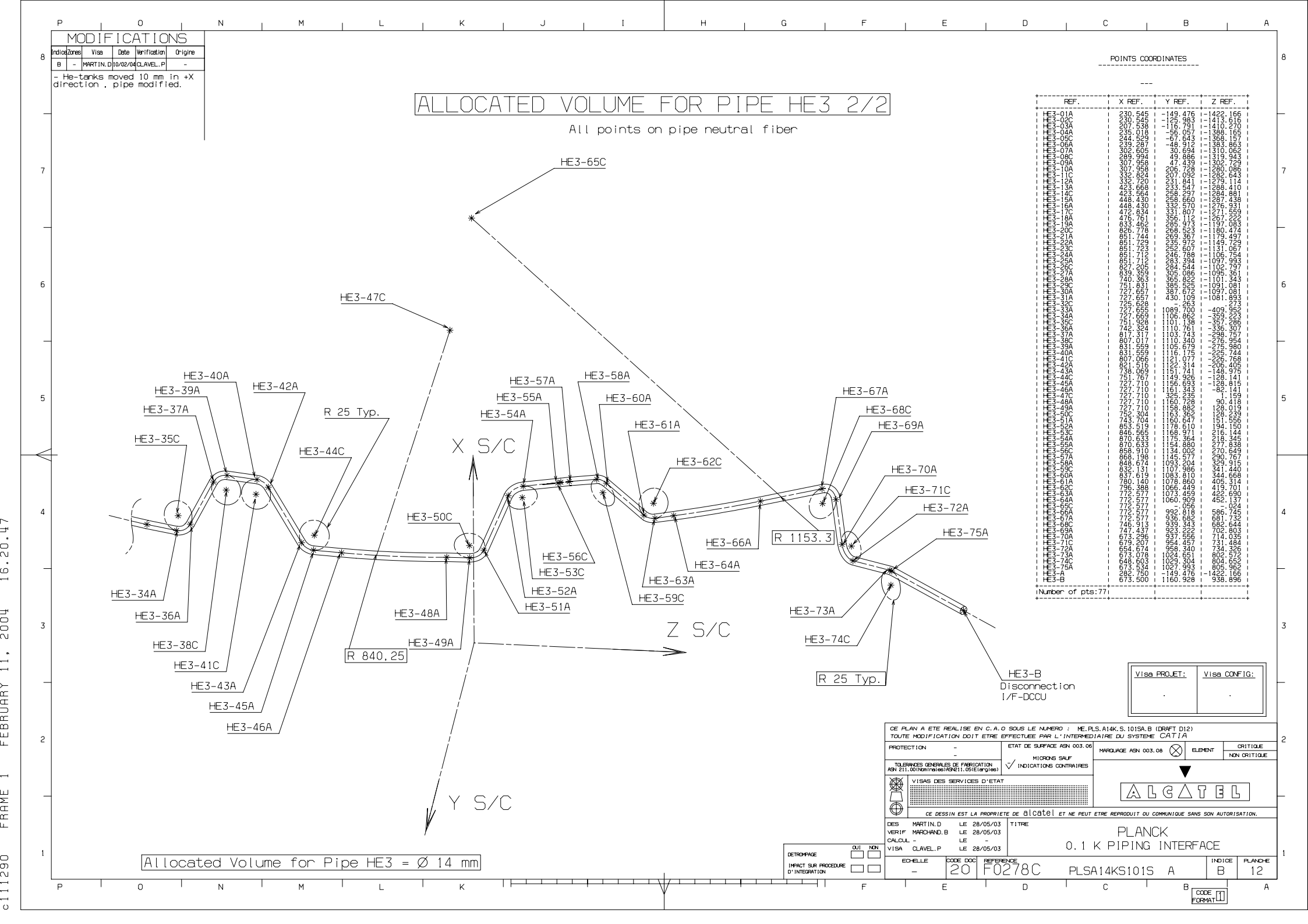
Pipe Number  
A = Current point  
C = Center of curve

Point denomination : HEx-xxA

Point Number

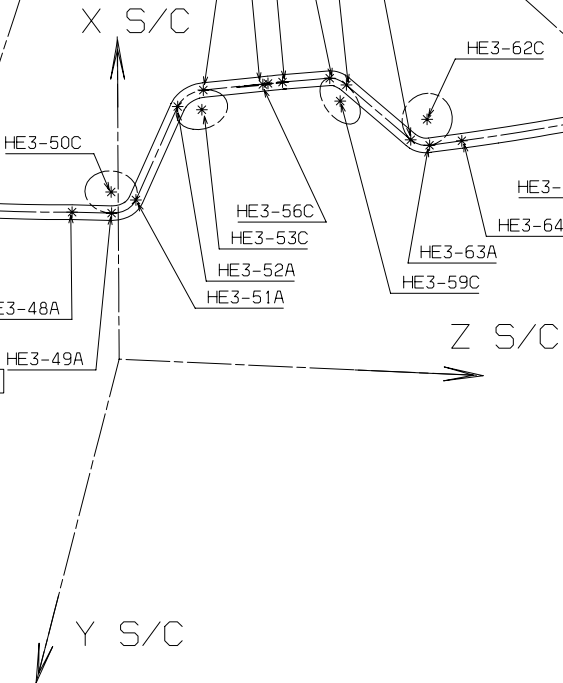
CE PLAN A ETE REALISE EN C.A.O SOUS LE NUMERO : ME,PLS.A14K.S.101SA.B (DRAFT D11)		TOUTE MODIFICATION DOIT ETRE EFFECTUEE PAR L'INTERMEDIAIRE DU SYSTEME CATIA	
PROTECTION	-	ETAT DE SURFACE ASN 003.06	MARQUAGE ASN 003.08 <input checked="" type="checkbox"/> ELEMENT
TOLERANCES GENERALES DE FABRICATION	ASN 211.001mm (sauf) / ASN 211.05 (le reste)	MICRONS SAUF	INDICATIONS CONTRAIRES
<input checked="" type="checkbox"/> VISAS DES SERVICES D'ETAT <input checked="" type="checkbox"/> IMPACT SUR PROCEDURE D'INTEGRATION		<input type="checkbox"/> CRITIQUE <input type="checkbox"/> NON CRITIQUE	
CE DESSIN EST LA PROPRIETE DE Alcatel ET NE PEUT ETRE REPRODUIT OU COMMUNIQUE SANS SON AUTORISATION.			
DES	MARTIN.D	LE 28/05/03	TITRE
VERIF	MARCHANT.B	LE 28/05/03	PLANCK
CALCUL	-	LE -	0.1 K PIPING INTERFACE
VISA	CLAVEL.P	LE 28/05/03	
ECHELLE	CODE DOC	REFERENCE	INDICE
-	20	F0278C	B
		PLSA14KS101SA	PLANCHE
			11

CODE FORMAT



# ALLOCATED VOLUME FOR PIPE HE3 2/2

All points on pipe neutral fiber



## POINTS COORDINATES

REF.	X REF.	Y REF.	Z REF.
HE3-01A	230.545	-149.476	-422.166
HE3-02A	230.545	-126.983	-413.613
HE3-03A	207.538	-116.791	-410.270
HE3-04A	235.018	-96.057	-388.165
HE3-05C	67.643	-67.529	-358.157
HE3-06A	239.287	-46.912	-363.863
HE3-07A	308.605	30.694	-310.062
HE3-08C	49.866	49.866	-319.943
HE3-09A	307.958	47.439	-302.729
HE3-10A	307.958	206.728	-280.086
HE3-11C	332.824	126.092	-282.643
HE3-12A	332.720	231.841	-279.114
HE3-13A	423.668	233.547	-288.410
HE3-14C	423.668	256.297	-294.881
HE3-15A	448.430	258.660	-287.436
HE3-16A	448.430	332.570	-276.931
HE3-17C	472.834	331.807	-271.569
HE3-18A	476.761	356.112	-267.222
HE3-19A	832.462	286.973	-197.083
HE3-20C	826.778	286.523	-180.474
HE3-21A	851.744	263.367	-179.497
HE3-22A	851.729	235.972	-149.729
HE3-23C	851.723	232.607	-131.067
HE3-24A	851.712	246.788	-106.754
HE3-25A	851.712	283.394	-109.993
HE3-26C	827.205	284.544	-102.797
HE3-27A	839.369	305.086	-109.361
HE3-28A	740.363	365.852	-101.343
HE3-29C	751.831	385.592	-109.081
HE3-30A	727.657	387.672	-107.081
HE3-31A	727.657	430.109	-108.893
HE3-32C	729.628	220.273	-273.001
HE3-33A	727.655	1089.700	-409.952
HE3-34A	727.669	1106.862	-359.223
HE3-35C	751.928	1101.138	-357.286
HE3-36A	742.324	1110.761	-336.307
HE3-37A	817.317	1103.743	-298.757
HE3-38C	807.017	1110.300	-276.954
HE3-39A	831.569	1105.679	-275.980
HE3-40A	831.659	1116.175	-225.744
HE3-41C	807.068	1211.077	-226.768
HE3-42A	821.516	1223.314	-206.405
HE3-43A	738.069	1151.741	-148.975
HE3-44C	751.767	149.946	-128.141
HE3-45A	727.710	156.693	-128.815
HE3-46A	727.710	151.343	-82.141
HE3-47C	727.710	329.236	-1.169
HE3-48A	727.710	1160.728	90.418
HE3-49A	727.710	1198.882	128.019
HE3-50C	846.304	1163.362	128.239
HE3-51A	743.704	1160.647	151.566
HE3-52A	853.519	1178.610	194.150
HE3-53C	846.304	1169.971	116.144
HE3-54A	870.633	1175.364	218.345
HE3-55A	870.633	1154.880	270.838
HE3-56A	866.910	134.092	279.921
HE3-57A	868.198	145.577	290.767
HE3-58A	846.674	1037.984	419.901
HE3-59A	857.341	1083.810	341.440
HE3-60A	837.619	1083.810	344.668
HE3-61A	786.140	1078.860	406.314
HE3-62C	796.988	1096.476	413.101
HE3-63A	712.577	1073.459	422.690
HE3-64A	712.577	1060.909	452.024
HE3-65A	712.577	096.096	506.745
HE3-66A	712.577	992.818	506.745
HE3-67C	746.977	936.682	676.582
HE3-68C	746.913	939.443	682.644
HE3-69A	747.437	923.222	702.803
HE3-70A	673.956	637.556	714.035
HE3-71C	673.207	954.457	731.484
HE3-72A	654.674	958.340	734.326
HE3-73A	673.578	1024.651	734.035
HE3-74C	448.603	1025.204	804.655
HE3-75A	673.534	1027.993	805.962
HE3-A	230.545	-149.476	-422.166
HE3-B	673.500	1160.928	938.896

(Number of pts:77)

Indic	Zones	Visa	Date	Verification	Origine
B	-	MARTIN.D	10/02/04	CLAVEL.P	-

- He-tanks moved 10 mm in +X direction, pipe modified.

Visa PROJCT:	Visa CONFIG:
--------------	--------------

CE PLAN A ETE REALISE EN C.A.O SOUS LE NUMERO : HE\_PLS.A14K.S.101SA.B (DRAFT D12)  
 TOUTE MODIFICATION DOIT ETRE EFFECTUEE PAR L'INTERMEDIAIRE DU SYSTEME CATIA

PROTECTION	-	ETAT DE SURFACE ASN 003.06	MARQUAGE ASN 003.08	<input checked="" type="checkbox"/> ELEMENT	CRITIQUE
					NON CRITIQUE

TOLERANCES GENERALES DE FABRICATION  
 ASN 211.00 (mm) / ASN 211.05 (Elongues)

<input checked="" type="checkbox"/> VISAS DES SERVICES D'ETAT <input type="checkbox"/> VERIF <input type="checkbox"/> CALCUL	ALGATEL DE Dessin est la propriété de Alcatel et ne peut être reproduit ou communiqué sans son autorisation.
--	---

DES: MARTIN.D	LE: 28/05/03	TITRE:
VERIF: MARCHAND.B	LE: 28/05/03	PLANK
CALCUL: -		0.1 K PIPING INTERFACE
VISA: CLAVEL.P	LE: 28/05/03	

DETACHEMENT	<input type="checkbox"/> OUI	<input type="checkbox"/> NON
IMPACT SUR PROCEDURE D'INTEGRATION	<input type="checkbox"/> OUI	<input type="checkbox"/> NON

ECHILLE	CODE DOC	REFERENCE	INDICE	PLANCHE
-	20	F0278C	B	12

Allocated Volume for Pipe HE3 = Ø 14 mm

MODIFICATIONS

Indic./Zones	Visa	Date	Verification	Origine
B	MARTIN.D	10/02/04	CLAVEL.P	-

- He-tanks moved 10 mm in +X direction, pipe modified.

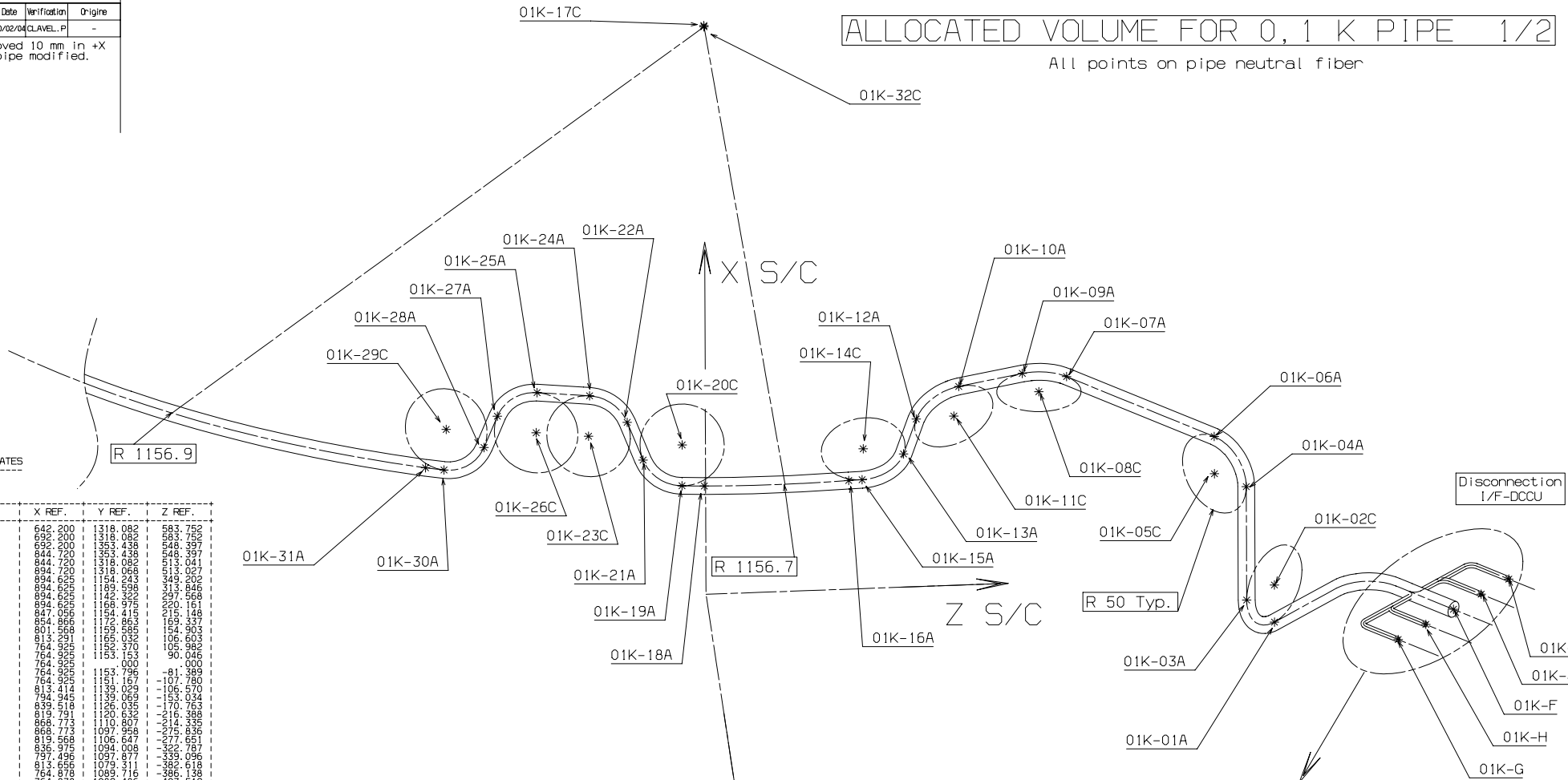
POINTS COORDINATES

REF.	X REF.	Y REF.	Z REF.
01K-01A	642,200	1318,082	583,752
01K-02C	692,200	318,069	548,397
01K-03A	692,200	353,438	548,397
01K-04A	844,720	353,438	548,397
01K-05C	844,720	318,069	513,027
01K-06A	894,720	318,069	513,027
01K-07A	894,625	154,243	349,202
01K-08C	894,625	189,590	313,851
01K-09A	894,625	142,322	297,568
01K-10A	894,625	168,979	220,161
01K-11C	847,053	154,243	215,148
01K-12A	854,866	172,863	169,337
01K-13A	801,568	159,589	154,903
01K-14C	813,291	159,589	106,603
01K-15A	764,925	152,370	105,982
01K-16A	764,925	153,153	90,046
01K-17C	764,925	153,153	0,000
01K-18A	764,925	153,795	-81,389
01K-19A	764,925	151,167	-107,780
01K-20C	813,412	139,029	-106,570
01K-21A	794,945	139,069	-153,034
01K-22A	839,518	126,039	-170,763
01K-23C	819,791	123,529	-216,388
01K-24A	868,773	110,807	-214,335
01K-25A	868,773	109,759	-275,836
01K-26C	819,791	110,807	-277,618
01K-27A	836,975	1094,008	-322,787
01K-28A	797,495	1097,877	-333,096
01K-29C	813,653	1079,311	-389,519
01K-30A	764,878	1089,716	-386,138
01K-31A	764,878	1082,489	-407,512
01K-32C	763,111	427,551	-1074,744
01K-33A	764,870	402,138	-1083,839
01K-34A	814,198	404,351	-1091,531
01K-35A	794,815	360,519	-1104,001
01K-37A	858,972	331,844	-120,362
01K-38A	840,663	293,794	-130,392
01K-39A	889,579	294,354	-140,461
01K-40A	889,579	245,902	-151,819
01K-41C	840,483	244,702	-142,819
01K-42A	854,263	198,648	-156,368
01K-43A	799,490	180,323	-149,899
01K-44C	814,481	180,107	-156,519
01K-45A	765,038	132,411	-149,277
01K-46A	764,925	109,000	-151,480
01K-47C	764,925	109,000	0,000
01K-48A	765,038	-149,191	-146,980
01K-49A	764,925	-184,480	-142,399
01K-50A	814,589	-185,200	-148,399
01K-51A	784,112	-223,907	-139,829
01K-52C	817,981	-223,907	-141,488
01K-53C	808,769	-503,945	-124,488
01K-54A	857,500	-306,749	-135,806
01K-55A	857,500	-354,593	-135,806
01K-56C	808,939	-357,593	-134,424
01K-57A	853,407	-374,291	-119,365
01K-58A	826,741	-415,593	-104,020
01K-59C	871,211	-453,221	-1094,029
01K-60A	872,265	-501,551	-1081,656
01K-61A	947,200	-519,521	-1054,180
01K-A	1056,500	-366,200	-1057,180
01K-B	1008,500	-390,200	-1054,180
01K-D	1008,500	-342,200	-1054,180
01K-E	980,500	-342,200	-1054,180
01K-L	642,200	1373,060	726,764
01K-L1	642,200	1337,705	762,120
01K-L2	642,200	1266,535	832,834
01K-K	642,200	1231,639	868,186

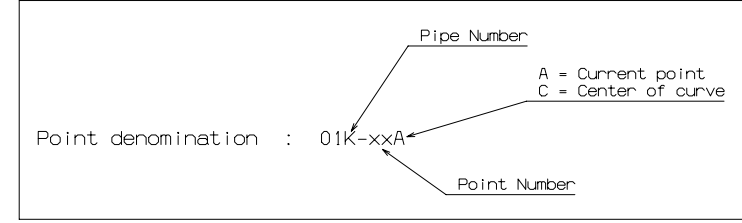
Number of pts:71

ALLOCATED VOLUME FOR 0,1 K PIPE 1/2

All points on pipe neutral fiber



Allocated Volume for Pipe 01K = Ø 20 mm except Ø 15 between 01K-60A & 01K-61A



ALLOCATED VOLUME FOR PIPE CONNECTION ON DCCU SIDE SEE SHEET 15

Visa PROJET:	Visa CONFIG:
--------------	--------------

CE PLAN A ETE REALISE EN C.A.O SOUS LE NUMERO : HE.PLS.A14K.S.101SA.B (DRAFT D13)  
 TOUTE MODIFICATION DOIT ETRE EFFECTUEE PAR L'INTERMEDIAIRE DU SYSTEME CATIA

PROTECTION	-	ETAT DE SURFACE ASN 003.06	MARQUAGE ASN 003.06	<input checked="" type="checkbox"/> ELEMENT	CRITIQUE
VERIF	MARCHAND, B	LE 28/05/03	MICROUS SAUF	<input type="checkbox"/> NON CRITIQUE	

TOLERANCES GENERALES DE FABRICATION  
 ASN 211.00(Nom) et ASN 211.05(Energie)

ALGATEL

CE DESSIN EST LA PROPRIETE DE algate! ET NE PEUT ETRE REPRODUIT OU COMMUNIQUE SANS SON AUTORISATION.

DES	MARTIN, D	LE 28/05/03	TITRE	PLANCK
CALCUL	-	LE 28/05/03	INDEXE	B
VISA	CLAVEL, P	LE 28/05/03	PLANCHE	13

ETAT DE SURFACE ASN 003.06

DETRAMPAGE	<input type="checkbox"/> OUI <input type="checkbox"/> NON
IMPACT SUR PROCEDURE D'INTEGRATION	<input type="checkbox"/> OUI <input type="checkbox"/> NON

ETAT DE SURFACE	ASN 003.06
ETAT DE SURFACE	ASN 003.06

ECHELLE: 20 REFERENCE: F0278C

PLSA14KS101S A

CODE FORMAT: [ ]

c111290 FRAME 1 FEBRUARY 11, 2004 16.23.05

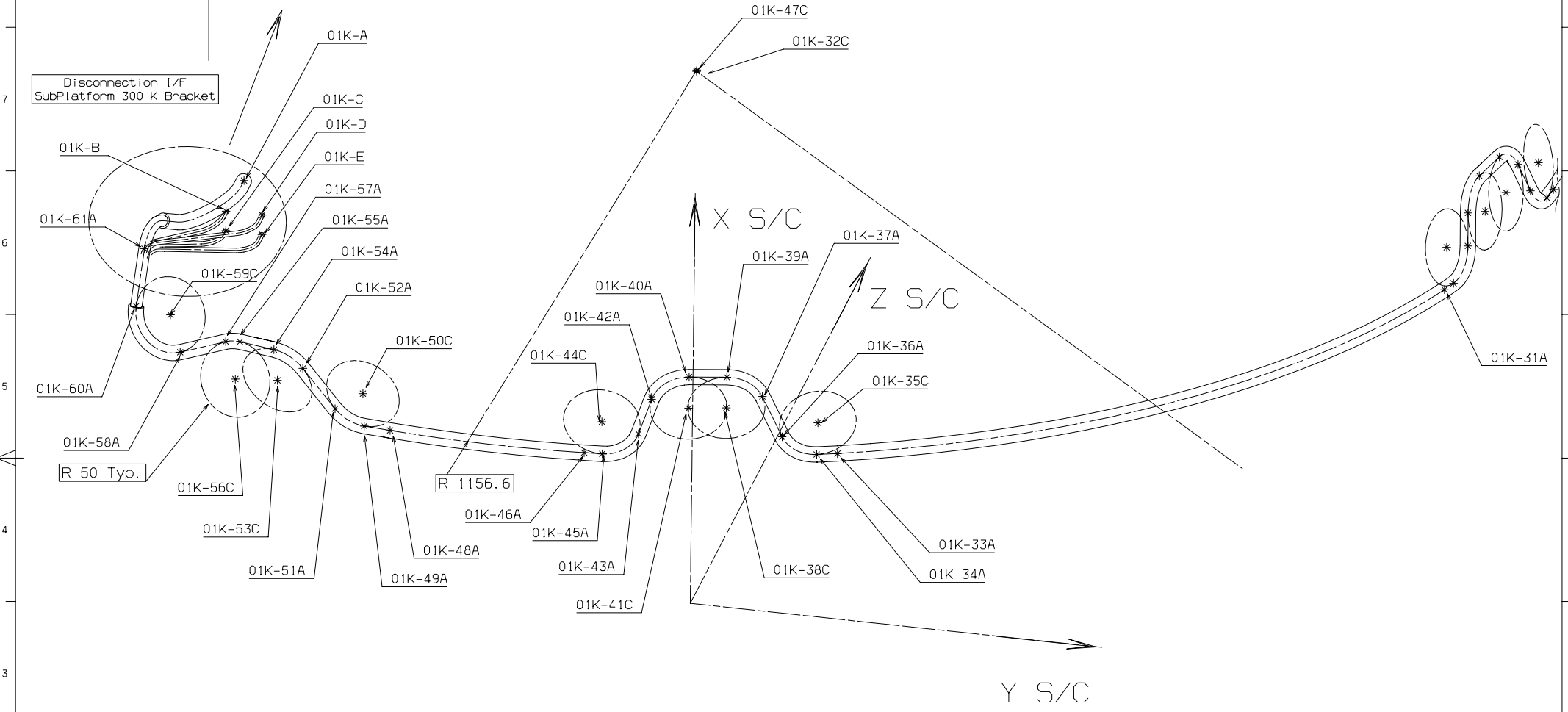
**MODIFICATIONS**

Indic/Zones	Visa	Date	Vérification	Origine
B	MARTIN.D	10/02/04	CLAVEL.P	-

- He-tanks moved 10 mm in +X direction , pipe modified.

ALLOCATED VOLUME FOR PIPE CONNECTION ON INSTRUMENT SIDE SEE SHEET 15

ALLOCATED VOLUME FOR PIPE 0.1 K 2/2



Disconnection I/F SubPlatform 300 K Bracket

R 50 Typ.

R 1156.6

Visa PROJET:	Visa CONFIG:
--------------	--------------

CE PLAN A ÉTÉ RÉALISÉ EN C.A.O SOUS LE NUMÉRO : HE.PLS.A14K.S.101SA.B (DRAFT D14)  
TOUTE MODIFICATION DOIT ÊTRE EFFECTUÉE PAR L'INTERMÉDIAIRE DU SYSTÈME CATIA

PROTECTION -	ÉTAT DE SURFACE ASN 003.06	MARQUAGE ASN 003.06	<input checked="" type="checkbox"/> ÉLÉMENT	CRITIQUE
TOLERANCES GÉNÉRALES DE FABRICATION ASN 211.00 (mm) (sauf) ASN 211.05 (Energie)	MICRONS SAUF ✓ INDICATIONS CONTRAIRES			

CE DESSIN EST LA PROPRIÉTÉ DE Alcatel ET NE PEUT ÊTRE REPRODUIT OU COMMUNIQUÉ SANS SON AUTORISATION.

DES MARTIN.D LE 28/05/03	TITRE
VÉRIF MARCHAND.B LE 28/05/03	PLANCK
CALCUL - LE -	0.1 K PIPING INTERFACE
VISA CLAVEL.P LE 28/05/03	

ALCATEL

ÉCHELLE -	CODE DOC 20	REFERENCE F0278C	PLSA14KS101S A	INDICE B	PLANCHE 14
-----------	-------------	------------------	----------------	----------	------------

DETRAMPAGE  OUI  NON  
IMPACT SUR PROCÉDURE D'INTEGRATION  OUI  NON

0111290 FRAME 1 FEBRUARY 11, 2004 16.23.46

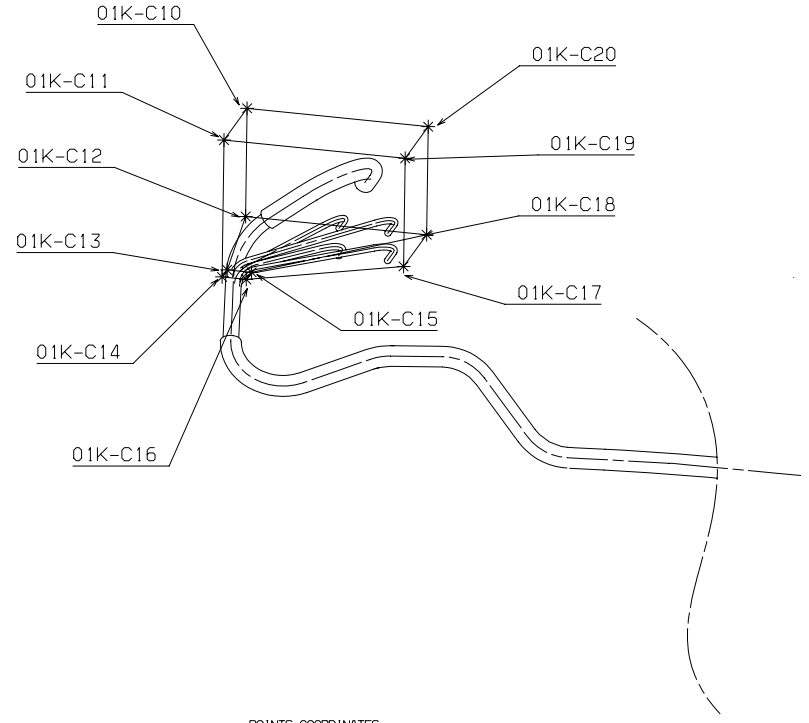
c111290 FRAME 1 FEBRUARY 10, 2004 11.06.19

**MODIFICATIONS**

Indice/Zones	Visa	Date	Verification	Origine
B	-	MARTIN.D	10/02/04	CLAVEL.P

- He-tanks moved 10 mm in +X direction, pipe modified.

**ALLOCATED VOLUME FOR PIPE CONNECTION ON INSTRUMENT SIDE**

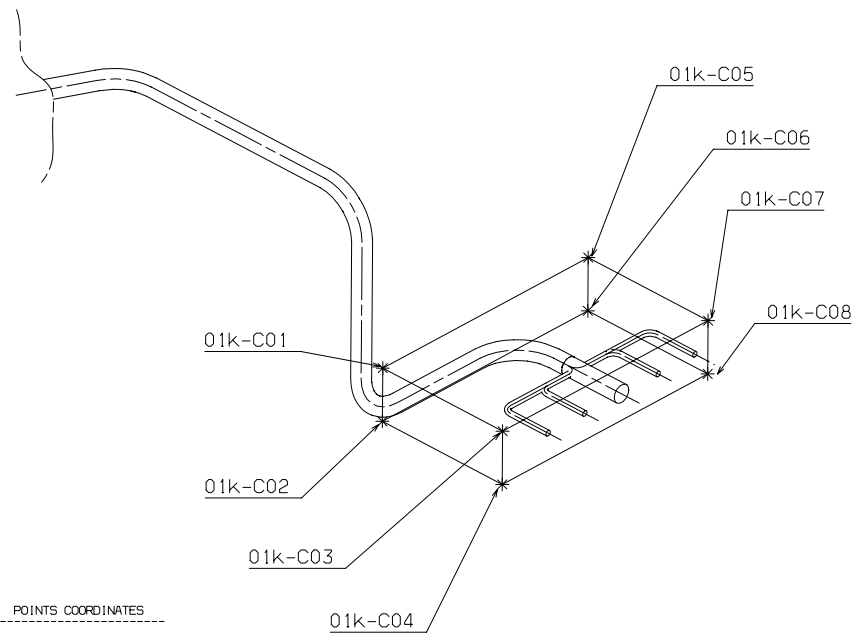


POINTS COORDINATES

REF.	X REF.	Y REF.	Z REF.
01K-C10	1086.500	-503.200	-1144.180
01K-C11	1086.500	-503.200	-1054.180
01K-C12	976.500	-504.200	-1144.180
01K-C13	947.206	-503.200	-1074.180
01K-C14	947.206	-503.200	-1054.180
01K-C15	947.206	-480.324	-1074.180
01K-C16	947.206	-480.324	-1054.180
01K-C17	976.500	-326.200	-1144.180
01K-C18	976.500	-326.200	-1054.180
01K-C19	1086.500	-326.200	-1144.180
01K-C20	1086.500	-326.200	-1054.180

Number of pts:11

**ALLOCATED VOLUME FOR PIPE CONNECTION ON DCCU SIDE**



POINTS COORDINATES

REF.	X REF.	Y REF.	Z REF.
01K-C01	672.200	1303.940	569.610
01K-C02	612.200	1303.940	569.610
01K-C03	672.200	1417.077	682.747
01K-C04	612.200	1417.077	682.747
01K-C05	672.200	1105.950	767.600
01K-C06	612.200	1105.950	767.600
01K-C07	672.200	1219.087	880.737
01K-C08	612.200	1219.087	880.737

Number of pts: 8

Visa PROJET:	Visa CONFIG:
--------------	--------------

CE PLAN A ETE REALISE EN C.A.O SOUS LE NUMERO : ME.PLS.A14K.S.101SA.B (DRAFT D15)  
TOUTE MODIFICATION DOIT ETRE EFFECTUEE PAR L'INTERMEDIAIRE DU SYSTEME CATIA

PROTECTION	-	ETAT DE SURFACE ASN 003.06	-	HARDWARE ASN 003.08	<input checked="" type="checkbox"/> ELEMENT	CRITIQUE	
TOLERANCES GENERALES DE FABRICATION	ASN 211.001mm(mil)(mil)(mil)(mil)(mil)(mil)(mil)	MICRONS SAUF	<input checked="" type="checkbox"/> INDICATIONS CONTRAIRES				NON CRITIQUE

**VISAS DES SERVICES D'ETAT**

CE DESSIN EST LA PROPRIETE DE alcatel ET NE PEUT ETRE REPRODUIT OU COMMUNIQUE SANS SON AUTORISATION.

DES	MARTIN.D	LE	28/05/03	TITRE	PLANCK
VERIF	MARCHANT.B	LE	28/05/03		0.1 K PIPING INTERFACE
CALCUL	-	LE	-		
VISA	CLAVEL.P	LE	28/05/03		

DETROMPAGE	SUI	NON
IMPACT SUR PROCEDURE D'INTEGRATION	<input type="checkbox"/>	<input type="checkbox"/>

ECHELLE	CODE DOC	REFERENCE	INDICE	PLANCHE
-	20	F0278C	B	15

ALCATEL

CODE FORMAT



# PLANCK DRAWING

## CHANGE RECORD

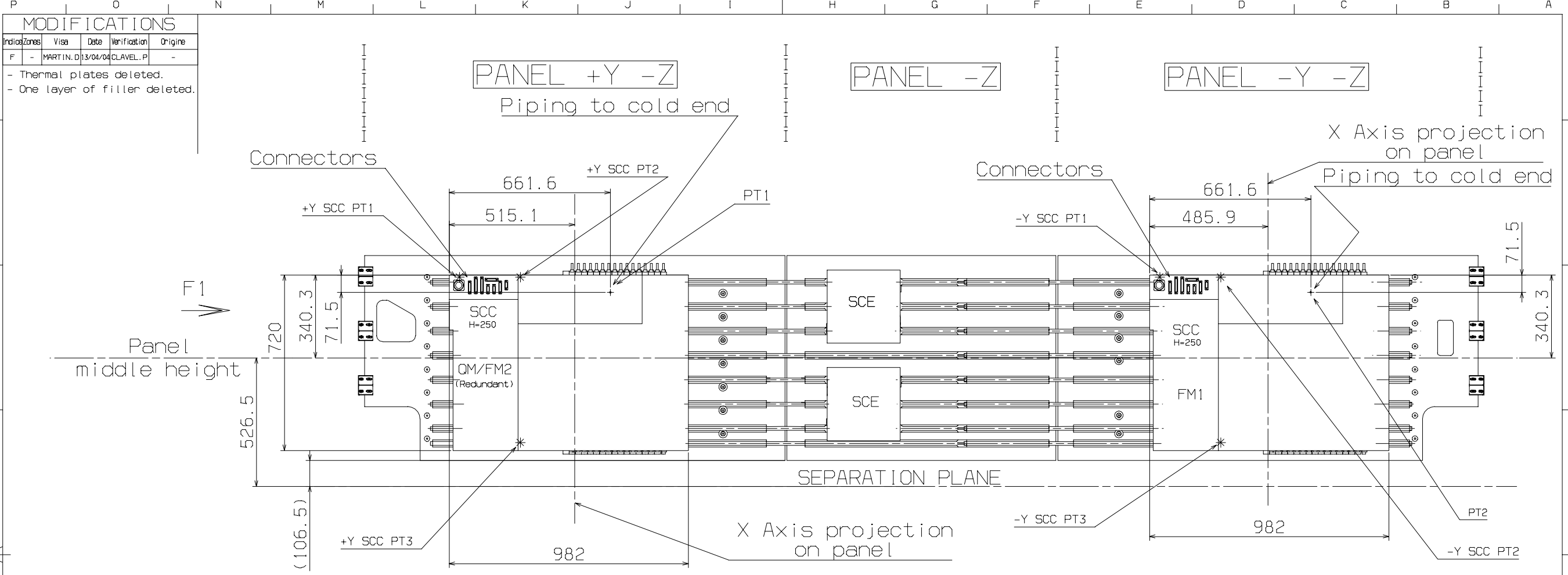
DRAWING TITLE                    SCC ACCOMMODATION & ACCESS                    Date: 13/04/2004

REFERENCE DRAWING            ME.PLS.A11F.S.001SA                    Indice: F

NUMBER OF SHEET            1

Ind	Date	Modifications	Approbation
A	06/03/2002	INITIAL DRAWING	
B	13/06/2002	SCC UPDATED	
C	23/10/2002	DRAFT D2 ADDED (CUT-OUT DEFINITION)	
D	19/03/2003	DRAFT D2 DELETED(CUT-OUT DELETED)	
		SCC DESIGN UPDATED	
E	16/02/2004	HEAT PIPES HEIGHT UPDATED	
		SCC DESIGN UPDATED	
		THERMAL PLATE ADDED	
		VIEW F1 MODIFIED	
F	13/04/2004	THERMAL PLATE DELETED	
		ONE LAYER FILLER DELETED	

c111290 FRAME 1 APRIL 13, 2004 15.37.12

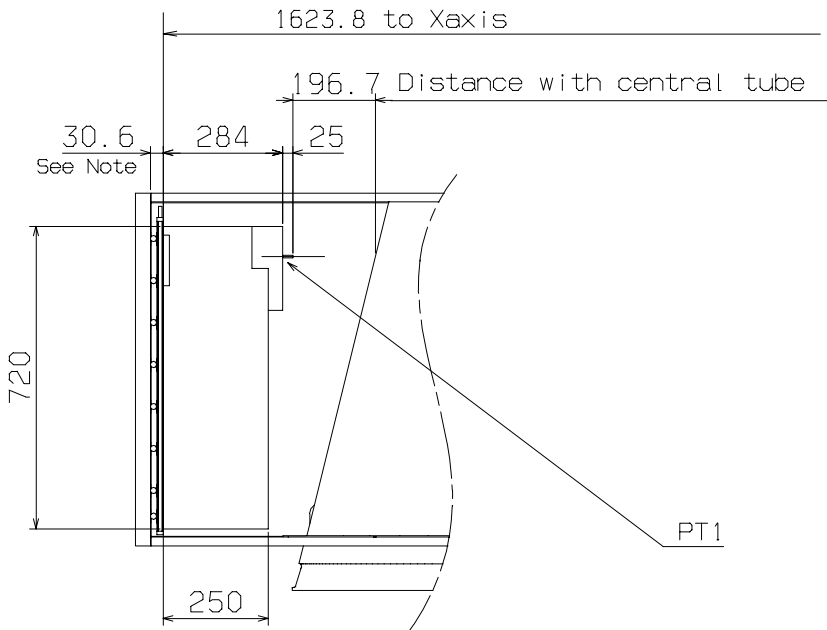


**MODIFICATIONS**

IndiceZones	Visa	Date	Verification	Origine
F	-	MARTIN.D13/04/04	CLAVEL.P	-

- Thermal plates deleted.  
- One layer of filler deleted.

VIEW F1



Ref. points Coordinates

REF.	X REF.	Y REF.	Z REF.
+YPT1	857.800	1484.076	-812.324
+YPT2	857.800	1307.299	-989.101
+YPT3	179.800	1307.299	-989.101
-YPT1	857.800	-837.673	-1459.321
-YPT2	857.800	-1013.850	-1282.550
-YPT3	179.800	-1013.850	-1282.550

SCC dimensions according to JPL drawing :10203010 Rev B  
Except Ref point coordinates

Note : Dimension includes Heat pipes and three layers of Fillers.

Visa PROJET: \_\_\_\_\_  
Visa CONFIG: \_\_\_\_\_

DETROMPAGE  OUI  NON  
IMPACT SUR PROCEDURE D'INTEGRATION  OUI  NON

CE PLAN A ETE REALISE EN C.A.O SOUS LE NUMERO : ME.PLS.A11F.S.0015A.F (DRAFT D1)  
TOUTE MODIFICATION DOIT ETRE EFFECTUEE PAR L'INTERMEDIAIRE DU SYSTEME CATIA

PROTECTION	ETAT DE SURFACE ASN 003.06	MARQUAGE ASN 003.08	ELEMENT	CRITIQUE
TOLERANCES GENERALES DE FABRICATION ASN 211.00(Nom/notes)ASN211.05(Elargies)	MICRONS SAUF ✓ INDICATIONS CONTRAIRES			

VISAS DES SERVICES D'ETAT

CE DESSIN EST LA PROPRIETE DE Alcatel ET NE PEUT ETRE REPRODUIT OU COMMUNIQUE SANS SON AUTORISATION.

DES BOFFELLI S. LE 06/03/02 TITRE  
VERIF CLAVEL PH. LE 06/03/02  
CALCUL - LE -  
VISA CLAVEL PH. LE 06/03/02

PLANCK  
SCC ACCOMMODATION & ACCESS

ECHELLE - CODE DOC 20 REFERENCE F0278C PLSA11FS0015 A INDICE F PLANCHE 1

CODE FORMAT: [ ]

# PLANCK DRAWING

## CHANGE RECORD

DRAWING TITLE            4K ACCOMMODATION AND ACCESS            Date: 23/05/2006

REFERENCE DRAWING    ME.PLS.A140.S.011SA                            Indice: E

NUMBER OF SHEET        2

Ind	Date	Modifications	Approbation
A	17/05/2002	INITIAL DRAWING	
B	19/09/2002	CUT-OUT UPDATED	
C	08/09/2003	4K BRACKET ADDED DUE TO REU RELOCATION NOTA ADDED	
D	03/10/2003	4K CCU COVER SHIELD ADDED BRACKET FIXATION POINTS CHANGED	
E	23/05/2006	TUBING BETWEEN CCU & CAU UPDATED STRUCTURE UPDATED	

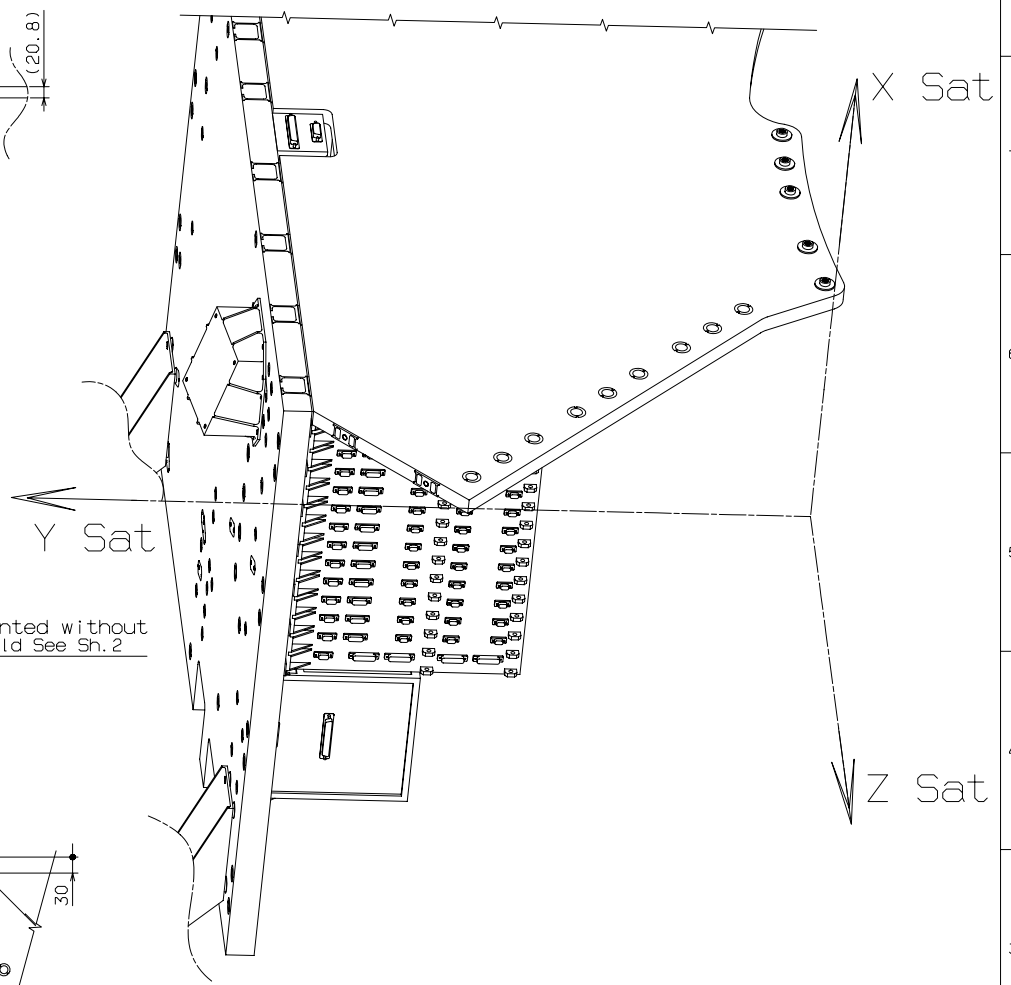
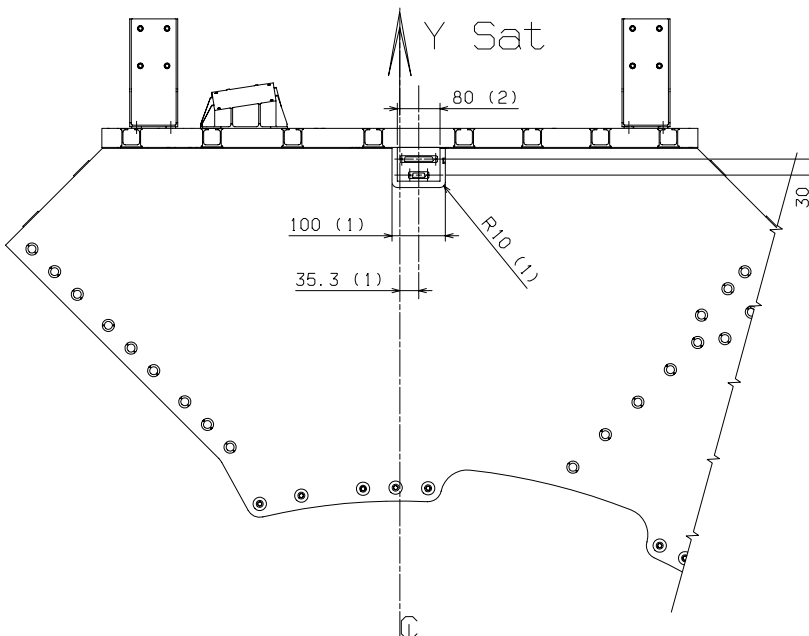
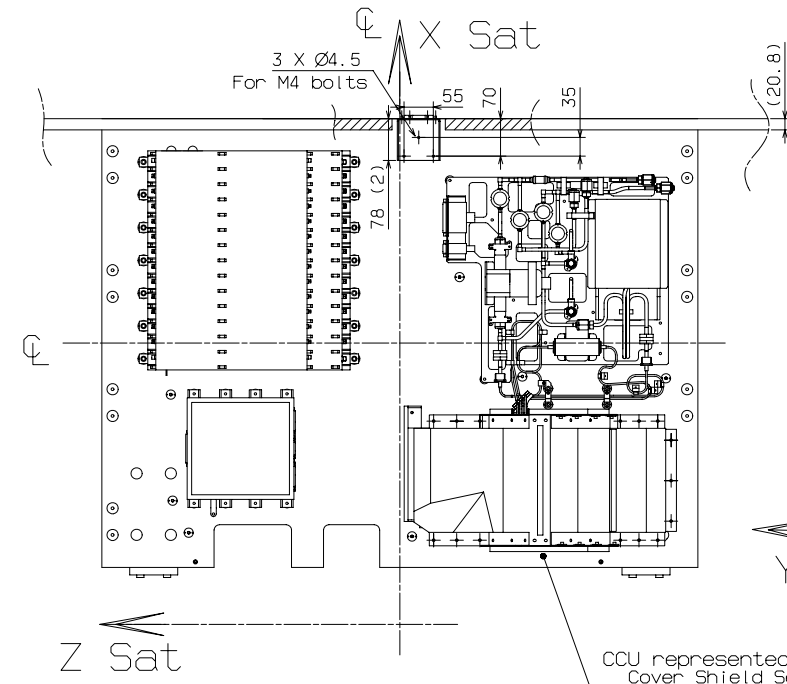
**MODIFICATIONS**

Indice/Zones	Visa	Date	Verification	Origine
D	-	03/10/03	CLAVEL.P	MARTIN.D

- 4K CCU Cover Shield added (See Sheet 2)
- Bracket fixation points changed.

Indice/Zones	Visa	Date	Verification	Origine
E	-	23/05/08	MARCHAND B	MARTIN.D

- Tubing Between CCU & CAU updated.
- Structure updated.



NOTA : (1) Cut-out definition.  
(2) Allocated volume to "Compressor lock plug" bracket.

Visa PROJET:

Visa CONFIG:

DETROMPAGE  OUI  NON

IMPACT SUR PROCEDURE D'INTEGRATION

CE PLAN A ETE REALISE EN C.A.O SOUS LE NUMERO : ME.PLS.A140.S.011SA.E (DRAFT D1)			
TOUTE MODIFICATION DOIT ETRE EFFECTUEE PAR L'INTERMEDIAIRE DU SYSTEME CATIA			
PROTECTION	ETAT DE SURFACE ASN 003.06	CRITIQUE	
TOLERANCES GENERALES DE FABRICATION ASN 211.004 (mm) et 217.0211.05 (E) (angles)	MICRONS SAUF	NON CRITIQUE	
VISA DES SERVICES D'ETAT		INDICATIONS CONTRAIRES	
<b>ALCATEL</b>			
CE DESSIN EST LA PROPRIETE DE alcatel ET NE PEUT ETRE REPRODUIT OU COMMUNIQUE SANS SON AUTORISATION.			
DES TYLINKI S	LE 17/05/02	TITRE	<b>PLANCK</b> <b>4K ACCOMMODATION AND ACCESS</b>
VERIF BOFFELLI S	LE 17/05/02		
CALCUL -	LE -		
VISA CLAVEL PH	LE 17/05/02		
E-CHELLE 1/5		CODE DOC 20	
		PLS A140 S 011SA	INDICE E
			PLANCHE 01

**MODIFICATIONS**

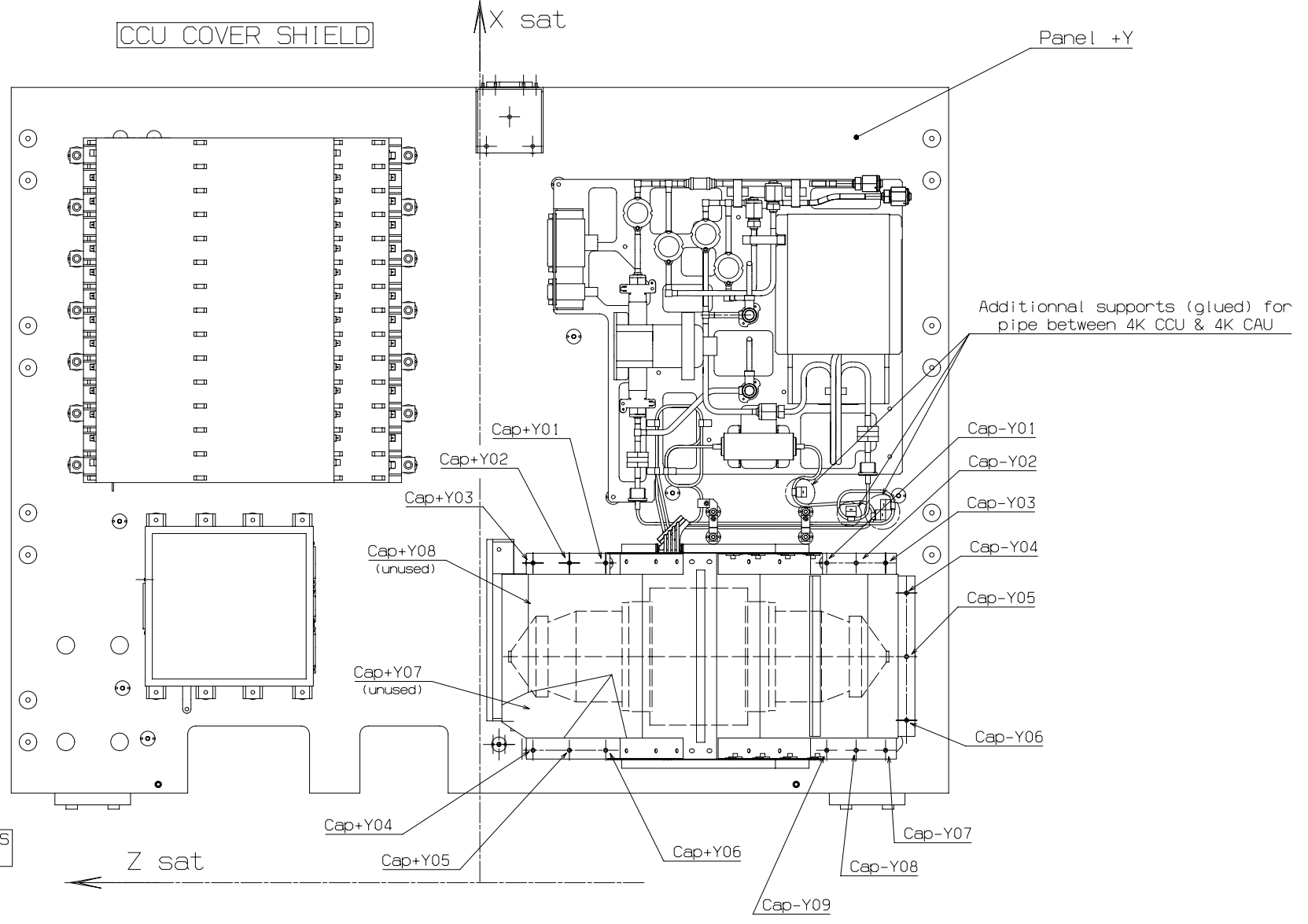
IndicZones	Visa	Date	Verification	Origine
D	-	03/10/03	CLAVEL.P	MARTIN.D

- 4K CCU Cover Shield added (See Sheet 2)
- Bracket fixation points changed.

IndicZones	Visa	Date	Verification	Origine
E	-	23/05/08	MARCHAND B	MARTIN.D

- Tubing Between CCU & CAU updated.
- Structure updated.

CCU COVER SHIELD



CCU COVER SHIELD FIXATION POINTS  
M4

POINTS COORDINATES

REF.	X REF.	Y REF.	Z REF.
CAP+Y01	380.500	1781.900	-149.750
CAP+Y02	380.500	1781.900	-106.500
CAP+Y03	380.500	1781.900	-63.250
CAP+Y04	157.500	1781.900	-63.250
CAP+Y05	157.500	1781.900	-106.500
CAP+Y06	157.500	1781.900	-149.750
CAP+Y07	206.833	1781.900	-63.250
CAP+Y08	331.167	1781.900	-63.250
CAP-Y01	380.500	1781.900	-412.750
CAP-Y02	380.500	1781.900	-447.750
CAP-Y03	380.500	1781.900	-482.750
CAP-Y04	344.750	1781.900	-507.750
CAP-Y05	269.000	1781.900	-507.750
CAP-Y06	193.250	1781.900	-507.750
CAP-Y07	157.500	1781.900	-482.750
CAP-Y08	157.500	1781.900	-447.750
CAP-Y09	157.500	1781.900	-412.750

Number of pts 171

Visa PROJÉT:

Visa CONFIG:

DETROMPAGE:  OUI  NON

IMPACT SUR PROCEDURE D'INTEGRATION:

CE PLAN A ETE REALISE EN C.A.O SOUS LE NUMERO : ME.PLS.A140.S.011SA.E (DRAFT 02)  
TOUTE MODIFICATION DOIT ETRE EFFECTUEE PAR L'INTERMEDIAIRE DU SYSTEME CATIA

PROTECTION	ETAT DE SURFACE ASN 003-06	MICRONS SAUF	MARQUAGE ASN 003-06	ELEMENT	CRITIQUE
TOLERANCES GENERALES DE FABRICATION ASN 211.004 (métrique) / 212.011.05 (E (anglais))	INDICATIONS CONTRAIRES		NON CRITIQUE		

VISAS DES SERVICES D'ETAT

CE DESSIN EST LA PROPRIETE DE alcatel ET NE PEUT ETRE REPRODUIT OU COMMUNIQUE SANS SON AUTORISATION.

DES TYLINKI.S LE 17/05/02 TITRE  
VERIF BOFFELLI.S LE 17/05/02  
CALCUL - LE -  
VISA CLAVEL.PH LE 17/05/02

PLANCK  
4K ACCOMMODATION & ACCESS

ECHELLE: - CODE DOC: 20 F0278C REFERENCE: PLS A140 S 011SA INDICE: E PLANCHE: 02

CODE FORMAT:

# PLANCK DRAWING

## CHANGE RECORD

DRAWING TITLE            0,1K ACCOMMODATION AND ACCESS      Date: 01/10/2003

REFERENCE DRAWING    ME.PLS.A140.S.010SA                              Indice: E

NUMBER OF SHEET      4

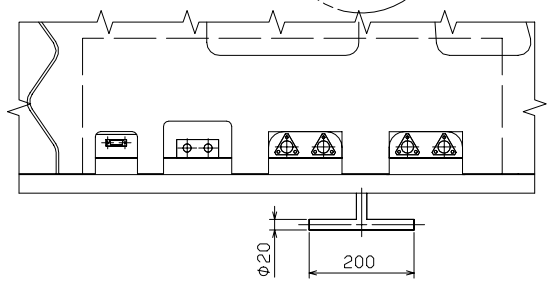
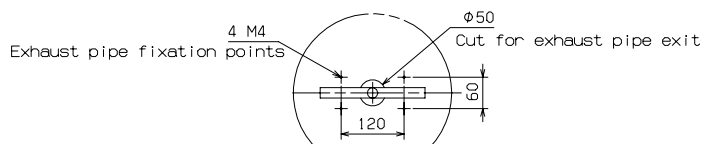
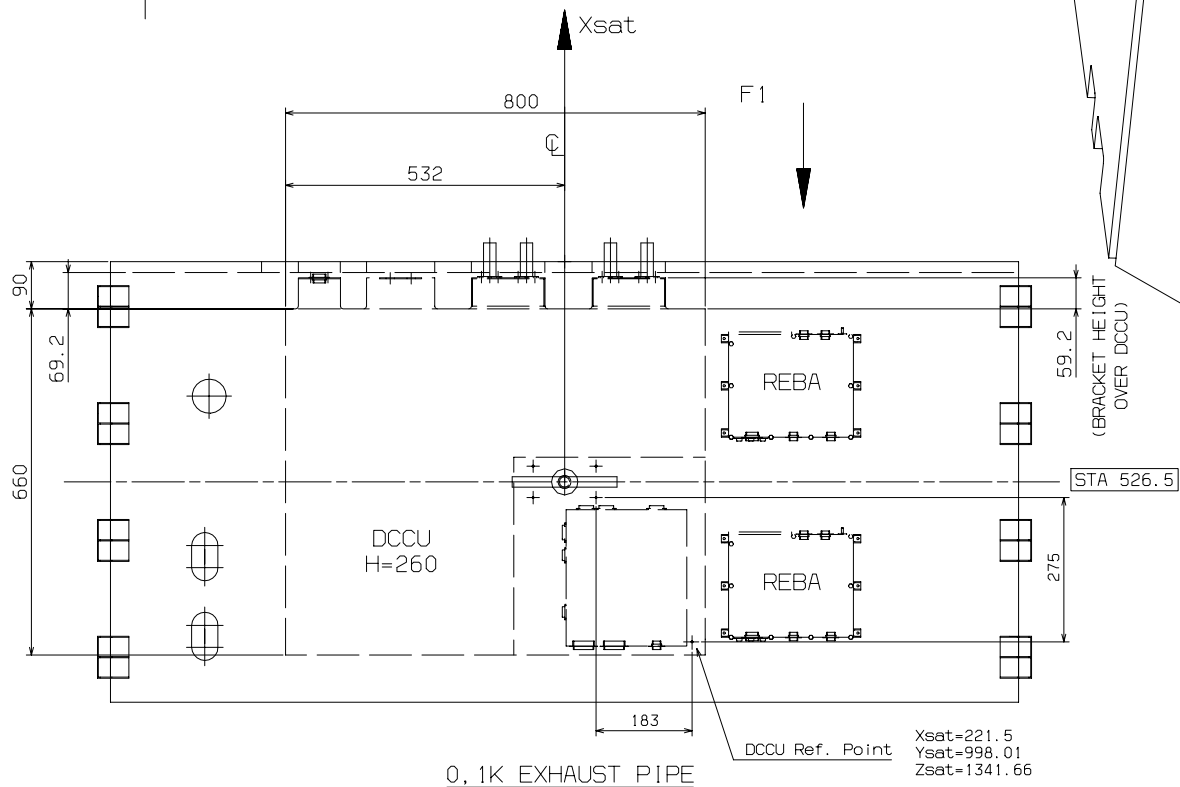
Ind	Date	Modifications	Approbation
A	17/05/2002	INITIAL DRAWING	
B	31/07/2002	CUT-OUT UPDATED	
C	19/02/2003	SHEET 3 ADDED,CUT-OUT DEFINITION FOR STM/FM	
D	20/03/2003	HELIUM TANK ACCESS HOLE ADDED ON SHEET 4	
E	01/10/2003	- ONE VIEW ADDED ON DRAFT 03 HEIGHT OF F/D VALVES - EXHAUST PIPE FIXATION POINTS ADDED	

c111290 FRAME 1 OCTOBER 6, 2003 15:39.02

**MODIFICATIONS**

Indice/Zones	Visa	Date	Verification	Origine
E	-	01/10/03	MARCHAND	BOFFELLI

- One view added on draft 03 Height of F/D valves.  
 Exhaust pipe fixation points added.



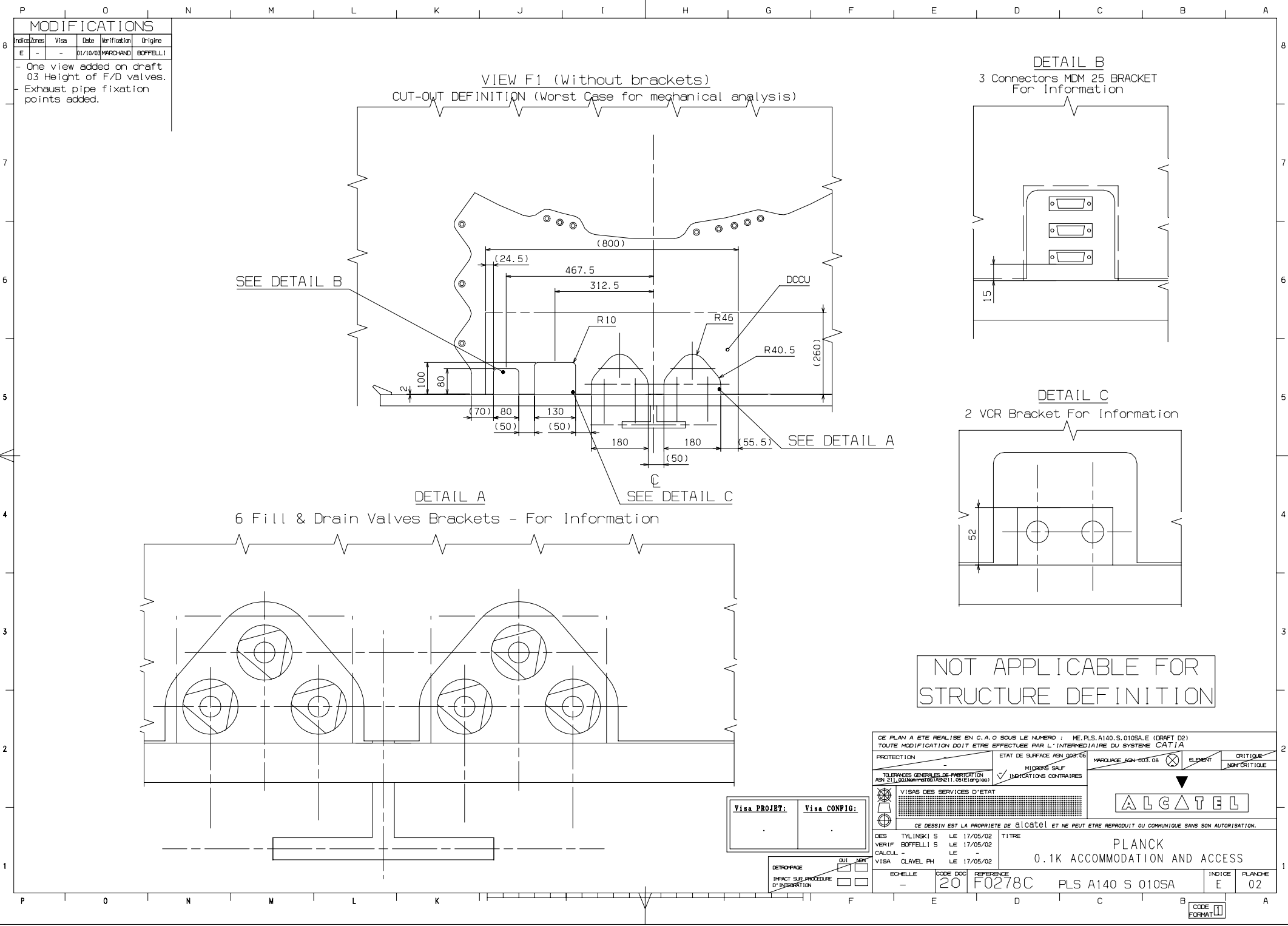
Visa PROJET:	Visa CONFIG:
--------------	--------------

DETROMPAGE	<input type="checkbox"/>	OUI	<input type="checkbox"/>	NON	<input type="checkbox"/>
IMPACT SUR PROCEDURE D'INSERATION	<input type="checkbox"/>	<input type="checkbox"/>	<input type="checkbox"/>	<input type="checkbox"/>	<input type="checkbox"/>

CE PLAN A ETE REALISE EN C.A.O SOUS LE NUMERO : ME.PLS.A140.S.010SA.E (DRAFT D1)					
TOUTE MODIFICATION DOIT ETRE EFFECTUEE PAR L'INTERMEDIAIRE DU SYSTEME CATIA					
PROTECTION	ETAT DE SURFACE ASN 003-06	MARQUAGE ASN-003.08	<input checked="" type="checkbox"/> ELEMENT	CRITIQUE	<input type="checkbox"/> NON CRITIQUE
TOLERANCES GENERALES DE FABRICATION		INDICATIONS CONTRAIRES			
ASN 211.0000 (MATERIAUX EN 1.05 (E) (eng 100))					
VISAS DES SERVICES D'ETAT			ALGATEL		
CE DESSIN EST LA PROPRIETE DE algatel ET NE PEUT ETRE REPRODUIT OU COMMUNIQUE SANS SON AUTORISATION.					
DES	TYLINSKI S	LE	17/05/02	TITRE	PLANCK
VERIF	BOFFELLI S	LE	17/05/02	0.1K ACCOMMODATION AND ACCESS	
CALCUL	-	LE	-	INDICE	E
VISA	CLAVEL PH	LE	17/05/02	PLANCHE	01
ECHELLE	CODE DOC	REFERENCE	PLS A140 S 010SA		
-	20	F0278C			

CODE FORMAT

c10993 FRAME 1 OCTOBER 3, 2003 14.13.50

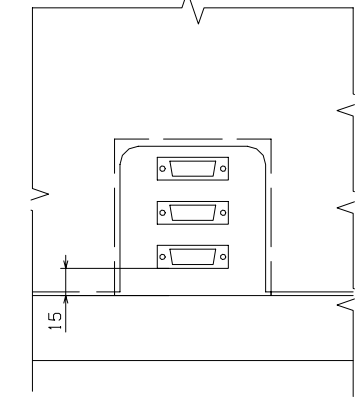


MODIFICATIONS				
Indice/Zones	Visa	Date	Verification	Origine
E	-	01/10/03	MARCHAND	BOFFELLI

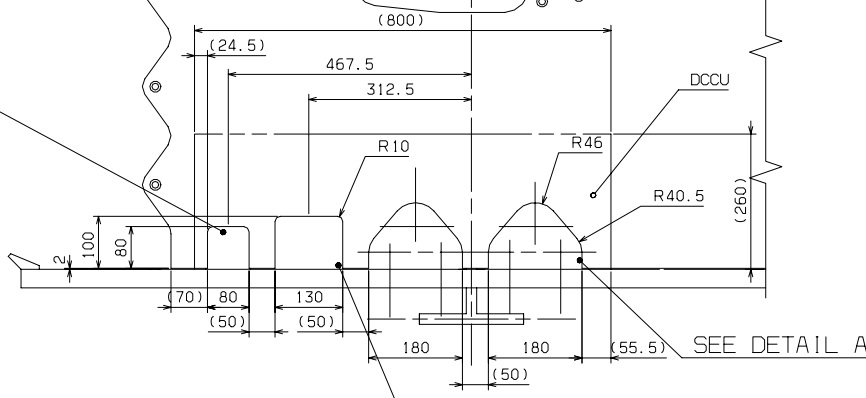
- One view added on draft  
 03 Height of F/D valves.  
 Exhaust pipe fixation points added.

VIEW F1 (Without brackets)  
 CUT-OUT DEFINITION (Worst Case for mechanical analysis)

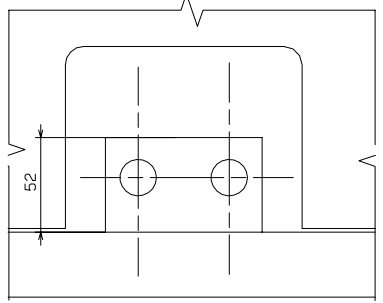
DETAIL B  
 3 Connectors MDM 25 BRACKET  
 For Information



SEE DETAIL B



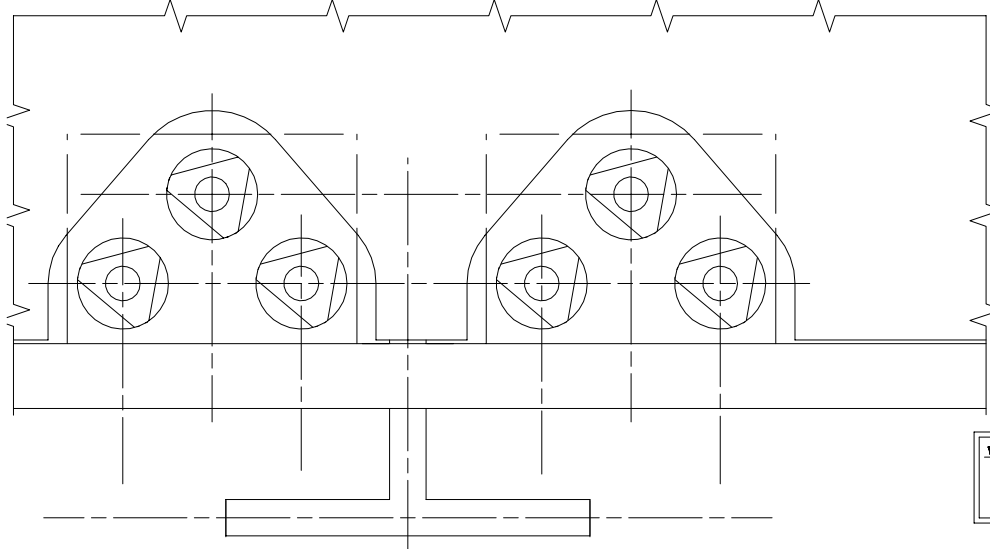
DETAIL C  
 2 VCR Bracket For Information



SEE DETAIL C

DETAIL A

6 Fill & Drain Valves Brackets - For Information



NOT APPLICABLE FOR  
 STRUCTURE DEFINITION

Visa PROJBT:	Visa CONFIG:
--------------	--------------

DETROPAGE	<input type="checkbox"/>	OUI	<input type="checkbox"/>	NON	<input type="checkbox"/>
IMPACT SUB-PROCEDURE D'INTEGRATION	<input type="checkbox"/>	<input type="checkbox"/>	<input type="checkbox"/>	<input type="checkbox"/>	<input type="checkbox"/>

CE PLAN A ETE REALISE EN C.A.O SOUS LE NUMERO : ME.PLS.A140.S.010SA.E (DRAFT 02)  
 TOUTE MODIFICATION DOIT ETRE EFFECTUEE PAR L'INTERMEDIAIRE DU SYSTEME CATIA

PROTECTION	ETAT DE SURFACE ASN 003-06	MARQUAGE ASN-003-06	ELEMENT	CRITIQUE	NON-CRITIQUE
TOLERANCES GENERALES DE FABRICATION ASN 211.00 (non traitées) / ASN 211.05 (étirées)	MILIGRS SAUF INDICATIONS CONTRAIRES				

VISAS DES SERVICES D'ETAT

CE DESSIN EST LA PROPRIETE DE Alcatel ET NE PEUT ETRE REPRODUIT OU COMMUNIQUE SANS SON AUTORISATION.

DES	TYLINSKI S	LE	17/05/02	TITRE	PLANCK
VERIF	BOFFELLI S	LE	17/05/02		
CALCUL	-	LE	-		
VISA	CLAVEL PH	LE	17/05/02		

CE DESSIN EST LA PROPRIETE DE Alcatel ET NE PEUT ETRE REPRODUIT OU COMMUNIQUE SANS SON AUTORISATION.

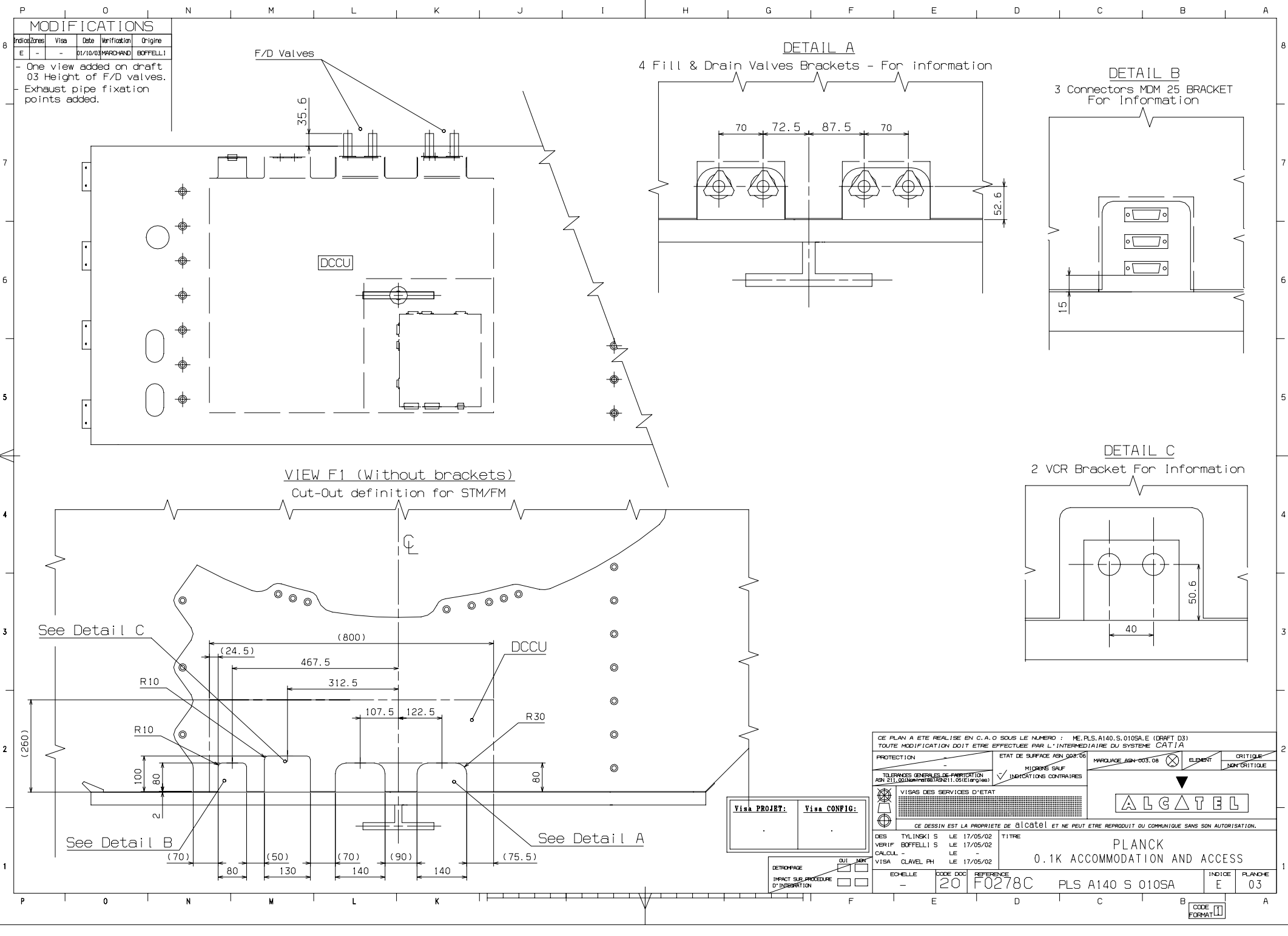
PLS A140 S 010SA

EDHELLE	CODE DOC	REFERENCE	INDICE	PLANCHE
-	20	F0278C	E	02

CODE FORMAT



c10993 FRAME 1 OCTOBER 3, 2003 14.14.07



MODIFICATIONS				
Indice/Zones	Visa	Date	Verification	Origine
E	-	01/10/03	MARCHAND	BOFFELLI

- One view added on draft 03  
 Height of F/D valves.  
 Exhaust pipe fixation points added.

F/D Valves

35.6

DCCU

VIEW F1 (Without brackets)  
 Cut-Out definition for STM/FM

DETAIL A

4 Fill & Drain Valves Brackets - For information

70 72.5 87.5 70

52.6

DETAIL B

3 Connectors MDM 25 BRACKET  
 For information

15

DETAIL C

2 VCR Bracket For information

50.6

40

See Detail C

R10

R10

DCCU

R30

See Detail A

See Detail B

(70) 80 (50) 130 (70) 140 (90) 140 (75.5)

(24.5) 467.5 312.5 107.5 122.5

(800)

(260)

Visa PROJET: Visa CONFIG:

CE Dessin a été réalisé en C.A.O. sous le numéro : ME.PLS.A140.S.010SA.E (DRAFT 03)  
 TOUTE MODIFICATION DOIT ÊTRE EFFECTUÉE PAR L'INTERMÉDIAIRE DU SYSTÈME CATIA

PROTECTION	ETAT DE SURFACE ASN 003-06	CRITIQUE
TOLERANCES GÉNÉRALES DE FABRICATION ASN 211.00 (non traitées) / ASN 211.05 (étirages)	INDICATIONS SAUF INDICATIONS CONTRAIRES	NON CRITIQUE

VISAS DES SERVICES D'ÉTAT

CE Dessin est la propriété de Alcatel et ne peut être reproduit ou communiqué sans son autorisation.

DES TYLINSKI S	LE 17/05/02	TITRE
VERIF BOFFELLI S	LE 17/05/02	PLANCK
CALCUL -	LE -	0.1K ACCOMMODATION AND ACCESS
VISA CLAVEL PH	LE 17/05/02	

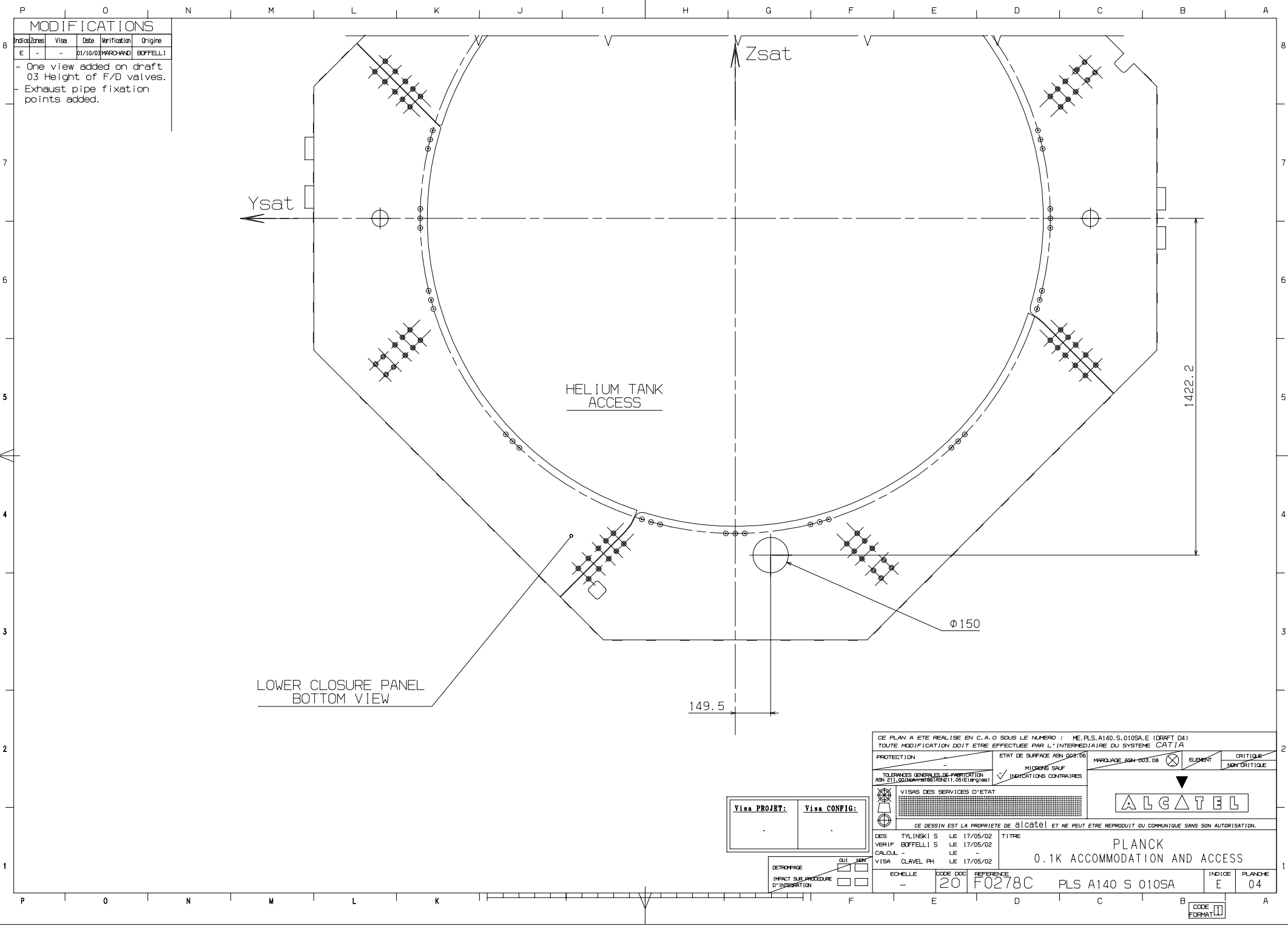
EDUCATION:  OUI  NON  
 IMPACT SUB-PROCÉDURE D'INTÉGRATION:  OUI  NON

EDUCATION	CODE DOC	REFERENCE	INDICE	PLANCHE
-	20	F0278C	E	03

PLS A140 S 010SA

CODE FORMAT:

c10993 FRAME 1 OCTOBER 3, 2003 14.14.19



MODIFICATIONS					
Indice	Zones	Visa	Date	Verification	Origine
E	-	-	01/10/03	MARCHAND	BOFFELLI

- One view added on draft  
 03 Height of F/D valves.  
 Exhaust pipe fixation points added.

CE PLAN A ETE REALISE EN C.A.O SOUS LE NUMERO : ME.PLS.A140.S.010SA.E (DRAFT 04)  
 TOUTE MODIFICATION DOIT ETRE EFFECTUEE PAR L'INTERMEDIAIRE DU SYSTEME CATIA

PROTECTION	ETAT DE SURFACE ASN 003-06	MARQUAGE ASN-003-06	ELÉMENT	CRITIQUE
TOLERANCES GENERALES DE FABRICATION ASN 211.00 (non traitées) ASN 211.05 (étirées)	INDICATS SAUF ✓ INDICATIONS CONTRAIRES			NON CRITIQUE

VISAS DES SERVICES D'ETAT

CE DESSIN EST LA PROPRIETE DE Alcatel ET NE PEUT ETRE REPRODUIT OU COMMUNIQUE SANS SON AUTORISATION.

DES	TYLINSKI S	LE	17/05/02	TITRE	
VERIF	BOFFELLI S	LE	17/05/02		
CALCUL	-	LE	-		
VISA	CLAVEL FH	LE	17/05/02		

ALCATEL

PLANCK  
 0.1K ACCOMMODATION AND ACCESS

DETRONPAGE	<input type="checkbox"/> OUI	<input type="checkbox"/> NON	EDHELLE	CODE DOC	REFERENCE	INDICE	PLANCHE
IMPACT SUB-PROCEDURE D'INTEGRATION	<input type="checkbox"/>	<input type="checkbox"/>	-	20	F0278C	PLS A140 S 010SA	E 04

CODE FORMAT

# PLANCK DRAWING

## CHANGE RECORD

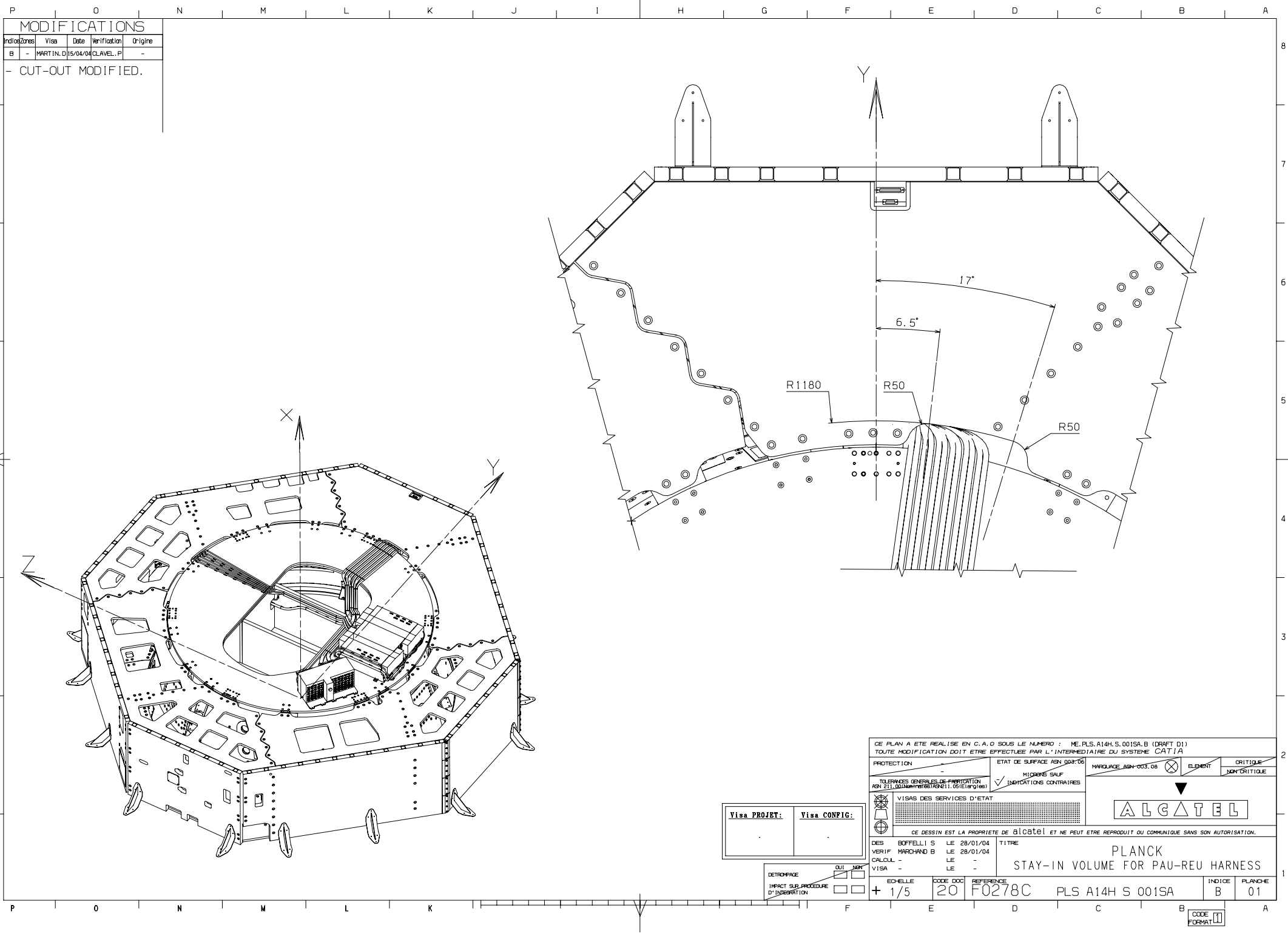
DRAWING TITLE                      STAY-IN VOLUME FOR PAU-REU HARNESS      Date: 15/04/2004

REFERENCE DRAWING      ME.PLS.A14H.S.001FA                      Indice: B

NUMBER OF SHEET              1

Ind	Date	Modifications	Approbation
A	28/01/2004	INITIAL DRAWING	
B	15/04/2004	CUT-OUT MODIFIED	

c111290 FRAME 1 APRIL 20, 2004 15.43.02



MODIFICATIONS				
Indice/Zones	Visa	Date	Verification	Origine
B	-	28/01/04	CLAVEL.P	-

- CUT-OUT MODIFIED.

Visa PROJET:	Visa CONFIG:
--------------	--------------

CE PLAN A ETE REALISE EN C.A.O SOUS LE NUMERO : ME.PLS.A14H.S.001SA.B (DRAFT D1)  
TOUTE MODIFICATION DOIT ETRE EFFECTUEE PAR L'INTERMEDIAIRE DU SYSTEME CATIA

PROTECTION	ETAT DE SURFACE ASN 003-06	MARQUAGE ASN-003.08	ELEMENT	CRITIQUE
TOLERANCES GENERALES DE FABRICATION ASN 211.000 (mm) (R0.025) (E) (R0.125) (E) (R0.125) (E)	MICROUS SAUF	INDICATIONS CONTRAIRES	NON CRITIQUE	

VISAS DES SERVICES D'ETAT

CE DESSIN EST LA PROPRIETE DE Alcatel ET NE PEUT ETRE REPRODUIT OU COMMUNIQUE SANS SON AUTORISATION.

DES BOFFELLI S	LE 28/01/04	TITRE	<b>PLANCK</b> <b>STAY-IN VOLUME FOR PAU-REU HARNESS</b>
VERIF MARCHAND B	LE 28/01/04		
CALCUL -	LE -		
VISA -	LE -		

DETRONPAGE	OUI	NON
IMPACT SUR PROCEDURE D'INTEGRATION	<input type="checkbox"/>	<input type="checkbox"/>

ECHELLE	CODE DOC	REFERENCE	INDICE	PLANCHE
+ 1/5	20	F0278C	B	01

ALCATEL

CODE FORMAT:

# PLANCK DRAWING

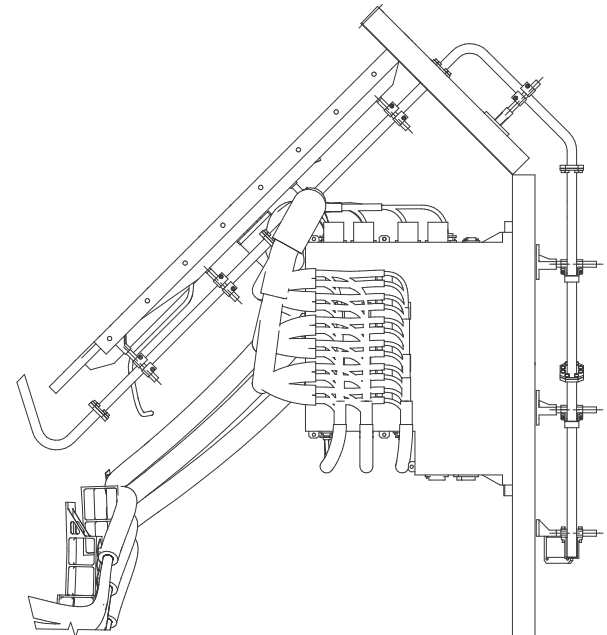
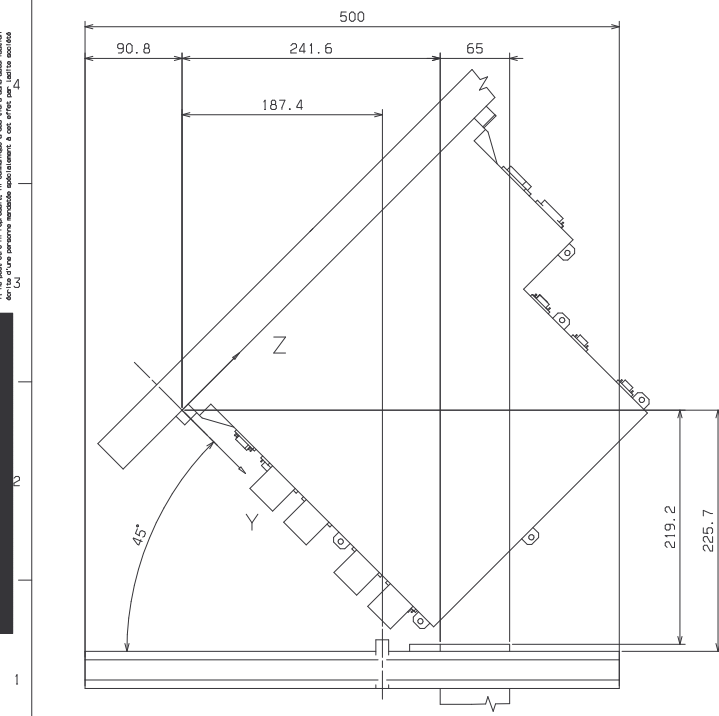
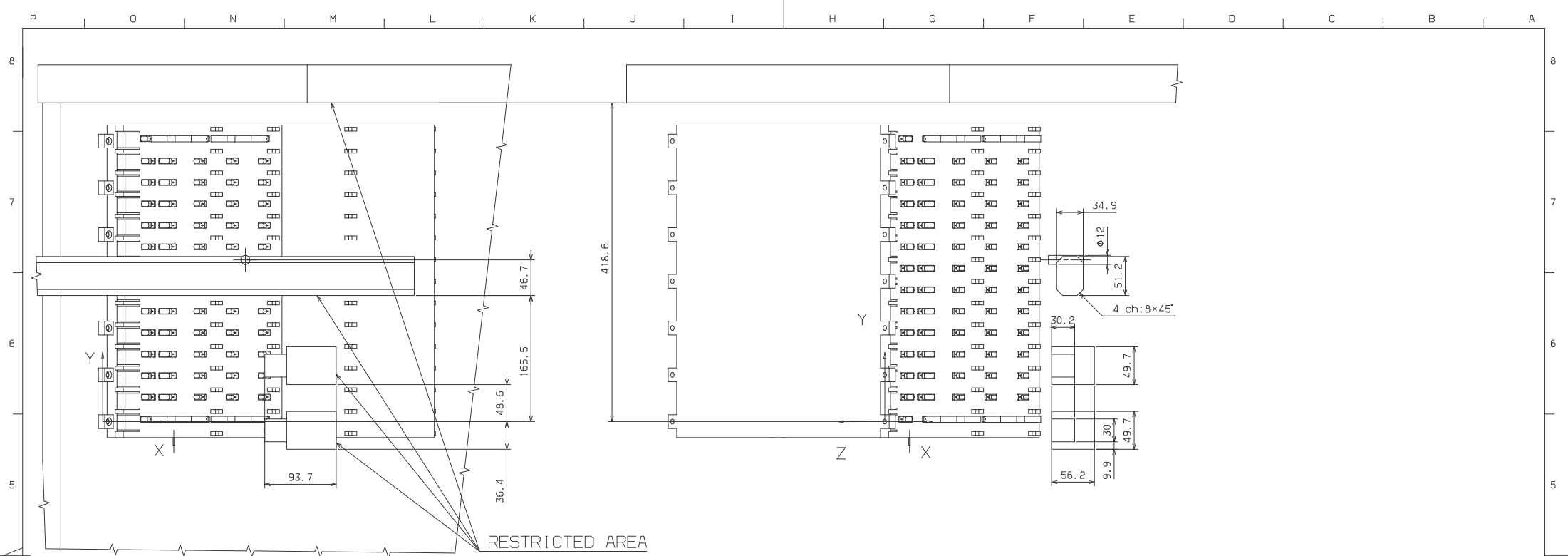
## CHANGE RECORD

**DRAWING TITLE**                      FORBIDDEN ZONES FOR PAU-REU HRN ACCOM.      **Date:** 10/06/2004

**REFERENCE DRAWING**      ME.PLS.A14H.A.002SA                                      **Indice:** -

**NUMBER OF SHEET**              1

<b>Ind</b>	<b>Date</b>	<b>Modifications</b>	<b>Approbation</b>
-	10/06/2004	INITIAL DRAWING	



Visa PROJÉT:      Visa CONFIG:

DETROMPAGE	<input type="checkbox"/> OUI	<input type="checkbox"/> NON	Ed./Rev.	Zones	Visa	Date	Verification	Dessinateur
IMPACT SUR PROCEDURE D'INTEGRATION	<input type="checkbox"/>	<input type="checkbox"/>						
<b>MODIFICATIONS</b>								
CE PLAN A ETE REALISE EN CAO SOUS LE NUMERO: ME, PLS, A14H, S, 0025, - (DRAFT, D01)								
TOUTE MODIFICATION DOIT ETRE EFFECTUEE PAR L'INTERMEDIAIRE DU SYSTEME CAIT/LIA								
-ETAT DE SURFACE SELON ASN 003.06 SAUF SPECIFICATION: -CASSER TOUT ANGLE VIF: -CONGES D'OUTILS NON COTES:			Ra $\sqrt{\quad}$			-PROFIL 150 NF L 0520 TOLERANCES NF L 0523 SAUF SPECIFICATION PARTICULIERE		
						CALCULEE PESEE		
						-FILETAGES MASSE -EPLIETAGE 4 h -TARAUDAGE 5 H		
MATIERE	MARQUAGE ASN 003.08	<input checked="" type="checkbox"/>	TOLERANCES GENERALES DE FABRICATION (EN 211, 500) (NF EN 10201, 11, 50) (EN 10201)					
Desig: HENVARDO	Date: 10/06/04	Traitement	FINITION					
Verif: MARCHAND	Date: 10/06/04	Echelle	2/5					
Cat: CUT	Date:	TITRE		PLANCK SVM		FT		FEUILLE
Visa:	Date:	FORBIDDEN ZONES FOR PAU-REU HRN ACCOMMODATION		1				
NUMERO DE DOCUMENT								
<b>ALCATEL</b>			SPACE			F0278C		
PLSA14HS002SA			DD01			00 -		

Ce document est la propriété de la Société ALCATEL SPACE. Il ne peut être ni reproduit, ni communiqué à des tiers sans autorisation écrite de la Société ALCATEL SPACE.

# PLANCK DRAWING

## CHANGE RECORD

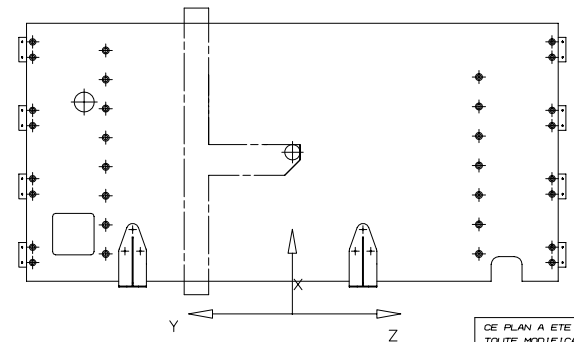
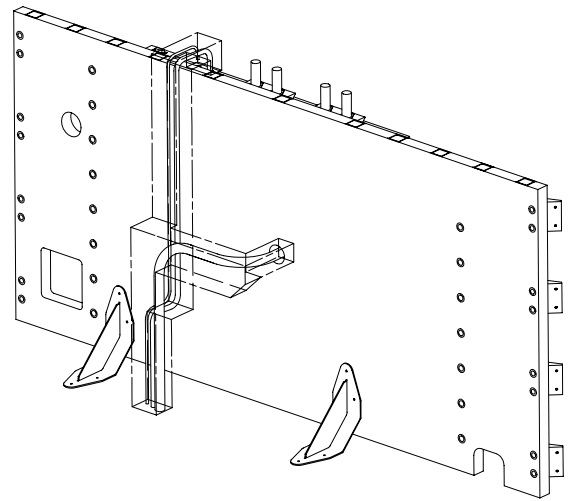
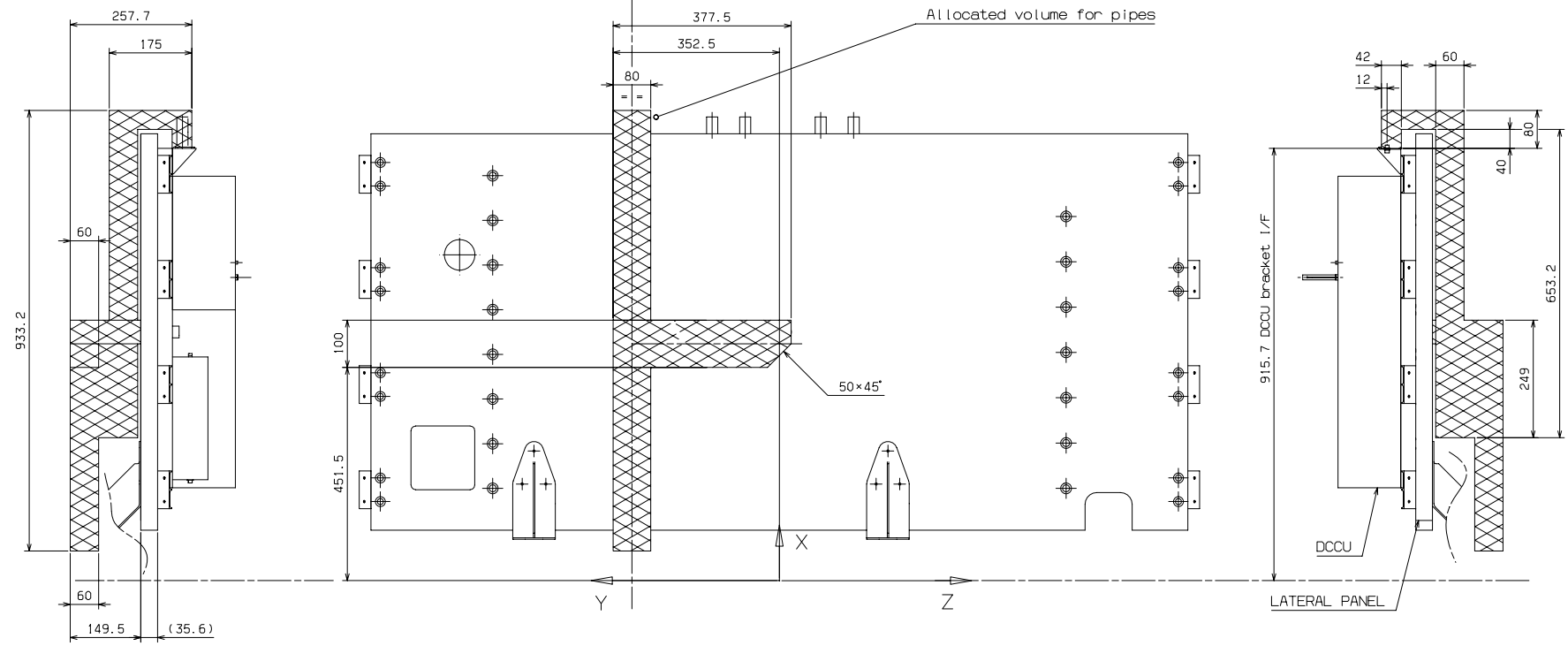
DRAWING TITLE                      EXTERNAL 0.1 K PIPING                      Date: 29/03/2004

REFERENCE DRAWING      ME.PLS.A300.S.001FA                      Indice: A

NUMBER OF SHEET              1

Ind	Date	Modifications	Approbation
A	29/03/2004	INITIAL DRAWING	

MODIFICATIONS					
Indice	Zones	Visa	Date	Verification	Origine
-	-	-	-	-	-



Visa PROJET:	Visa CONFIG:
--------------	--------------

DETROMPAGE	OUI	NON
IMPACT SUR PROCEDURE D'INTEGRATION	<input type="checkbox"/>	<input type="checkbox"/>

CE PLAN A ETE REALISE EN C.A.O SOUS LE NUMERO : ME, PLS, A300, S.001FA, A (DRAFT 0,01)  
TOUTE MODIFICATION DOIT ETRE EFFECTUEE PAR L'INTERMEDIAIRE DU SYSTEME CATIA

PROTECTION	-	ETAT DE SURFACE ASN 003.06	CRITIQUE
TOLERANCES GENERALES DE FABRICATION	AS211.00 (Normales) AS211.05 (E (angles))	MICRONS SAUF	NON CRITIQUE
VISAS DES SERVICES D'ETAT	<input checked="" type="checkbox"/>	MARQUAGE ASN 003.06	<input type="checkbox"/> ELEMENT

CE DESSIN EST LA PROPRIETE DE Alcatel ET NE PEUT ETRE REPRODUIT OU COMMUNIQUE SANS SON AUTORISATION.

DES	MARTIN, D	LE	29/03/04	TITRE	PLANCK
VERIF	MARHAND, B	LE	29/03/04		EXTERNAL 0.1K PIPING
CALCUL	-	LE	-		
VISA	CLAVEL, P	LE	29/03/04		

ECHELLE	CODE DOC	REFERENCE	INDICE	PLANCHE
-	20	F0278C	A	01

PLSA300S001FA

CODE FORMAT



# PLANCK DRAWING

## CHANGE RECORD

DRAWING TITLE            4K CCU SHIELDING - SHIELDING BRACKET    Date: 21/06/2006

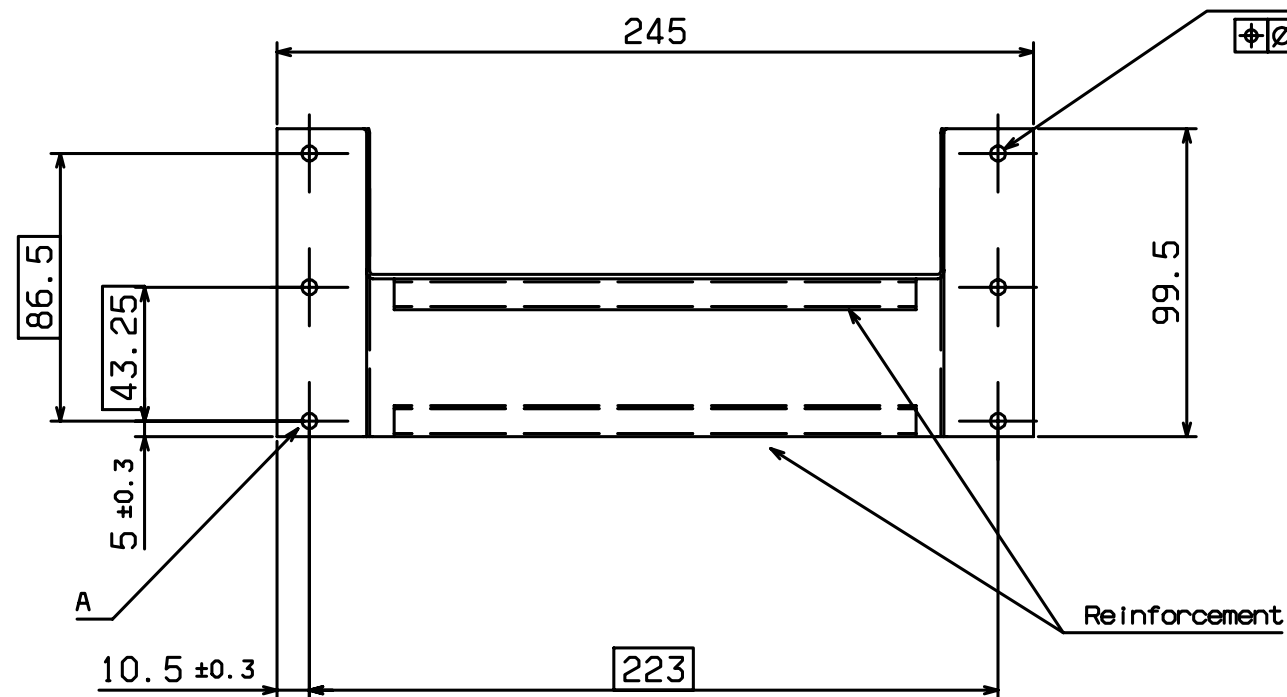
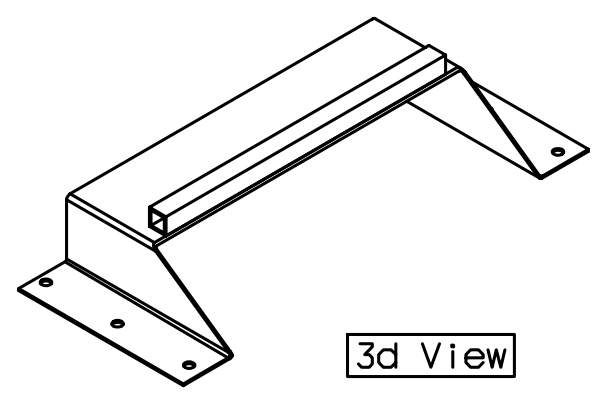
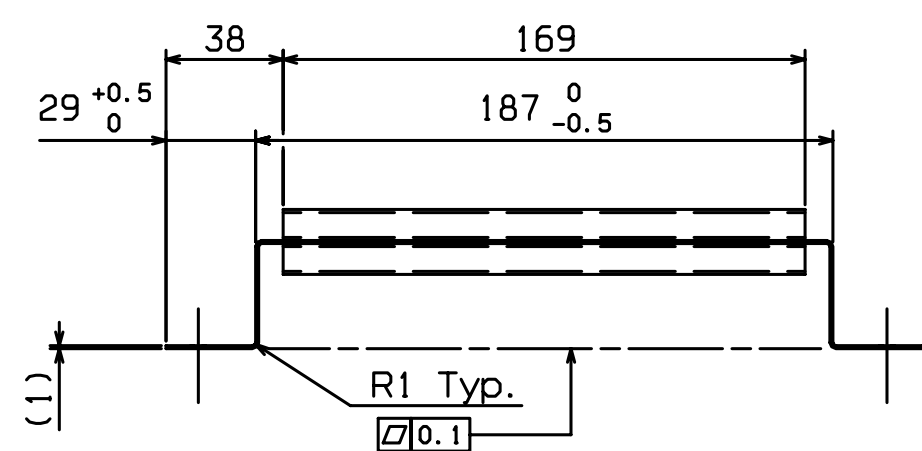
REFERENCE DRAWING    ME.PLS.114F.A.101FA                            Indice: D

NUMBER OF SHEET      1

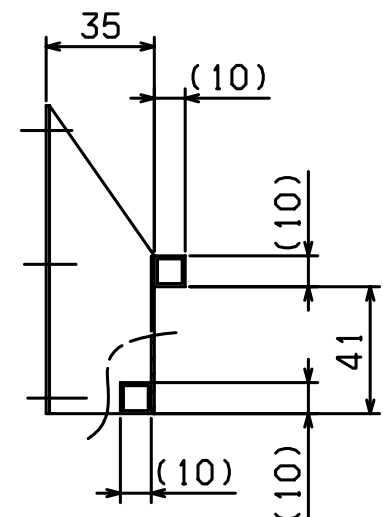
Ind	Date	Modifications	Approbation
A	21/04/2004	INITIAL DRAWING	
B	21/10/2004	DRAFT D2 ADDED	
C	14/04/2005	UPDATED DESIGN , DRAFT D2 MOVED TO ANOTHER DRAWING	
D	21/06/2006	UPDATED DESIGN TO CLEAR INTERFERENCE WITH CONNECTORS	

Ce document est la propriété de la Société ALCATEL SPACE. Il ne peut être ni reproduit, ni communiqué à une tierce sans autorisation écrite d'un personnel autorisé. Toute violation est punie par la loi.

H G F E D C B A



$\phi 5^{+0.2/0} (x6)$   
 $\oplus \ominus 0.3 | A$



-UPDATED DESIGN.

Ed./Rev.	Zones	Visa	Date	Verification	Dessinateur
D	-	-	21/06/06	MARCHAND.B	MARTIN.D

-UPDATED DESIGN, DRAFT D2 MOVED TO ANOTHER DRAWING.

Ed./Rev.	Zones	Visa	Date	Verification	Dessinateur
C	-	-	14/04/05	MARCHAND.B	MARTIN.D

DRAFT D2 ADDED (PAINTING)

Ed./Rev.	Zones	Visa	Date	Verification	Dessinateur
B	-	-	21/10/04	MARCHAND.B	MARTIN.D

DETROMPAGE	<input type="checkbox"/> OUI <input type="checkbox"/> NON				
IMPACT SUR PROCEDURE D'INTEGRATION	<input type="checkbox"/> OUI <input type="checkbox"/> NON				

CE PLAN A ETE REALISE EN CAO SOUS LE NUMERO: ME.PLS.114F.A.101FA.D (DRAFT D1)  
TOUTE MODIFICATION DOIT ETRE EFFECTUEE PAR L'INTERMEDIAIRE DU SYSTEME CATIA

FILETAGES	MASSE
-PROFIL ISO NF L 05220	CALCULEE
TOLERANCES NF L 05223	
SAUF SPECIFICATION PARTICULIERE	PESEE
-FILETAGE 4 h -TARAUDAGE 5 h	

MATIERE:  MARQUAGE ASN 003.08

Usine: MARTIN.D Date: 21/04/04 TRAITEMENT: See Drawing FINITION

Verif: MARCHAND.B Date: 21/04/04 Echelle: TITRE: PLANCK - 4K CCU SHIELDING SHIELDING BRACKET FT: 2 FEUILLE: 1

Calcul: - Date: -

Visa: CLAVEL.P Date: 21/04/04 Code reglar:

NUMERO DE DOCUMENT			
NUMERO DE REPRESENTATION	TYPE	Ed.	Rev.
PLS114FA101FA	DD01	00	D

ALCATEL SPACE F0276C

Material : Mu-Metal Th: 1 mm.  
Reinforcement : 304L profile 10x10x1.  
Typical folding radius 1 mm.  
Welding assembly.

Visa PROJET:	Visa CONFIG:

H G F E D C B A

# PLANCK DRAWING

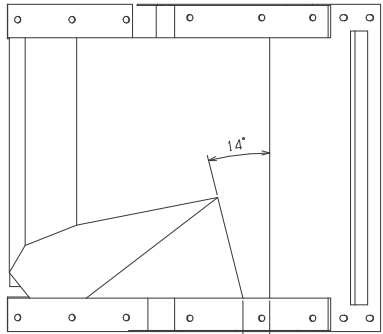
## CHANGE RECORD

DRAWING TITLE            4K CCU SHIELDING - CLOSING CAP +Y            Date: 25/04/2005

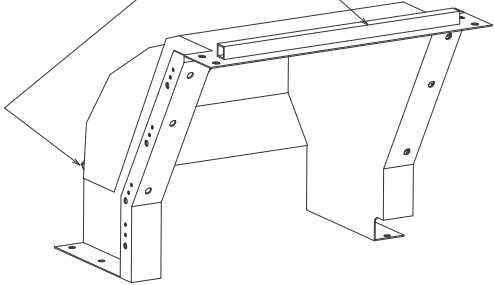
REFERENCE DRAWING    ME.PLS.114F.A.102FA            Indice: D

NUMBER OF SHEET      1

Ind	Date	Modifications	Approbation
A	21/04/2004	INITIAL DRAWING	
B	07/06/2004	8 oblong holes become 8 holes dia. 4,5 16 holes dia. 2,5 added	
C	16/11/2004	DRAFT D2 ADDED	
D	25/04/2005	UPDATED GEOMETRY , DRAFT D2 MOVED TO ANOTHER DRAWING	



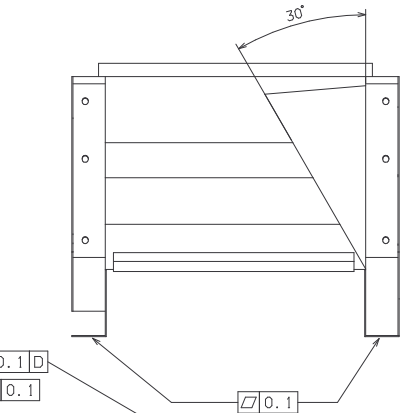
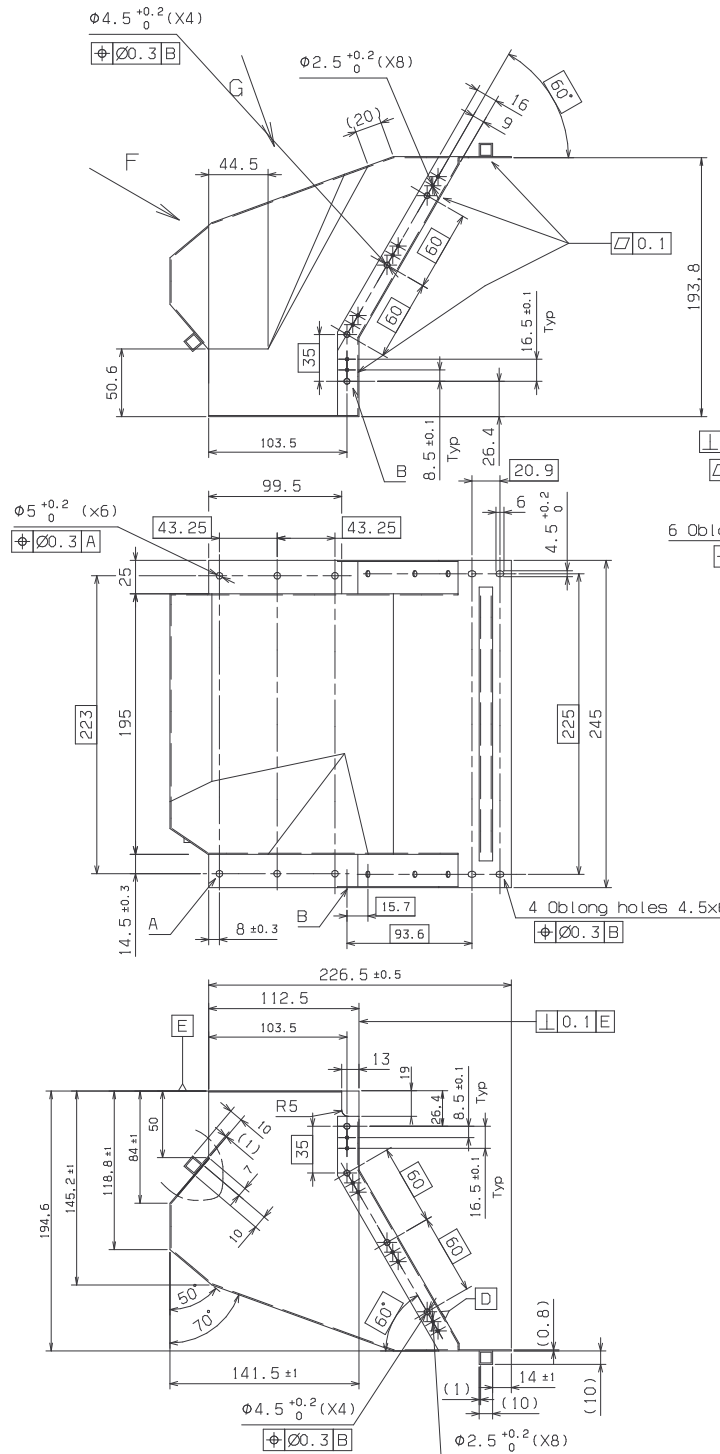
Reinforcements



3d View

Material : Mu-Metal Th: 0,8 mm.  
 Reinforcement : 304L profile 10x10x1.  
 Typical folding radius 0,8 mm.  
 Welding assembly.

Visa PROJET:	Visa CONFIG:



View F

-UPDATED GEOMETRY, DRAFT D2 MOVED TO ANOTHER DRAWING.

Ed./Rev.	Zones	Visa	Date	Verification	Dessinateur
D	-	CLAVEL.P	25/04/05	MARCHAND.B	MARTIN.D

DRAFT D2 (PAINTING) ADDED

Ed./Rev.	Zones	Visa	Date	Verification	Dessinateur
C	-	CLAVEL.P	16/11/04	MARCHAND.B	MARTIN.D

8 Oblong holes become 8 holes  $\phi 4.5$   
 16 holes  $\phi 2.5$  added

Ed./Rev.	Zones	Visa	Date	Verification	Dessinateur
B	-	CLAVEL.P	07/06/04	CLAVEL-P	BENET-E

MODIFICATIONS

DETROMPAGE  OUI  NON  
 IMPACT SUR PROCEDURE D'INTEGRATION  OUI  NON

ETAT DE SURFACE SELON ASN 003.06 SAUF SPECIFICATION: Ra  
 -CASSER TOUT ANGLE VIF: FILETAGES  
 -CONES D'OUTILS NON COTES: MASSE

TOLERANCES NF L 05220  
 SAUF SPECIFICATION PARTICULIERE  
 PRESEE  
 -ETAPE 4 h -TARLAGE 5 H  
 CALCULEE  
 PRESEE

DESIGNER	DATE	TREATMENT	SEE DRAWING	FINITION	TOLERANCES GENERALES DE FABRICATION
MARTIN.D	21/04/04				ASN 211.50 Norm/ISO 13715-1-04
MARCHAND.B	21/04/04				
CLAVEL.P	21/04/04				

NUMERO DE REPRESENTATION	TYPE	Ed.	Rev.
PLS114FA102FA	DD01	00	D



F0278C

# PLANCK DRAWING

## CHANGE RECORD

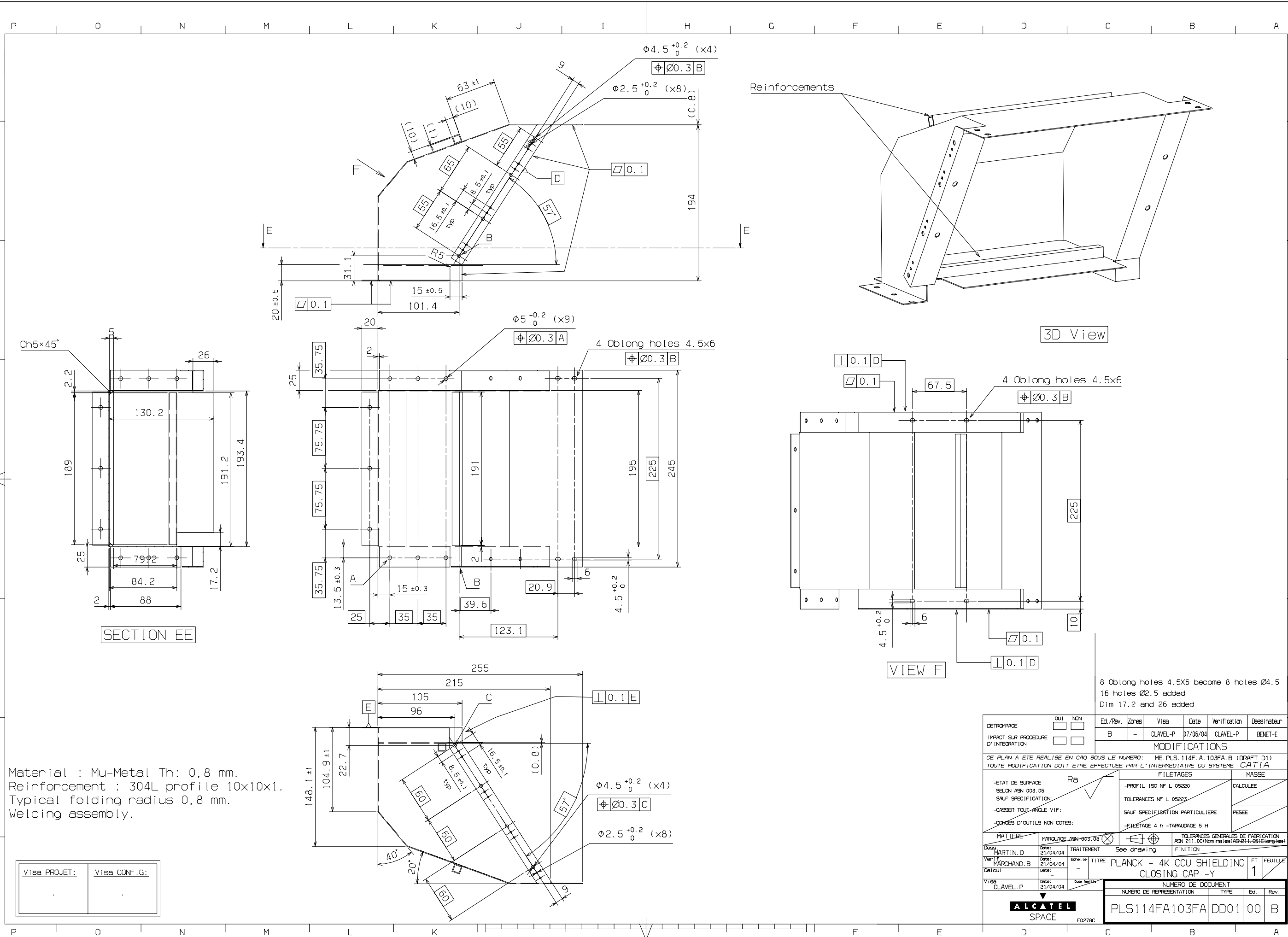
DRAWING TITLE            4K CCU SHIELDING - CLOSING CAP -Y            Date: 07/06/2004

REFERENCE DRAWING    ME.PLS.114F.A.103FA            Indice: B

NUMBER OF SHEET      1

Ind	Date	Modifications	Approbation
A	21/04/2004	INITIAL DRAWING	
B	07/06/2004	8 oblong holes become 8 holes dia. 4,5  16 holes dia. 2,5 added  Dim 17,2 and 26 added	

Ce document est la propriété de la Société ALCATEL SPACE.  
 Il est strictement réservé à son usage interne.  
 Toute réimpression ou utilisation non autorisée sans la permission écrite de la Société ALCATEL SPACE est formellement interdite.



Material : Mu-Metal Th: 0.8 mm.  
 Reinforcement : 304L profile 10x10x1.  
 Typical folding radius 0.8 mm.  
 Welding assembly.

Visa PROJÉT:	Visa CONFIG:
--------------	--------------

8 Oblong holes 4.5x6 become 8 holes Ø4.5  
 16 holes Ø2.5 added  
 Dim 17.2 and 26 added

DETROMPAGE	<input type="checkbox"/> OUI <input type="checkbox"/> NON	Ed./Rev.	Zones	Visa	Date	Verification	Dessinateur
IMPACT SUR PROCEDURE D'INTEGRATION	<input type="checkbox"/> OUI <input type="checkbox"/> NON	B	-	CLAVEL-P	07/06/04	CLAVEL-P	BENET-E
MODIFICATIONS							
CE PLAN A ETE REALISE EN CAO SOUS LE NUMERO: ME.PLS.114F.A.103FA.B (DRAFT D1)							
TOUTE MODIFICATION DOIT ETRE EFFECTUEE PAR L'INTERMEDIAIRE DU SYSTEME CATIA							
-ETAT DE SURFACE SELON ASN 003.06 SAUF SPECIFICATION:				Ra		FILETAGES	
-CASSER TOUT ANGLE VIF:				R		MASSE	
-CONGES D'OUTILS NON COTES:				-FILETAGE 4 h -TARAUDAGE 5 H		CALCULEE	
MATERIE				MARQUAGE ASN-003.06		TOLEANCES GENERALES DE FABRICATION	
Doss: MARTIN.D				Date: 21/04/04		ASN 211.00(Nom(nom(es)AS211-004(eng))	
Verif: MARCHAND.B				Date: 21/04/04		FINITION	
Calc: -				Date: -		TITRE	
Visa: CLAVEL.P				Date: 21/04/04		PLANCK - 4K CCU SHIELDING CLOSING CAP -Y	
NUMERO DE DOCUMENT							
NUMERO DE REPRESENTATION				TYPE		Ed. Rev.	
ALCATEL SPACE				F0278C		PLS114FA103FA DD01 00 B	

# PLANCK DRAWING

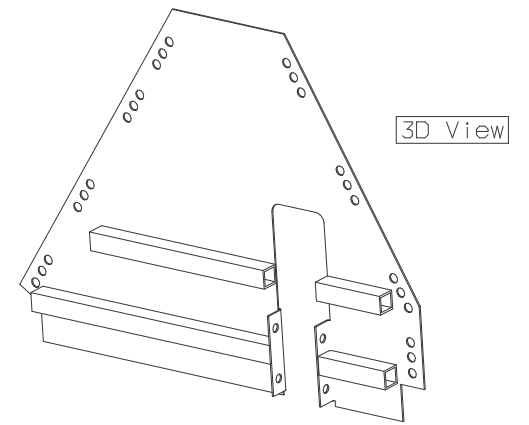
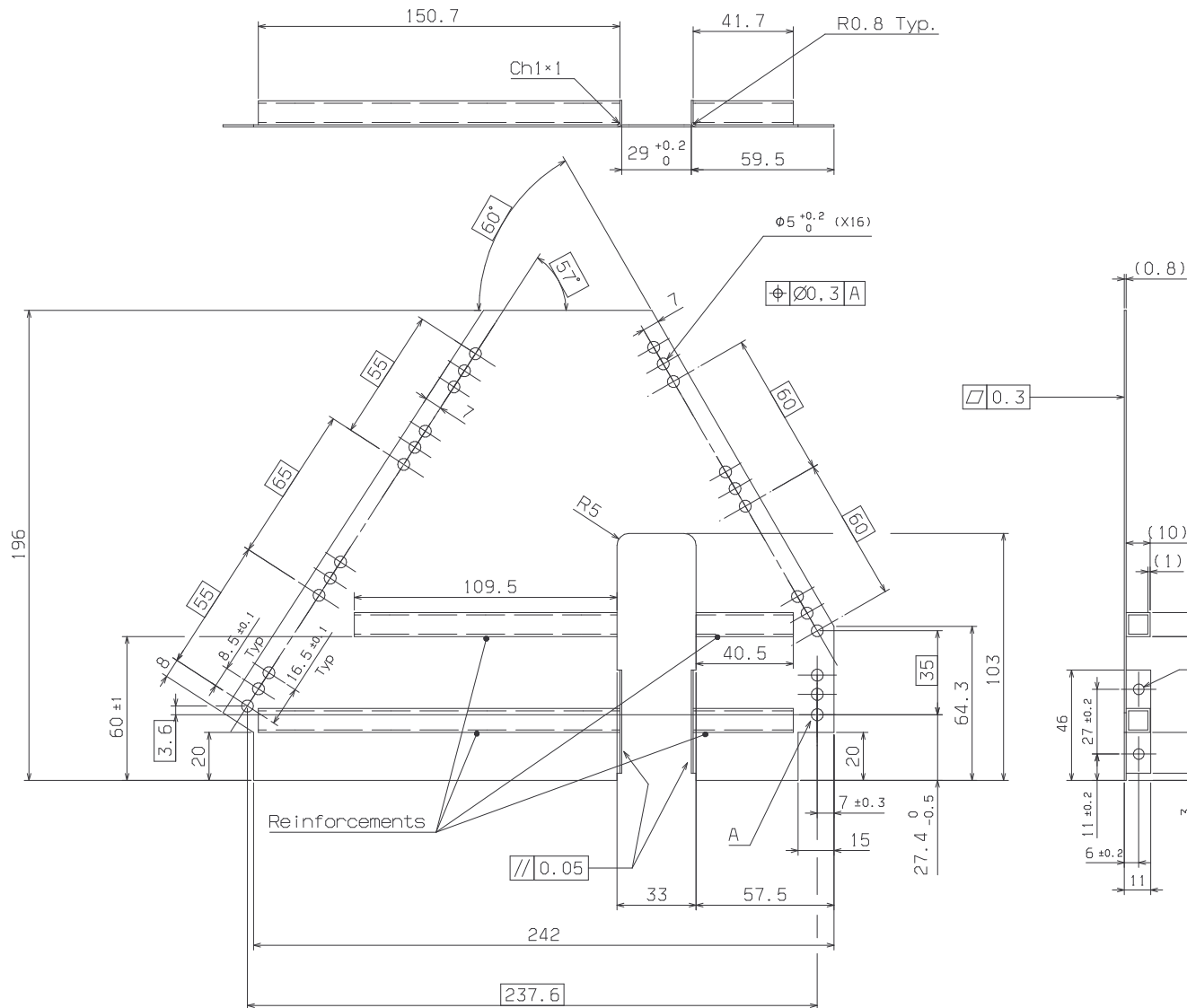
## CHANGE RECORD

DRAWING TITLE                    4K CCU SHIELDING - CLOSING CAP +X                    Date: 14/04/2005

REFERENCE DRAWING    ME.PLS.114F.A.104FA                    Indice: D

NUMBER OF SHEET            1

Ind	Date	Modifications	Approbation
A	21/04/2004	INITIAL DRAWING	
B	07/06/2004	16 holes dia. 5 added  8 oblong holes become 8 holes dia. 5	
C	16/11/2004	DRAFT D2 ADDED	
D	14/04/2005	UPDATED DESIGN , DRAFT D2 MOVED TO ANOTHER DRAWING	



Ce document est la propriété de la société ALCATEL SPACE. Il ne peut être ni reproduit, ni communiqué à des tiers sans autorisation écrite de l'ingénieur responsable de la fabrication.

Material : Mu-Metal Th: 0,8 mm.  
Reinforcement : 304L profile 10x10x1.  
Typical folding radius 0,8 mm.  
Welding assembly.

Visa PROJÉT:	Visa CONFIG:
--------------	--------------

Ed./Rev.	Zones	Visa	Date	Verification	Dessinateur
D	-	CLAVEL-P	14/04/05	MARCHAND-B	MARTIN-D

- DRAFT D2 ADDED (painting)

Ed./Rev.	Zones	Visa	Date	Verification	Dessinateur
C	-	CLAVEL-P	16/11/04	CLAVEL-P	MARTIN-D

16 HOLES Ø 5 ADDED  
8 OBLONG HOLES BECOME 8 Ø5

Ed./Rev.	Zones	Visa	Date	Verification	Dessinateur
B	-	CLAVEL-P	07/06/04	CLAVEL-P	BENET-E

DETROMPAGE	<input type="checkbox"/> OUI <input checked="" type="checkbox"/> NON													
IMPACT SUR PROCEDURE D'INTEGRATION	<input type="checkbox"/> OUI <input checked="" type="checkbox"/> NON													
CE PLAN A ETE REALISE EN CAO SOUS LE NUMERO: ME_PLS_114F_A_104FA_C (DRAFT D1) TOUTE MODIFICATION DOIT ETRE EFFECTUEE PAR L'INTERMEDIAIRE DU SYSTEME CATIA														
ETAT DE SURFACE SELON ASN 003.06 SAUF SPECIFICATION: -CASSER TOUT ANGLE VIF: -CONES D'OUTILS NON COTES:		Ra		FILETAGES -PROFIL 150 NF L 0620 TOLERANCES NF L 0523 SAUF SPECIFICATION PARTICULIERE -ETAPE 4 h -TARNAGE 5 H										
MATERIE MARTIN D		TRAITEMENT See drawing		TOLERANCES GENERALES DE FABRICATION REN 211.50(Norm/renseignements/series/eng)										
Verif:	MARCHAND B	Date:	21/04/04	Titre:	PLANÇON - 4K CCU SHIELDING CLOSING CAP +X									
Edité:	CLAVEL-P	Date:	21/04/04	Code feuille:	1									
<table border="1"> <thead> <tr> <th colspan="3">NUMERO DE DOCUMENT</th> </tr> <tr> <th>NUMERO DE REPRESENTATION</th> <th>TYPE</th> <th>Ed. / Rev.</th> </tr> </thead> <tbody> <tr> <td>PLS114FA104FA</td> <td>DD01</td> <td>00 C</td> </tr> </tbody> </table>						NUMERO DE DOCUMENT			NUMERO DE REPRESENTATION	TYPE	Ed. / Rev.	PLS114FA104FA	DD01	00 C
NUMERO DE DOCUMENT														
NUMERO DE REPRESENTATION	TYPE	Ed. / Rev.												
PLS114FA104FA	DD01	00 C												

**ALCATEL**  
SPACE

F0278C



# PLANCK DRAWING

## CHANGE RECORD

DRAWING TITLE                    4K CCU SHIELDING - CLOSING CAP -X                    Date: 07/06/2004

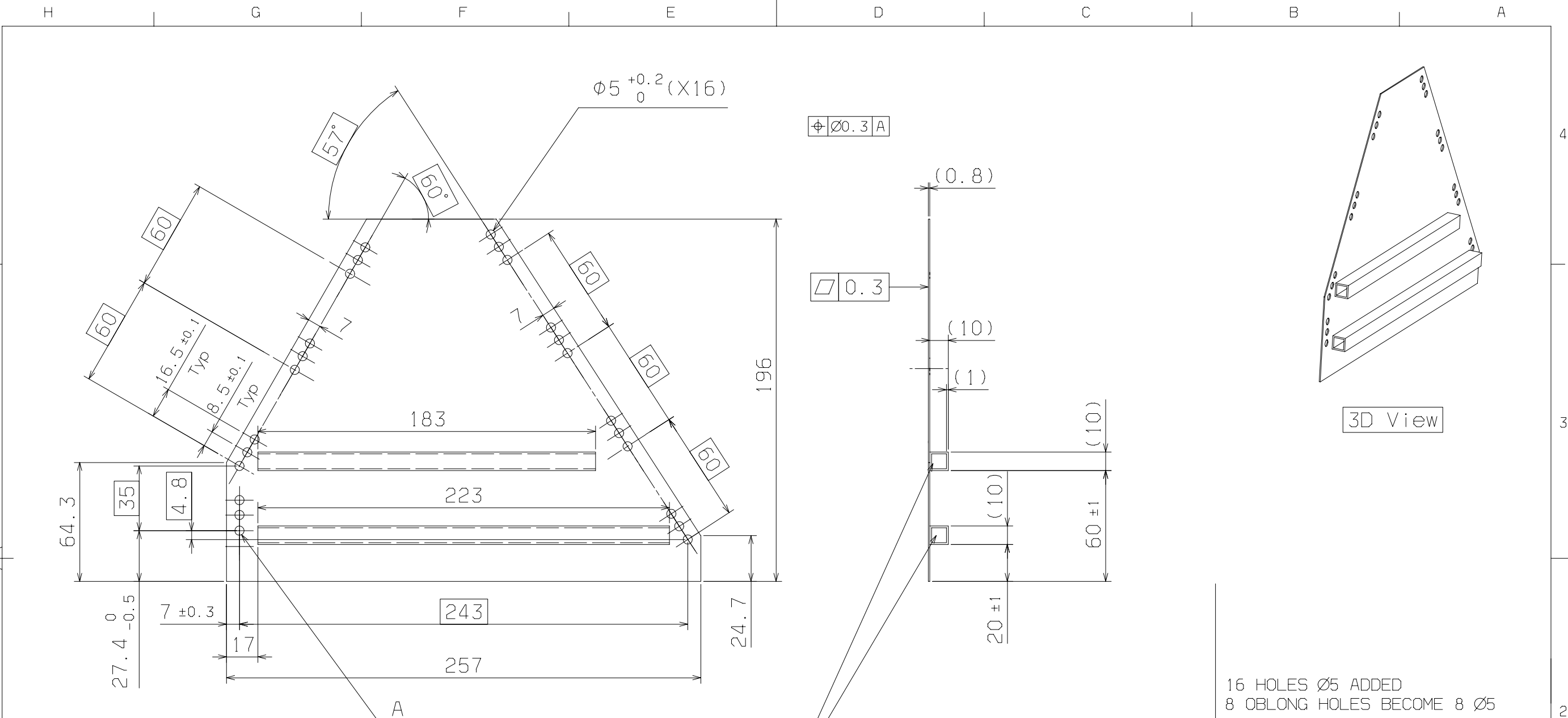
REFERENCE DRAWING    ME.PLS.114F.A.105FA                    Indice: B

NUMBER OF SHEET            1

Ind	Date	Modifications	Approbation
A	21/04/2004	INITIAL DRAWING	
B	07/06/2004	16 holes dia. 5 added  8 oblong holes become 8 holes dia. 5	

Ce document est la propriété de la Société ALCATEL SPACE. Il ne peut être ni reproduit, ni communiqué à des tiers sans autorisation écrite d'une personne mandatée spécialement à cet effet par la Société.

c111291 FRAME 1 JUNE 10, 2004 09.25.58



Material : Mu-Metal Th: 0,8 mm.  
 Reinforcement : 304L profile 10x10x1.  
 Typical folding radius 0,8 mm.  
 Welding assembly.

Visa PROJET:	Visa CONFIG:

16 HOLES Ø5 ADDED  
 8 OBLONG HOLES BECOME 8 Ø5

DETROMPAGE	<input type="checkbox"/> OUI <input type="checkbox"/> NON	Ed./Rev.	Zones	Visa	Date	Verification	Dessinateur
IMPACT SUR PROCEDURE D'INTEGRATION	<input type="checkbox"/> <input type="checkbox"/>	B	-	CLAVEL-P	8/06/04	CLAVEL-P	BENET-E
MODIFICATIONS							
CE PLAN A ETE REALISE EN CAO SOUS LE NUMERO: ME.PLS.114F.A.105FA.B (DRAFT D1) TOUTE MODIFICATION DOIT ETRE EFFECTUEE PAR L'INTERMEDIAIRE DU SYSTEME CATIA							
-ETAT DE SURFACE SELON ASN 003.06 SAUF SPECIFICATION: -CASSER TOUT ANGLE VIF: -CONGES D'OUTILS NON COTES:				Ra		FILETAGES -PROFIL ISO NF L 05220 TOLERANCES NF L 05223 SAUF SPECIFICATION PARTICULIERE -FILETAGE 4 h -TARAUDAGE 5 H	
MATERIE		MAROUAGE ASN-003.08		TRAITEMENT		TOLERANCES GENERALES DE FABRICATION ASN 211.00 (Nominales) ASN 211-05 (Etangres)	
Dess. MARTIN.D	Date: 21/04/04	See drawing		FINITION			
Verif. MARCHAND.B	Date: 21/04/04	Echelle	TITRE		FT	FEUILLE	
Calcul	Date:	-	PLANCK - 4K CCU SHIELDING CLOSING CAP -X		2	1	
Visa CLAVEL.P	Date: 21/04/04	Code famille		NUMERO DE DOCUMENT			
ALCATEL SPACE				NUMERO DE REPRESENTATION			
F0278C				PLS114FA105FA		DD01 00 B	
				TYPE		Ed. Rev.	
				DD01		00 B	

# PLANCK DRAWING

## CHANGE RECORD

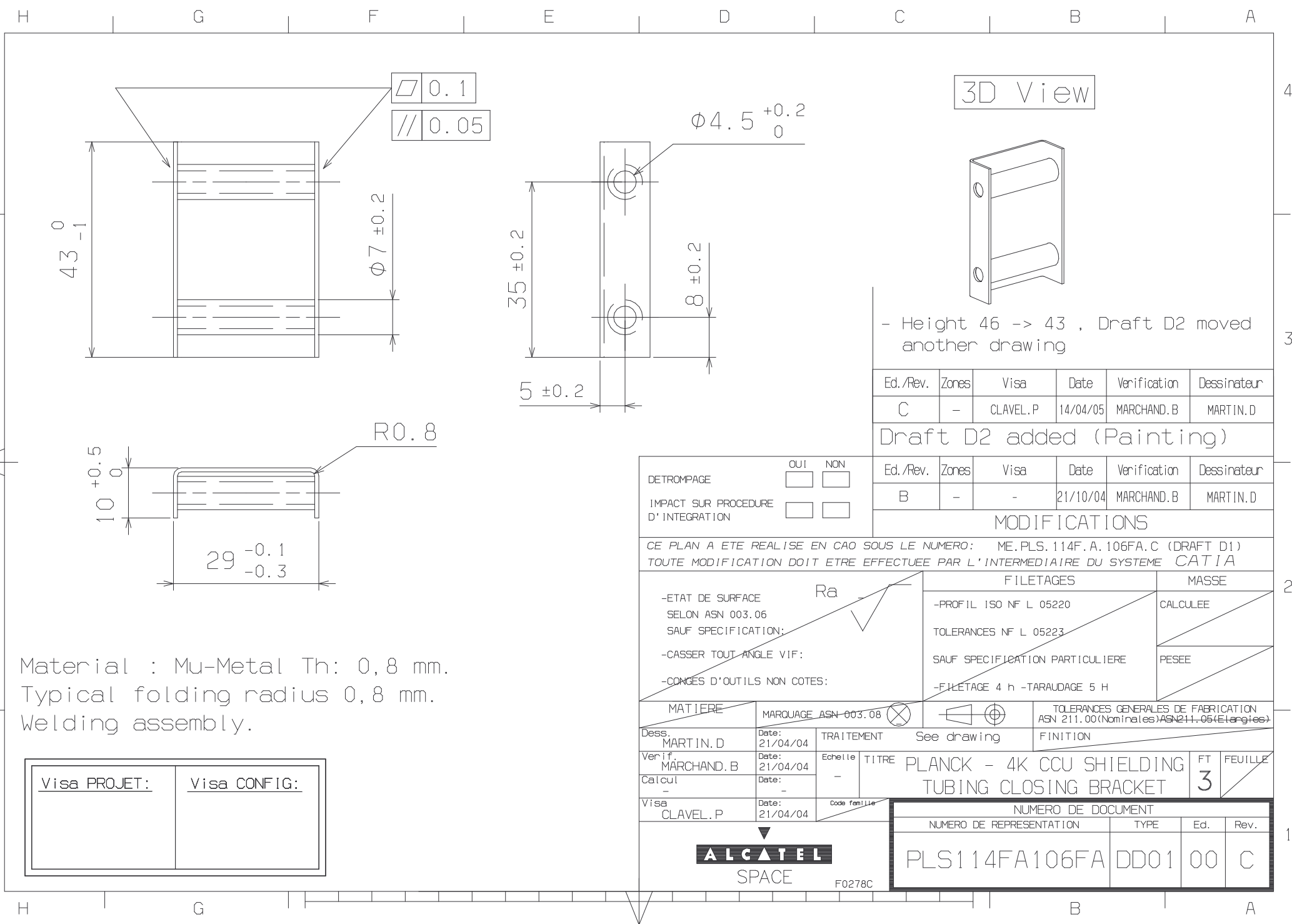
**DRAWING TITLE**                      4K CCU SHIELDING - TUBING CLOSING BRACKET **Date: 15/04/2005**

**REFERENCE DRAWING**    ME.PLS.114F.A.106FA                      **Indice: C**

**NUMBER OF SHEET**            1

<b>Ind</b>	<b>Date</b>	<b>Modifications</b>	<b>Approbation</b>
A	21/04/2004	INITIAL DRAWING	
B	21/10/2004	DRAFT D2 ADDED	
C	15/04/2005	HEIGHT 46 -> 43 , DRAFT D2 MOVED TO ANOTHER DRAWING	

Ce document est la propriété de la Société ALCATEL SPACE.  
 Il ne peut être ni reproduit, ni communiqué à des tiers sans autorisation  
 écrite d'une personne mandatée spécialement à cet effet par ladite société



Material : Mu-Metal Th: 0,8 mm.  
 Typical folding radius 0,8 mm.  
 Welding assembly.

Visa PROJET:	Visa CONFIG:

Ed./Rev.	Zones	Visa	Date	Verification	Dessinateur
C	-	CLAVEL.P	14/04/05	MARCHAND.B	MARTIN.D

Draft D2 added (Painting)

Ed./Rev.	Zones	Visa	Date	Verification	Dessinateur
B	-	-	21/10/04	MARCHAND.B	MARTIN.D

**MODIFICATIONS**

CE PLAN A ETE REALISE EN CAO SOUS LE NUMERO: ME.PLS.114F.A.106FA.C (DRAFT D1)  
 TOUTE MODIFICATION DOIT ETRE EFFECTUEE PAR L'INTERMEDIAIRE DU SYSTEME CATIA

-ETAT DE SURFACE SELON ASN 003.06 SAUF SPECIFICATION; -CASSER TOUT ANGLE VIF; -CONGES D'OUTILS NON COTES;	FILETAGES	MASSE
	-PROFIL ISO NF L 05220 TOLERANCES NF L 05223 SAUF SPECIFICATION PARTICULIERE -FILETAGE 4 h -TARAUDAGE 5 H	CALCULEE PESEE

MATIERE: MARQUAGE ASN 003.08 TOLERANCES GENERALES DE FABRICATION ASN 211.00 (Nominales) ASN 211.05 (Elargies)

Dess: MARTIN.D	Date: 21/04/04	TRAITEMENT: See drawing	FINITION
Verif: MARCHAND.B	Date: 21/04/04	Echelle: -	TITRE: PLANCK - 4K CCU SHIELDING TUBING CLOSING BRACKET
Calcul: -	Date: -	Code famille: -	FT: 3 FEUILLE
Visa: CLAVEL.P	Date: 21/04/04	NUMERO DE DOCUMENT	



F0278C

NUMERO DE REPRESENTATION	TYPE	Ed.	Rev.
PLS114FA106FA	DD01	00	C

# PLANCK DRAWING

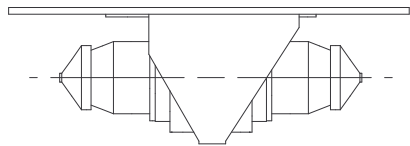
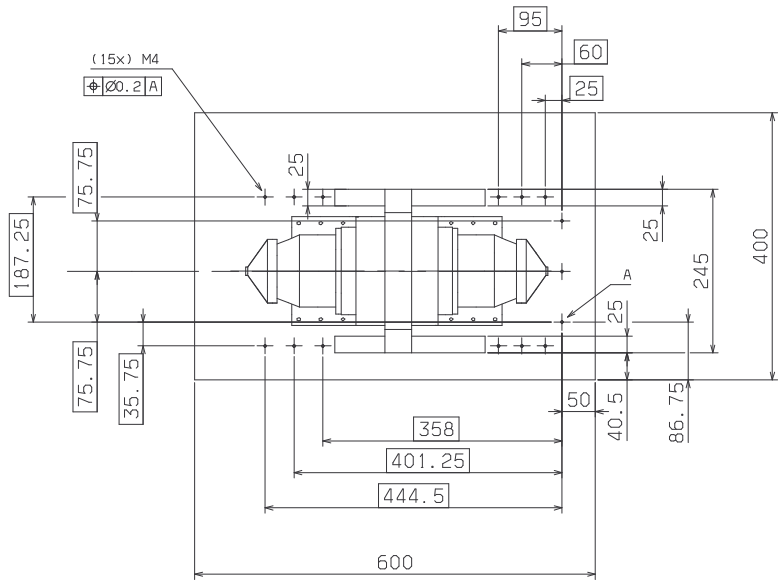
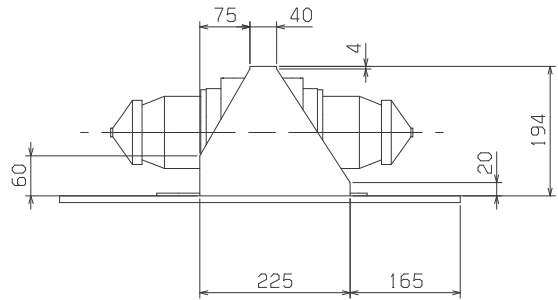
## CHANGE RECORD

DRAWING TITLE            4K CCU SHIELDING - ASSEMBLY JIG            Date: 13/05/2005

REFERENCE DRAWING    ME.PLS.1410.A.000FA            Indice: -

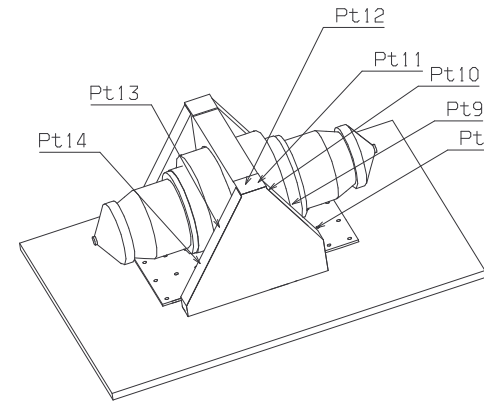
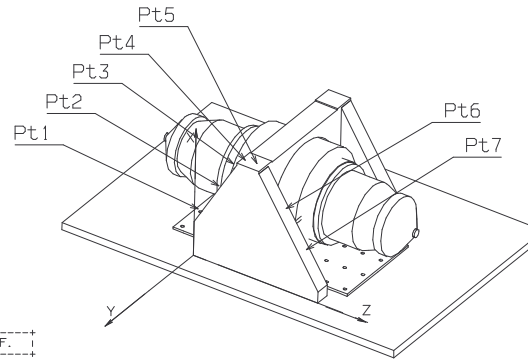
NUMBER OF SHEET      1

Ind	Date	Modifications	Approbation
-	13/05/2005	INITIAL DRAWING	



POINTS COORDINATES

REF.	X REF.	Y REF.	Z REF.
PT01	72.761	-10.000	7.362
PT02	133.617	-10.000	42.471
PT03	176.775	-10.000	67.370
PT04	194.000	-10.000	84.578
PT05	194.000	-10.000	105.456
PT06	133.333	-10.000	151.667
PT07	76.667	-10.000	188.333
PT08	72.761	-235.000	7.362
PT09	133.617	-235.000	42.471
PT10	176.775	-235.000	67.370
PT11	194.000	-235.000	84.578
PT12	194.000	-235.000	105.456
PT13	133.333	-235.000	151.667
PT14	76.667	-235.000	188.333



Visé PROJET:	Visé CONFIG:
--------------	--------------

DETROMPAGE	<input type="checkbox"/> OUI <input type="checkbox"/> NON	Ed./Rev.	Zones	Visé	Date	Verification	Dessinateur
IMPACT SUR PROCEDURE D'INTEGRATION	<input type="checkbox"/>	-	-	-	-	-	-
MODIFICATIONS							
CE PLAN A ETE REALISE EN CAO SOUS LE NUMERO: ME_PLS_1410_A_000FA - (DRAFT D1)							
TOUTE MODIFICATION DOIT ETRE EFFECTUEE PAR L'INTERMEDIAIRE DU SYSTEME CATIA							
FILETAGES				MASSE			
-ETAT DE SURFACE Ra				-PROFIL 150 NF L 0620			
-SAUF SPECIFICATION:				CALCULEE			
-CASSER TOUT ANGLE VIF:				SAUF SPECIFICATION PARTICULIERE			
-CONES D'OUTILS NON COTES:				-ELETAGE 4 h -TARANUAGE 5 H			
MATERIE		MARQUAGE ASN 003.08		TOLERANCES GENERALES DE FABRICATION		ASN Z11.001(Norm ISO)Z11.05(EN ISO)	
Dess: MARTIN, D		Date: 13/05/05		TRAITEMENT		FINITION	
Verif: MARCHAN, D		Date: 13/05/05		Echelle		TITRE	
Calcul: CLAVEL, P		Date: 13/05/05		4K CCU SHIELDING ASSEMBLY JIG		FT	
Visé: CLAVEL, P		Date: 13/05/05		NUMERO DE DOCUMENT		TYPE	
A L C A T E L		SPACE		PLS1410A000FA		DD01 00	
F0278C		Ed.		Rev.		-	

Ce document est la propriété de la Société ALCTEL SPACE.  
 Il ne peut être ni reproduit, ni communiqué à des tiers sans autorisation  
 écrite de la Société ALCTEL SPACE.