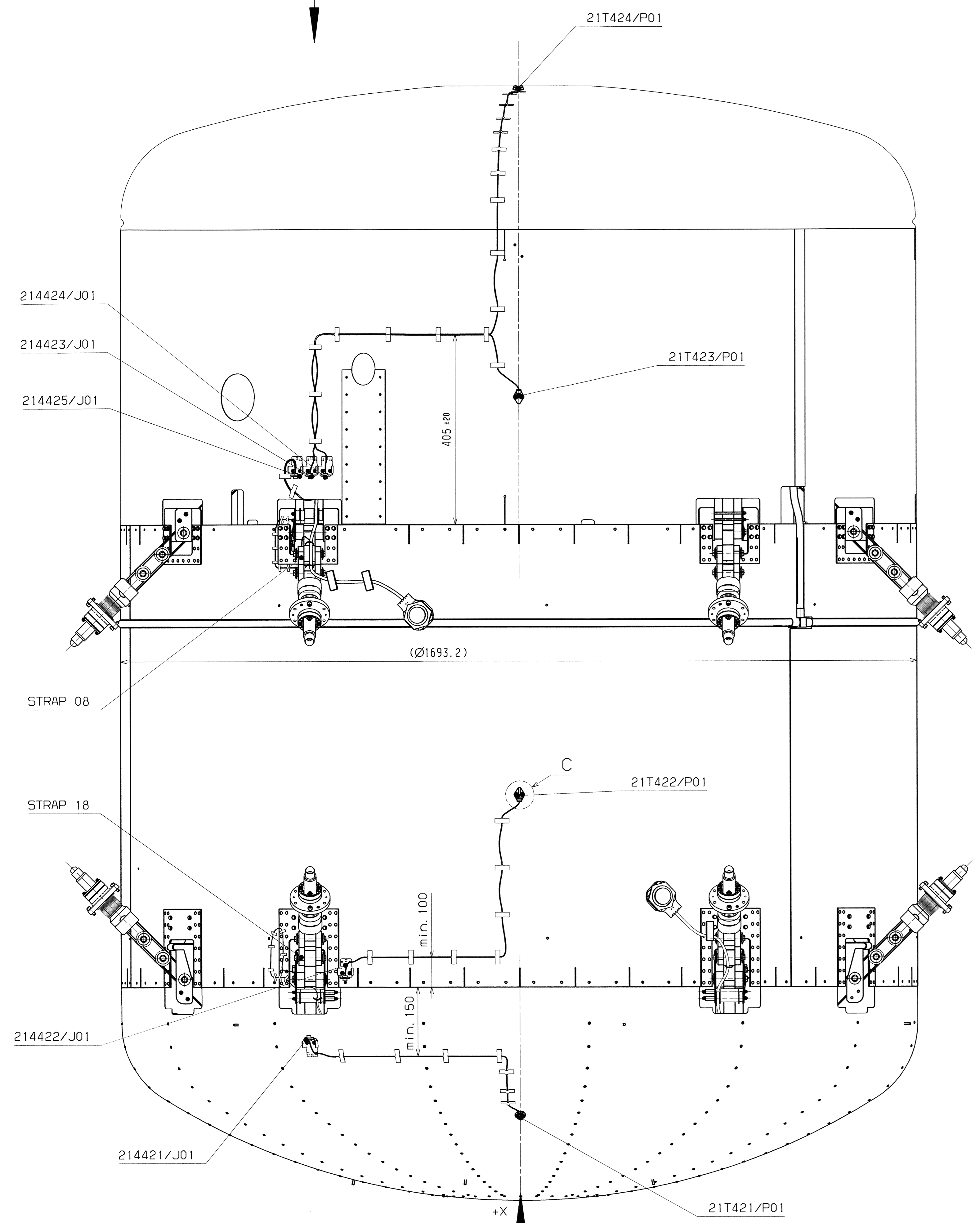
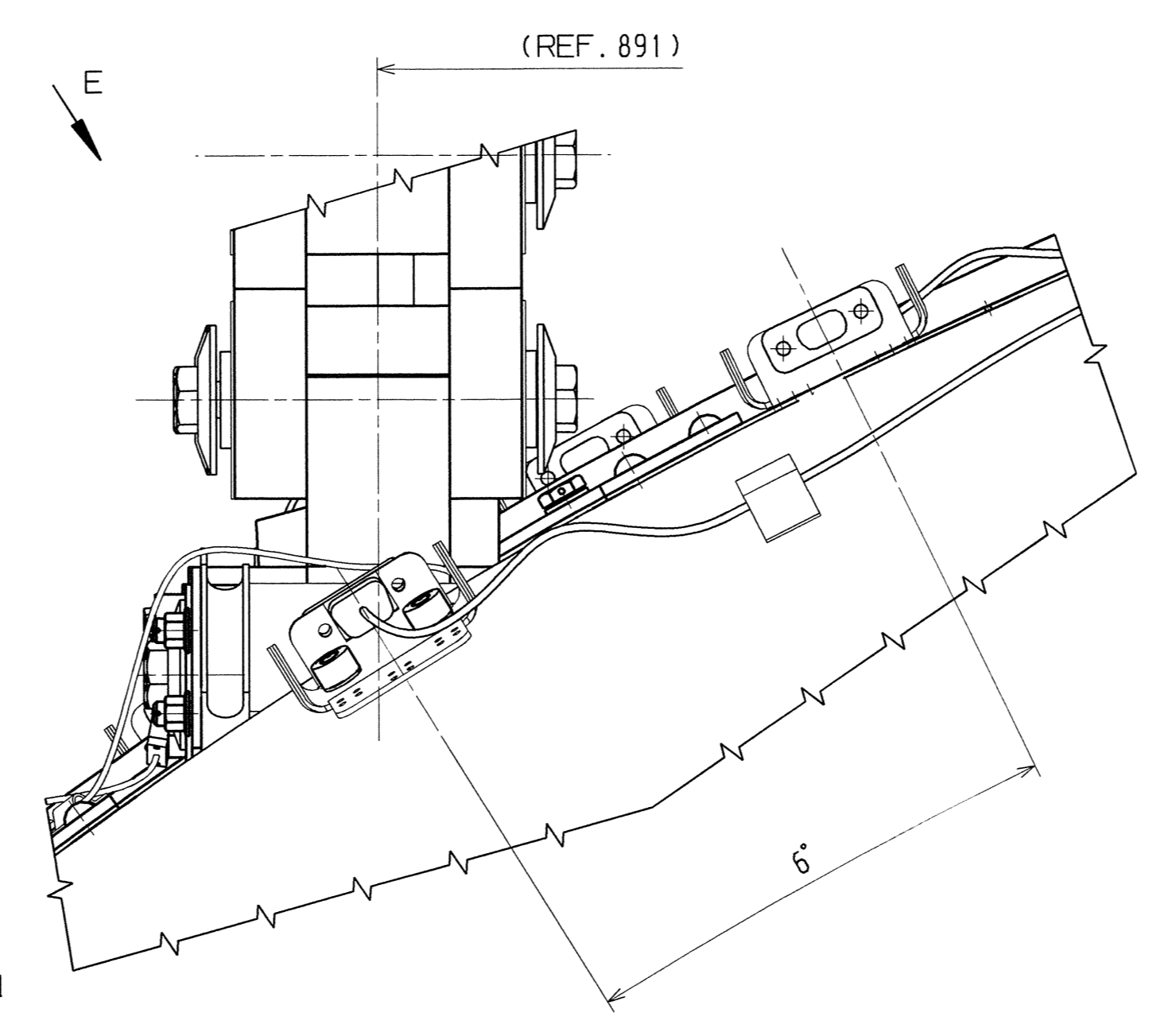


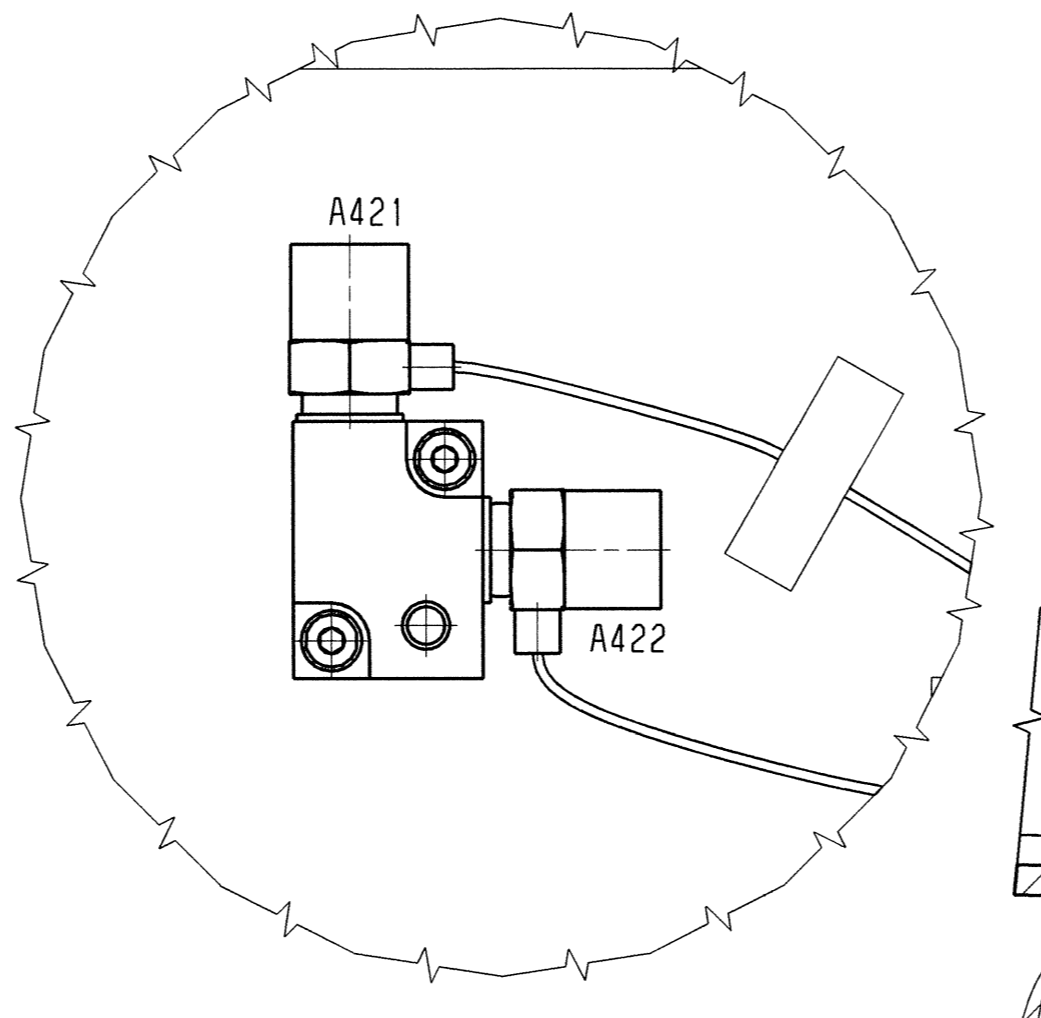
1. THERMAL SHIELD



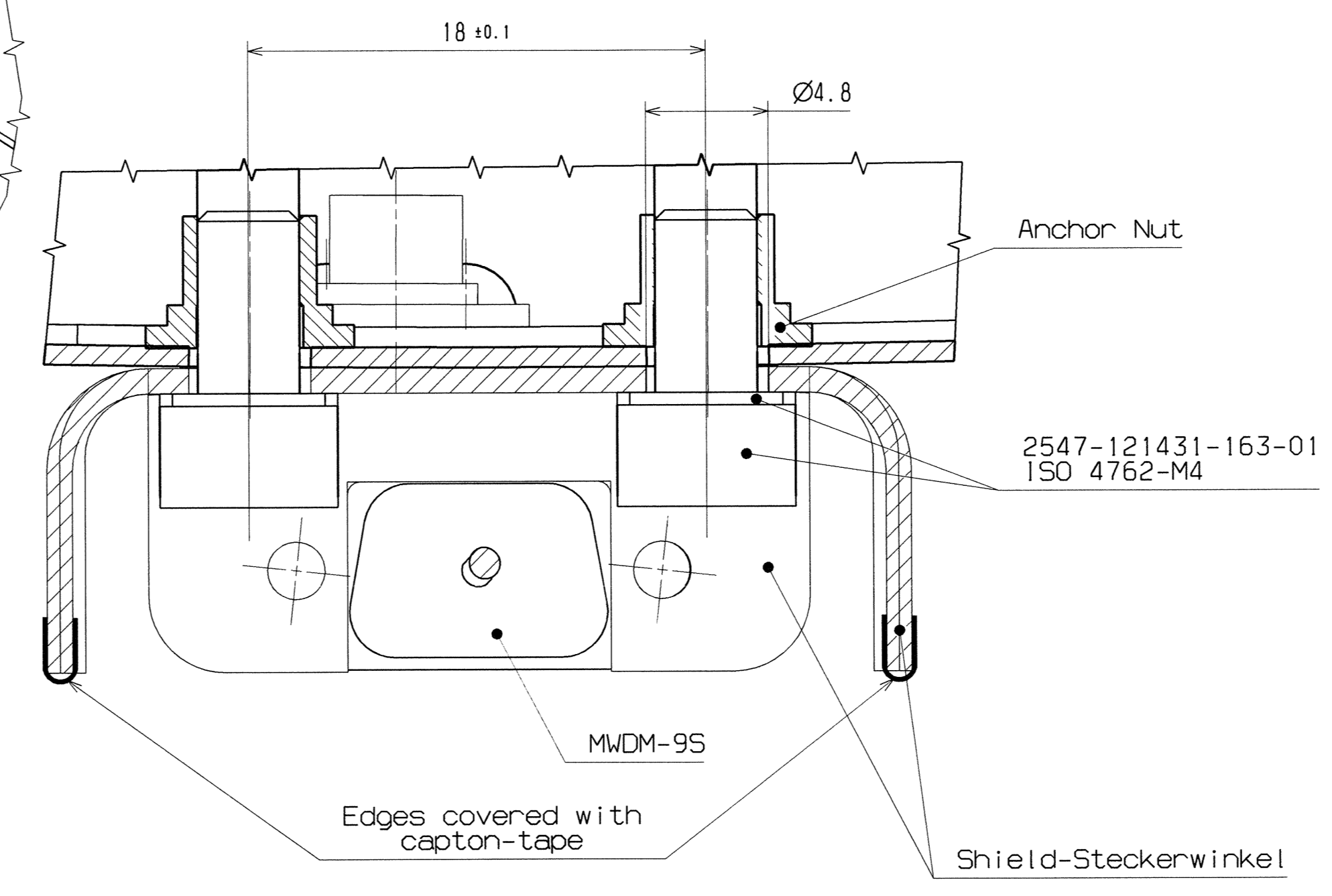
VIEW B SCALE 1:1



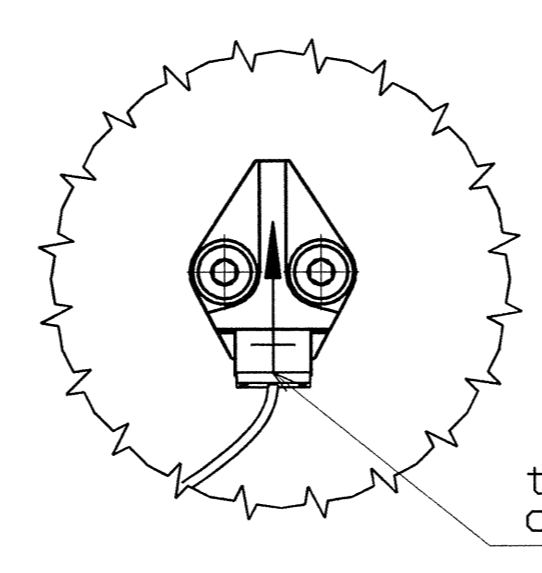
DETAIL G SCALE 1:1



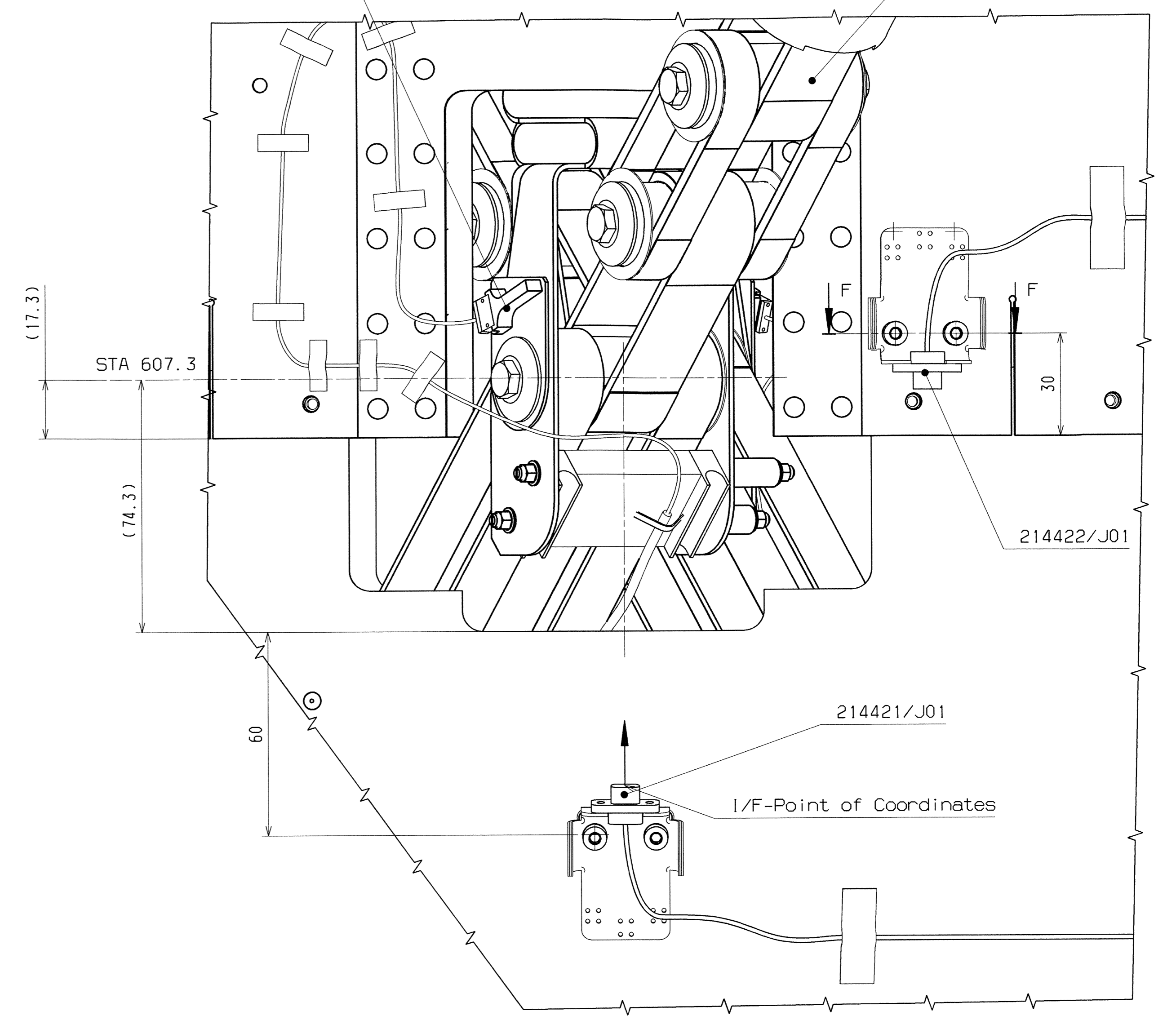
SECTION F-F SCALE 5:1



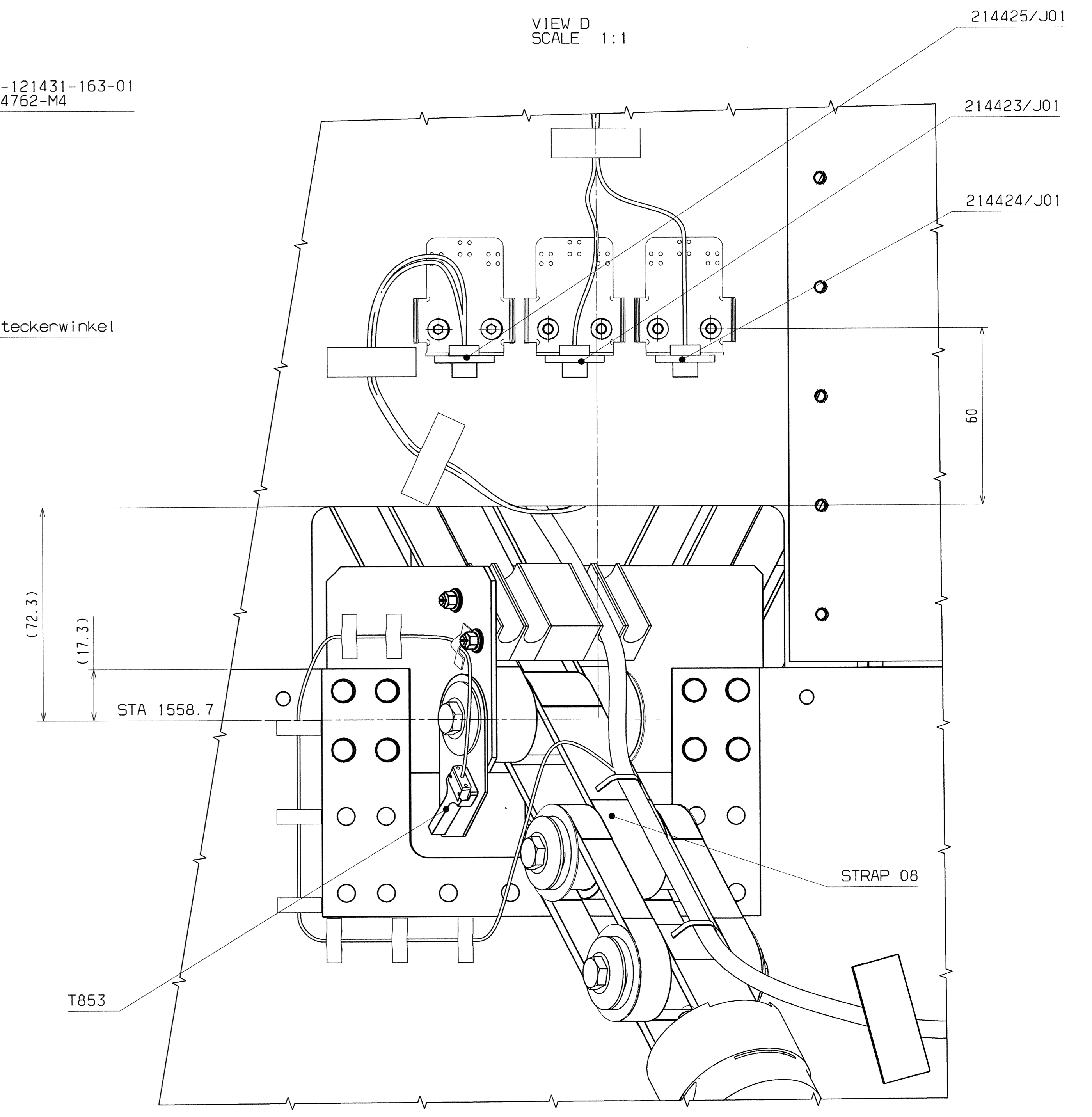
DETAIL C SCALE 1:1



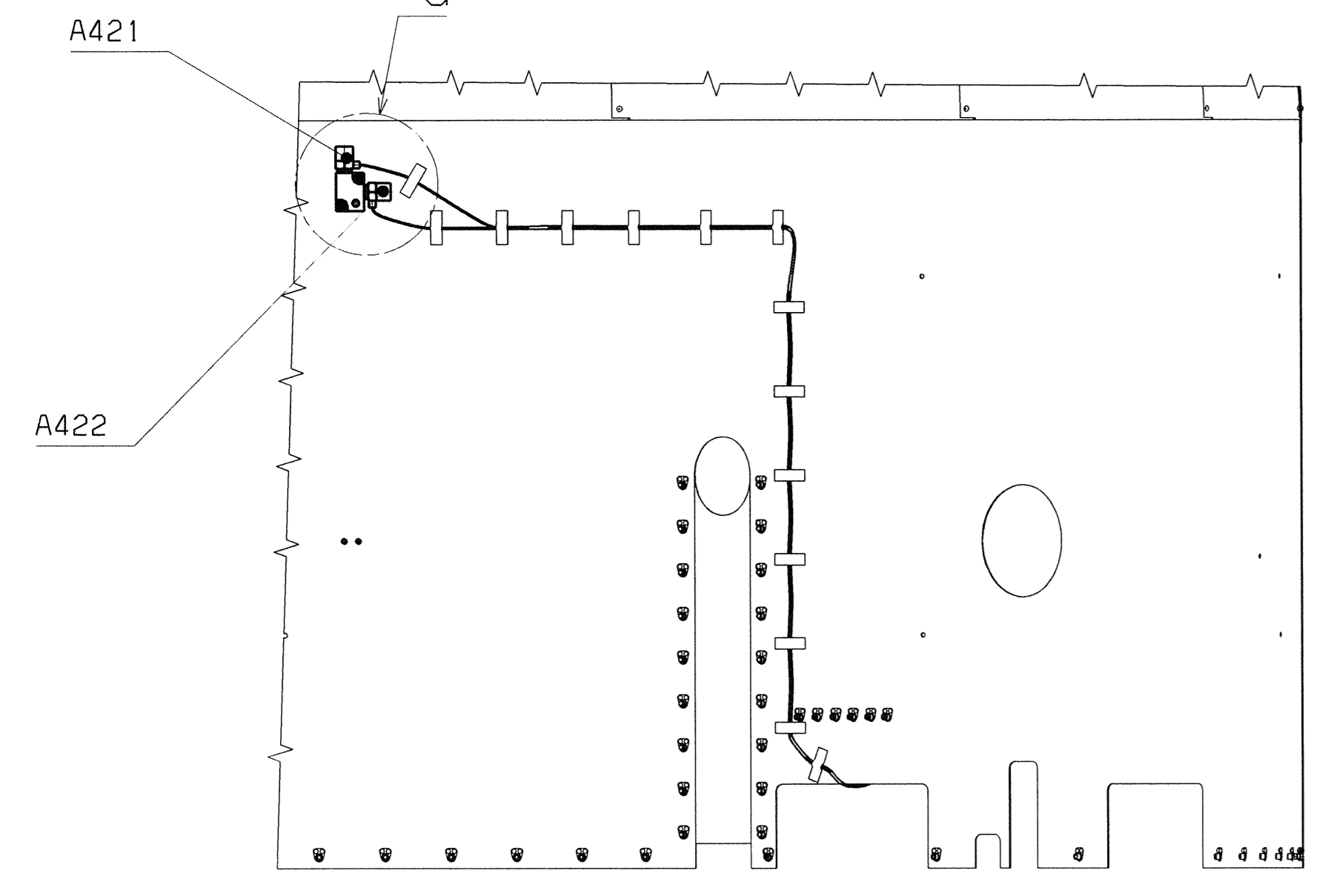
VIEW E SCALE 1:1



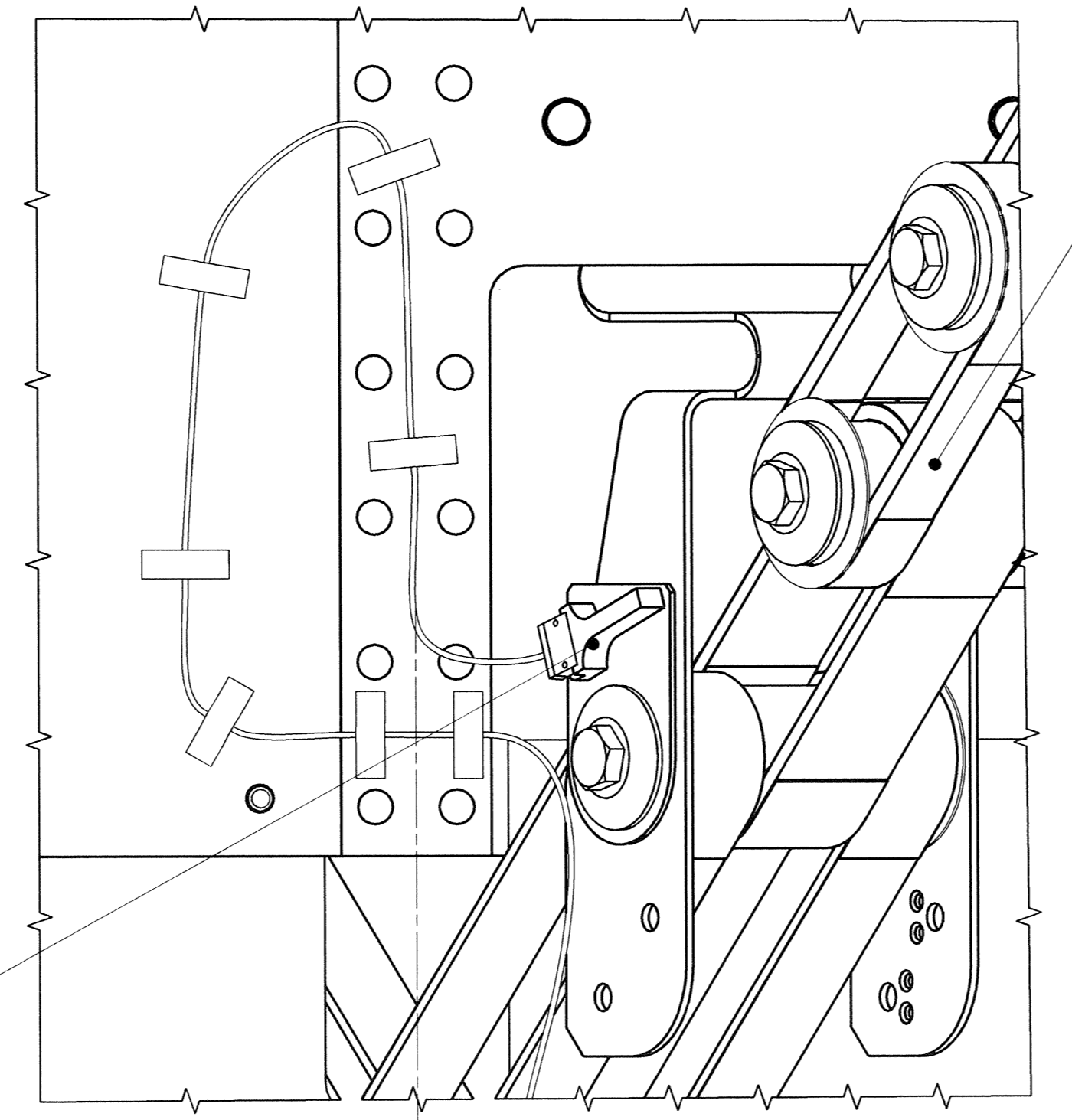
VIEW D SCALE 1:1



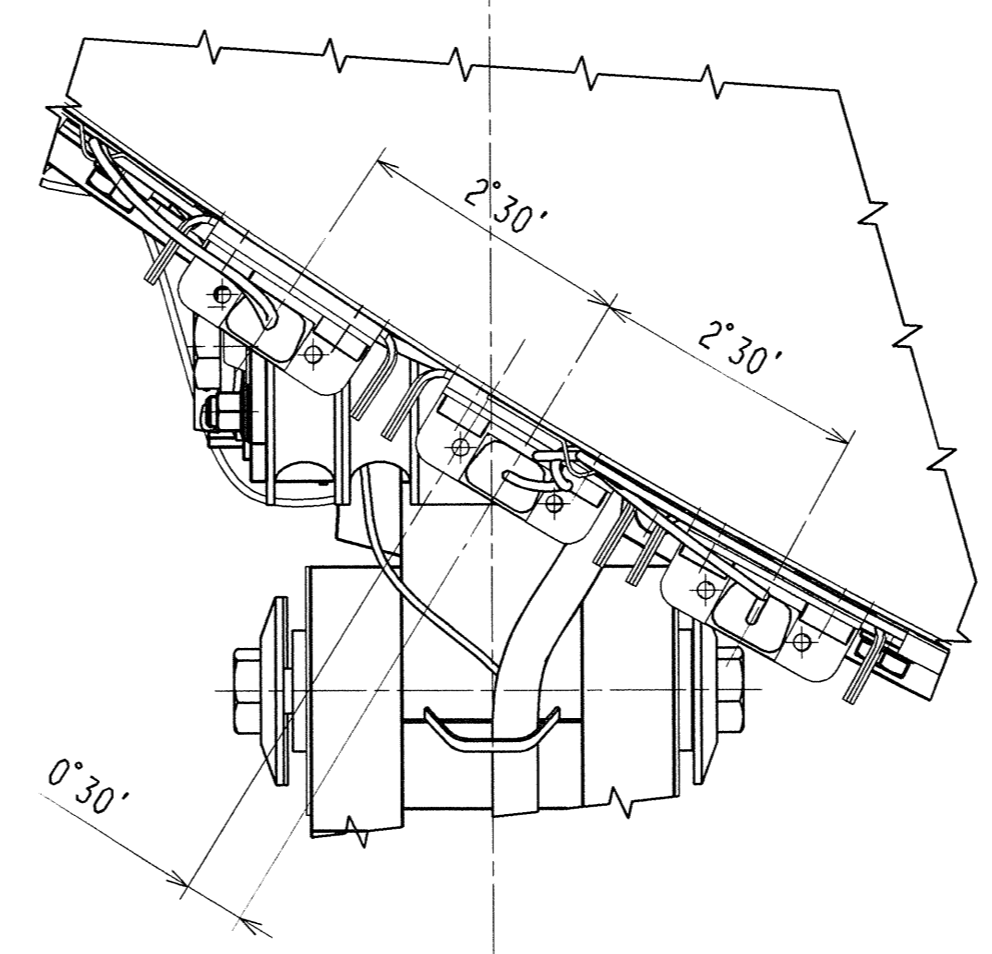
INSIDE 1. UPPER TH. SHIELD



DETAIL STRAP 14 SCALE 1:1



VIEW A SCALE 1:1



undimensionated Harnessrouting according views

CCH on Thermal Shield 1

100 mm im Masstab 1:1		SPRE-AST-DWG-002443	
PROJ. NR.	HP-2-ASED-10-0085-16-0C	REF. AL. NR.	C1 121430
DESIGN. NR.	LN 1356	DIA. ABW.	
GEPR. NR.	LN 1356	DIA. ABW.	
MASSSTAB	1:5	REVISION	
WERTSTUF			
ENG.	17.09.83	Gepr. von	
TP 28			
HERSCHEL PFM CRYOSTAT HARNESS INTERNAL CCH & SIH		2547-121430-100-16-0C	
EADS ASTRIUM		EADS ASTRIUM	

Legend:
○ Freigabe
○ Konstruktion
○ Fertigung
○ Strukturmechanik
○ Werkstoffe
○ Schweißen
○ AIT
○ Engineering
○ Produktüberwachung
○ Projektleitung

Drawing Change List

HP-2-ASED-ID-0085-16-0C: Herschel PFM Cryostat Harness INTERNAL CCH and SIH

Related Drawing Section	Objective	Grid location	Actual Status Issue C	Previous Status Issue B
Detail Strap 14	Text changed	L5	Text changed : T806 (HRN routing adapted)	T804
View D	Text changed	K12	Text changed : T853 (HRN routing adapted)	T851
View E	Sensor position	A12	Sensor Position T803 changed (HRN routing adapted)	
Inside 1.upp Sh	Sensor position	I1	Sensor Position A421 changed : +X direction (HRN routing adapted)	A421: Y direction
	new View	D7	new View : Detail G	