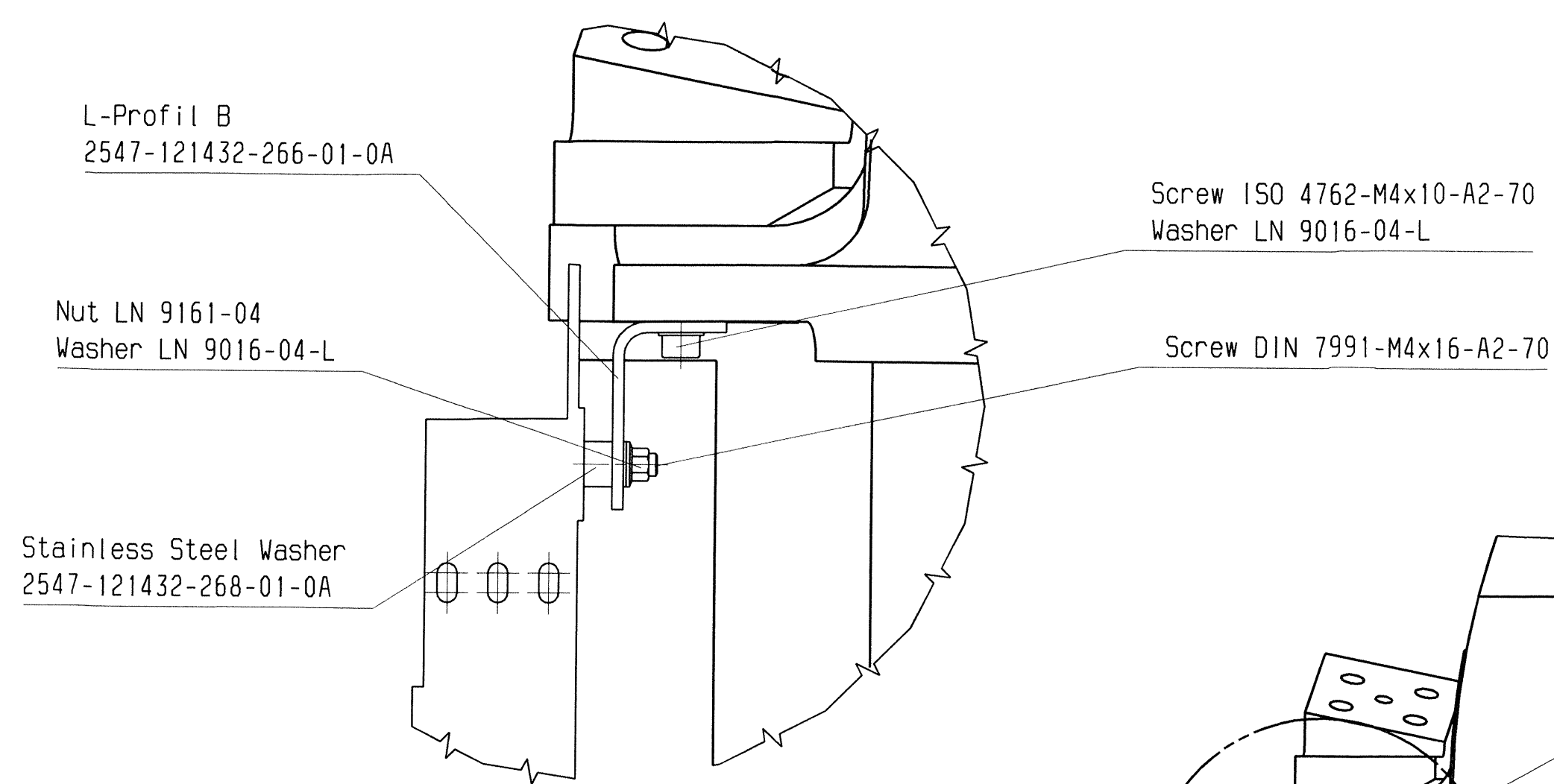
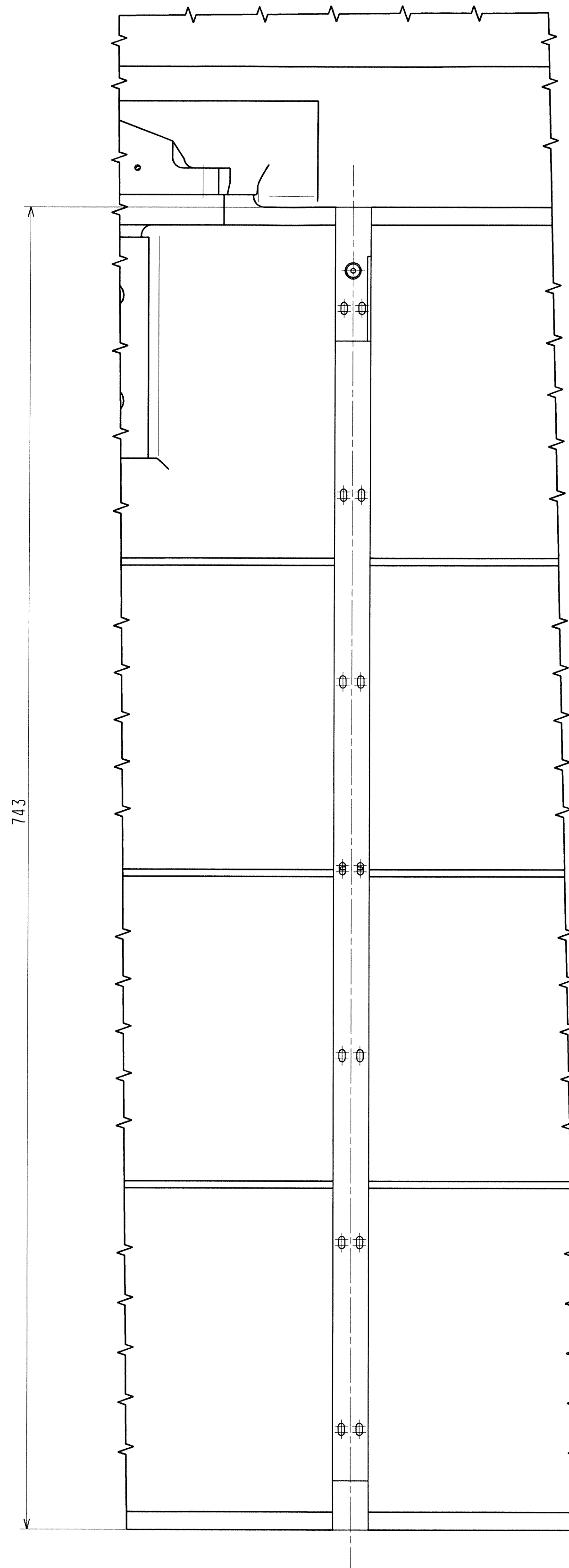


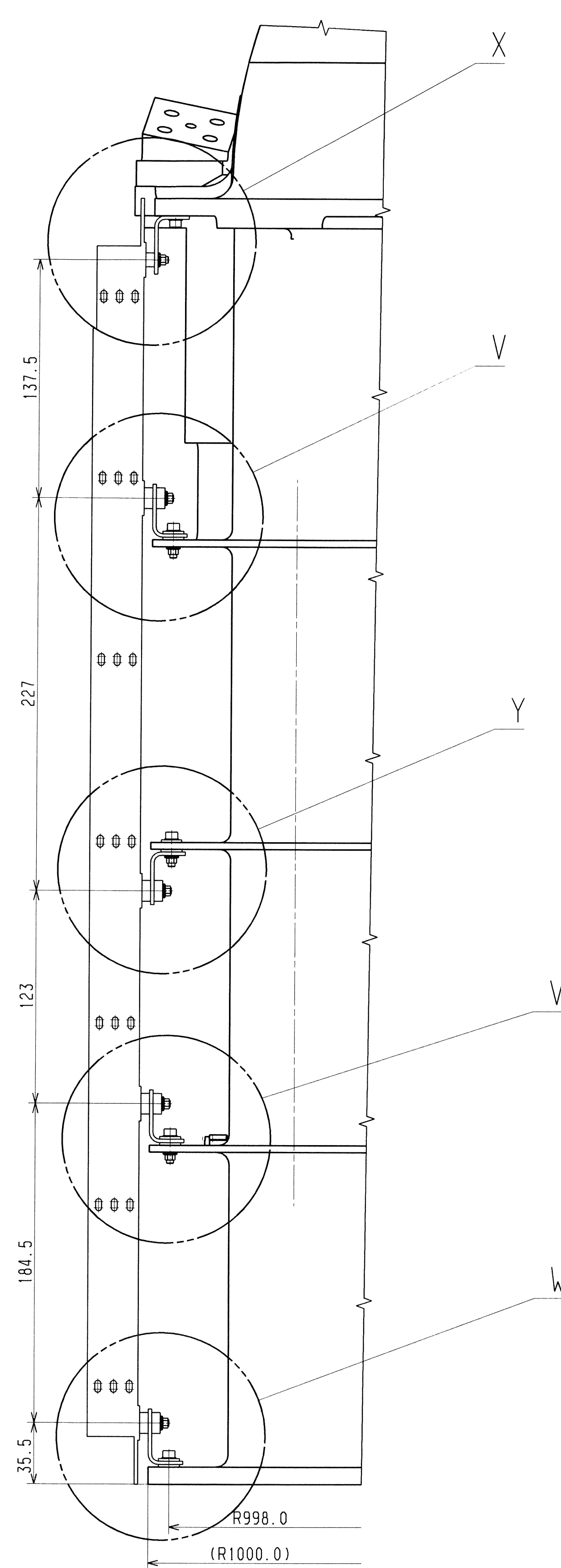
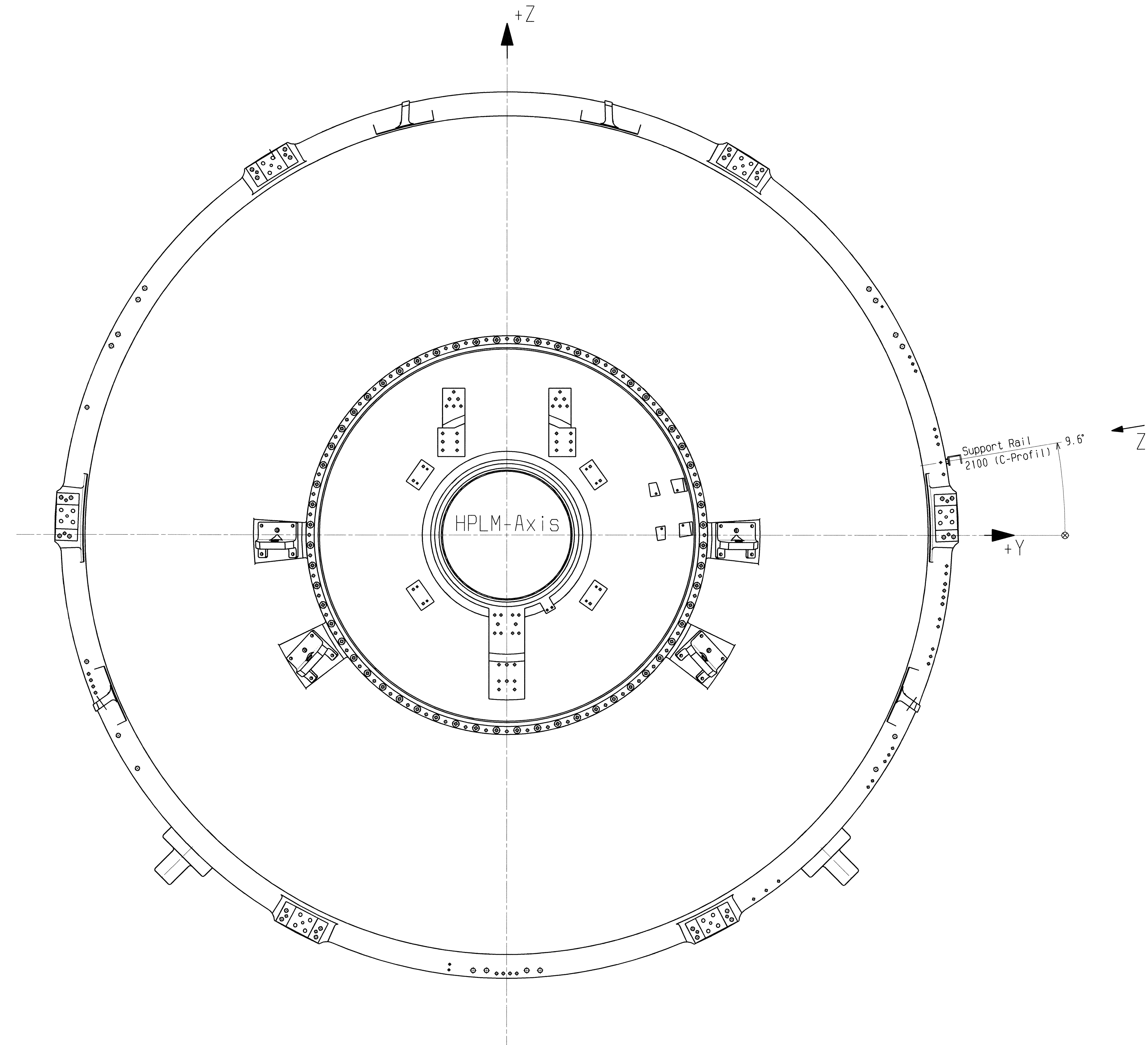
DETAIL X
M1:1



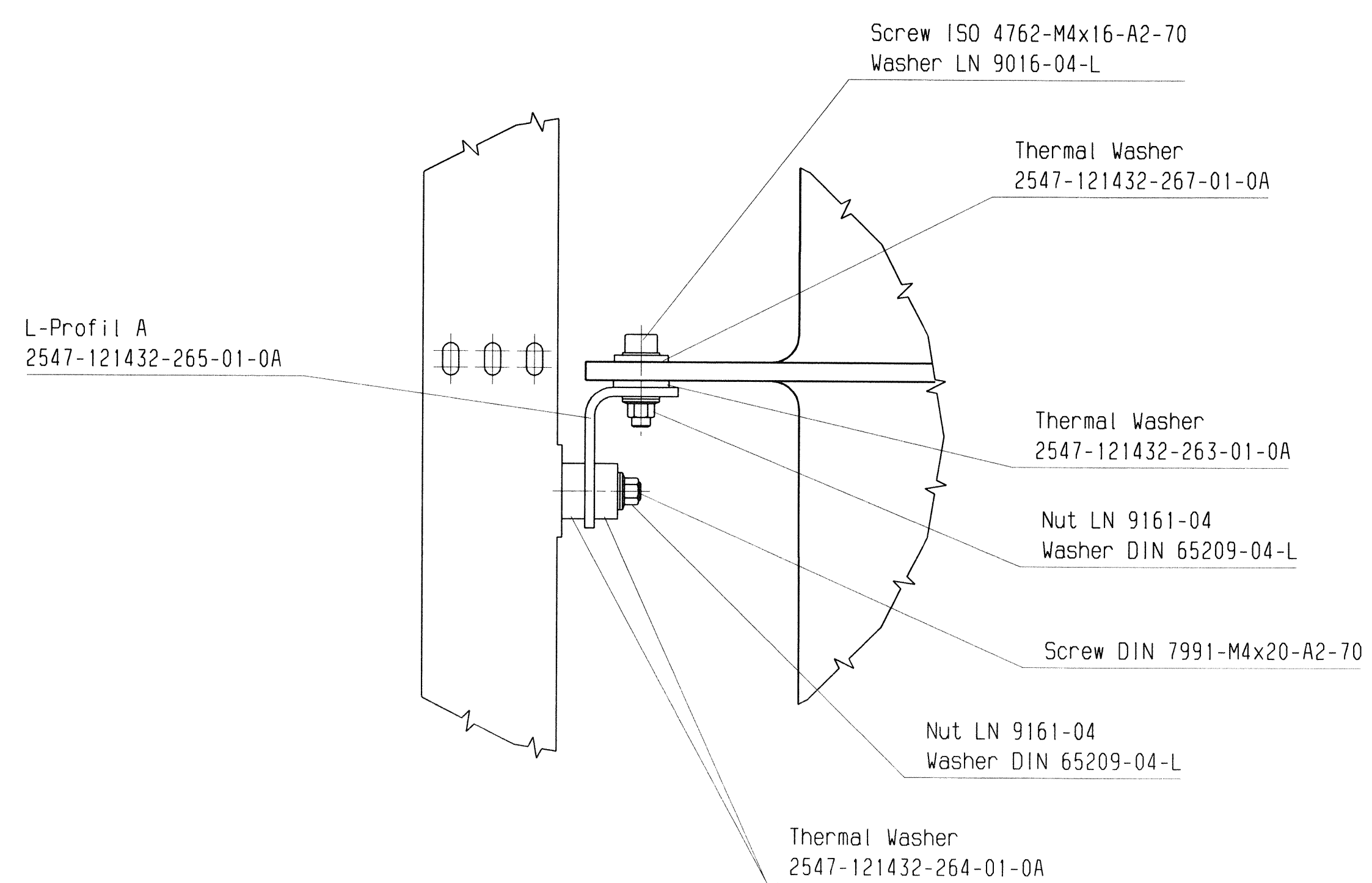
VIEW Z
M1:2
Typ. for Support Rail



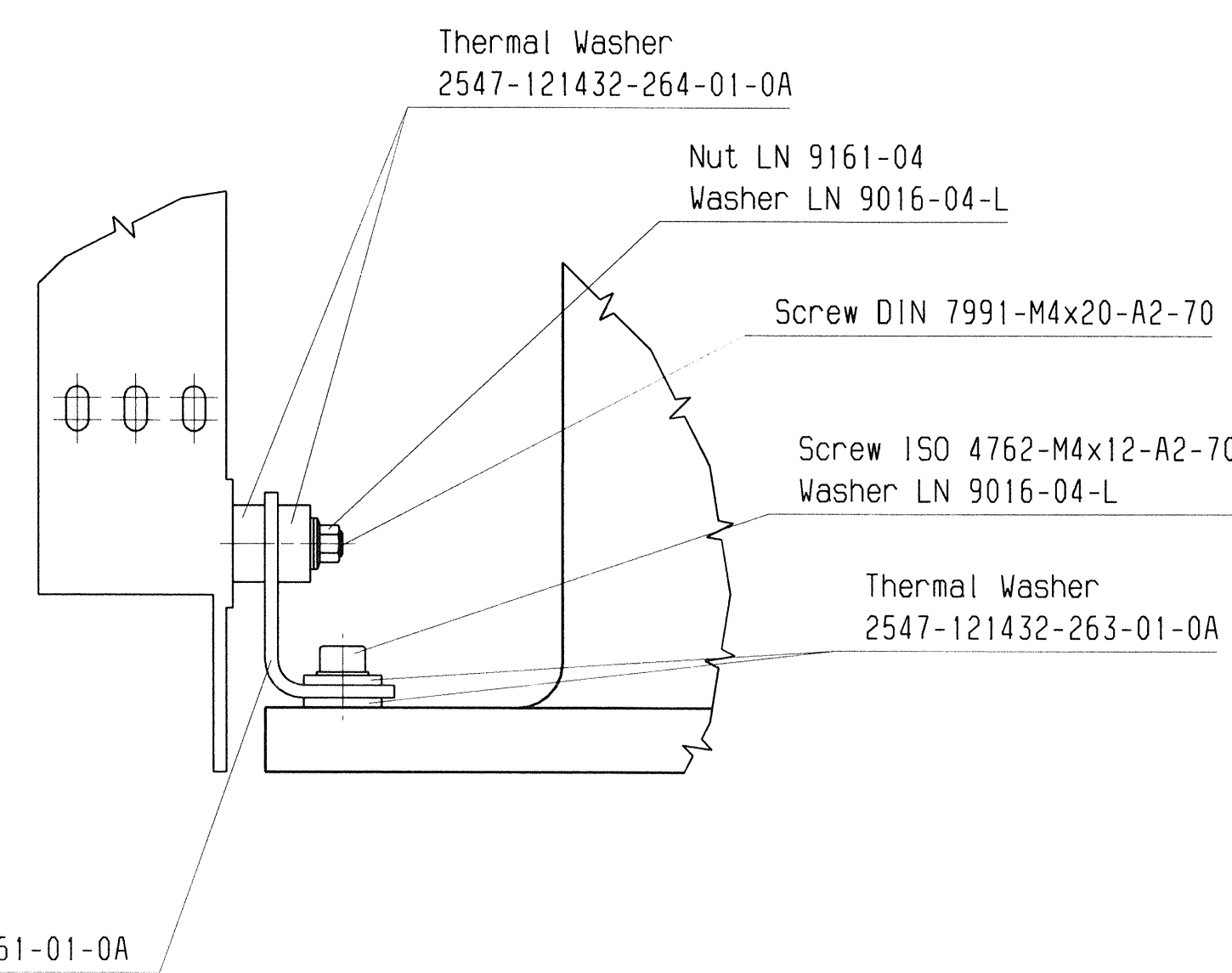
Support Rails for Harness on CVV Upper Bulkhead



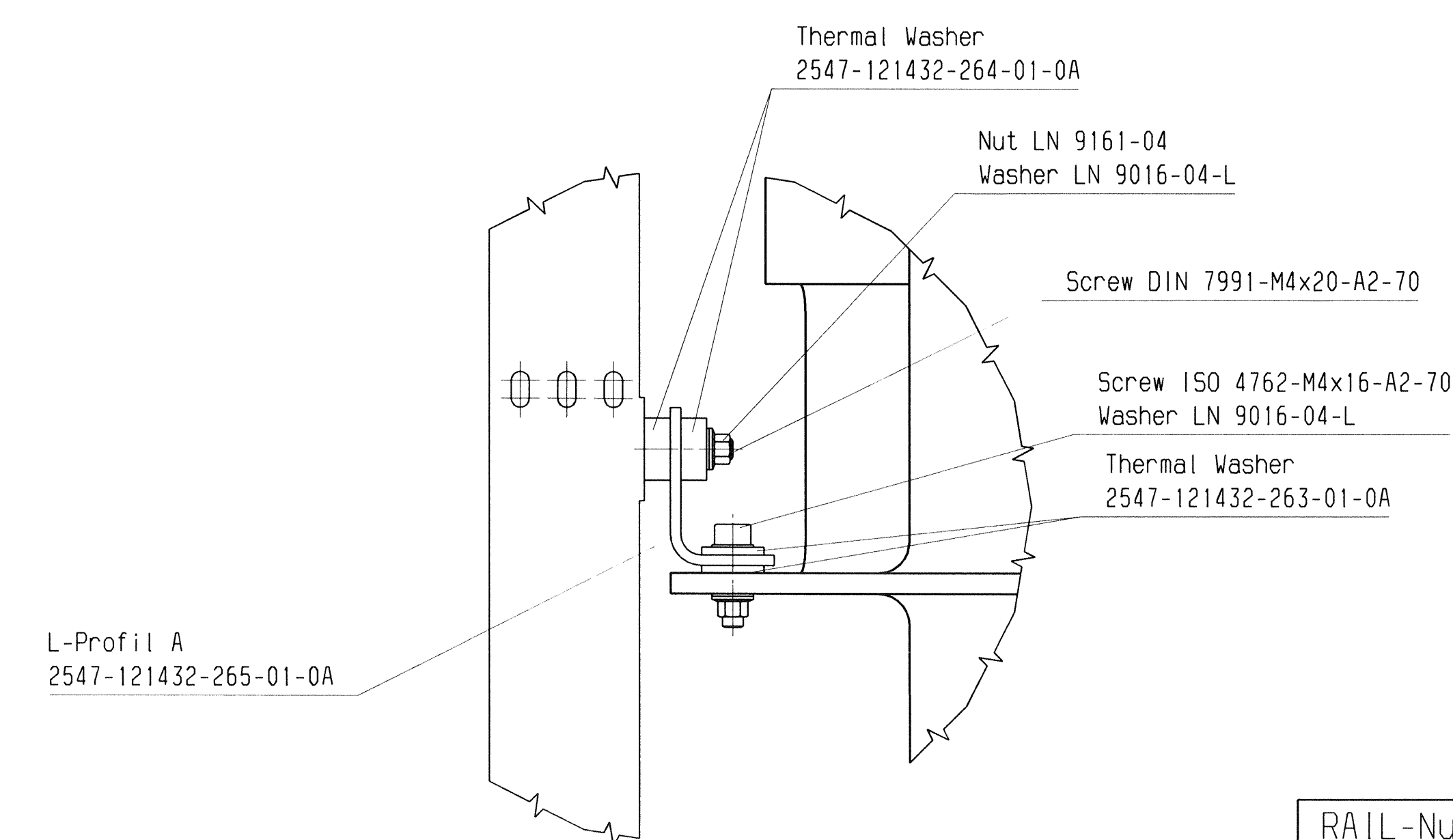
DETAIL Y
M1:1



DETAIL W
M1:1



DETAIL V
M1:1



SUPPORT RAIL DEFINITION

100 mm im Masstab 1:1

RAIL-Number	Drawing Number
2100	2547-121431-252-01-0A

FRIGABE	VERTEILER	DATUM
HP-2-ASED-10-0081-08-0C	C1-121430	06.09.03
ALUSGABE		
ZUL	ABW	OBERFL.
MASSTAB: 1:5 (1:2, 1:1)	GEW.	
VERKSTOFF:		
Herschel PFM CRYOSTAT HARNESS CWV EXTERNAL CCH & SIH		
astrium		
2547-121430-200-08-0C		
ERS. F.	ERS. D.	

Drawing Change List
HP-2-ASED-ID-0081-08-0C: CRYOSTAT HARNESS CVV EXTERNAL CCH and SIH

Related Drawing Section	Objective	Grid location	Actual Status Issue C	Previous Status Issue B
Detail Y	Detail Y	D14	Complete update	
Detail W	new Detail View	D10	new View : DETAIL W	
Detail V	new Detail View	D6	new View : DETAIL V	
Detail X	new Detail View	M14	new View : DETAIL X	
	new Table	D14	Table added : "RAIL-Nummber" , "Drawing Number"	
Top View	Upper Bulkhead	J2	Rail and Text deleted	Support Rail 2300 (C-Profil)