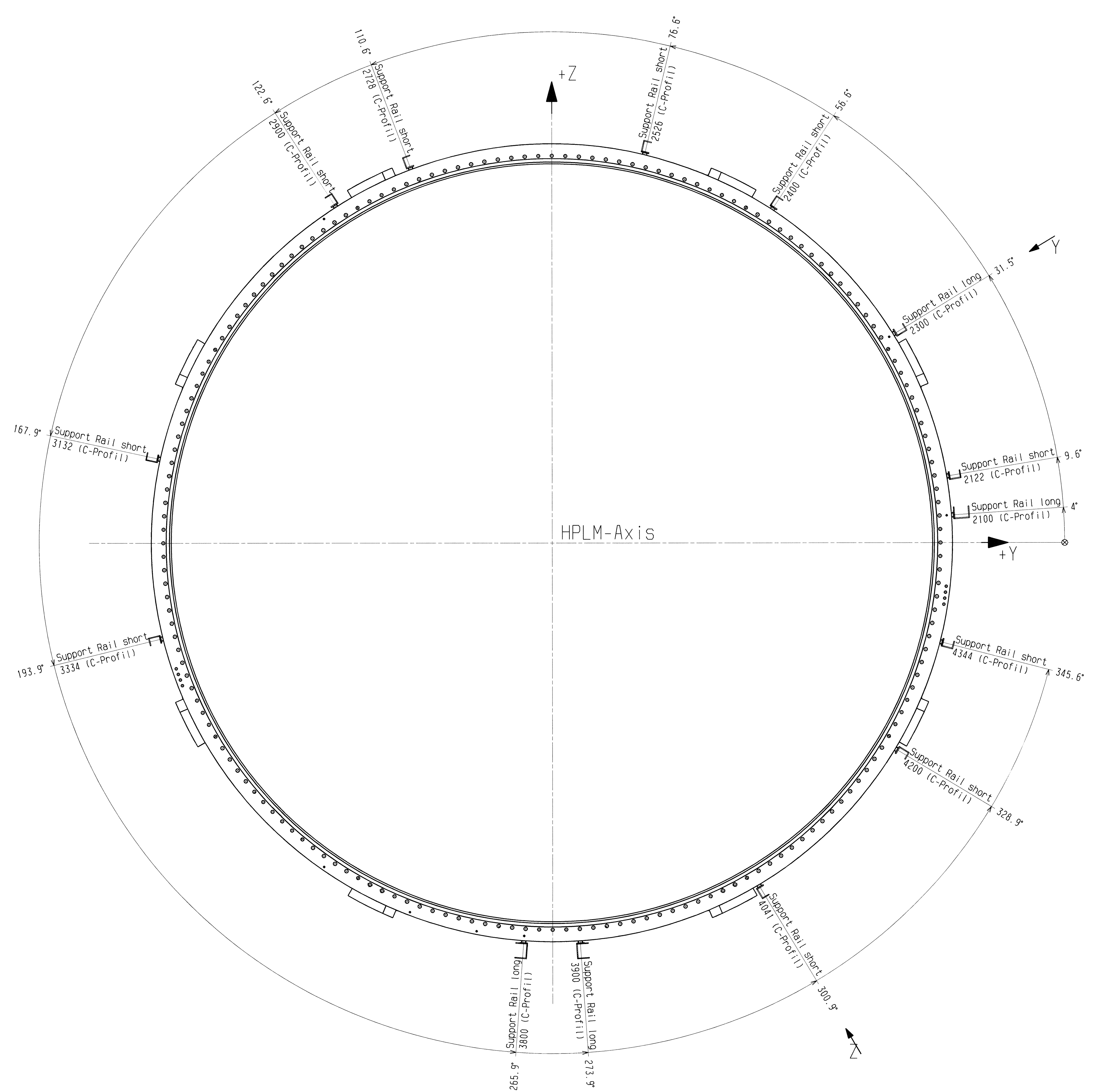
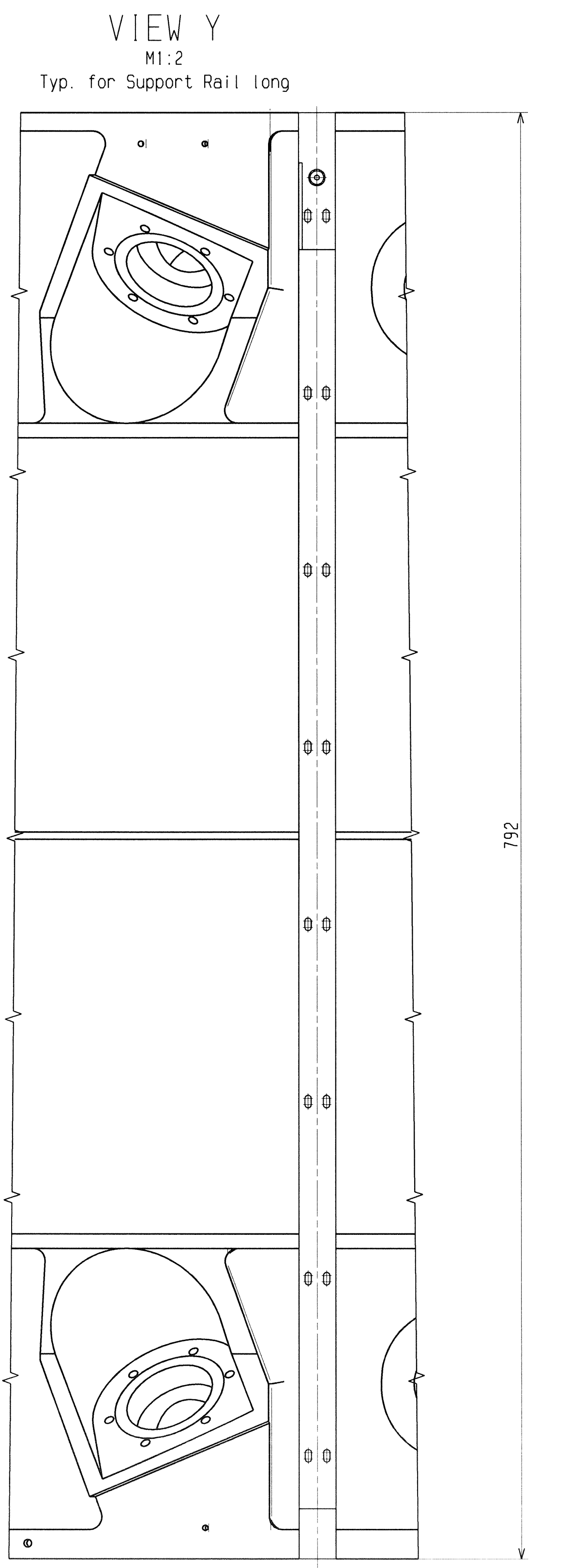
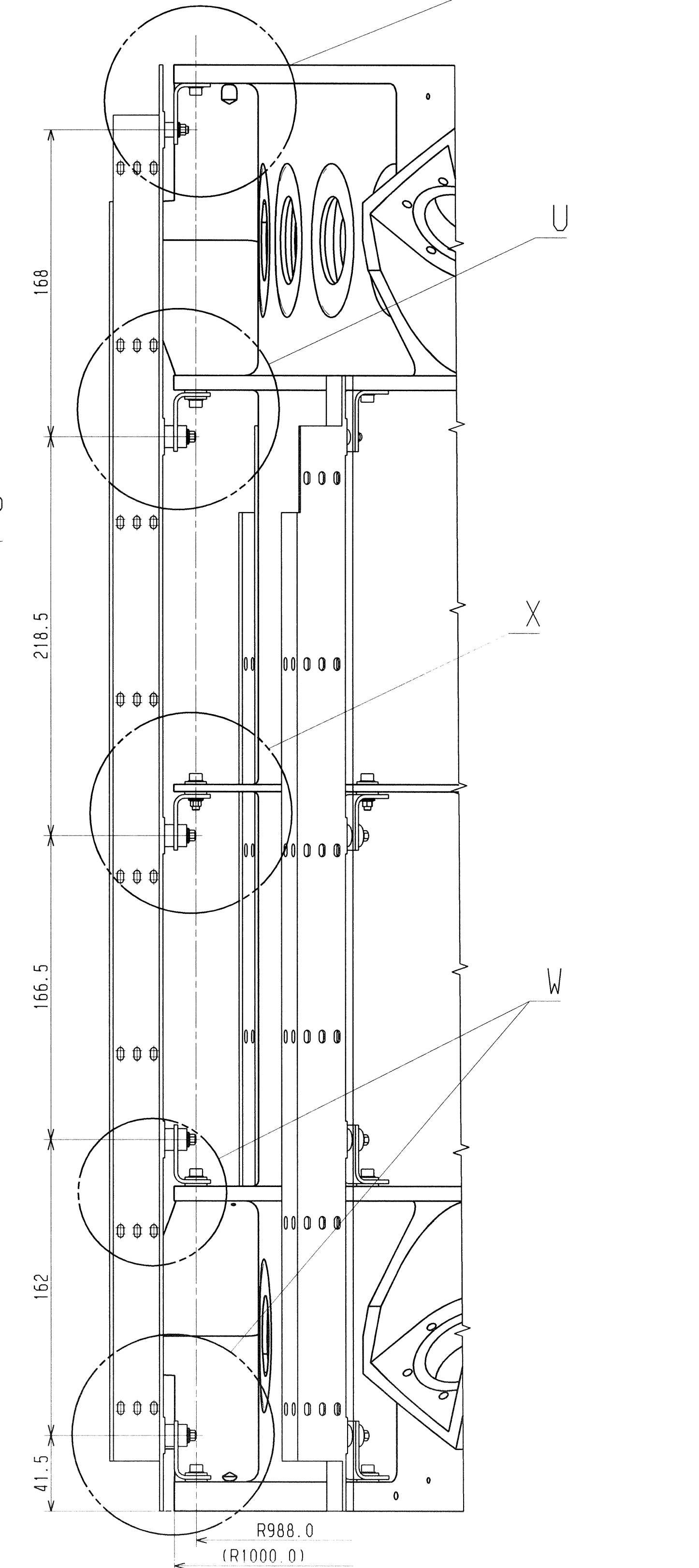
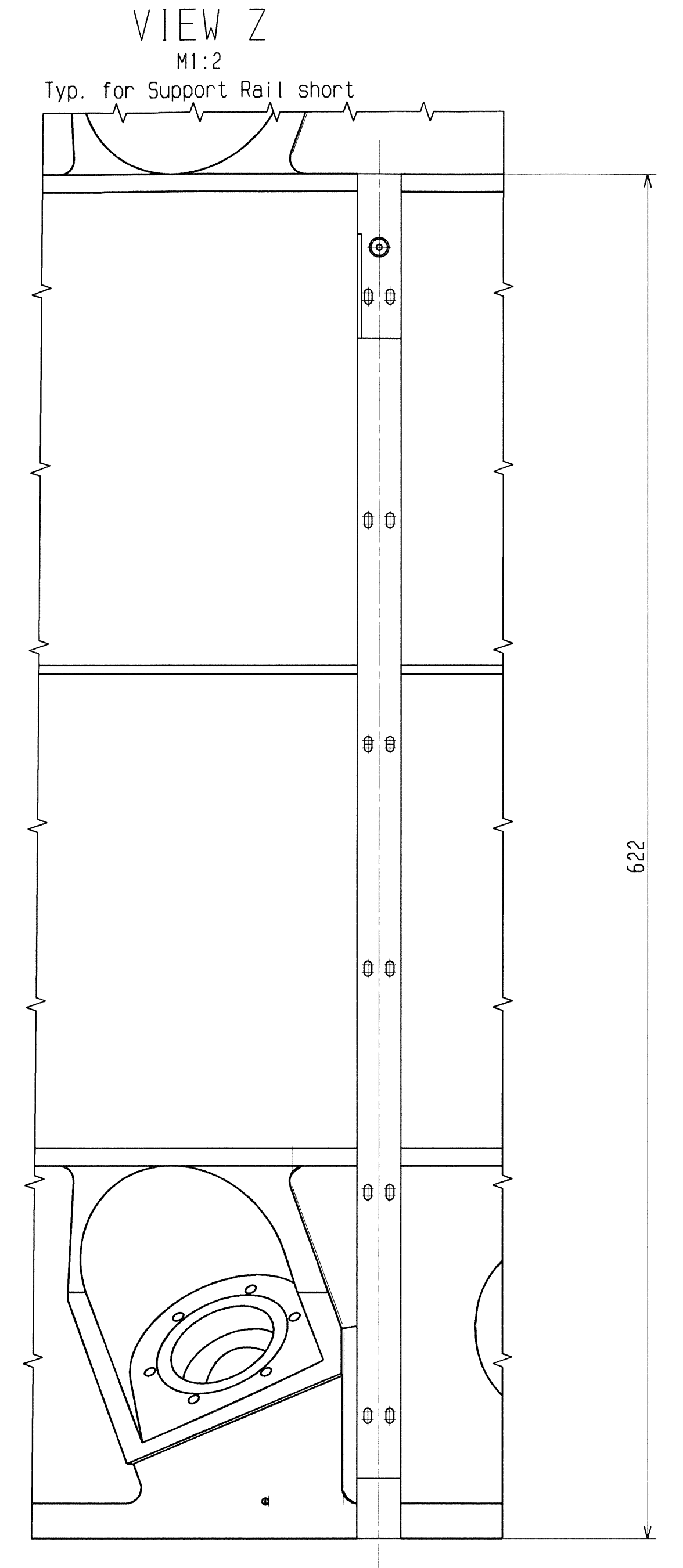
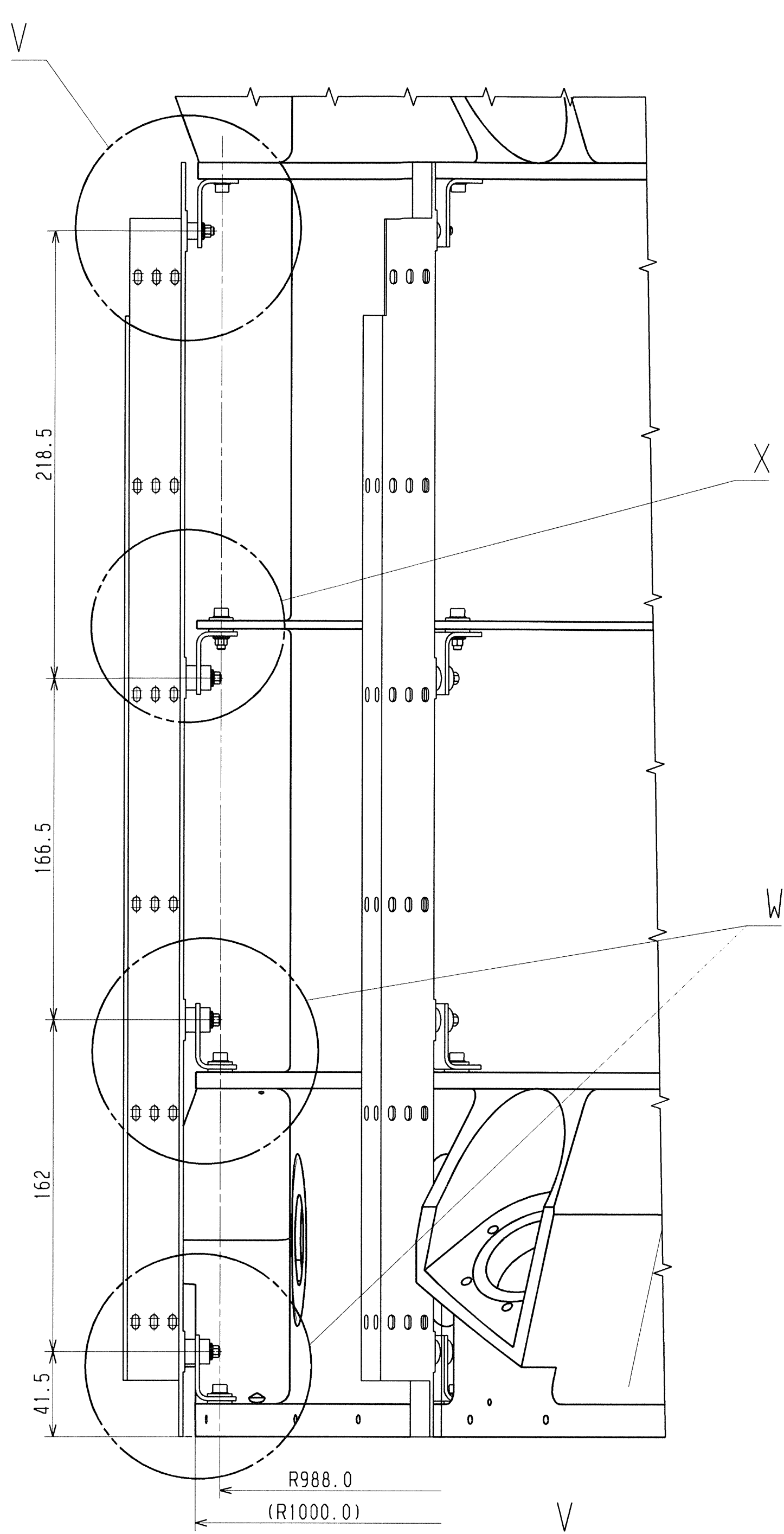
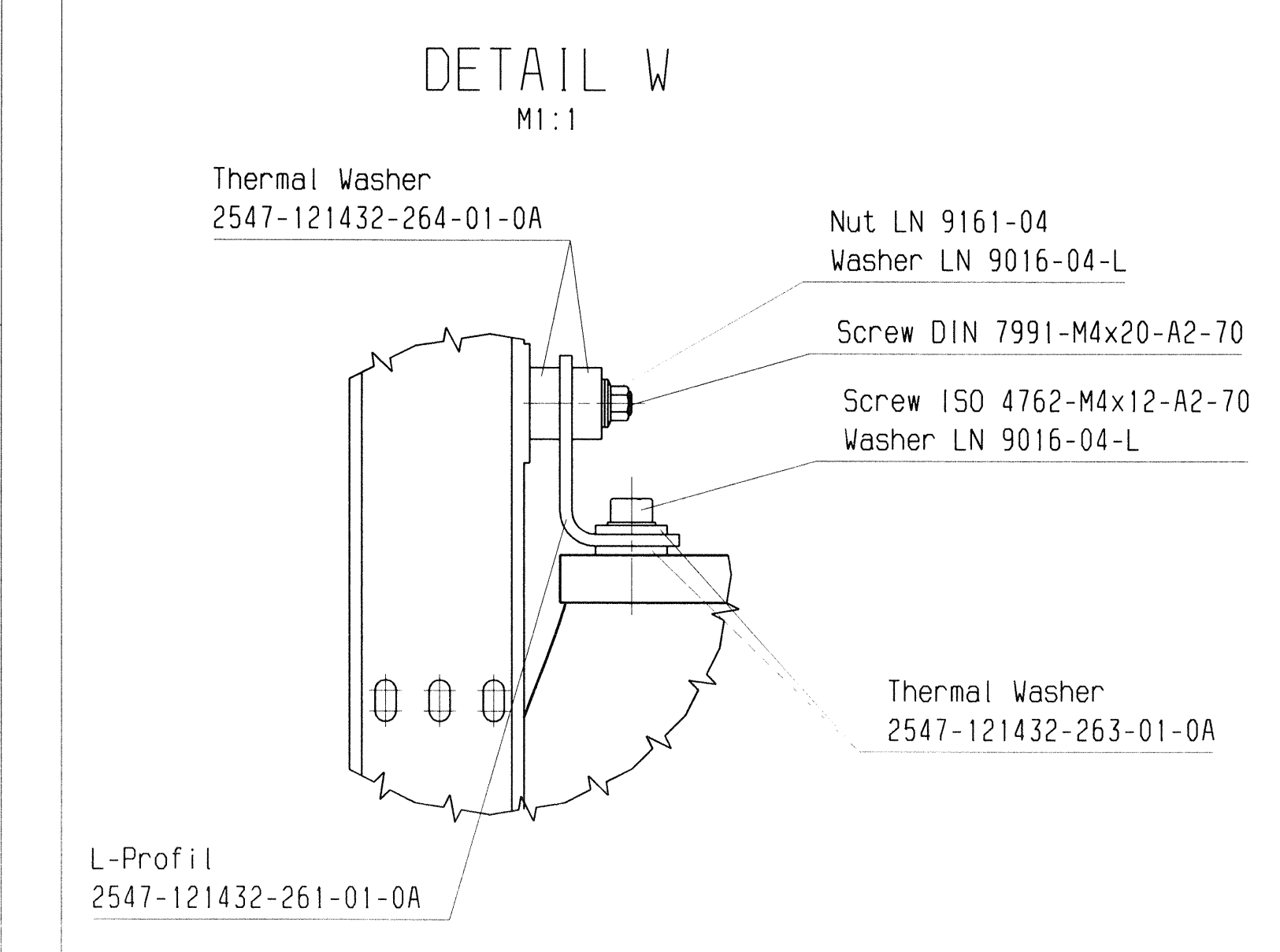
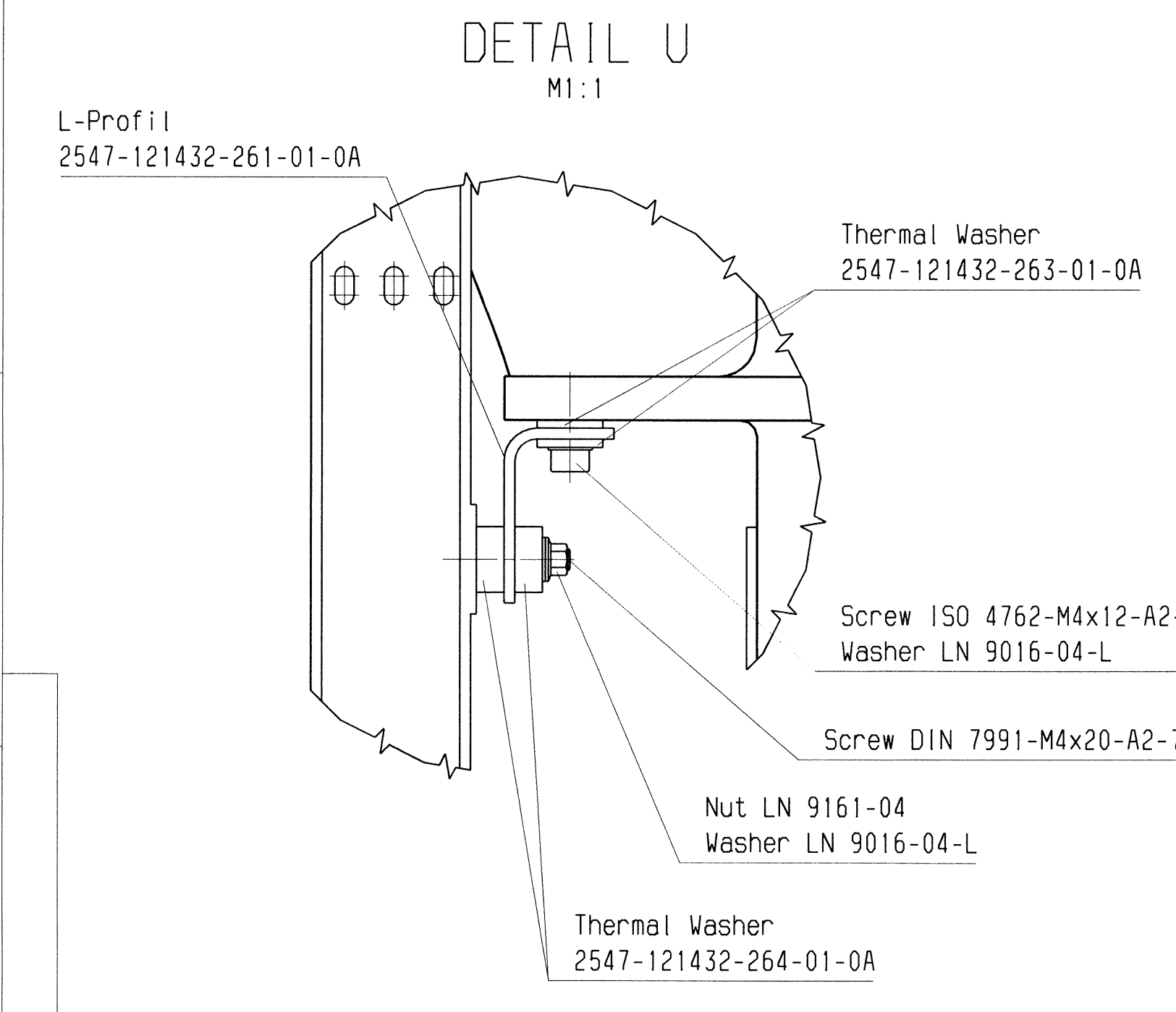
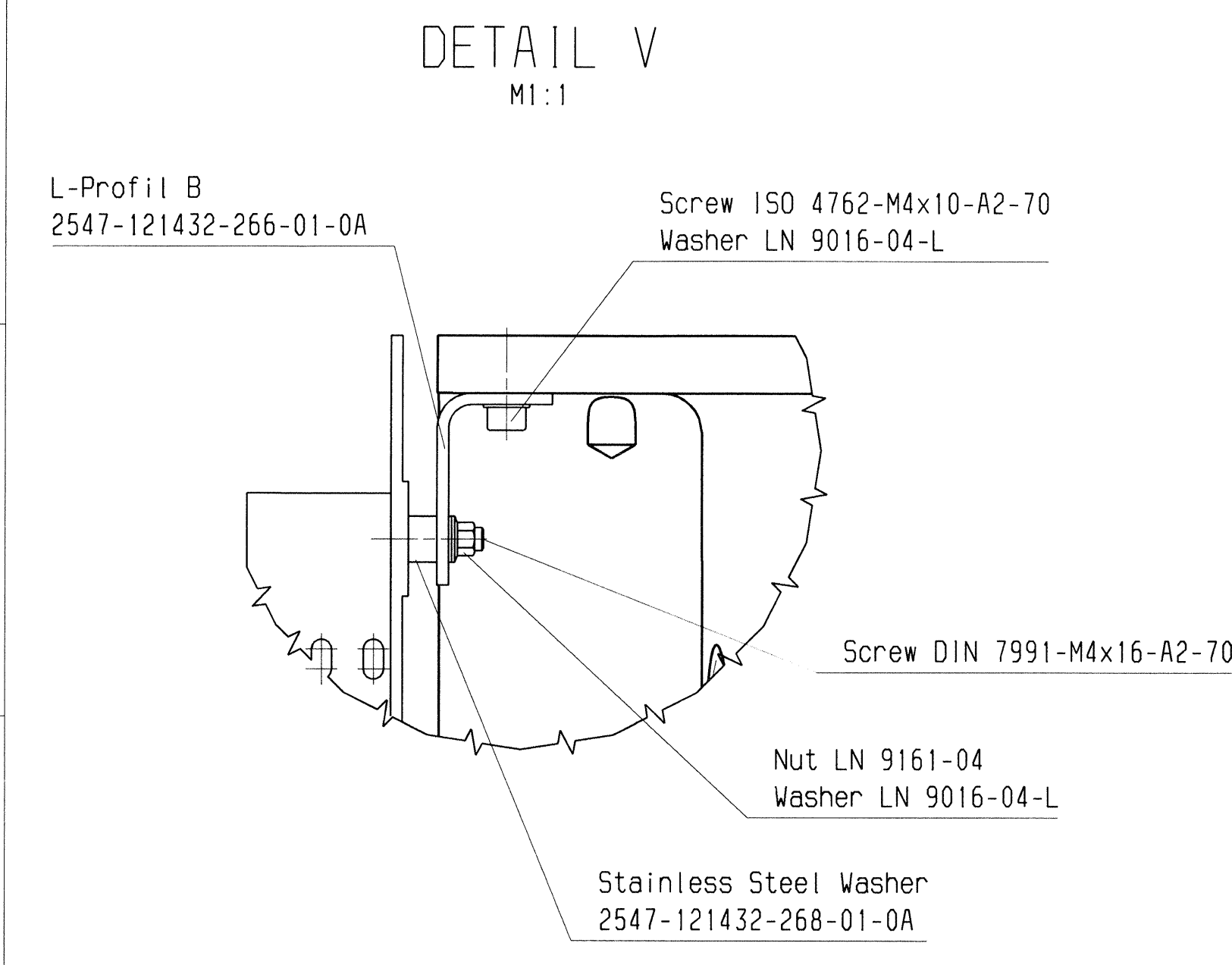
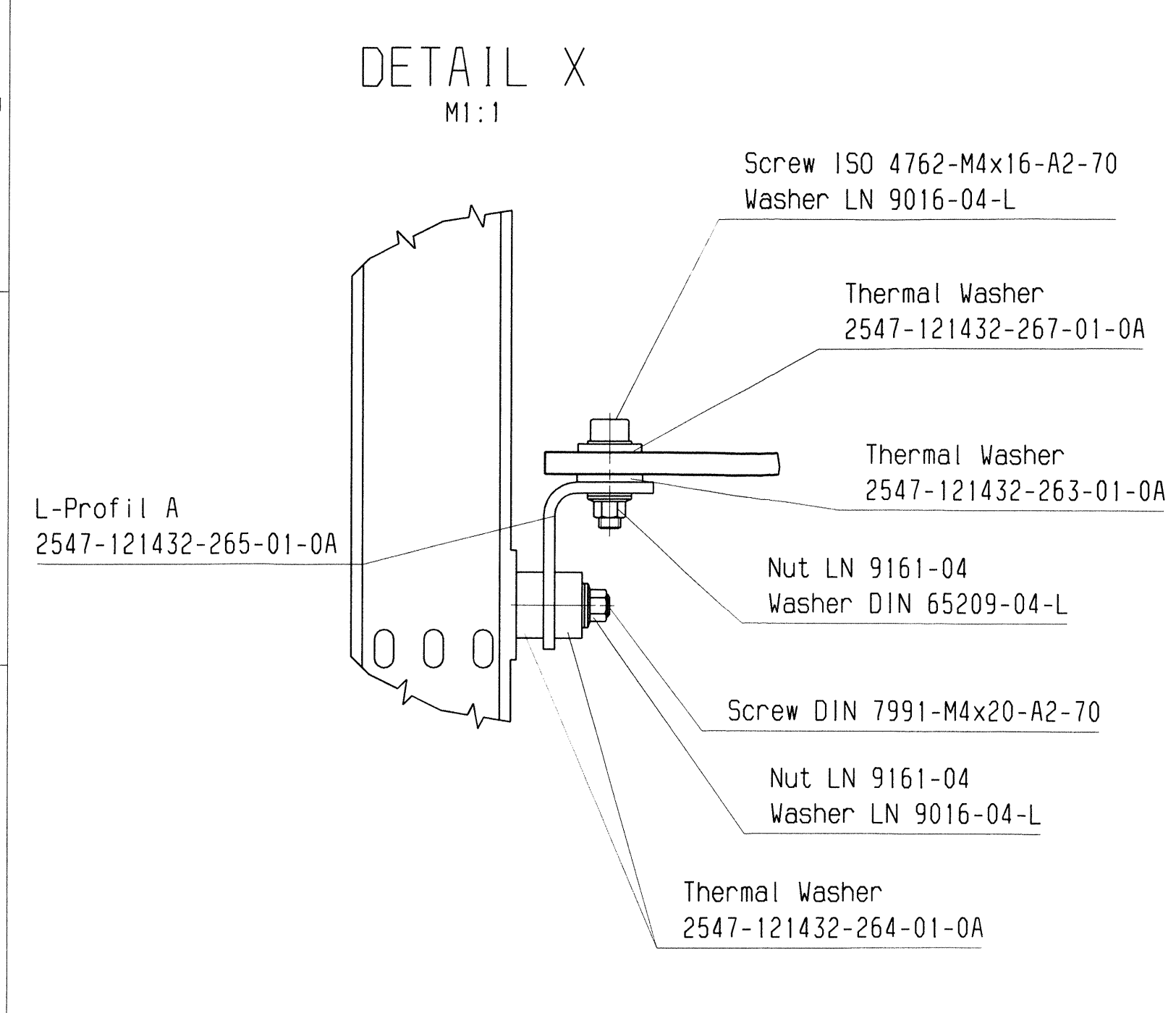


Support Rails for Harness on CVW Cylinder



RAIL-Number	Drawing Number
2122, 2900, 3334, 4041 and 4344	2547-121432-251-01-0A
2400, 2526, 2728, 3132 and 4200	2547-121432-252-01-0A
2300	2547-121432-254-01-0A
3800	2547-121432-255-01-0A
2100 and 3900	2547-121432-256-01-0A

SUPPORT RAIL DEFINITION

100 mm im Maßstab 1:1

FREIGABE: <i>HP-2-ASED-10-0081-07-0C</i>		FESTIGKEIT:		VERTEILER:		DATUM:	
HP-2-ASED-10-0081-07-0C		CI-121430		CM: <i>W. H. H. 15.04.05</i>		VERKSTOFF:	
ZUL. ABW.:	OBERFL.:	MASSTAB: 1:5 (1:2, 1:1)	GEW.:				
BRAND: 06.08.03		NAME:		Herschel PFH			
NOMM:		FABRIKANT:		CRYOSTAT HARNESS			
IPS:		FABRIKANT:		CVW EXTERNAL CCH & SIH			
FABRIKANT:		FABRIKANT:		astrium			
FABRIKANT:		FABRIKANT:		2547-121430-200-07-0C			
FABRIKANT:		FABRIKANT:		100			

Drawing Change List
HP-2-ASED-ID-0081-07-0C: CRYOSTAT HARNESS CVV EXTERNAL CCH and SIH

Related Drawing Section	Objective	Grid location	Actual Status Issue C	Previous Status Issue B
Detail X	Detail X	M15	Complete update	
Detail W	Detail W	C15	Complete update	
Detail V	new Detail View	J15	new View : DETAIL V	
Detail U	new Detail View	F15	new View : DETAIL U	
	new Table	A-B4-5	Table added : "RAIL-Nummber" , "Drawing Number"	