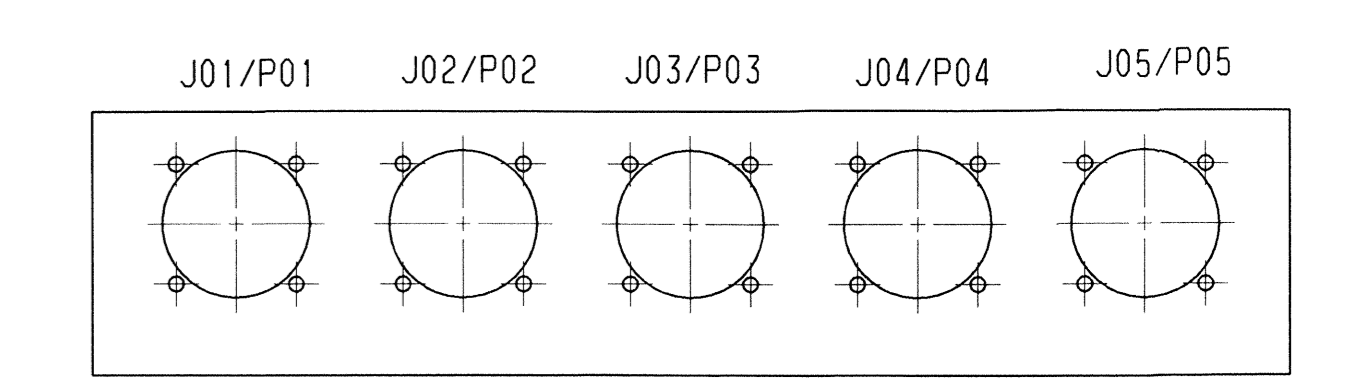
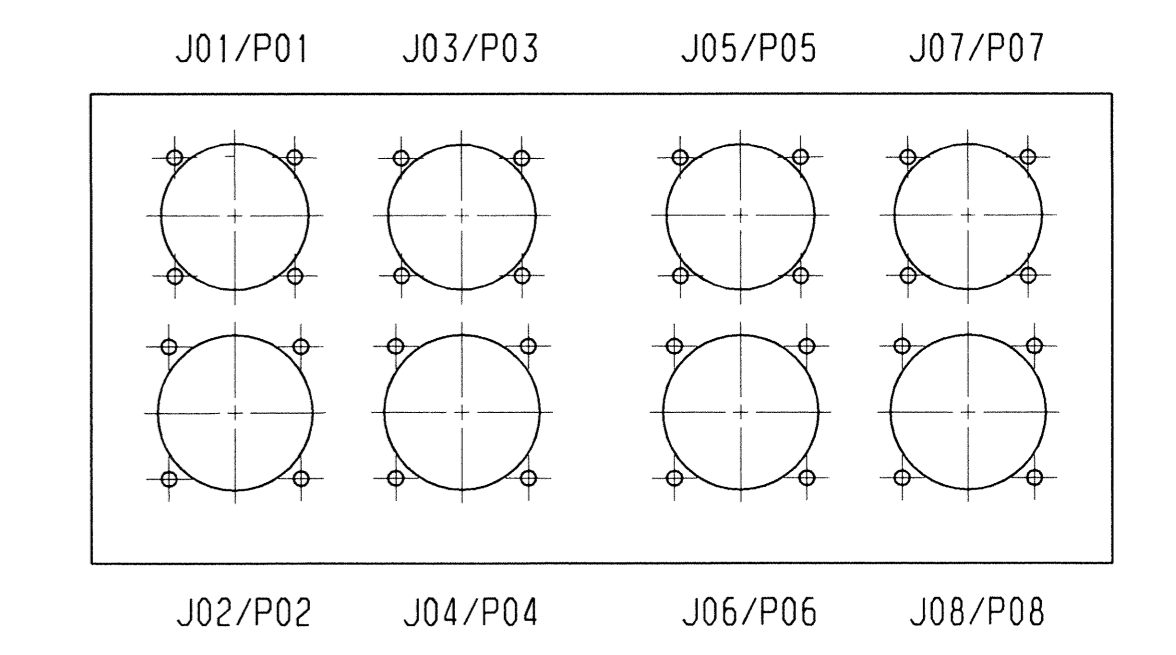


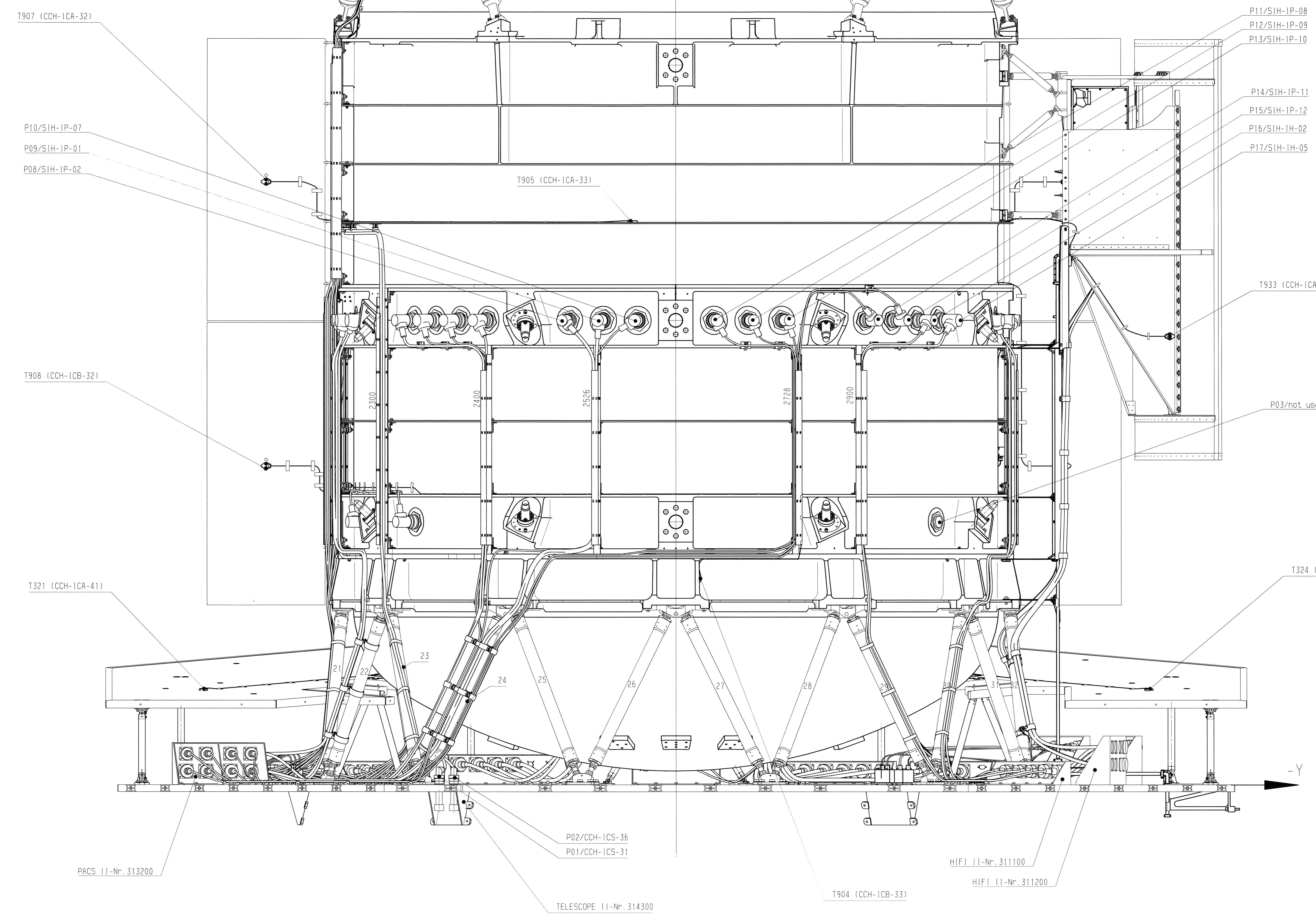
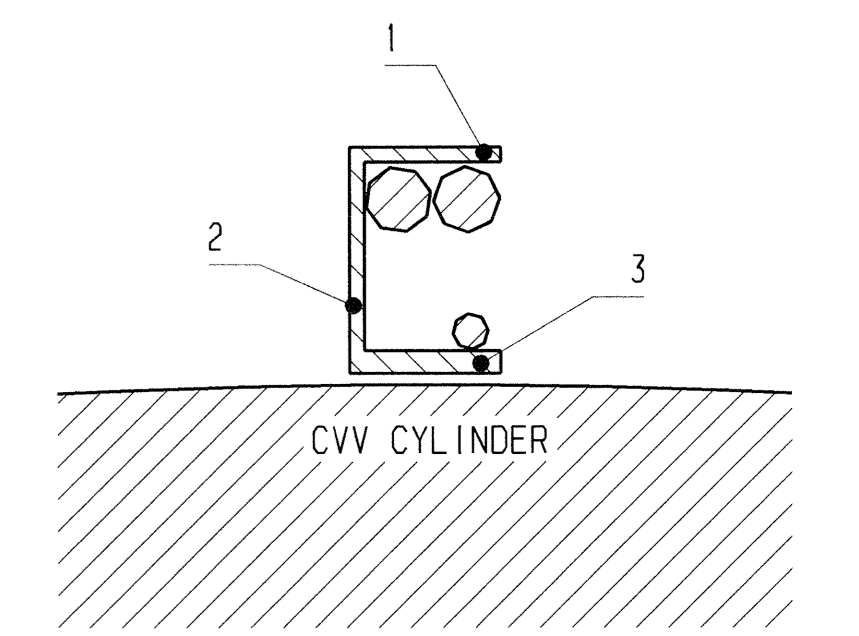
View from +Z

+X

Typ. Marking of SVM Connector Brackets



Typ. Marking of C-Shaped Bar



View from +Z

100 mm in Masstab 1:1

HP-2-ASED-ID-0081-03-0C CM: <i>Wahlbo 15.09.05</i>		VERTEILER: CI-121430	DATUM: 11.08.03
ZUL. ABW.: OBERFL.: MASSTAB: 1:5 WERKSTOFF:	DATUM: 11.08.03 NAME: Fahringer NAME: Fahringer NAME: Fahringer	Henschel PFH CRYOSTAT HARNESS CVV EXTERNAL CCH & SlH	2547-121430-200-03-0C
AUSG. NR.: DATUM: NAME:	URSPR.:	ERS. F.:	ERS. D.:

astrium

Drawing Change List  
HP-2-ASED-ID-0081-03-0C: CRYOSTAT HARNESS CVV EXTERNAL CCH and SIH

Related Drawing Section	Objective	Grid location	Actual Status Issue C	Previous Status Issue B
VIEW +Z	Text changed	E3	Text changed : T324 (CCH-ICB-41)	T324 (CCH-ICB-32)
VIEW +Z	Text changed	D13	Text changed : T321 (CCH-ICA-41)	T321 (CCH-ICA-32)
VIEW +Z	Text changed	B9	Text changed : P02/CCH-ICS-36	P02/CCH-ICS-31
VIEW +Z	new Text	G4	T933 (CCH-ICA-33) (HRN routing also implemented)	
VIEW +Z	HRN rerouting	C-D10-11	PACS HRN rerouting on PLM Strut 24	