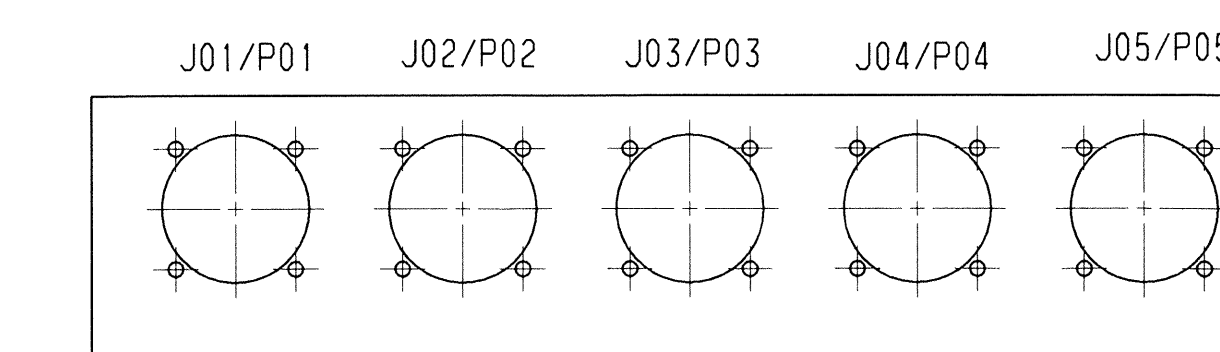
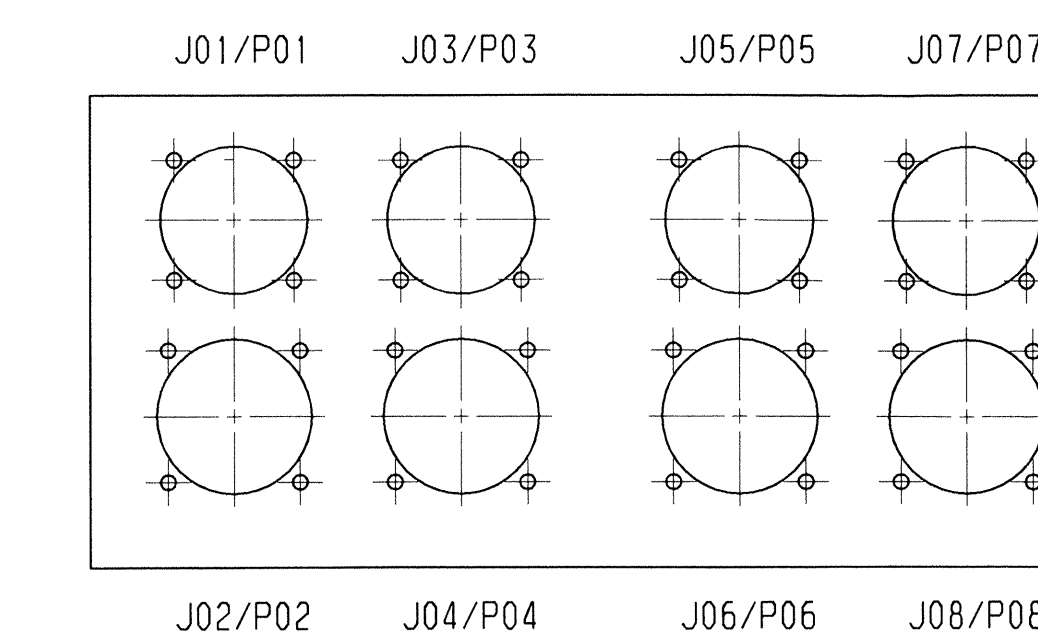


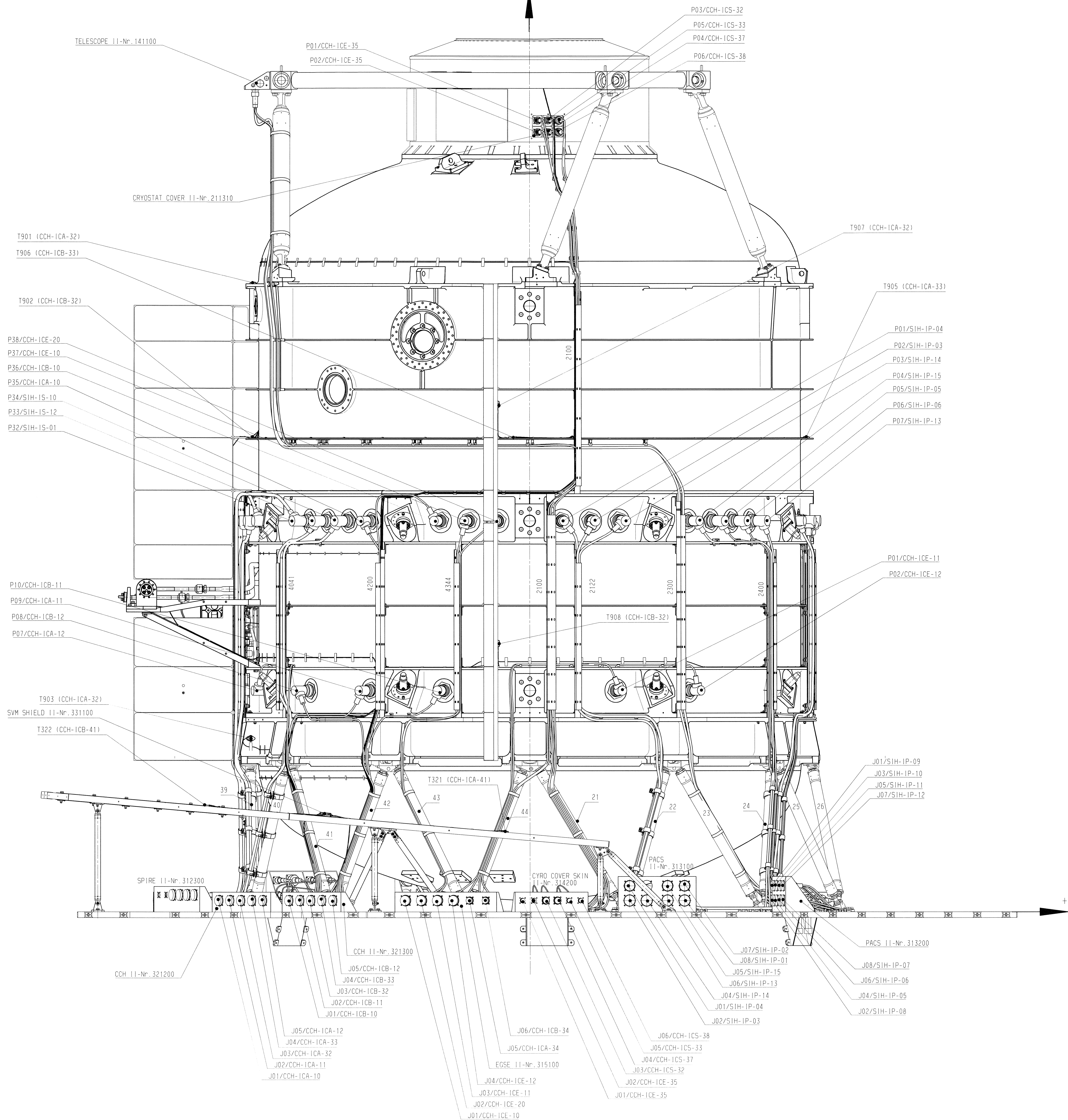
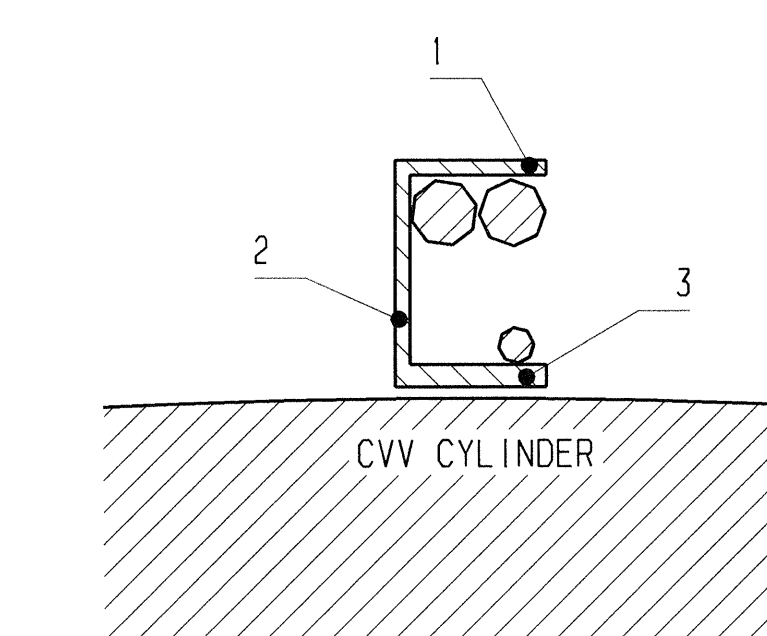
View from +Y

+X

Typ. Marking of SVM Connector Brackets



Typ. Marking of C-Shaped Bar



View from +Y

100 mm in Masstab 1:1

FREIGABE: 4.1.05 AUSGABE:		FESTIGKEIT:		VERTEILER:		DATUM:	
HP-2-ASED-10-0081-02-0C				C1-121430			
FREIGABE:				VERKSTOFF:			
ZUL. ABW.		CBERFL.		MASSTAB: 1:5		GEW.:	
DATUM:		NAME:		HERSCHEL PFM CRYOSTAT HARNESS CVW EXTERNAL CCH & SIH			
18.03.05		Ferninger		@strium			
31.10.03		Ferninger		2547-121430-200-02-0C			
11.08.03		Ferninger		ERS. F.:			
14.		DATUM:		NAME:		ERS. D.:	

Drawing Change List
HP-2-ASED-ID-0081-02-0C: CRYOSTAT HARNESS CVV EXTERNAL CCH and SIH

Related Drawing Section	Objective	Grid location	Actual Status Issue C	Previous Status Issue B
VIEW +Y	Text changed	A7	Text changed : J06/CCH-ICS-38	J06/CCH-ICS-33
VIEW +Y	Text changed	A7	Text changed : J04/CCH-ICS-37	J06/CCH-ICS-32
VIEW +Y	Text changed	M7	Text changed : P06/CCH-ICS-38	P06/CCH-ICS-33
VIEW +Y	Text changed	M7	Text changed : P02/CCH-ICS-37	P02/CCH-ICS-32
VIEW +Y	Text changed	D13	Text changed : T322 (CCH-ICB-41)	T322 (CCH-ICB-32)
VIEW +Y	Text changed	D9	Text changed : T321 (CCH-ICA-41)	T321 (CCH-ICA-32)
VIEW +Y	Text replaced	M12	Telescope II-Nr. 141100 (HRN routing also implemented)	TELESCOPE HRN ROUTING TBC