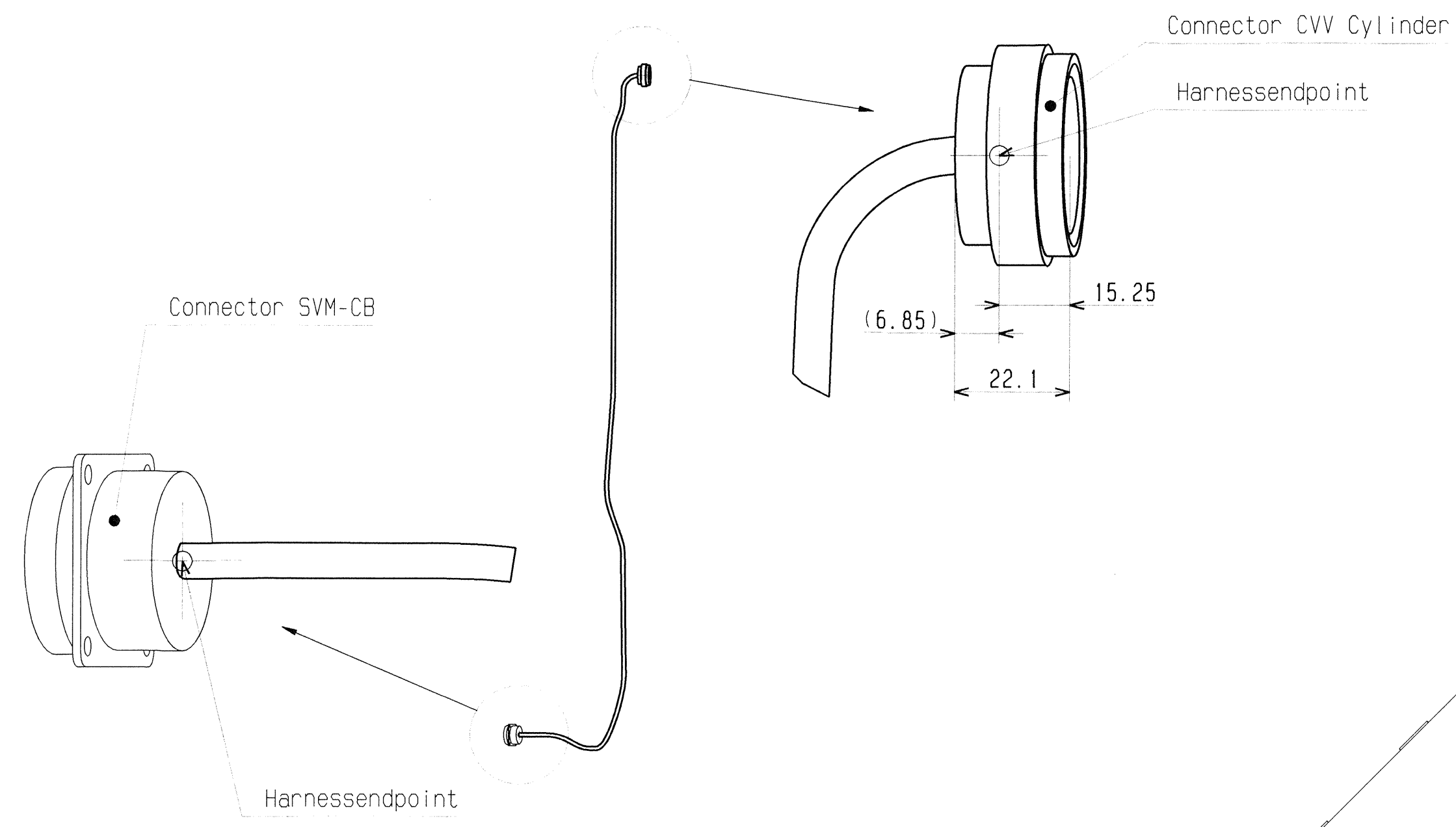
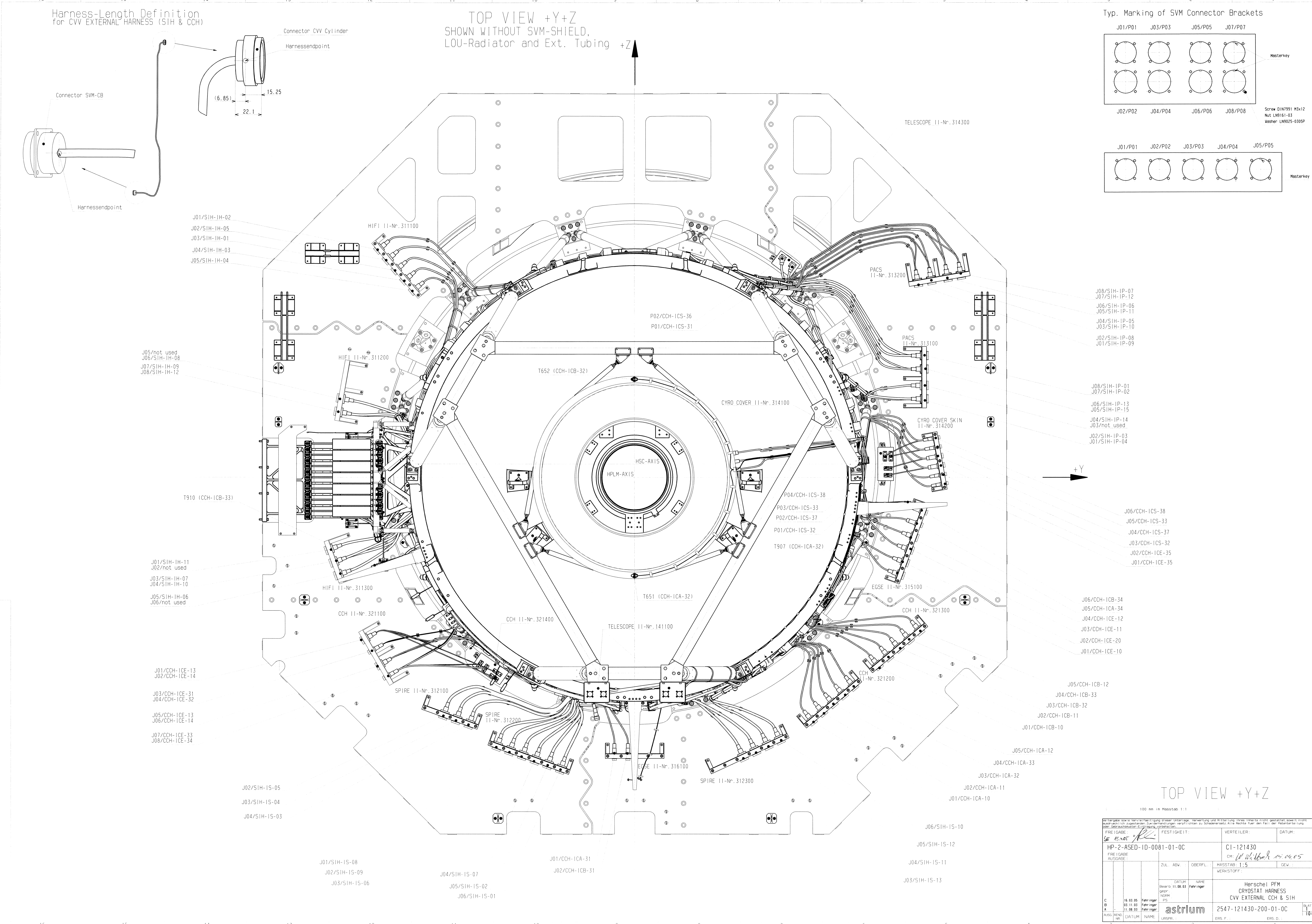
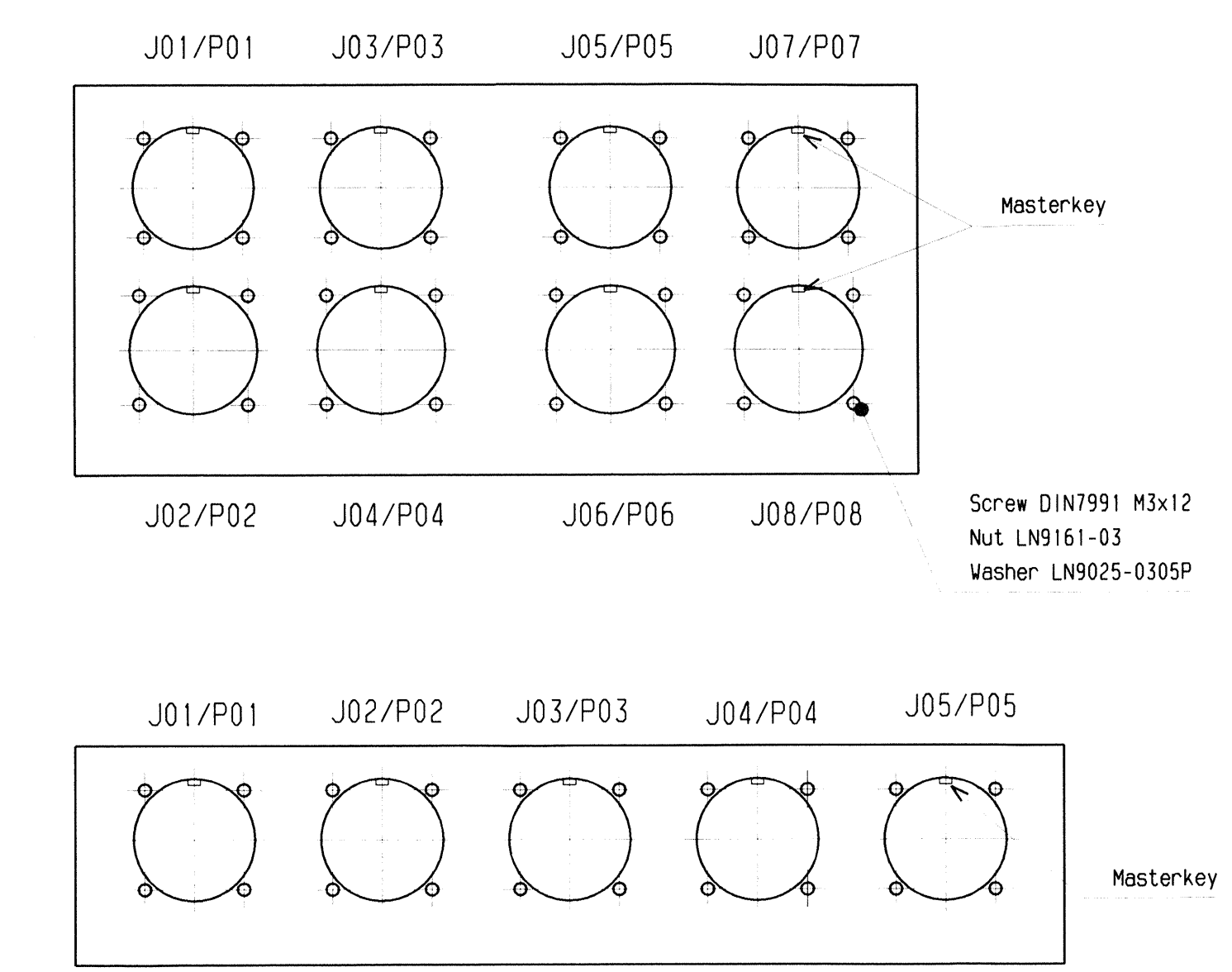


Harness-Length Definition
for CVV EXTERNAL HARNESS (SIH & CCH)



TOP VIEW +Y+Z
SHOWN WITHOUT SVM-SHIELD,
LOU-Radiator and Ext. Tubing +Z

Typ. Marking of SVM Connector Brackets



- J08/SIH-IP-07
- J07/SIH-IP-12
- J06/SIH-IP-06
- J05/SIH-IP-11
- J04/SIH-IP-05
- J03/SIH-IP-10
- J02/SIH-IP-08
- J01/SIH-IP-09
- J08/SIH-IP-01
- J07/SIH-IP-02
- J06/SIH-IP-13
- J05/SIH-IP-15
- J04/SIH-IP-14
- J03/not used
- J02/SIH-IP-03
- J01/SIH-IP-04
- J06/CCH-ICE-38
- J05/CCH-ICE-33
- J04/CCH-ICE-37
- J03/CCH-ICE-32
- J02/CCH-ICE-35
- J01/CCH-ICE-35
- J06/CCH-ICB-34
- J05/CCH-ICA-34
- J04/CCH-ICE-12
- J03/CCH-ICE-11
- J02/CCH-ICE-20
- J01/CCH-ICE-10
- J05/CCH-ICB-12
- J04/CCH-ICB-33
- J03/CCH-ICE-32
- J02/CCH-ICB-11
- J01/CCH-ICB-10
- J05/CCH-ICA-12
- J04/CCH-ICA-33
- J03/CCH-ICA-32
- J02/CCH-ICA-11
- J01/CCH-ICA-10
- J06/SIH-15-10
- J05/SIH-15-12
- J04/SIH-15-11
- J03/SIH-15-13

- J01/SIH-IH-02
- J02/SIH-IH-05
- J03/SIH-IH-01
- J04/SIH-IH-03
- J05/SIH-IH-04
- J05/not used
- J06/SIH-IH-08
- J07/SIH-IH-09
- J08/SIH-IH-12
- J01/SIH-IH-11
- J02/not used
- J03/SIH-IH-07
- J04/SIH-IH-10
- J05/SIH-IH-06
- J06/not used
- J01/CCH-ICE-13
- J02/CCH-ICE-14
- J03/CCH-ICE-31
- J04/CCH-ICE-32
- J05/CCH-ICE-13
- J06/CCH-ICE-14
- J07/CCH-ICE-33
- J08/CCH-ICE-34
- J02/SIH-15-05
- J03/SIH-15-04
- J04/SIH-15-03
- J01/SIH-15-08
- J02/SIH-15-09
- J03/SIH-15-06
- J04/SIH-15-07
- J05/SIH-15-02
- J06/SIH-15-01
- J01/CCH-ICA-31
- J02/CCH-ICB-31

TOP VIEW +Y+Z

100 mm in Masstab 1:1

FREIGABE: AS / RS		FESTIGKEIT:		VERTEILER:		DATUM:	
HP-2-ASED-ID-0081-01-0C				C1-121430			
FREIGABE AUSGABE:				MASSTAB: 1:5			
ZUL. ABW. :				OBERFL. :			
BEARB. 11.08.03 Febringer				NAME:			
02.11.03 Febringer				HERSCHEL PFM			
11.08.03 Febringer				CRYOSTAT HARNESS			
NAME:				CVV EXTERNAL CCH & SIH			
astrium				2547-121430-200-01-0C			
URSPR. :				ERS. F. :			
ERS. D. :				10			

Drawing Change List
HP-2-ASED-ID-0081-01-0C: CRYOSTAT HARNESS CVV EXTERNAL CCH and SIH

Related Drawing Section	Objective	Grid location	Actual Status Issue C	Previous Status Issue B
VIEW +Y+Z	Text changed	H8	Text changed : P02/CCH-ICS-36	P02/CCH-ICS-31
VIEW +Y+Z	Text changed	F7	Text changed : P04/CCH-ICS-38	P04/CCH-ICS-33
VIEW +Y+Z	Text changed	F7	Text changed : P02/CCH-ICS-37	P02/CCH-ICS-32
VIEW +Y+Z	Text changed	F2	Text changed : J06/CCH-ICS-38	J06/CCH-ICS-33
VIEW +Y+Z	Text changed	F2	Text changed : J04/CCH-ICS-37	J06/CCH-ICS-32
VIEW +Y+Z	Text changed	H15	Text changed : J05/not used	J05/SIH-IH-12
VIEW +Y+Z	Text changed	H15	Text changed : J06/SIH-IH-08 (HRN routing adapted)	J06/SIH-IH-11
VIEW +Y+Z	Text changed	H15	Text changed : J07/SIH-IH-09 (HRN routing adapted)	J07/SIH-IH-10
VIEW +Y+Z	Text changed	H15	Text changed : J08/SIH-IH-12 (HRN routing adapted)	J07/SIH-IH-09
VIEW +Y+Z	Text changed	E14	Text changed : J01/SIH-IH-11 (HRN routing adapted)	J07/SIH-IH-08
VIEW +Y+Z	Text changed	E14	Text changed : J04/SIH-IH-10 (HRN routing adapted)	J04/not used
VIEW +Y+Z	new Text	H10	T652 (CCH-ICB-32) (HRN routing also implemented)	
VIEW +Y+Z	new Text	E8	T651 (CCH-ICA-32) (HRN routing also implemented)	
VIEW +Y+Z	new Text	D9	Telescope II-Nr. 141100 (HRN routing also implemented)	
	Text added	K-M1	Masterkey; Screw DIN7991	