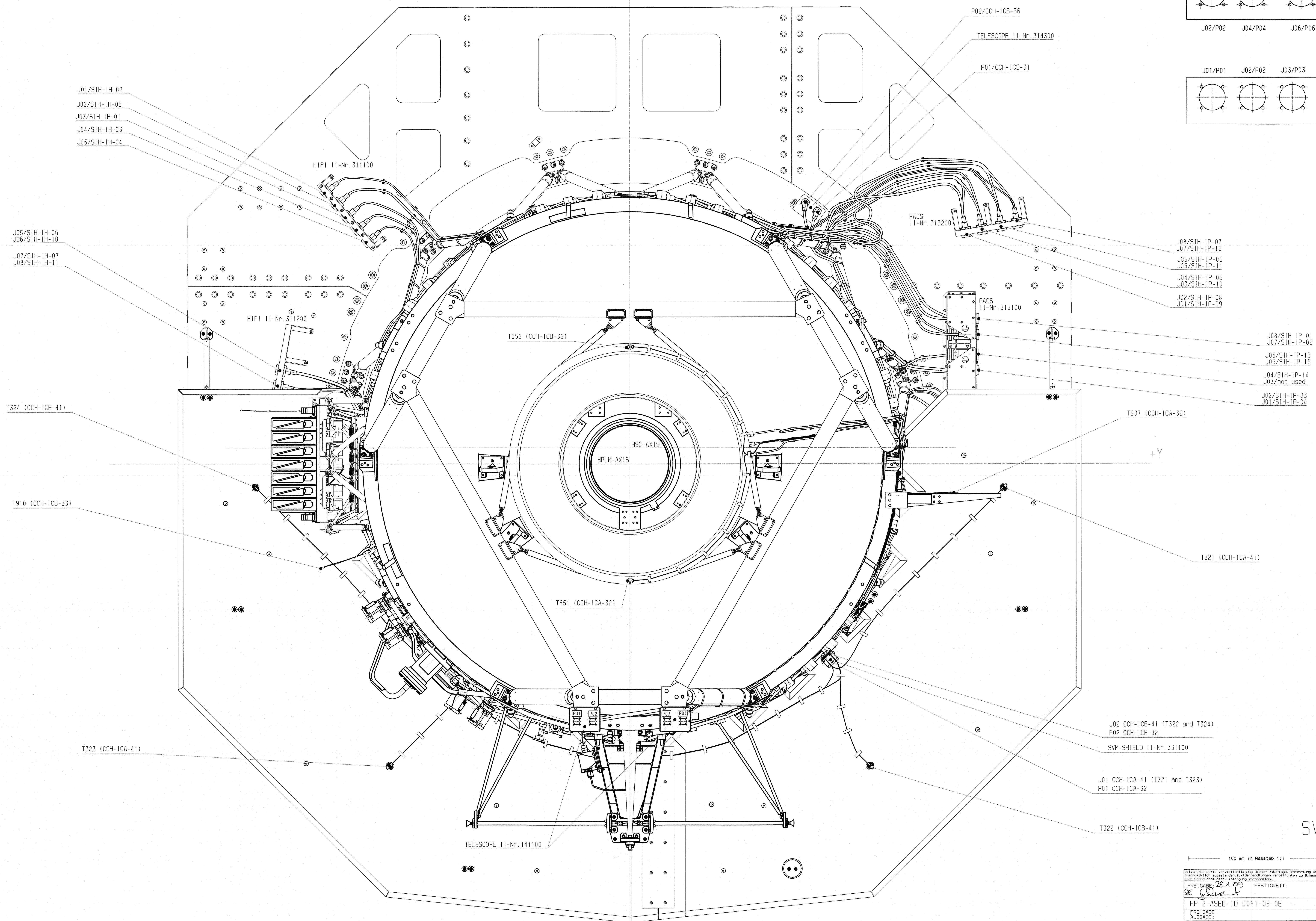
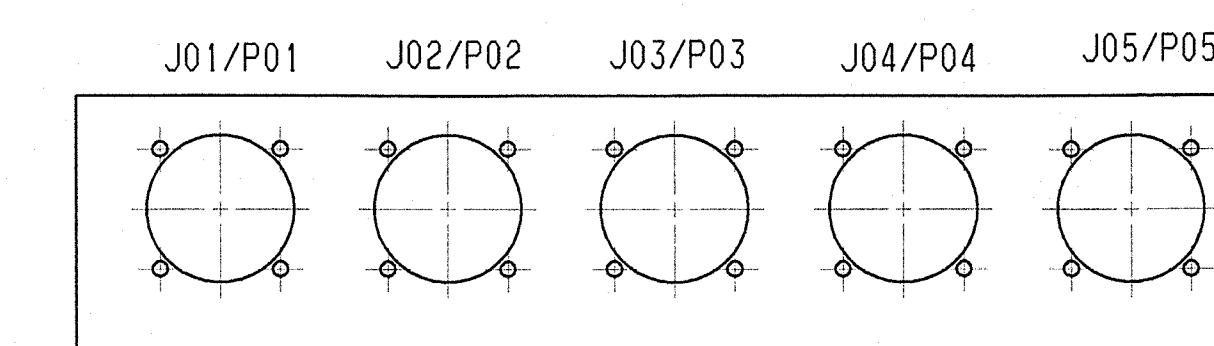
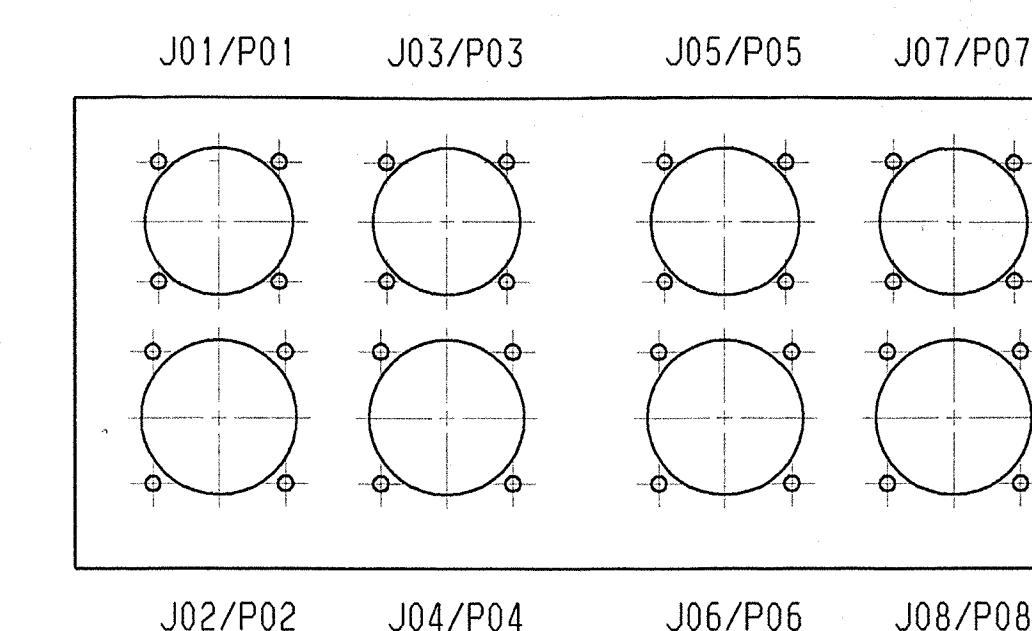


SHOWN WITHOUT HIFI-LOU RADIATOR, WAVEGUIDE and Ext. Tubing

Typ. Marking of SVM Connector Brackets



- J08/SIH-IP-07
- J07/SIH-IP-12
- J06/SIH-IP-06
- J05/SIH-IP-11
- J04/SIH-IP-05
- J03/SIH-IP-10
- J02/SIH-IP-08
- J01/SIH-IP-09
- J08/SIH-IP-01
- J07/SIH-IP-02
- J06/SIH-IP-13
- J05/SIH-IP-15
- J04/SIH-IP-14
- J03/not used
- J02/SIH-IP-03
- J01/SIH-IP-04

SVM-SHIELD

1214302+0000+09+1Z_+00+_E+547+CRYOSTAT_HPLM_CVW_EXT+P2_2906+_2N+090115		100 mm in Masstab 1:1	
HP-2-ASED-ID-0081-09-0E FREIGABE: 25.4.05 AUSGABE:		FESTIGKEIT: VERTEILER: DATUM:	C1-121430 CH: <i>M. Müller</i> 28/10/09 MASSTAB: 1:5 GEW.:
ZUL.:	ABW.:	OBERRFL.:	WERKSTOFF.:
DATUM: 12.08.03 NAME: Febringer		HERSHEY PFM CRYOSTAT HARNESS CVV EXTERNAL CCH & SIH	
EAD5 Astrium GmbH Freising		2547-121430-200-09-0E ERS. G.:	

HERSCHEL  
29.01.2009

Drawing Change List  
HP-2-ASED-ID-0081-09-0E: Cryostat Harness CVV External CCH & SIH

<b>Related Drawing Section</b>	<b>Objective</b>	<b>Grid location</b>	<b>Actual Status Issue E</b>	<b>Previous Status Issue D</b>
main view	updated		PACS re routing acc. HP-2-ASED-NC-1772	-
main view	updated		LOU Baffle Harness implemented	-