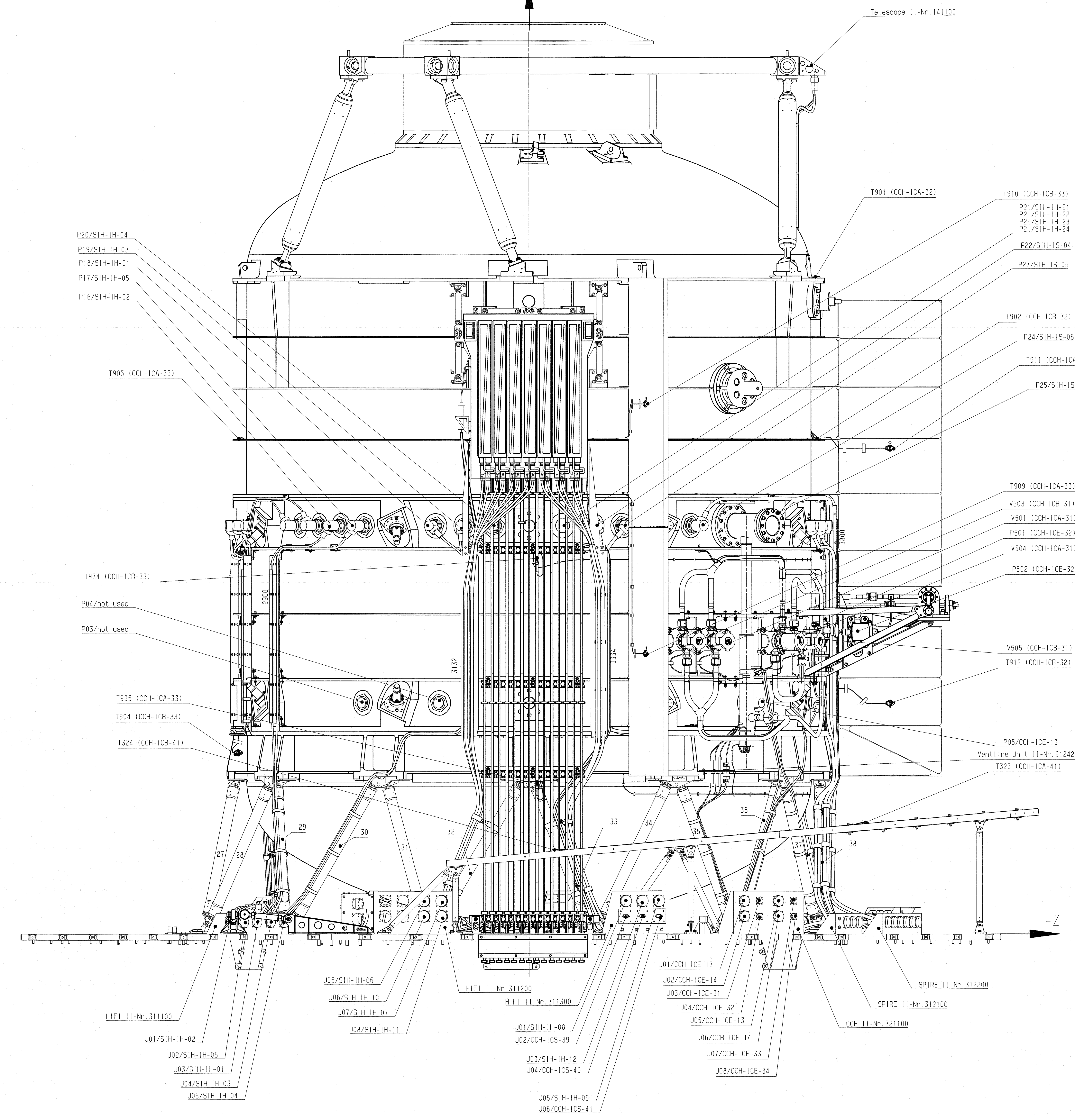
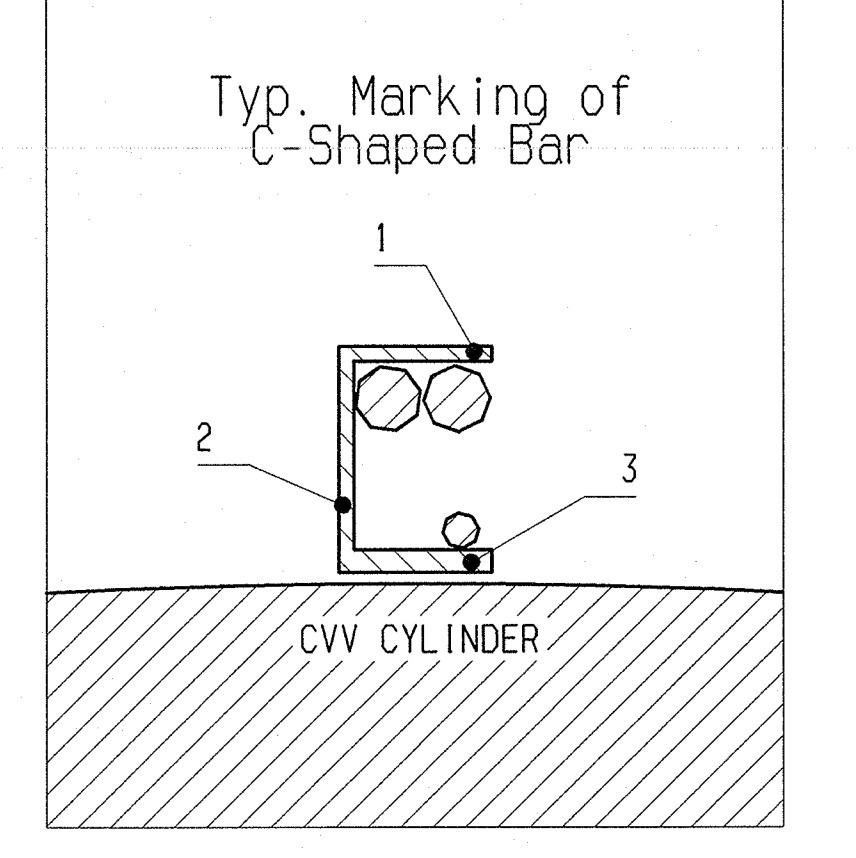
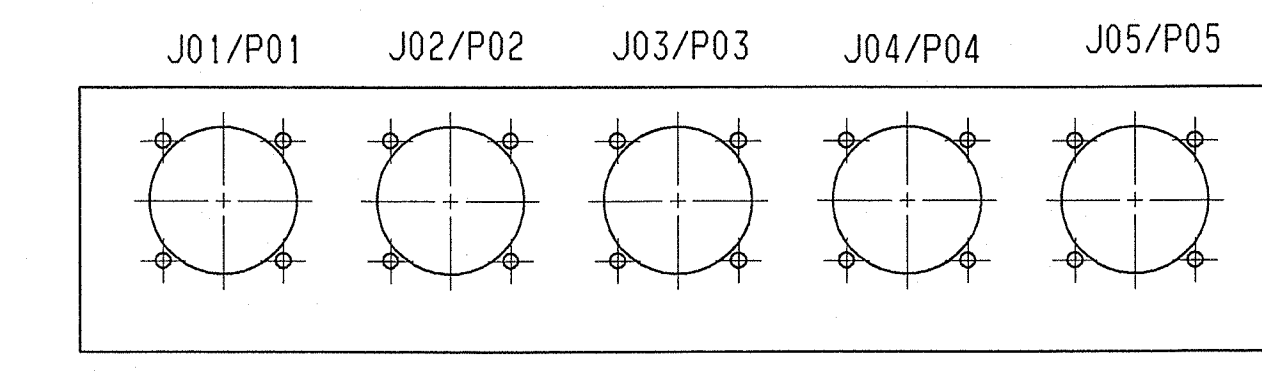
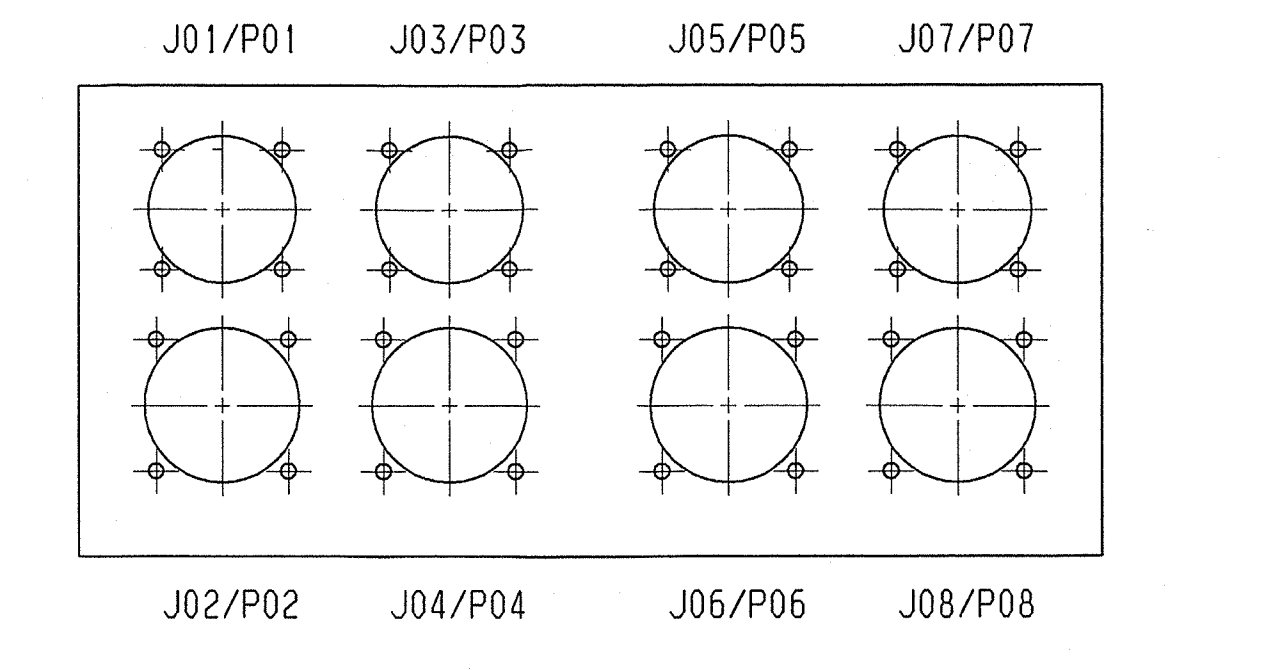


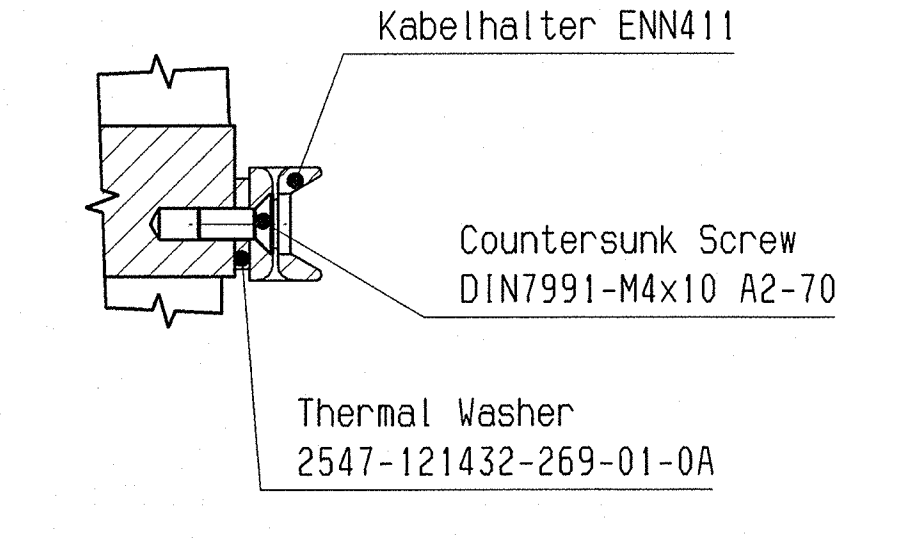
View from -Y  
SHOWN WITHOUT LOU-Radiator +X



Typ. Marking of SVM Connector Brackets



Typ. for screwed ENN411 on CVV



View from -Y

100 mm im Maßstab 1:1

HP-2-ASED-ID-0081-04-0E C1-121430 CH: W. W. 28/10/09		VERTEILER: DATUM:
ZUL. ABW.: OBERFL.: MASSTAB: 1:5 GEW.:	WERKSTOFF:	HERSHEL PFM CRYOSTAT HARNESS CVV EXTERNAL CCH & SIH
DATEI: HP-2-ASED-ID-0081-04-0E D: 18.01.09 C: 18.03.09 B: 18.03.09 A: 18.03.09	NAME: PS FERTIGER: PS FERTIGER: PS FERTIGER: PS	EADS Astrium GmbH Friedrichshafen 2547-121430-200-04-0E ERS. F.: ERS. D.:

HERSCHEL  
29.01.2009

Drawing Change List  
HP-2-ASED-ID-0081-04-0E: Cryostat Harness CVV External CCH & SIH

<b>Related Drawing Section</b>	<b>Objective</b>	<b>Grid location</b>	<b>Actual Status Issue E</b>	<b>Previous Status Issue D</b>
main view	updated		PACS re routing acc. HP-2-ASED-NC-1772	-
main view	updated		LOU Baffle Harness implemented	-
main view	added	A/B 8	LOU Connector bracket discription	