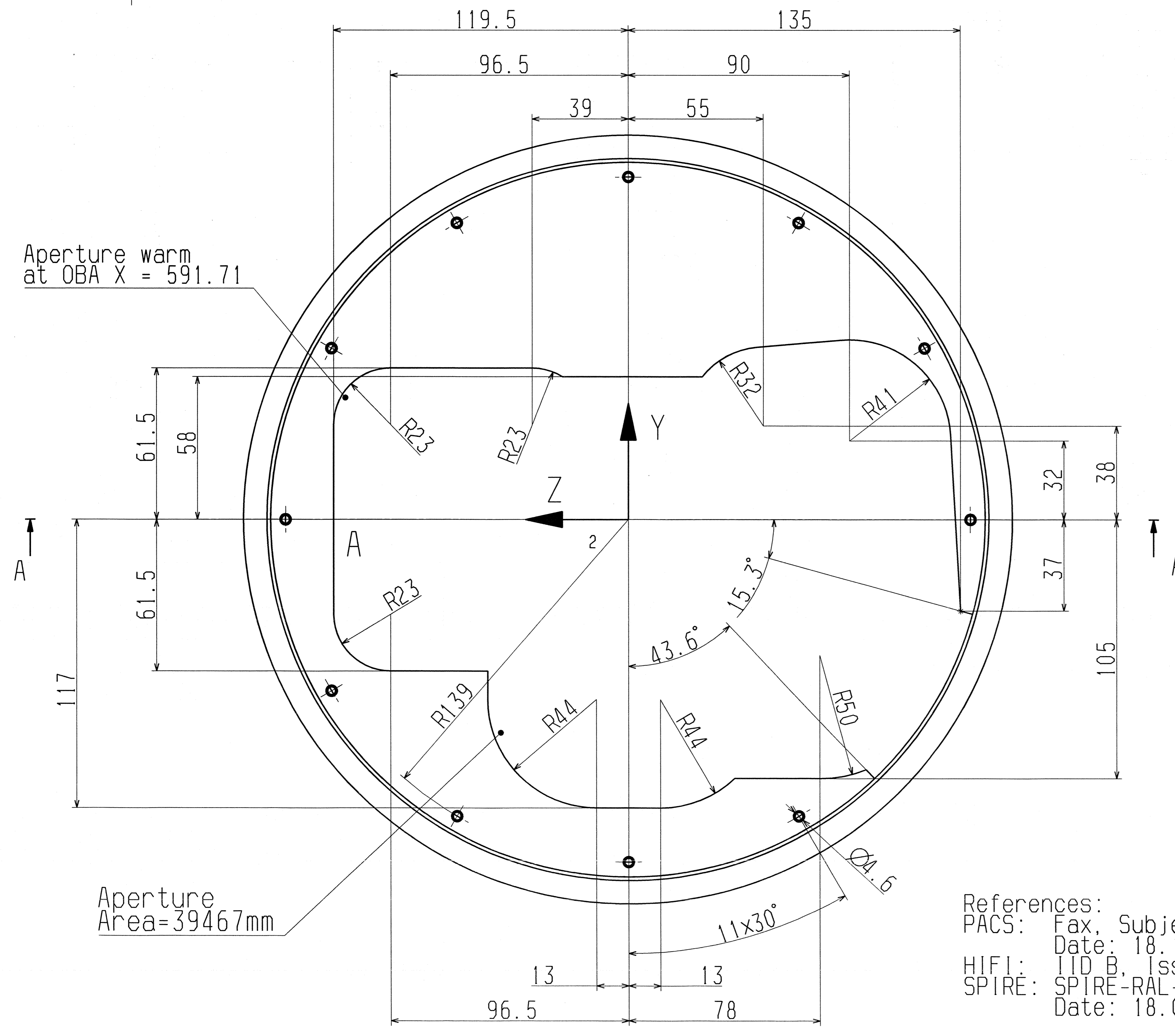
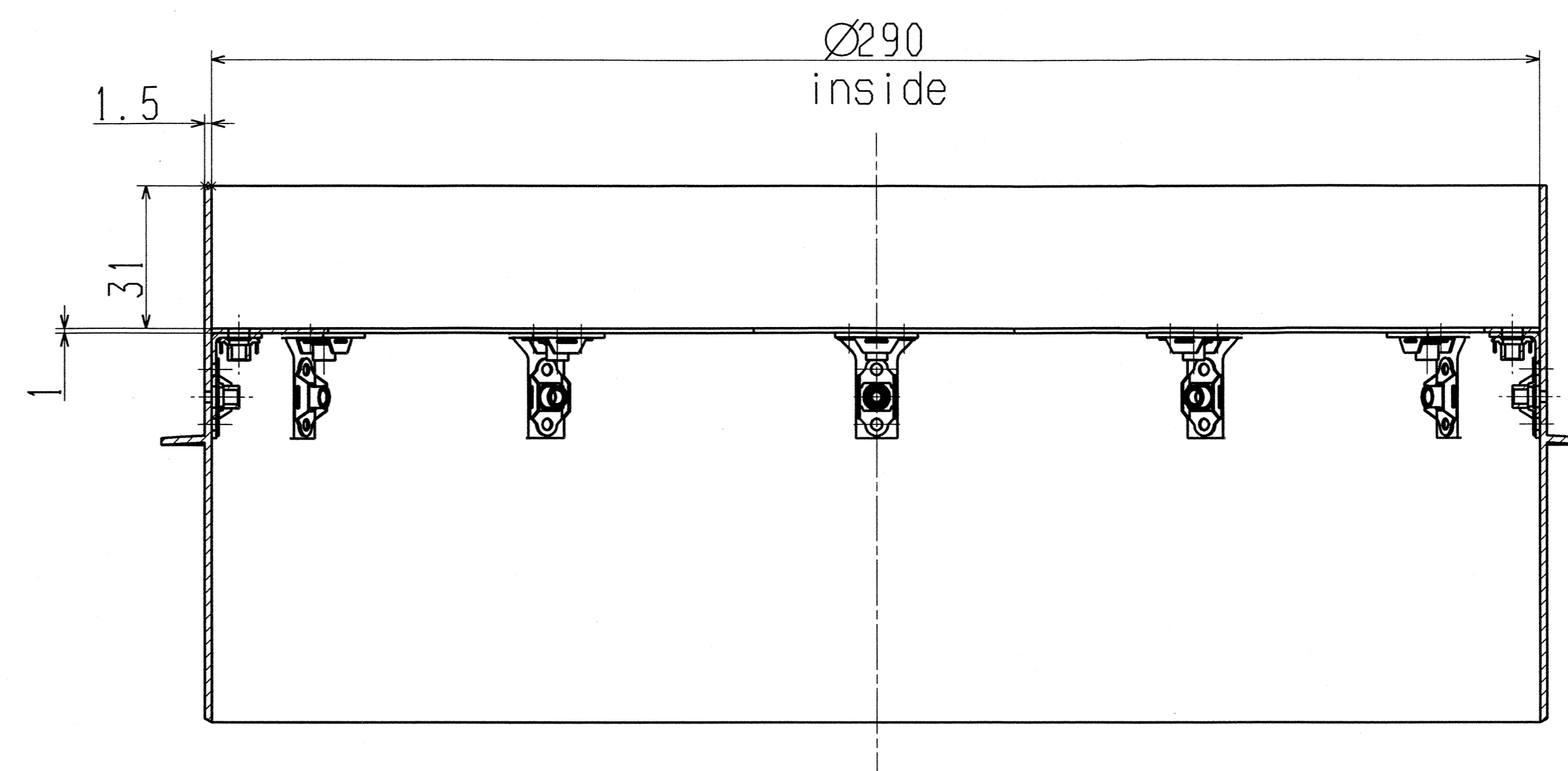
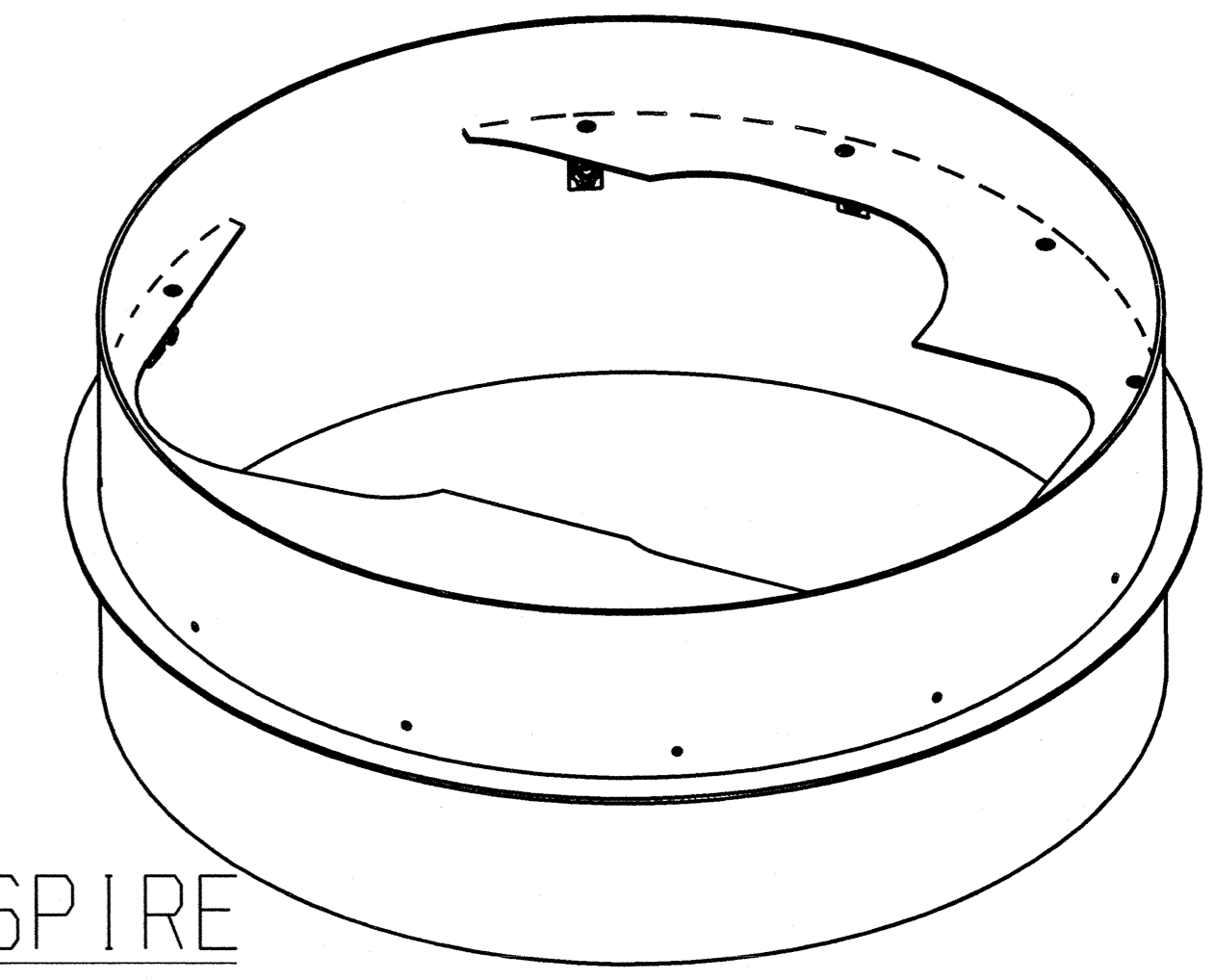
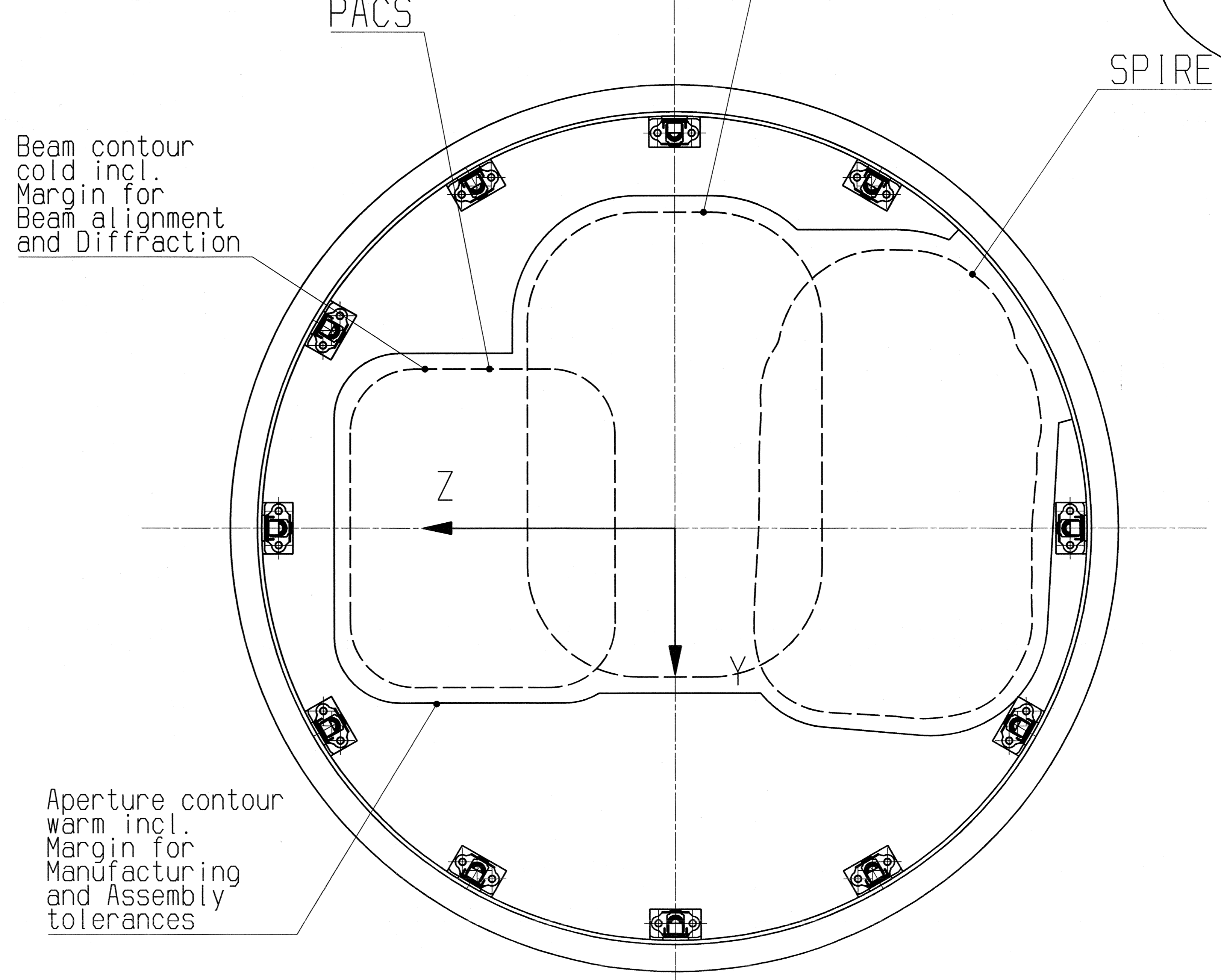


SECTION A-A



View W



All Beams in Orbit conditions

100 mm im Masstab 1:1

References:  
PACS: Fax, Subject: Beam at Cryobaffle 2  
Date: 18.12.2003  
HIFI: IID B, Issue 3, Revision 2.  
SPIRE: SPIRE-RAL-NOT-001242  
Date: 18.04.2002

FREI GABE		FESTIGKEIT:		VERTEILER:		DATUM:	
AUSGABE		150 2760-m		CM: <i>W. K. ...</i>		GEW.:	
H-P-2-ASED-ID-0065-01-0B		CI-121332		Herschel PFM		Blatt	
astrium		2547-121332-000-01-0B		Interface Drawing		1	
25.09.04 PELTZ		31.01.03 PELTZ		ERS. F.:		ERS. D.:	

Drawing Change List  
HP-2-ASED-ID-0065-01-0B: Entrance Baffle

Related Drawing Section	Objective	Grid location	Actual Status Issue B	Previous Status Issue A
All Views	Updated	-	New Aperture of Entrance Baffle implemented	