

**HERSCHEL
PLANCK**

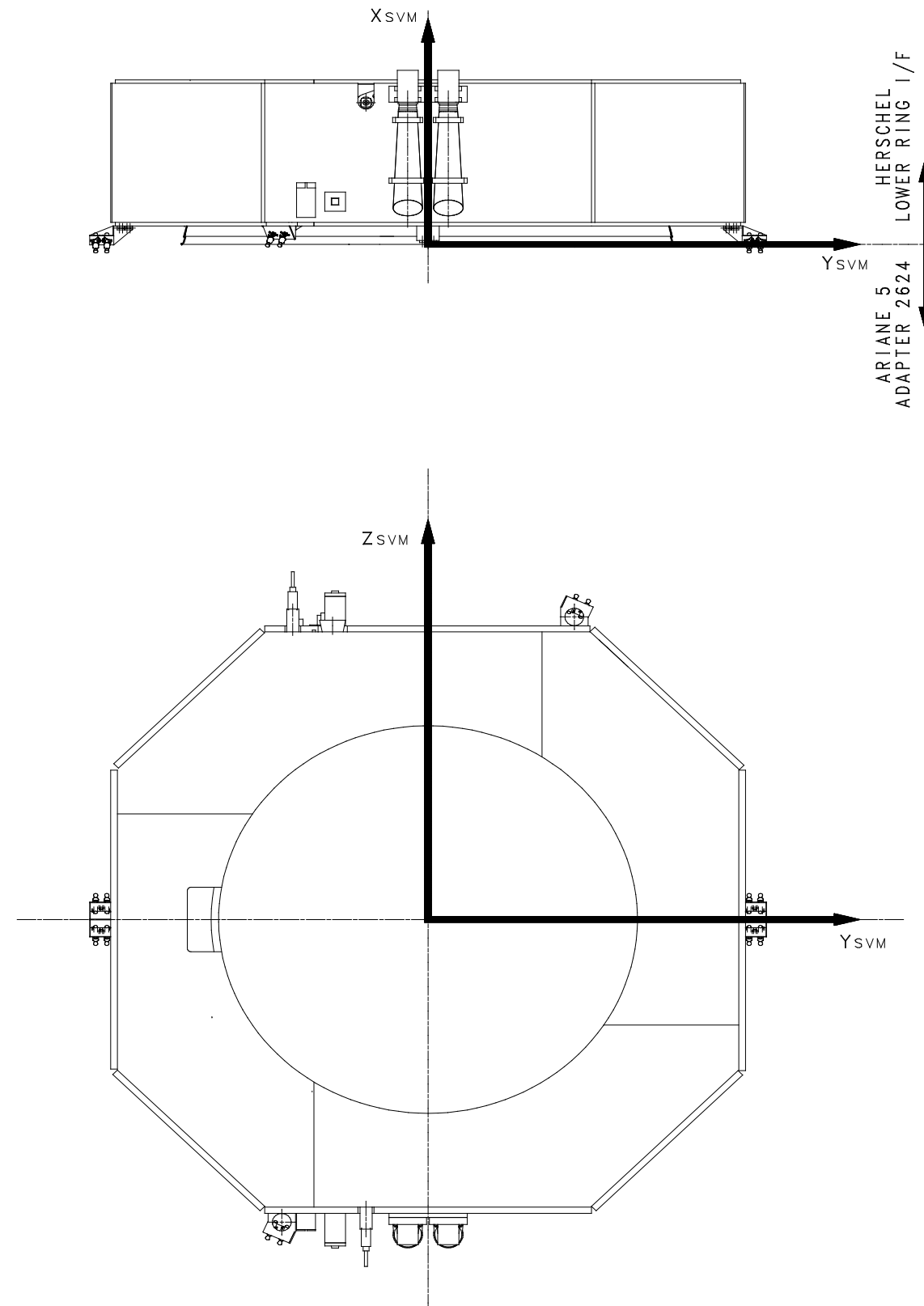
DOC : H-P-IC-AI-0001
SECT. : 06 of 10
ISSUE : 6
DATE : 23 JUNE 2004
PAGE : 1 of 7
CLASS : DC

SECTION 06

REFERENCE FRAMES DRAWINGS

HERSCHEL PLANCK

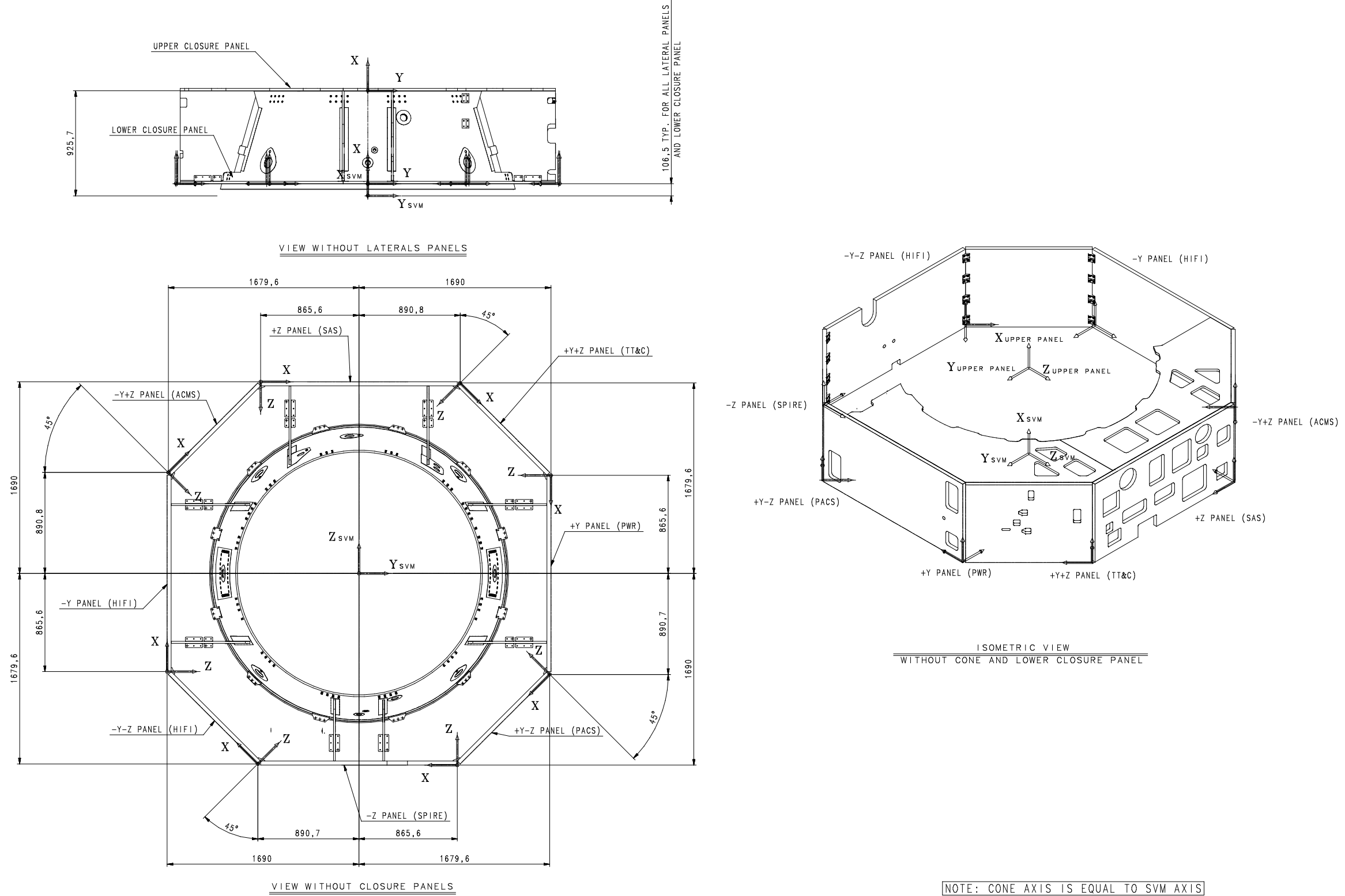
Figure 01 Sh. 1/1 Rev. / (04 DEC 02)
 Herschel SVM reference frame



THIS DWG IS INTENDED TO
 IDENTIFY THE LOCATION OF THE REFERENCE FRAMES ONLY
 AND
 IS NOT UPDATED
 IN ACCORDANCE WITH THE LATEST CONFIGURATION

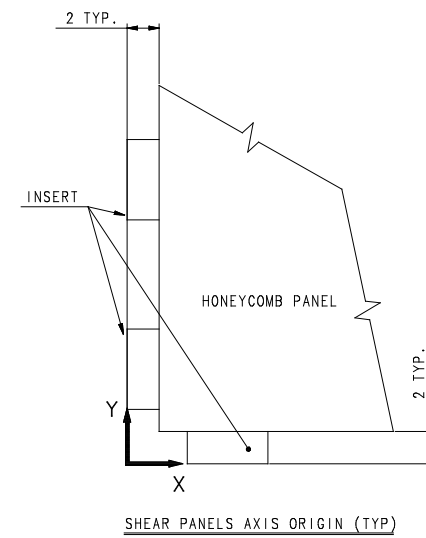
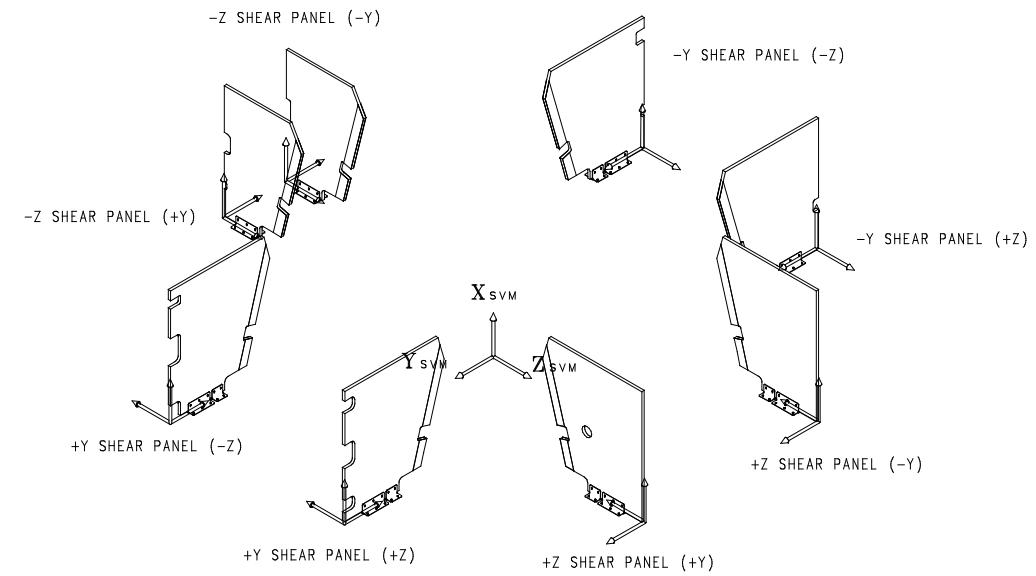
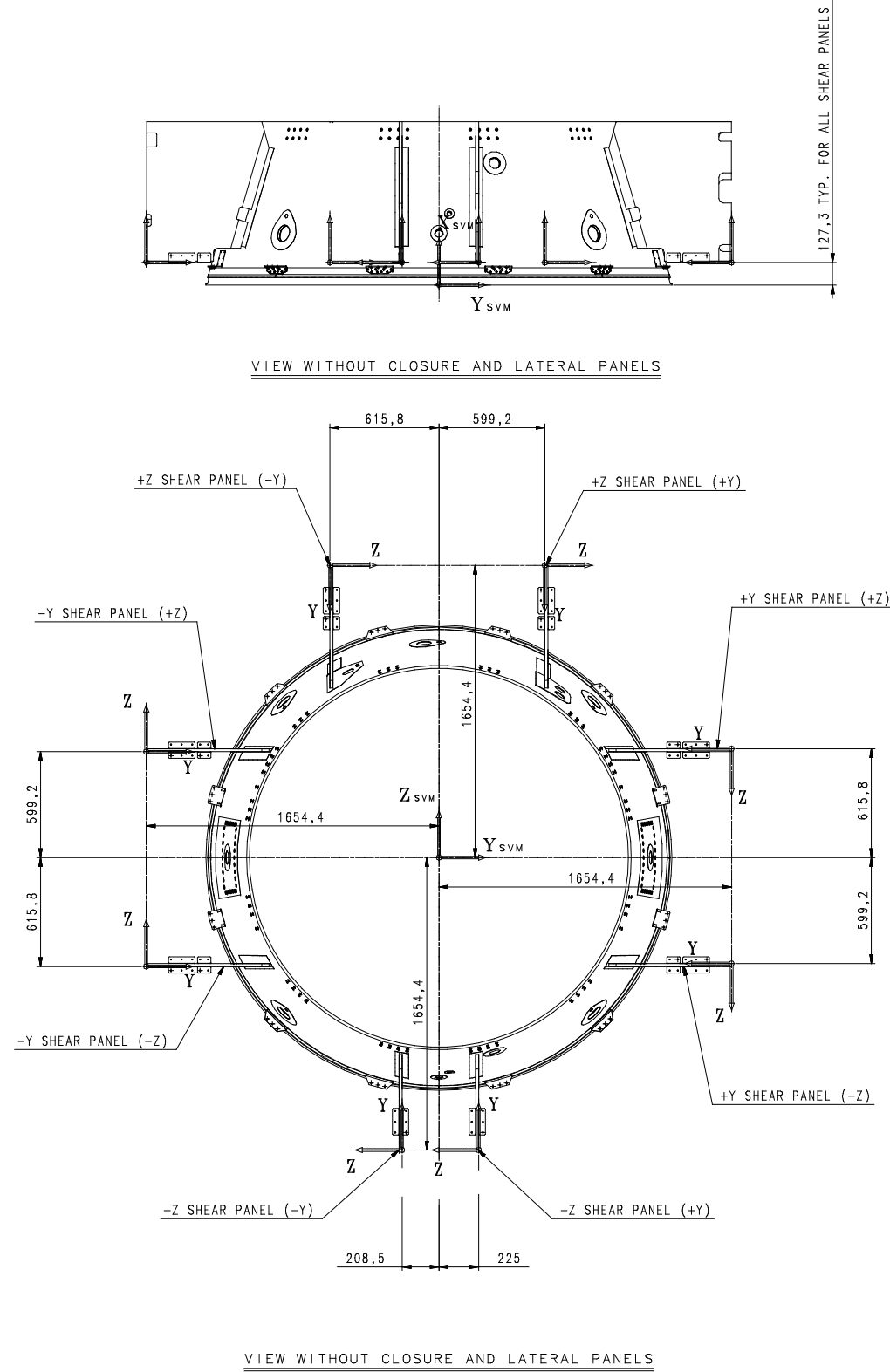
HERSCHEL PLANCK

Figure 02 Sh. 1/2 Rev. A (04 MAY 04)
 Herschel SVM local reference frames



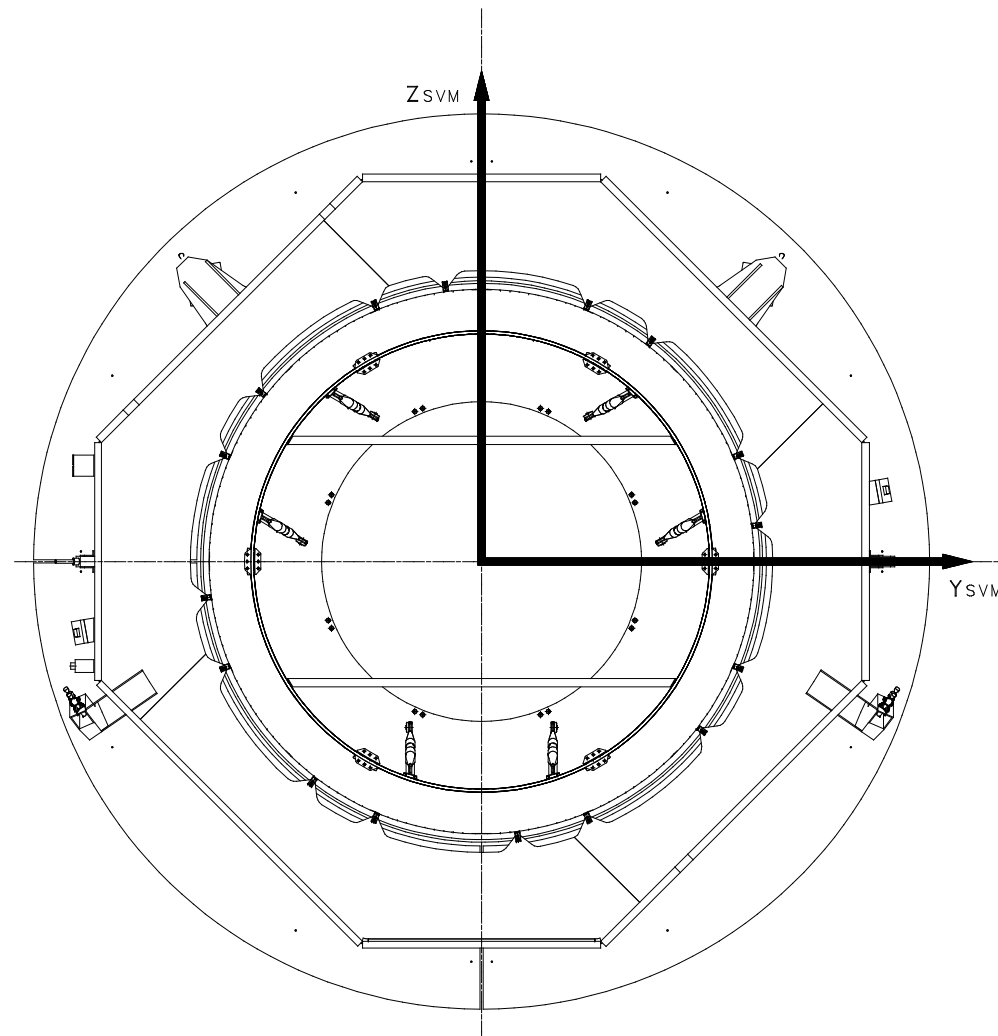
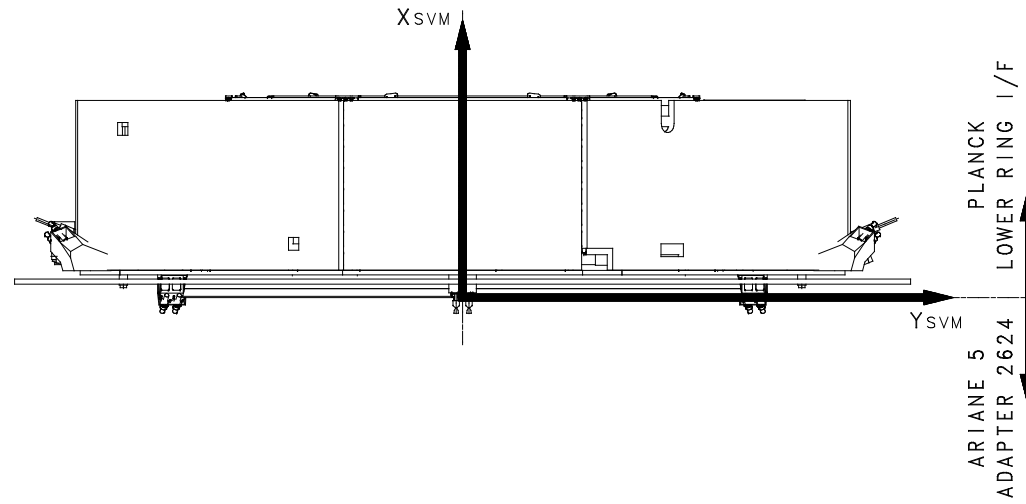
HERSCHEL PLANCK

Figure 02 Sh. 2/2 Rev. A (04 MAY 04)
 Herschel SVM local reference frames



HERSCHEL PLANCK

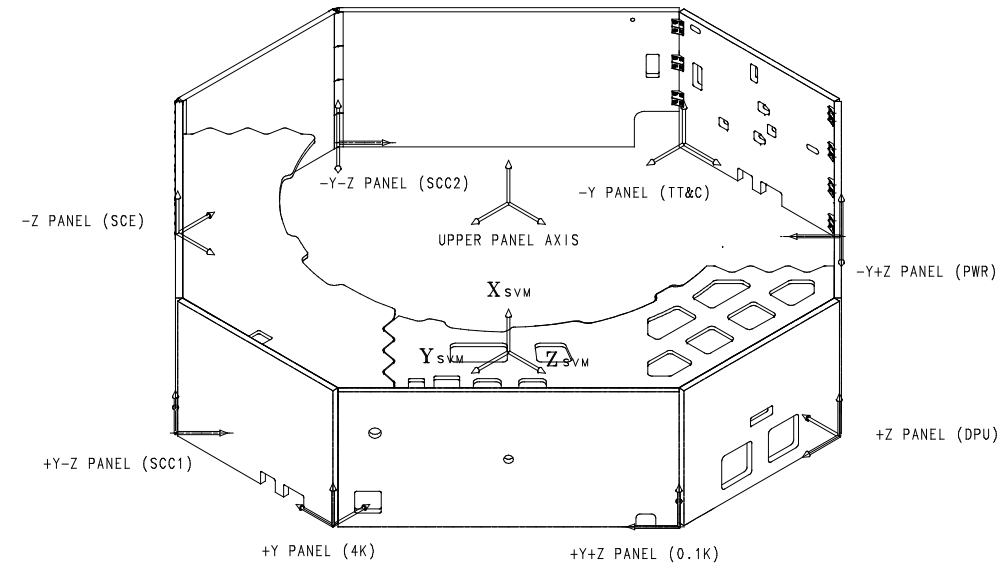
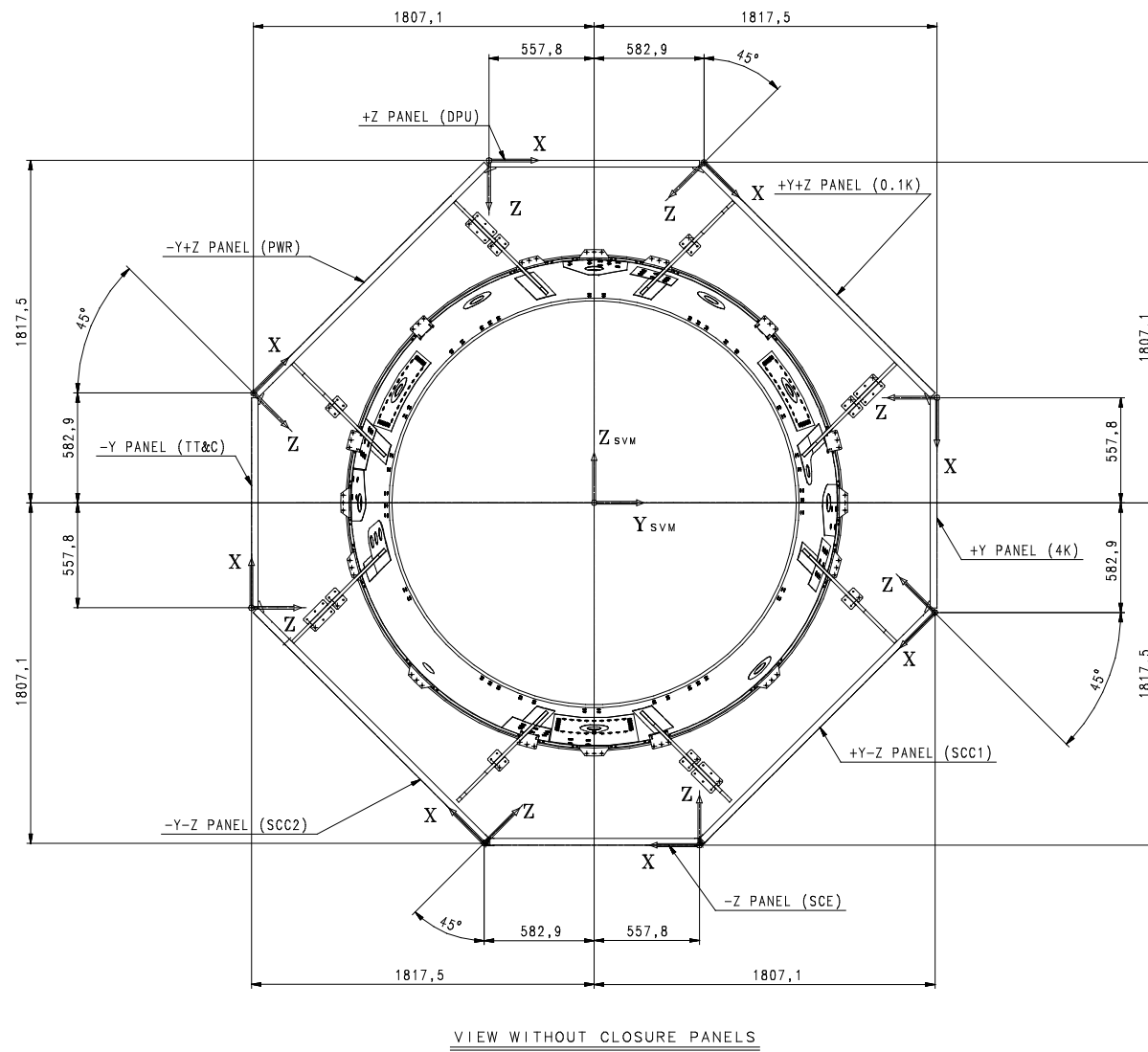
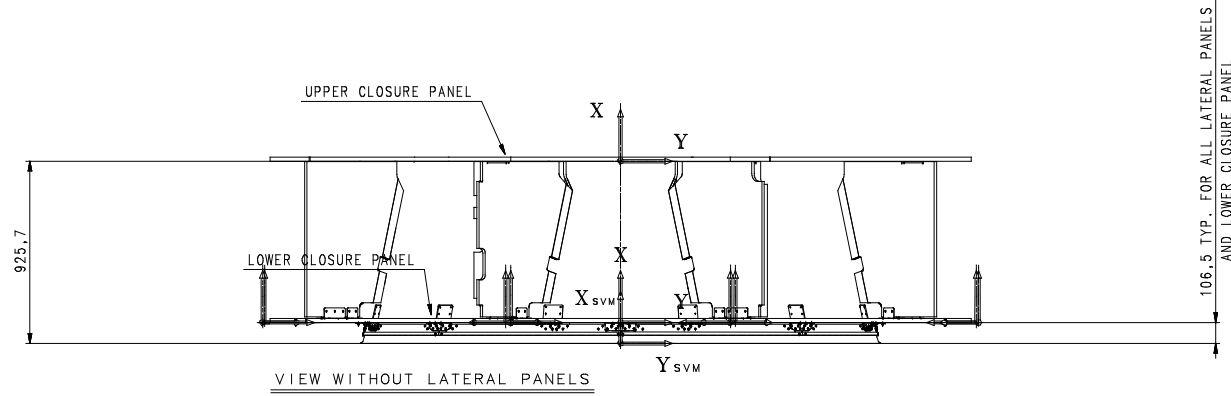
Figure 03 Sh. 1/1 Rev. / (04 DEC 02)
 Planck SVM reference frame



THIS DWG IS INTENDED TO
 IDENTIFY THE LOCATION OF THE REFERENCE FRAMES ONLY
 AND
 IS NOT UPDATED
 IN ACCORDANCE WITH THE LATEST CONFIGURATION

HERSCHEL PLANCK

Figure 04 Sh. 1/2 Rev. B (04 MAY 04)
 PLANCK SVM local reference frames



NOTE: CONE AXIS IS EQUAL TO SVM AXIS

HERSCHEL PLANCK

Figure 04 Sh. 2/2 Rev. A (04 MAY 04)
 Planck SVM local reference frames

