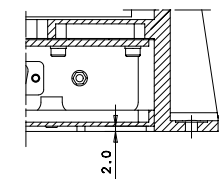
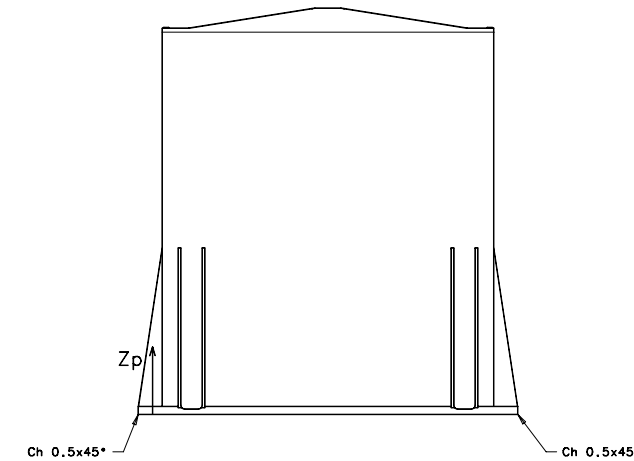
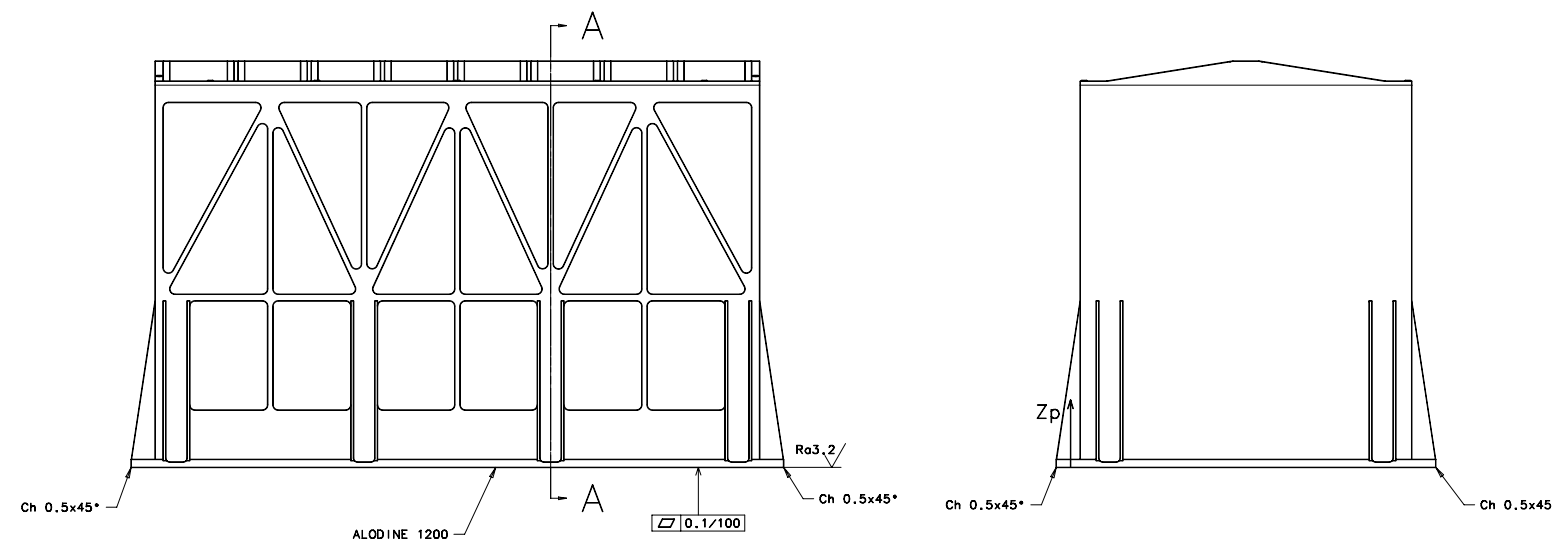
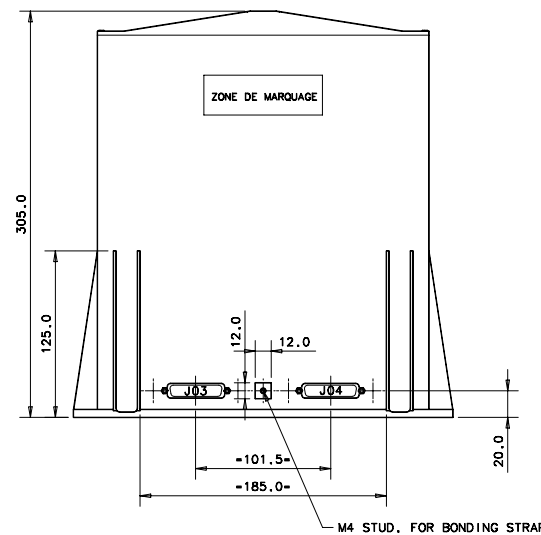


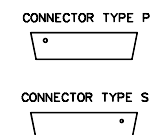
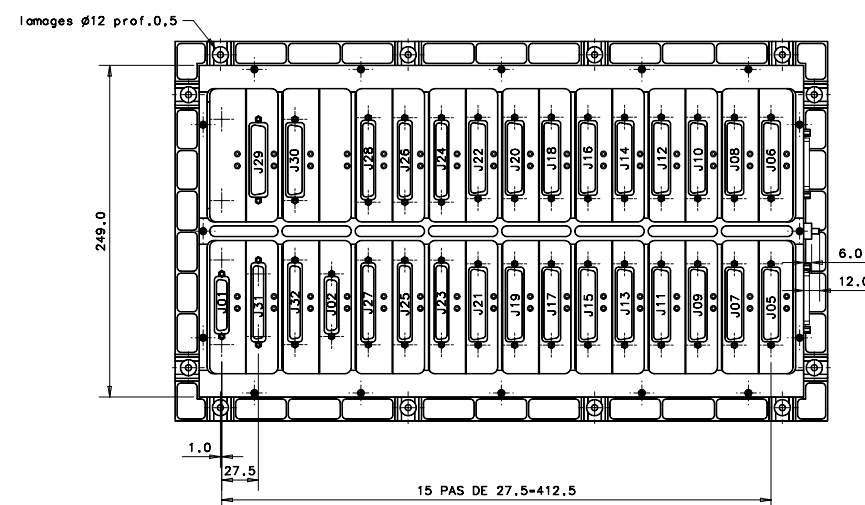
CONNECTORS					
IDENT	TYPE	FUNCTIONS	IDENT	TYPE	FUNCTIONS
J01	DBMA 25S	DAQ_IF_M/DPU_M	J17	DDMA 50P	LIA_P_7/FPU
J02	DBMA 25S	DAQ_IF_R/DPU_R	J18	DDMA 50P	LIA_P_7/FPU
J03	DBMA 25P	DCU/PSU_M	J19	DDMA 50P	LIA_P_8/FPU
J04	DBMA 25P	DCU/PSU_R	J20	DDMA 50P	LIA_P_8/FPU
J05	DDMA 50P	LIA_P_1/FPU	J21	DDMA 50P	LIA_P_9/FPU
J06	DDMA 50P	LIA_P_1/FPU	J22	DDMA 50P	LIA_P_9/FPU
J07	DDMA 50P	LIA_P_2/FPU	J23	DCMA 37P	LIA_S_1/FPU
J08	DDMA 50P	LIA_P_2/FPU	J24	DCMA 37P	LIA_S_1/FPU
J09	DDMA 50P	LIA_P_3/FPU	J25	DCMA 37P	LIA_S_2/FPU
J10	DDMA 50P	LIA_P_3/FPU	J26	DCMA 37P	LIA_S_2/FPU
J11	DDMA 50P	LIA_P_4/FPU	J27	DCMA 37P	LIA_S_3/FPU
J12	DDMA 50P	LIA_P_4/FPU	J28	DCMA 37P	LIA_S_3/FPU
J13	DDMA 50P	LIA_P_5/FPU	J29	DDMA 78S	BIAS_M/FPU
J14	DDMA 50P	LIA_P_5/FPU	J30	DDMA 78S	BIAS_R/FPU
J15	DDMA 50P	LIA_P_6/FPU	J31	DCMA 37S	BIAS_M/FPU
J16	DDMA 50P	LIA_P_6/FPU	J32	DCMA 37S	BIAS_R/FPU

NOTES

MATERIAL AL 6082
 CENTRE OF GRAVITY REFERRED TO REFERENCE HOLE
 X=213.2mm Y=132.4mm Z=157.9mm
 MOMENTS OF INERTIA REFERRED TO CENTRE OF GRAVITY
 JXp=0.471 Kg.m² JYp=0.250 Kg.m² JZp=0.444 Kg.m²
 CONTACT AREA MOUNTING FEET=28180mm²
 THERMAL COATING AND BLACK ANODISING ESA.PSS.703
 SURFACE EMISSIVITY >0.85
 TORQUE VALUE FOR CONNECTOR FIXATION SCREWS=
 - MALE=0.3mN
 - FEMALE=0.45mN
 SPECIFIC HEAT 1170 J/Kg.*K
 ESTIMATED MASS=14442g



COUPE PARTIELLE A-A
 ECHELLE:1/1



Indice	Modifications	Date	Dessiné par	Vérifié par	Approuvé par
E	Mise à jour	01/04	DHENAIN		
D	Ajout coupe A-A	10/02	DHENAIN		
C	Mise à jour	09/02	DHENAIN		
B	Mise à jour	06/02	DHENAIN		
A	Origine	11/01	DHENAIN		

Spécifications particulières			
Tolérances générales		Indice de rugosité général XXXX	SOUS-TRAITANT
		Tol.ang.:±XX°	
		Casser les angles vifs	
Matière:		Protection	
Traitement thermique:		Echelle	Poids
		1/2	Niveau qualité

SPIRE
 HSDCU ELECTRONIC BOX
 MECHANICAL INTERFACE CONTROL DRAWING