

**From:** Guy.Doubrovik@space.alcatel.fr  
**Sent:** 18 March 2004 08:54  
**To:** John Delderfield  
**Cc:** Long, JA (Judy) ; E.C.Sawyer@rl.ac.uk; K.J.King@rl.ac.uk; B.M.Swinyard@rl.ac.uk;  
D.K.Griffin@rl.ac.uk; Goizel, A (Anne-Sophie) ; E.A.Clark@rl.ac.uk; cbb@mssl.ucl.ac.uk;  
Carsten.Scharmberg@esa.int; gerald.crone@esa.int; Faas, Horst;  
Bernard.Collaudin@space.alcatel.fr  
**Subject:** Réf. : Fwd: SPIRE IIDB 3.2 final for ESAsignature  
**Importance:** Low



Comments on  
PIRE IIDB 3-2\_RAL..

Hello John,

When I have received your "IID-B\_3.2\_frontpage.pdf" by the mail from Judy dated 11/03 here under, I didn't know that your comments pages were added inside the pdf file after the RAL signed front page, and nothing else advised me. I discovered this only yesterday, when completing and uploading the IIDB 3.2 final: too late to discuss (above all when your comments contradict ESA IIDB CCB).

Please find here attached (Comments on SPIRE IIDB 3-2\_RAL\_JD\_09-03-04\_GD answer.pdf) your comments with my answers: most of them to be discussed and agreed for the next IIDB issue (on going CR's, IF meeting to be held, ... ). (See attached file: Comments on SPIRE IIDB 3-2\_RAL\_JD\_09-03-04\_GD answer.pdf)

So the issue 3.2 final, as per my mail dated "Wed 17 Mar 2004", file "SPIRE IID-B\_3-2\_final with annexes\_signed RAL-ASP.pdf" is the final signed one to be used

Regards

"Long, JA (Judy) " <J.A.Long@rl.ac.uk> on 11/03/2004 17:51:45

Pour : Bernard Collaudin/ALCATEL-SPACE@ALCATEL-SPACE  
Guy Doubrovik/ALCATEL-SPACE@ALCATEL-SPACE  
"Carsten Scharmberg (carsten.scharmberg@esa.int)"  
<carsten.scharmberg@esa.int>  
cc : "Delderfield, J (John) " <J.Delderfield@rl.ac.uk>  
"Sawyer, EC (Eric) " <E.C.Sawyer@rl.ac.uk>  
Objet : SPIRE IID-B version 3.2 signed front page

Dear all,  
Please find attached the SPIRE IID B signed front page. <<IID-B\_3.2\_frontpage.pdf>>  
Kind Regards, Judy

John Delderfield <j.delderfield@rl.ac.uk> on 17/03/2004 17:21:42

Pour : Guy Doubrovik/ALCATEL-SPACE@ALCATEL-SPACE

cc : "Long, JA (Judy) " <J.A.Long@rl.ac.uk>  
E.C.Sawyer@rl.ac.uk  
K.J.King@rl.ac.uk  
B.M.Swinyard@rl.ac.uk  
D.K.Griffin@rl.ac.uk  
"Goizel, A (Anne-Sophie) " <A.Goizel@rl.ac.uk>  
E.A.Clark@rl.ac.uk  
<cbb@mssl.ucl.ac.uk>  
Objet : Fwd: SPIRE IIDB 3.2 final for ESA signature

Thanks

Note omission of comments RAL made when signing.

RAL persons. It's on Q: under Systems Eng.

John

>X-RAL-MFrom: <Guy.Dobrovik@space.alcatel.fr>  
>X-RAL-Connect: <colt-na7.alcatel.fr [62.23.212.7]>  
>Subject: SPIRE IIDB 3.2 final for ESA signature  
>To: Thomas.passvogel@esa.int, matt.griffin@astro.cf.ac.uk  
>Cc: Jean-Jacques.Juillet@space.alcatel.fr, gerald.crone@esa.int,  
> Carsten.Scharmberg@esa.int, Bernard.Collaudin@space.alcatel.fr,  
> "Idler, Siegmund" <Siegmund.Idler@astrium.eads.net>,  
> "Faas, Horst" <>,  
> "Marco Cesa" <marco.cesa@sofiter.it>, msias@to.alespazio.it  
>From: Guy.Dobrovik@space.alcatel.fr  
>Date: Wed, 17 Mar 2004 16:29:06 +0100  
>  
>Gentlemen,  
>  
>Please find on our Alcatel ftp server, the SPIRE IIDB 3.2 final,  
>already signed by RAL-SPIRE and ASP, and waiting for ESA signature.  
>  
>This IIDB 3.2 will be officially transmitted to ASED and ALS after this  
ESA  
>signature  
>  
>This ESA signature is expected by us before 22 March (begining week #  
>13)  
>  
>ftp://ftp.hp-instruments.as-b2b.com/industry\_to\_instruments/IIDs/IID-B  
>SPIRE/  
>file:  
>SPIRE IID-B\_3-2\_final with annexes\_signed RAL-ASP.pdf  
>  
>Regards  
>  
>Guy DOUBROVIK  
>  
>ALCATEL SPACE  
>Herschel-Plank Project , Cannes  
>Tel : 33 (0)4 92 92 69 27 / Fax : 33 (0)4 92 92 30 10  
>Porte : Y04-113 / E-Mail : guy.dobrovik@space.alcatel.fr

--  
John Delderfield,  
Rm 1-63, R25, RAL.  
Tel:44-1235-446412  
j.delderfield@rl.ac.uk

Guy DOUBROVIK

ALCATEL SPACE

Herschel-Plank Project , Cannes

Tel : 33 (0)4 92 92 69 27 / Fax : 33 (0)4 92 92 30 10

Porte : Y04-113 / E-Mail : [guy.doubrovik@space.alcatel.fr](mailto:guy.doubrovik@space.alcatel.fr)

**Comments on SPIRE IID-B\_3-2\_RAL\_JD**  
**With Guy Doubrovik answers**

From: John Delderfield      9th March 2004  
To: Alcatel/ESA/Astium EADS   cc. Eric Sawyer, Matt Griffin

**SCI-PT-IIDB/Spire-02124 issue 3.2 sign off notes.**

**SPIRE IID-B v 3.2**

To define a baseline CDR position Spire Project agreed at the last progress meeting to sign off on this version, subject to the ESA control board recommendations and subject to our tabling a list of items in the documents that we know need progressing as normal work. This is that list.

Lastly by way of introduction, sending E-mails that omit to mention these caveats is unhelpful and detracts rather than adds to the process.

Since taking it, on Guy.Doubrovik of Alcatel has done an excellent job of controlling and updating this document, and Spire thanks him for his work, approach and patience. **Thanks a lot !!**

Checking the updates 3.0 to 3.1 to 3.2, there are just a few points arising but overall this tidying has worked well despite much of it only being in the Document change record, not tracked by ECRs.

**p 0-11**

- Change to **section 5.7.1.3**, should be "information" not "informations" and also on page 5-19. **Done on 3.2 final.**
- Change to **section 5.11.1.2**. This is not what it seems and Spire does NOT accept it. There is a very long standing agreement to the requirement for this capability and the TBC insertion breaks this. **Required by ESA CCB, to be fixed in next issue for Syst CDR.**
- Change to **section 5.14.3** is on page 5-43 not 5-44. **Done on 3.2 final.**

**p 2-1**

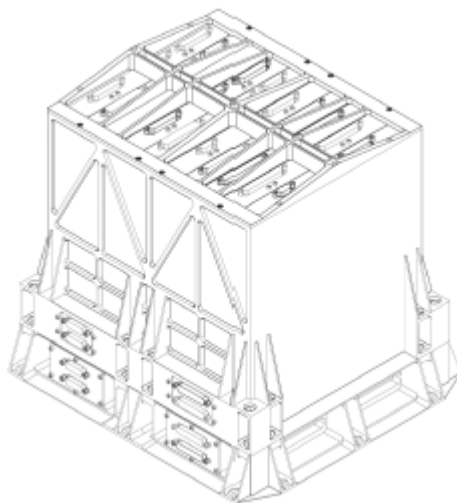
Twice, one word "hereafter", not "here after". **Done on 3.2 final.**

**p 5-3**

Note that **Spire is at 5-7 not 5-6**, but changes are not to any IID-B I/Fs so this is not IID-B important. **To be fixed in next issue for Syst CDR.**

**p 5-11**

**Figure 5.4-8**. HSFCU has webbed feet and looks like: **To be fixed in next issue for Syst CDR.**

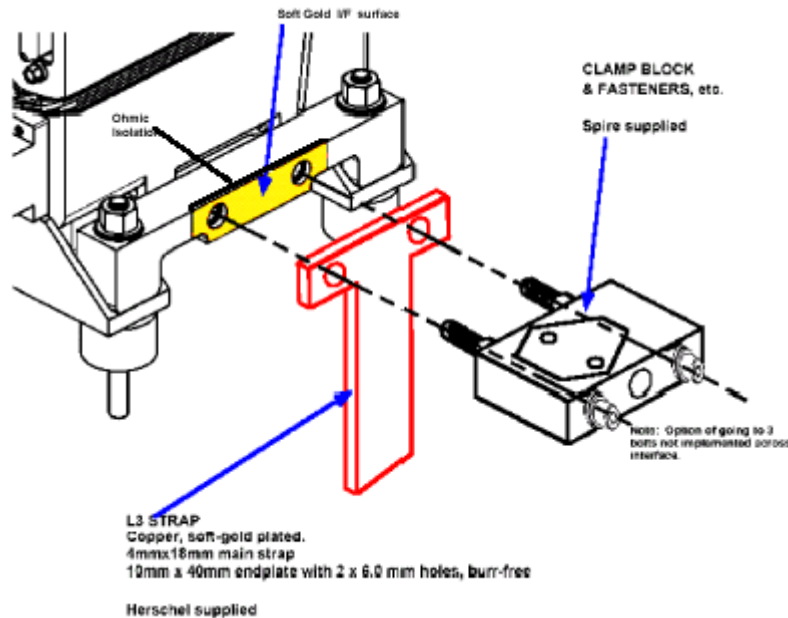


**p 5-12**

Remove line referencing SPIRE-RAL-DWG-001409 as it repeats the line below and calls up an out of date issue, and add "SPIRE-RAL-DWG-001409" after annex 1 to this line below. **To be fixed in next issue for Syst CDR.**

**p 5-14**

Change words "Kapton Tape" in 7<sup>th</sup> paragraph to "Ohmic isolation", and drop in this updated diagram: **To be fixed in next issue for Syst CDR.**



**p 5-17**

remove issue 2.3 from reference to reduced TMM, a. so text is more generalised, and b. because we are on issue 2.5 already anyway. **To be fixed in next issue for Syst CDR.**

**p 5-18**

- First paragraph, remove superstition; change "witch" to "which". **Done on 3.2 final.**
- But more importantly, this whole paragraph has errors: MN-3513 on 5/9 is entitled a Progress and I/F meeting not Convergence and MN 3961 is likewise on 18/11. It needs to be much clearer that the ethos of section 5.7.1 arises from the ESTEC meeting convened by Chris Jewell. Spire refers Alcatel to RAL's inputs to the minutes of L3 of that meeting. **To be fixed in next issue for Syst CDR.**

**p 5-23**

Remove reference to SPIRE reduced TMM as it is repeated in page 5-17 and not much use tucked away in a section on temperature sensors. **To be fixed in next issue for Syst CDR.**

**p 5-25**

Remove note at bottom of section 5.9.1 as 2.5 TMM is not a future item....delivered end January. **To be fixed in next issue for Syst CDR.**

**p 5-30**

RAL does intend to issue HDD 1.2 which will amalgamate 1.1 with NOT 1819 issue 3. **To be fixed in next issue for Syst CDR.**

**p 5-38**

REQ-0200 is wrong. Recent E-mail corrects. **To be fixed in next issue for Syst CDR.**

**p 5-46**

Remove Note 2 . Done. **To be fixed in next issue for Syst CDR** (but today we still not have consolidated and aged drawings).

**P 5-44**

Section 5.15.1.2. The goal is now less demanding than the requirement and should be deleted. **To be fixed in next issue for Syst CDR**

**Annexes:**

Please note that Document pack 10 and RTMM 2.5 are out, and that pack 10 travels with a covering E-mail that spells out a few future developments. **To be fixed in next issue for Syst CDR**