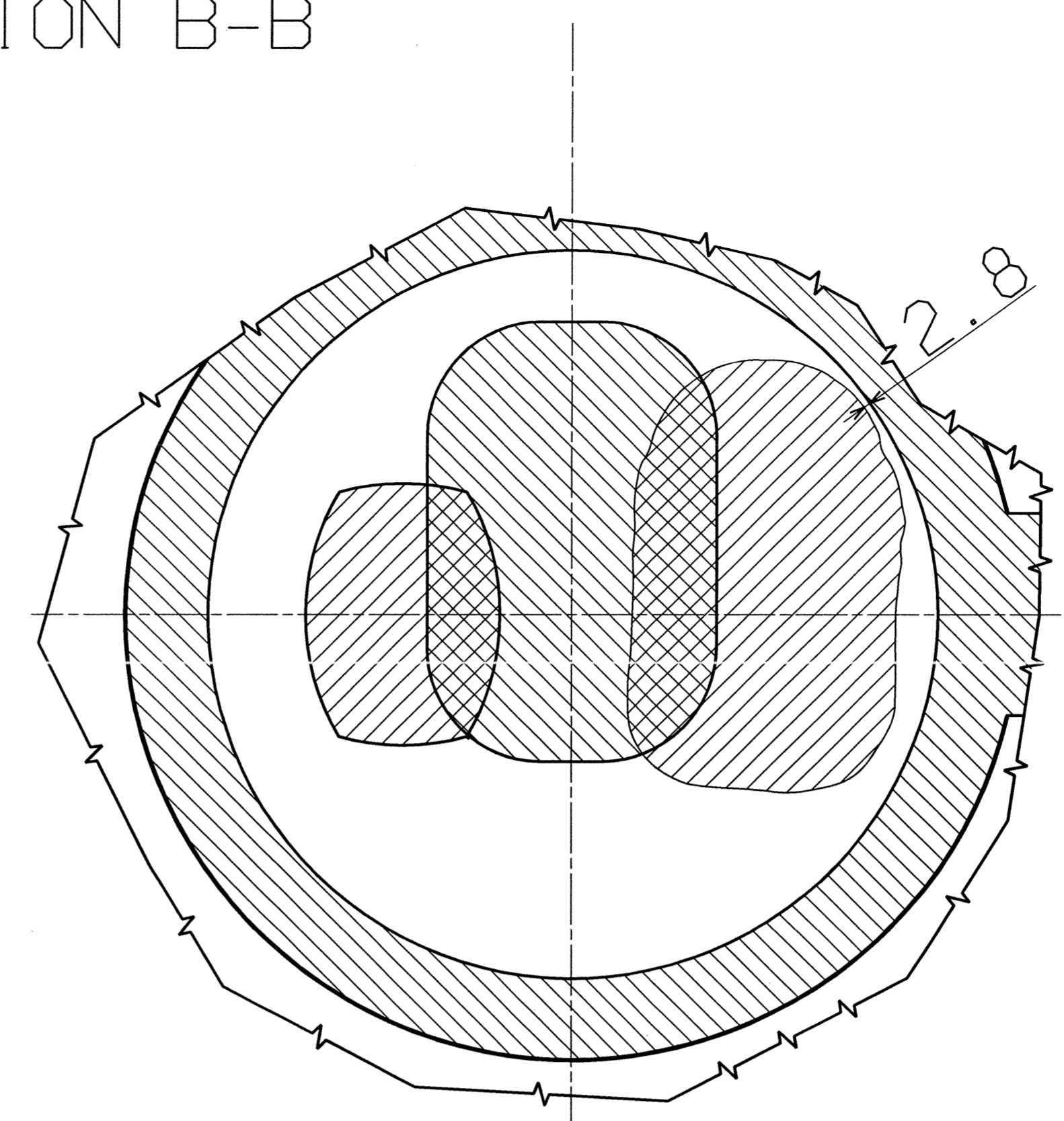
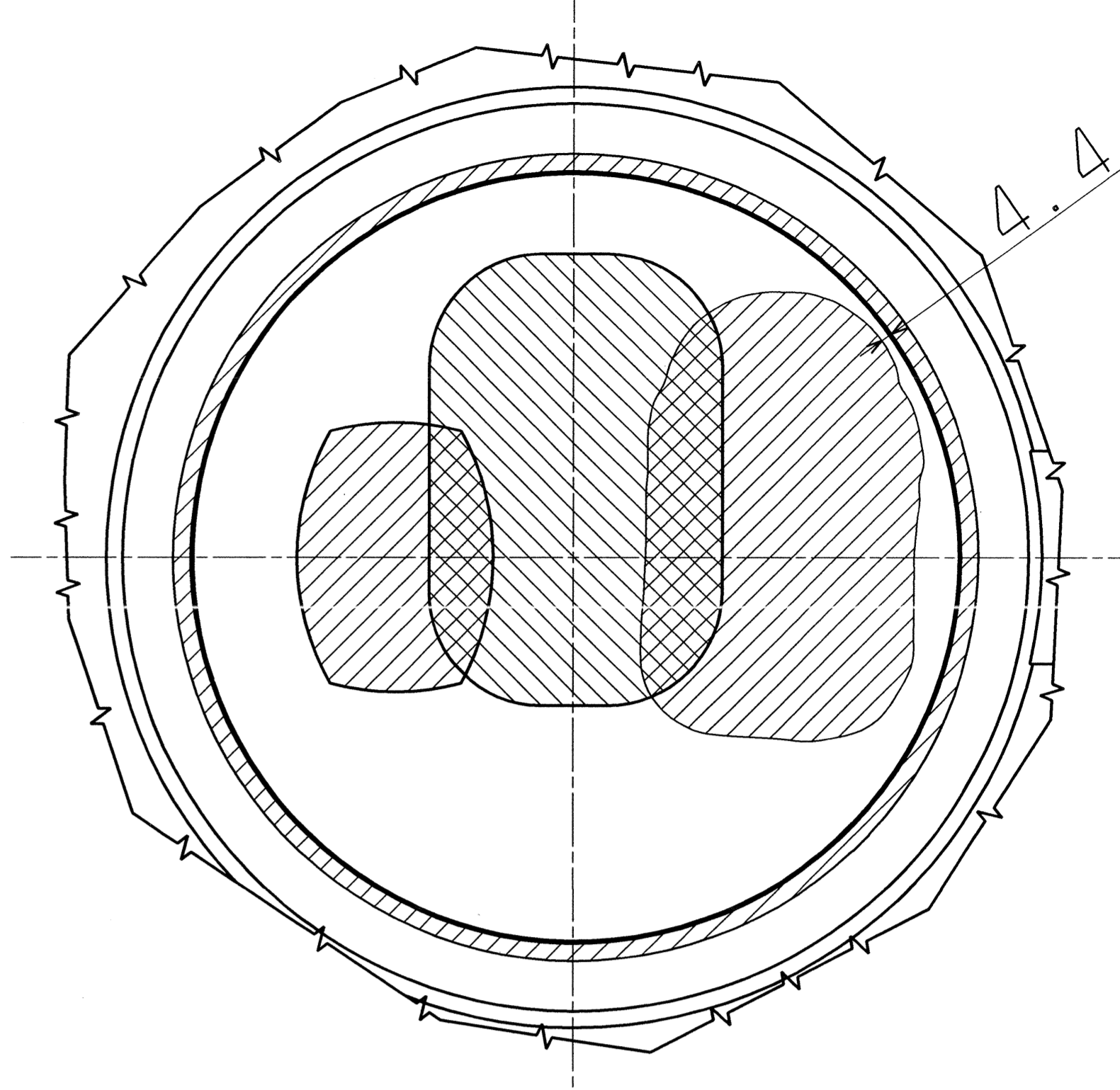


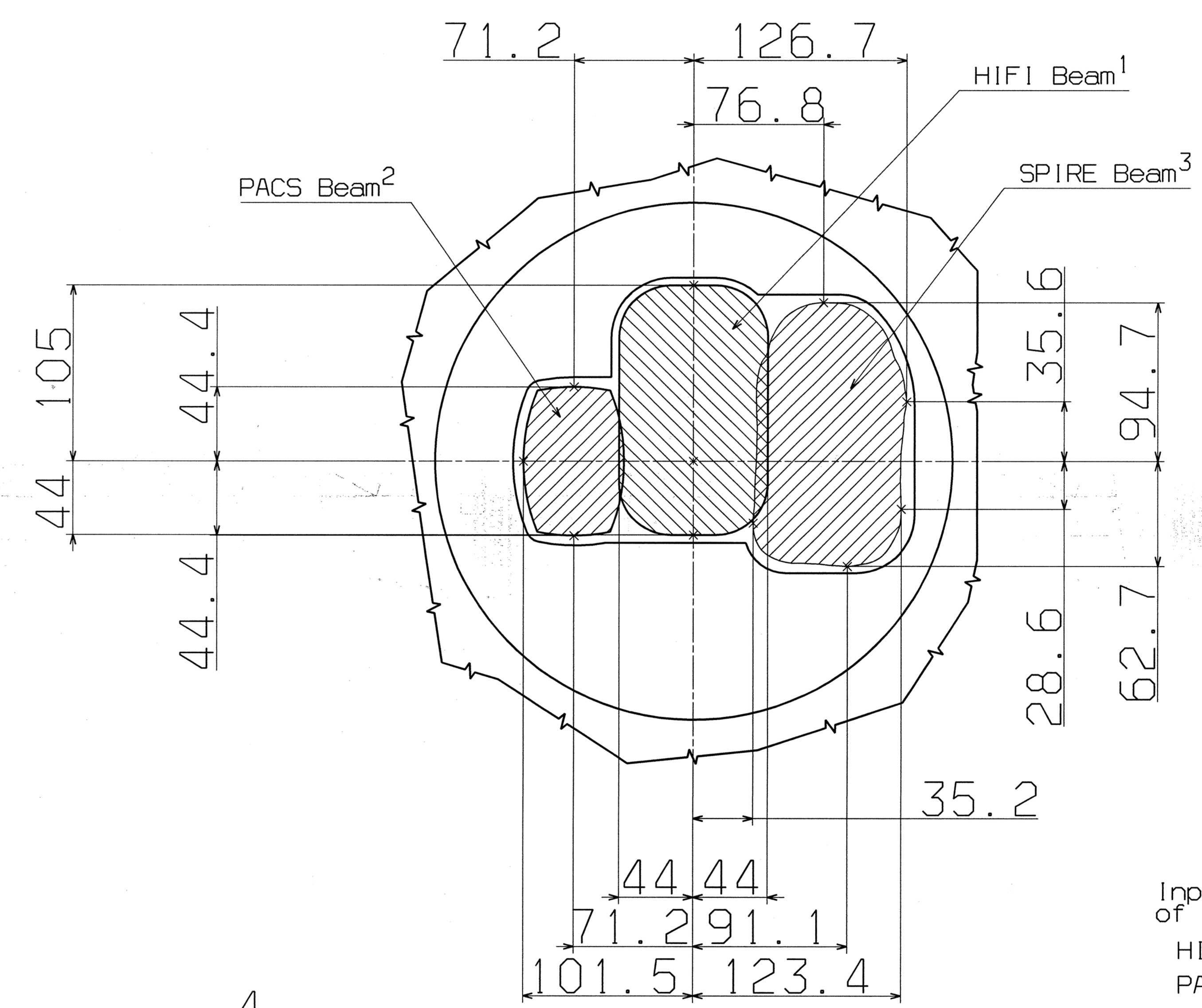
SECTION B-B



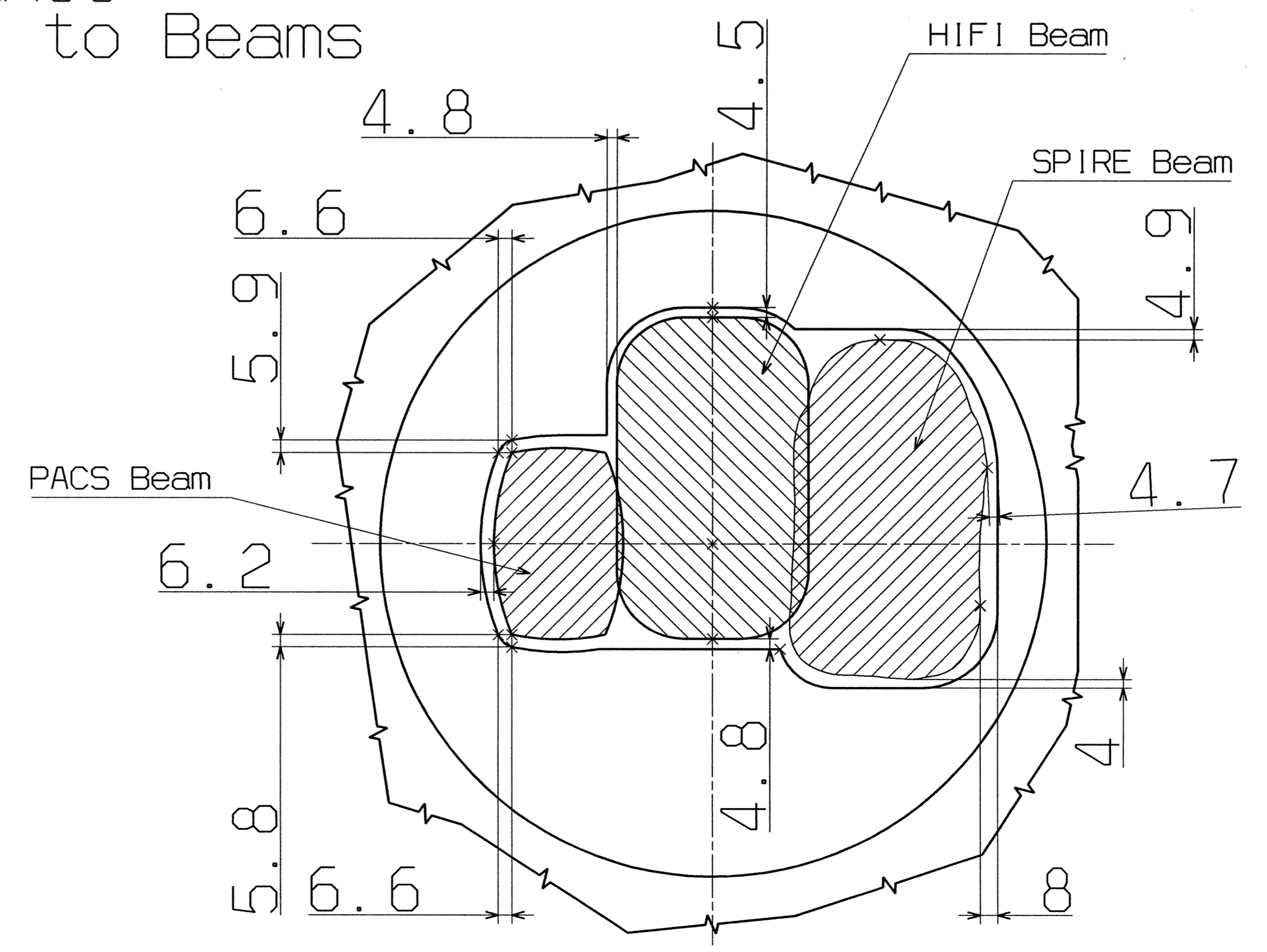
SECTION D-D



SECTION C-C



Clearance⁴
Baffle to Beams



Input used for CATIA definition
of Instrument Beams in Orbit case:
HIFI: IID B, Iss. 2, Rev. 2
PACS: IID B, Iss. 2, Rev. 1
SPIRE: SPIRE-RAL-NOT-001242, Date: 18.04.2002
All Sections consider Orbit Case.

- Beam properties considered in this Model
- 1) HIFI: Not diffraction sensitive
No system level alignment included
 - 2) PACS: No diffraction considered
No system level alignment included
 - 3) SPIRE: Diffraction considered
System level alignment included
 - 4) In Orbit Case, nominal assembly values shown.
This means possible assembly deviations and
manufacturing tolerances not considered.

100 mm in Masstab 1:1

FREIGABE: 15.07.03 / Knebel		FESTIGKEIT:		VERTEILER:		DATUM:	
HP-2-ASED-ID-0063-02-0B		CI-121000		CH: W. W. W. W. W. W.		AS: M. O. S.	
ZUL. ABW.: 150 2768-m		OBERFL.: ISO 2768-m		MASSTAB: 1:2		GEW.:	
DATUM: 25.07.03		NAME: Seal		Herschel PFM		Baffles Assembly (Main Beam)	
ALSO: 25.07.03		NAME: astrium		2547-121000-900-02-0B		ERS. D.: 2	

Drawing Change List
HP-2-ASED-ID-0063-02-0B: Baffles Assembly (Main Beam)

Related Drawing Section	Objective	Grid location	Actual Status Issue B	Previous Status Issue A
All Views	Main Beam sections		New Sheet added	-