

SPIRE-RAL-NOT-001816

Definition of Optically Black Surfaces on SPIRE

Douglas Griffin

Issue 0.1 - Friday, 19 September 2003

Photometer Cold Stop – Figure 1

Keep out zone for Photometer Cold Stop – Figure 2

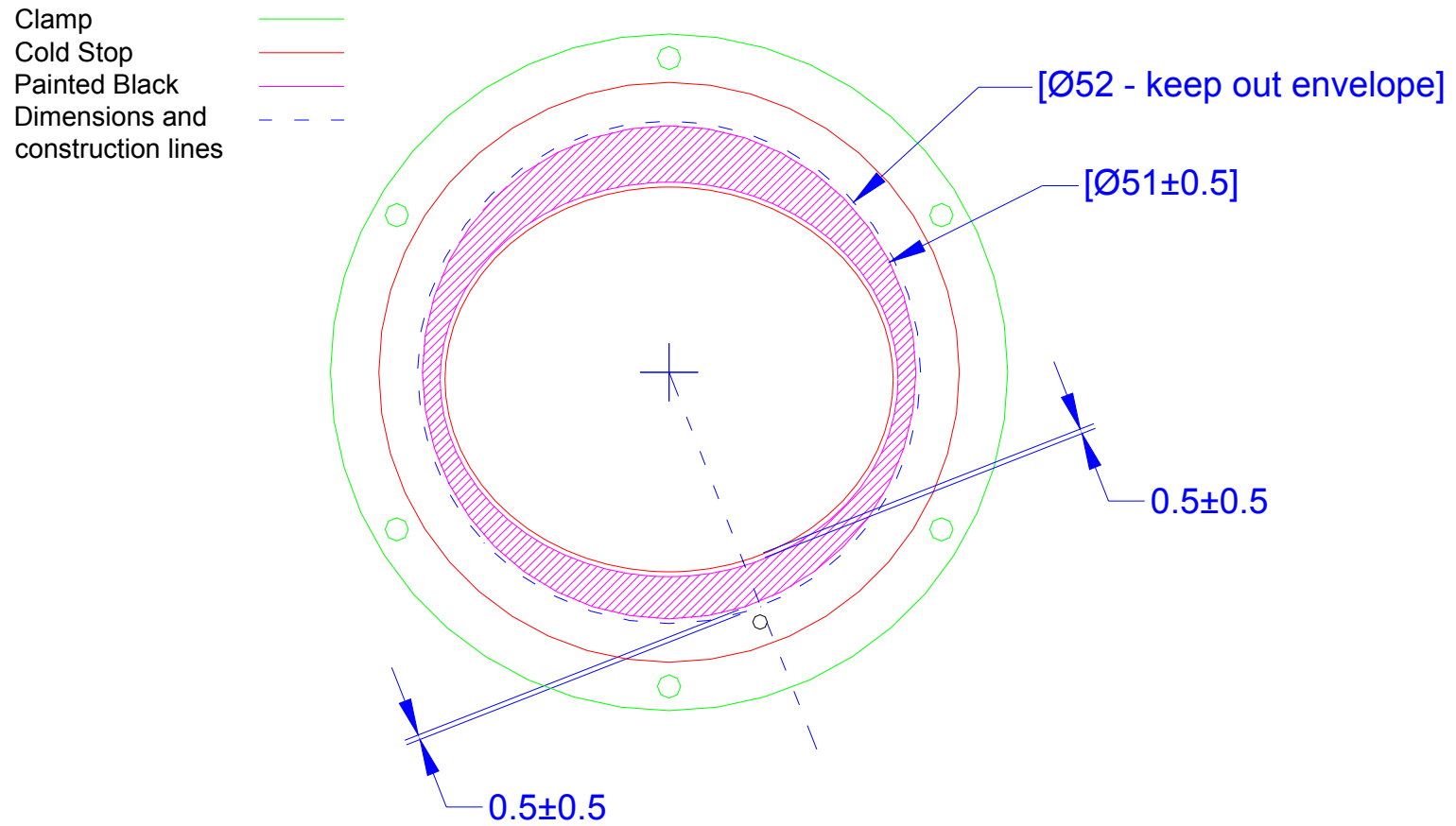
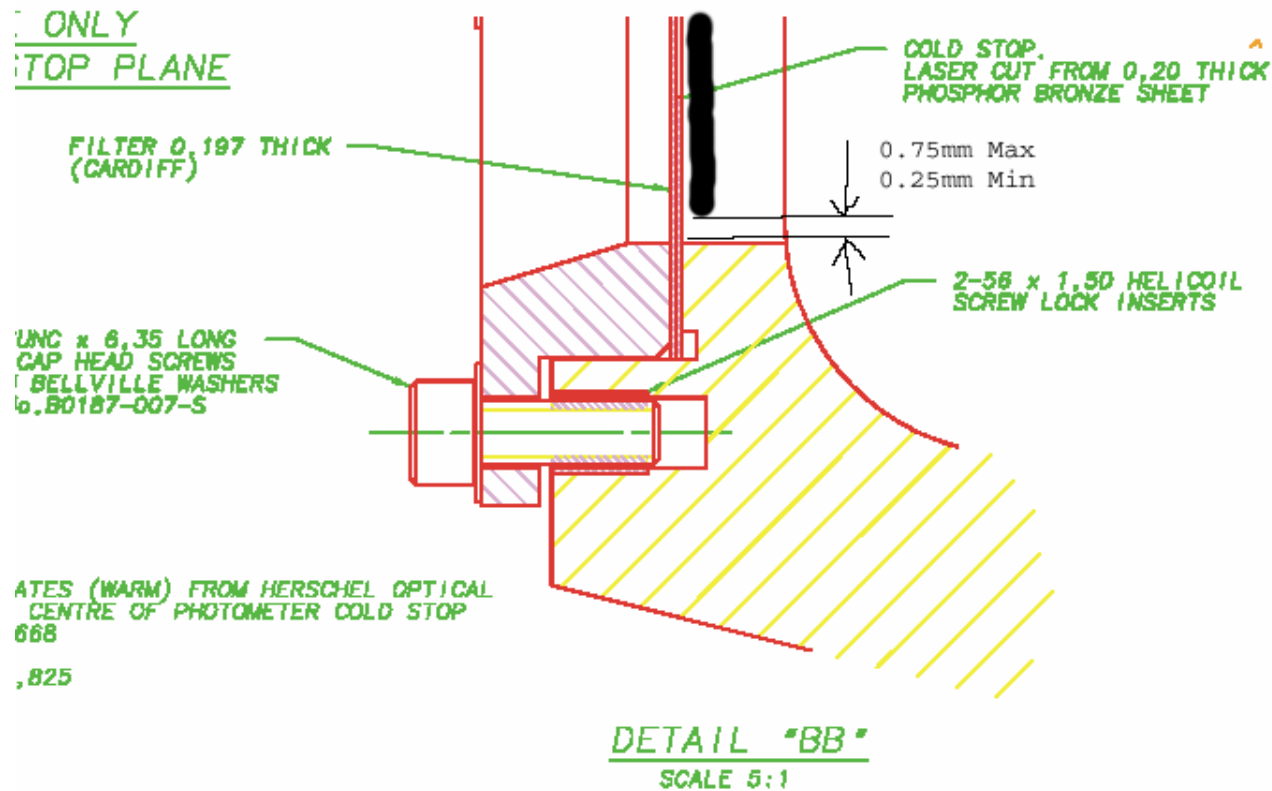


Figure 1 - View of cold stop and mount from inside the Photometer Detector box detailing the surface to be coated with optical black.



IS
10

DEPARTMENT OF SPACE AND CLIMATE PHYSICS
UNIVERSITY COLLEGE LONDON
MULLARD SPACE SCIENCE LABORATORY, HOLMBURY ST. MARY

Figure 2 - Extra details of keep out zone.