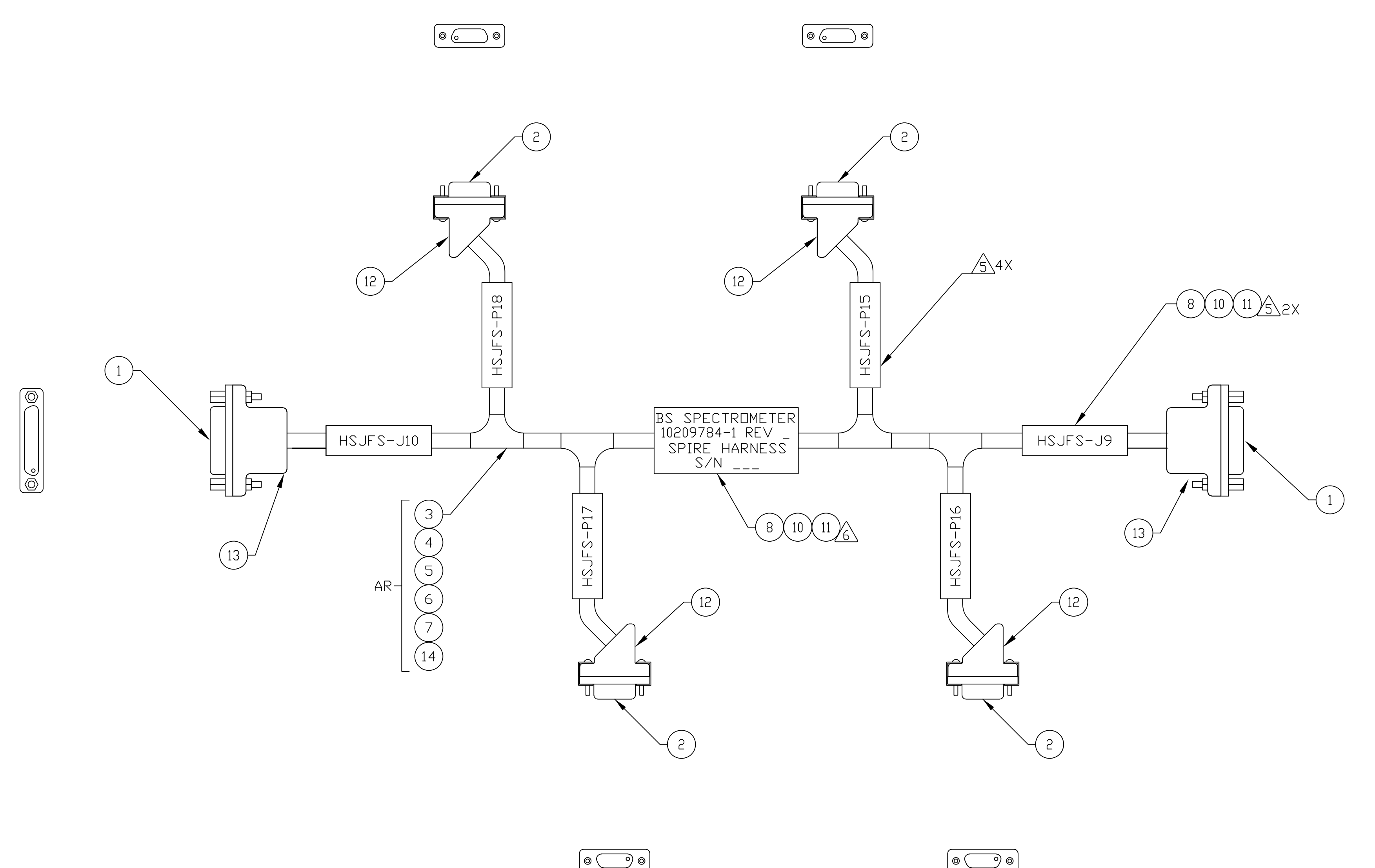


LTR		ZONE		DESCRIPTION										REVISIONS									
A				INITIAL RELEASE										SEE TITLE BLOCK									



- 8. INDICATES TWISTED WIRE GROUP.
 - 7. ALL INTERCONNECT WIRING IS 26 AWG COPPER.
 - IDENTIFY HARNESS AND CONNECTOR PER JPL D-8208, SECTION 3.12 USING ITEMS 8, 10, AND 11. ADD APPLICABLE REVISION LEVEL AND SERIAL NUMBER.
 - IDENTIFY CONNECTORS PER JPL D-8208, SECTION 3.12 USING ITEM 10 AND 11. ALTERNATE METHOD MARK CONNECTOR DIRECTLY USING ITEM 8.
 - 4. TIE CABLE AS REQUIRED USING ITEM 7, LACING TAPE.
 - 3. ALTERNATE OR EQUIVALENT PARTS MAY BE USED SUBJECT TO PRIOR ENGINEERING APPROVAL.
 - 2. FABRICATE HARNESS ON A FULL SCALE MOCKUP OF HARDWARE. BUNDLES SHOULD LIE AS SHOWN ON RAL DOCUMENT 0-KE-0104-360.
 - 1. FABRICATE CABLE PER JPL D-8208, SECTION 3.12.
- NOTES: UNLESS OTHERWISE SPECIFIED

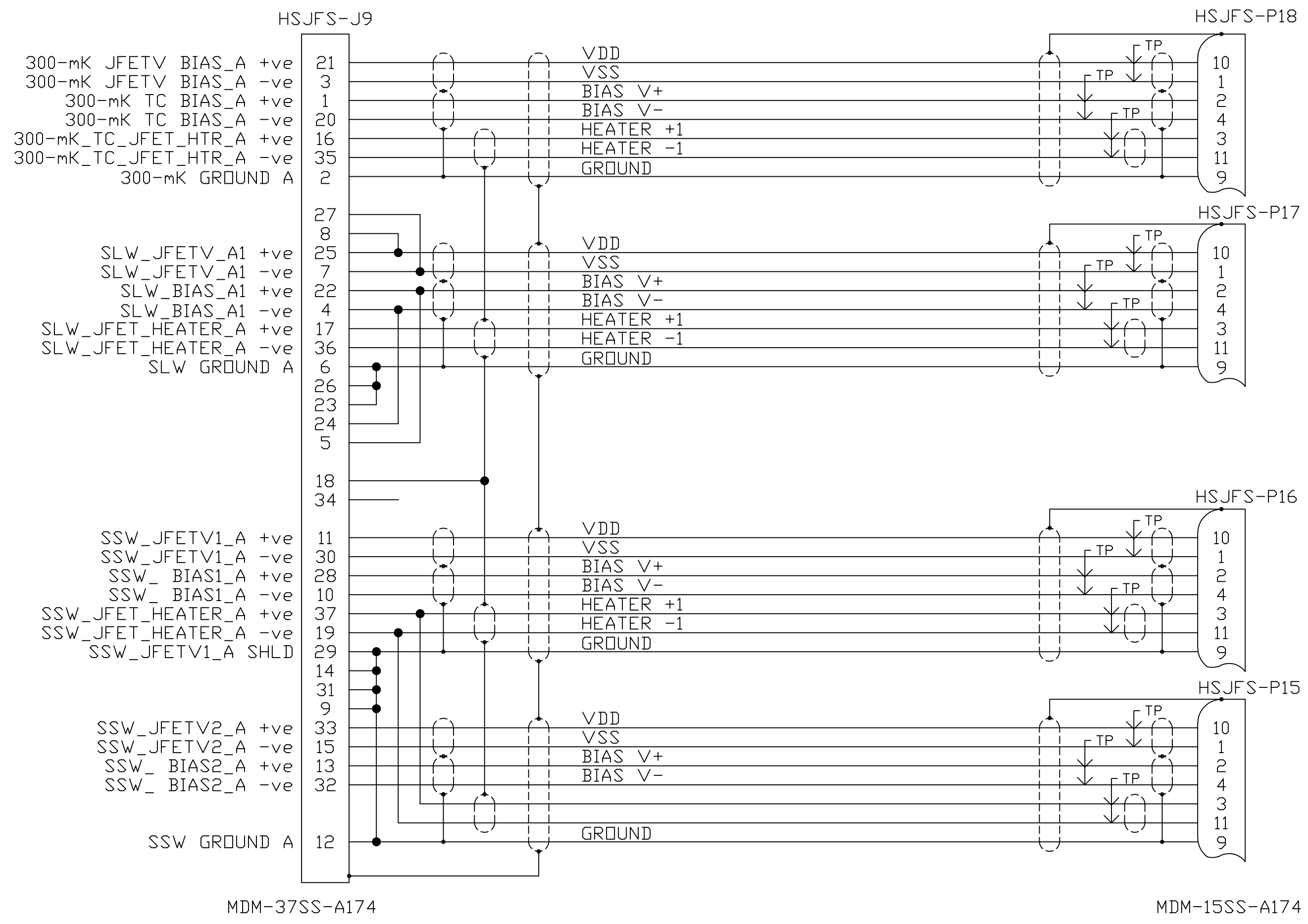
QTY	REQD	ITEM NO	REF DES	CAGE NO	PART OR IDENTIFYING NO	NOMENCLATURE OR DESCRIPTION	SPECIFICATION	MATERIAL OR NOTE	ZONE
	AR	14			ST11478-26-ET	WIRE, SC, 26 AWG			
	2	13			500-047M37F	BACKSHELL, 37		GLENAIR	
	4	12			500E010M15H08	BACKSHELL, 15		GLENAIR	
	AR	11			ST10088	TAPE, KAPTON			
	AR	10			ST10021	TAPE, GLASS CLOTH			
	AR	9				SOLDER	QQ-S-571	SN63	
	AR	8				INK, MARKING - BLACK	BS502673	WORNOWINK SERIES M	
	AR	7			ST12013	TAPE, LACING			
	AR	6			ST10027	TUBING, INSULATION, SHRINKABLE			
	AR	5			ST10039	FERRULE, TWO PIECE			
	AR	4			ST12015	BRAID WIRE, COPPER, SILVER COATED			
	AR	3			ST11481-26-ET	WIRE, TPSJ, 26 AWG			
	4	2	HSJFS-SX		MDM-15SSB-A174	CONNECTOR, MICRO D, 15-SKT			
	2	1	HSJFS-SF		MDM-37SSP-A174	CONNECTOR, MICRO D, 37-SKT			

<p>MATERIAL</p> <p>METRIC</p> <p>THIRD ANGLE PROJECTION</p>	<p>UNLESS OTHERWISE SPECIFIED DIMENSIONS ARE IN MILLIMETERS</p> <p>LINEAR TOLERANCES:</p> <p>0-6 ± 0.1</p> <p>OVER 6-30 ± 0.2</p> <p>OVER 30-120 ± 0.3</p> <p>OVER 120-315 ± 0.5</p> <p>OVER 315-1000 ± 0.8</p> <p>OVER 1000 ± 1.2</p> <p>ANGULAR TOLERANCES: ± 0.5°</p> <p>MACHINE FINISH (MICROMETERS) 3.2 ✓</p> <p>DO NOT SCALE DRAWING INTERPRET DWG PER ANSI Y14.100M</p>	<p>CONTRACT NO 1244858</p> <p>APPD _____ DATE _____</p> <p>DWN D CRUMB 11/05/01</p> <p>CHK _____</p> <p>STRUCT _____</p> <p>MATL _____</p> <p>THRM CONT _____</p> <p>ENGR _____</p> <p>DGNS SUPV _____</p>		<p>JET PROPULSION LABORATORY</p> <p>CALIFORNIA INSTITUTE OF TECHNOLOGY</p> <p>PASADENA, CA 91109</p> <p>RELEASED THROUGH EDMG</p> <p>HARNESS, SPECTROMETER JFETS, SPIRE</p>	
		<p>SPIRE USED ON _____</p> <p>APPLICATION _____</p>	<p>SIZE A1</p> <p>CAGE NO 23835</p> <p>SCALE NONE</p>	<p>10209784</p> <p>UNCLASSIFIED</p> <p>SHEET 1 OF 3</p>	<p>REV A</p> <p>REV 2/00</p>

A1 10209784

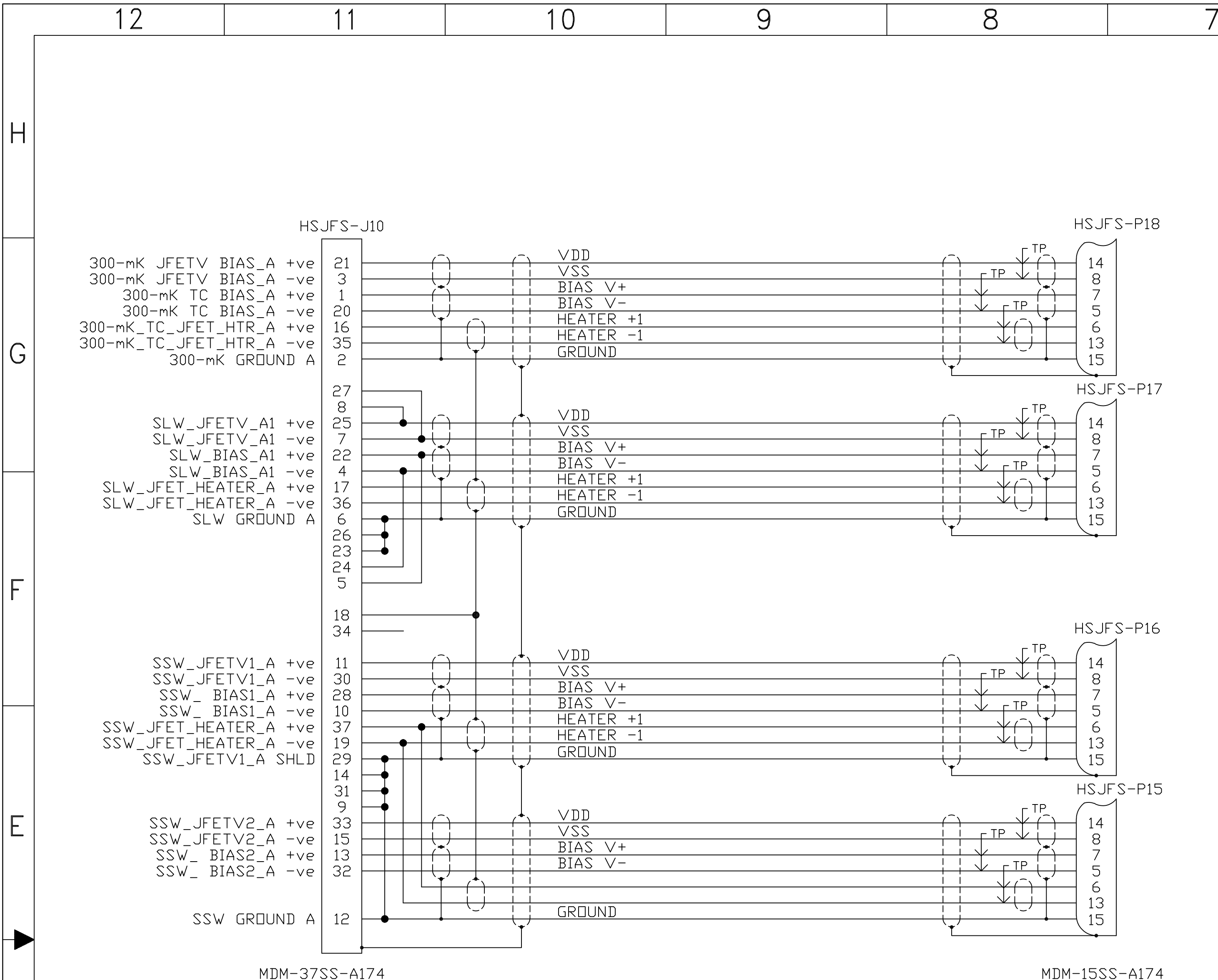
AutocAD GENERATED

BS SPECTROMETER



FROM	CONNECTOR PART NO.	CONTACT PART NO.	TO	CONNECTOR PART NO.	CONTACT PART NO.	WIRE AWG & TYPE	TWIST GROUPS	SIGNAL
HSJFS-J9-21	MDM-37SS-A174	—	HSJFS-P18-10	MDM-15SS-A174	—	#26 (TPSJ)	AA	300-mK JFETV BIAS_A +ve
HSJFS-J9-3	MDM-37SS-A174	—	HSJFS-P18-1	MDM-15SS-A174	—	#26 (TPSJ)	AA	300-mK JFETV BIAS_A -ve
HSJFS-J9-1	MDM-37SS-A174	—	HSJFS-P18-2	MDM-15SS-A174	—	#26 (TPSJ)	AB	300-mK TC BIAS_A +ve
HSJFS-J9-20	MDM-37SS-A174	—	HSJFS-P18-4	MDM-15SS-A174	—	#26 (TPSJ)	AB	300-mK TC BIAS_A -ve
HSJFS-J9-16	MDM-37SS-A174	—	HSJFS-P18-3	MDM-15SS-A174	—	#26 (TPSJ)	AC	300-mK_TC_JFET_HTR_A +ve
HSJFS-J9-35	MDM-37SS-A174	—	HSJFS-P18-11	MDM-15SS-A174	—	#26 (TPSJ)	AC	300-mK_TC_JFET_HTR_A -ve
HSJFS-J9-2	MDM-37SS-A174	—	HSJFS-P18-9	MDM-15SS-A174	—	#26 (SCSJ)		300-mK GROUND A
HSJFS-J9-25	MDM-37SS-A174	—	HSJFS-P17-10	MDM-15SS-A174	—	#26 (TPSJ)	AD	SLW_JFETV_A1 +ve
HSJFS-J9-7	MDM-37SS-A174	—	HSJFS-P17-1	MDM-15SS-A174	—	#26 (TPSJ)	AD	SLW_JFETV_A1 -ve
HSJFS-J9-22	MDM-37SS-A174	—	HSJFS-P17-2	MDM-15SS-A174	—	#26 (TPSJ)	AE	SLW_BIAS_A1 +ve
HSJFS-J9-4	MDM-37SS-A174	—	HSJFS-P17-4	MDM-15SS-A174	—	#26 (TPSJ)	AE	SLW_BIAS_A1 -ve
HSJFS-J9-17	MDM-37SS-A174	—	HSJFS-P17-3	MDM-15SS-A174	—	#26 (TPSJ)	AF	SLW_JFET_HEATER_A +ve
HSJFS-J9-36	MDM-37SS-A174	—	HSJFS-P17-11	MDM-15SS-A174	—	#26 (TPSJ)	AF	SLW_JFET_HEATER_A -ve
HSJFS-J9-6	MDM-37SS-A174	—	HSJFS-P17-9	MDM-15SS-A174	—	#26 (SCSJ)		SLW GROUND A
HSJFS-J9-11	MDM-37SS-A174	—	HSJFS-P16-10	MDM-15SS-A174	—	#26 (TPSJ)	AG	SSW_JFETV1_A +ve
HSJFS-J9-30	MDM-37SS-A174	—	HSJFS-P16-1	MDM-15SS-A174	—	#26 (TPSJ)	AG	SSW_JFETV1_A -ve
HSJFS-J9-28	MDM-37SS-A174	—	HSJFS-P16-2	MDM-15SS-A174	—	#26 (TPSJ)	AH	SSW_BIAS1_A +ve
HSJFS-J9-10	MDM-37SS-A174	—	HSJFS-P16-4	MDM-15SS-A174	—	#26 (TPSJ)	AH	SSW_BIAS1_A -ve
HSJFS-J9-37	MDM-37SS-A174	—	HSJFS-P16-3	MDM-15SS-A174	—	#26 (TPSJ)	AJ	SSW_JFET_HEATER_A +ve
HSJFS-J9-19	MDM-37SS-A174	—	HSJFS-P16-11	MDM-15SS-A174	—	#26 (TPSJ)	AJ	SSW_JFET_HEATER_A -ve
HSJFS-J9-29	MDM-37SS-A174	—	HSJFS-P16-9	MDM-15SS-A174	—	#26 (TPSJ)		SSW_JFETV1_A SHLD
HSJFS-J9-33	MDM-37SS-A174	—	HSJFS-P15-10	MDM-15SS-A174	—	#26 (TPSJ)	AK	SSW_JFETV2_A +ve
HSJFS-J9-15	MDM-37SS-A174	—	HSJFS-P15-1	MDM-15SS-A174	—	#26 (TPSJ)	AK	SSW_JFETV2_A -ve
HSJFS-J9-13	MDM-37SS-A174	—	HSJFS-P15-2	MDM-15SS-A174	—	#26 (TPSJ)	AL	SSW_BIAS2_A +ve
HSJFS-J9-32	MDM-37SS-A174	—	HSJFS-P15-4	MDM-15SS-A174	—	#26 (TPSJ)	AL	SSW_BIAS2_A -ve
HSJFS-J9-37	MDM-37SS-A174	—	HSJFS-P15-3	MDM-15SS-A174	—	#26 (TPSJ)	AM	SSW_JFET_HEATER_A +ve
HSJFS-J9-19	MDM-37SS-A174	—	HSJFS-P15-11	MDM-15SS-A174	—	#26 (TPSJ)	AM	SSW_JFET_HEATER_A -ve
HSJFS-J9-12	MDM-37SS-A174	—	HSJFS-P15-9	MDM-15SS-A174	—	#26 (SCSJ)		SSW GROUND A
HSJFS-J9-27	MDM-37SS-A174	—	HSJFS-J9-7	MDM-37SS-A174	—	#26 (SC)		
HSJFS-J9-8	MDM-37SS-A174	—	HSJFS-J9-25	MDM-37SS-A174	—	#26 (SC)		
HSJFS-J9-24	MDM-37SS-A174	—	HSJFS-J9-4	MDM-37SS-A174	—	#26 (SC)		
HSJFS-J9-5	MDM-37SS-A174	—	HSJFS-J9-22	MDM-37SS-A174	—	#26 (SC)		
HSJFS-J9-6	MDM-37SS-A174	—	HSJFS-J9-26	MDM-37SS-A174	—	#26 (SC)		
HSJFS-J9-26	MDM-37SS-A174	—	HSJFS-J9-23	MDM-37SS-A174	—	#26 (SC)		
HSJFS-J9-29	MDM-37SS-A174	—	HSJFS-J9-14	MDM-37SS-A174	—	#26 (SC)		
HSJFS-J9-14	MDM-37SS-A174	—	HSJFS-J9-31	MDM-37SS-A174	—	#26 (SC)		
HSJFS-J9-31	MDM-37SS-A174	—	HSJFS-J9-9	MDM-37SS-A174	—	#26 (SC)		
HSJFS-J9-9	MDM-37SS-A174	—	HSJFS-J9-12	MDM-37SS-A174	—	#26 (SC)		
HSJFS-J9-18	MDM-37SS-A174	—				#26 (SC)		SLW HEATER SHIELD
HSJFS-J9-34	MDM-37SS-A174	—						

Released on MAY-05-2003 by Richard G Bannister. Signature information available in PDMS.



FROM	CONNECTOR PART NO.	CONTACT PART NO.	TO	CONNECTOR PART NO.	CONTACT PART NO.	WIRE AWG & TYPE	TWIST GROUPS	SIGNAL
HSJFS-J10-21	MDM-37SS-A174	—	HSJFS-P18-14	MDM-15SS-A174	—	#26 (TPSJ)	BA	300-mK JFETV BIAS_B +ve
HSJFS-J10-3	MDM-37SS-A174	—	HSJFS-P18-8	MDM-15SS-A174	—	#26 (TPSJ)	BA	300-mK JFETV BIAS_B -ve
HSJFS-J10-1	MDM-37SS-A174	—	HSJFS-P18-7	MDM-15SS-A174	—	#26 (TPSJ)	BB	300-mK TC BIAS_B +ve
HSJFS-J10-20	MDM-37SS-A174	—	HSJFS-P18-5	MDM-15SS-A174	—	#26 (TPSJ)	BB	300-mK TC BIAS_B -ve
HSJFS-J10-16	MDM-37SS-A174	—	HSJFS-P18-6	MDM-15SS-A174	—	#26 (TPSJ)	BC	300-mK TC_JFET_HTR_B +ve
HSJFS-J10-35	MDM-37SS-A174	—	HSJFS-P18-13	MDM-15SS-A174	—	#26 (TPSJ)	BC	300-mK TC_JFET_HTR_B -ve
HSJFS-J10-2	MDM-37SS-A174	—	HSJFS-P18-15	MDM-15SS-A174	—	#26 (SC)		300-mK GROUND B
HSJFS-J10-25	MDM-37SS-A174	—	HSJFS-P17-14	MDM-15SS-A174	—	#26 (TPSJ)	BD	SLW_JFETV_B1 +ve
HSJFS-J10-7	MDM-37SS-A174	—	HSJFS-P17-8	MDM-15SS-A174	—	#26 (TPSJ)	BD	SLW_JFETV_B1 -ve
HSJFS-J10-22	MDM-37SS-A174	—	HSJFS-P17-7	MDM-15SS-A174	—	#26 (TPSJ)	BE	SLW_BIAS_B1 +ve
HSJFS-J10-4	MDM-37SS-A174	—	HSJFS-P17-5	MDM-15SS-A174	—	#26 (TPSJ)	BE	SLW_BIAS_B1 -ve
HSJFS-J10-17	MDM-37SS-A174	—	HSJFS-P17-6	MDM-15SS-A174	—	#26 (TPSJ)	BF	SLW_JFET_HEATER_B +ve
HSJFS-J10-36	MDM-37SS-A174	—	HSJFS-P17-13	MDM-15SS-A174	—	#26 (TPSJ)	BF	SLW_JFET_HEATER_B -ve
HSJFS-J10-6	MDM-37SS-A174	—	HSJFS-P17-15	MDM-15SS-A174	—	#26 (SC)		SLW GROUND B
HSJFS-J10-30	MDM-37SS-A174	—	HSJFS-P16-14	MDM-15SS-A174	—	#26 (TPSJ)	BG	SSW_JFETV1_B +ve
HSJFS-J10-11	MDM-37SS-A174	—	HSJFS-P16-8	MDM-15SS-A174	—	#26 (TPSJ)	BG	SSW_JFETV1_B -ve
HSJFS-J10-28	MDM-37SS-A174	—	HSJFS-P16-7	MDM-15SS-A174	—	#26 (TPSJ)	BH	SSW_BIAS1_B +ve
HSJFS-J10-10	MDM-37SS-A174	—	HSJFS-P16-5	MDM-15SS-A174	—	#26 (TPSJ)	BH	SSW_BIAS1_B -ve
HSJFS-J10-37	MDM-37SS-A174	—	HSJFS-P16-6	MDM-15SS-A174	—	#26 (TPSJ)	BJ	SSW_JFET_HEATER_B +ve
HSJFS-J10-19	MDM-37SS-A174	—	HSJFS-P16-12	MDM-15SS-A174	—	#26 (TPSJ)	BJ	SSW_JFET_HEATER_B -ve
HSJFS-J10-29	MDM-37SS-A174	—	HSJFS-P16-15	MDM-15SS-A174	—	#26 (SC)		SSW_JFETV1_B SHLD
HSJFS-J10-33	MDM-37SS-A174	—	HSJFS-P15-13	MDM-15SS-A174	—	#26 (TPSJ)	BK	SSW_JFETV2_B +ve
HSJFS-J10-15	MDM-37SS-A174	—	HSJFS-P15-8	MDM-15SS-A174	—	#26 (TPSJ)	BK	SSW_JFETV2_B -ve
HSJFS-J10-13	MDM-37SS-A174	—	HSJFS-P15-7	MDM-15SS-A174	—	#26 (TPSJ)	BL	SSW_BIAS2_B +ve
HSJFS-J10-32	MDM-37SS-A174	—	HSJFS-P15-5	MDM-15SS-A174	—	#26 (TPSJ)	BL	SSW_BIAS2_B -ve
HSJFS-J10-37	MDM-37SS-A174	—	HSJFS-P15-6	MDM-15SS-A174	—	#26 (TPSJ)	BM	SSW_JFET_HEATER_B +ve
HSJFS-J10-19	MDM-37SS-A174	—	HSJFS-P15-13	MDM-15SS-A174	—	#26 (TPSJ)	BM	SSW_JFET_HEATER_B -ve
HSJFS-J10-12	MDM-37SS-A174	—	HSJFS-P15-15	MDM-15SS-A174	—	#26 (SC)		SSW GROUND B
HSJFS-J10-27	MDM-37SS-A174	—	HSJFS-J10-7	MDM-37SS-A174	—	#26 (SC)		
HSJFS-J10-8	MDM-37SS-A174	—	HSJFS-J10-25	MDM-37SS-A174	—	#26 (SC)		
HSJFS-J10-24	MDM-37SS-A174	—	HSJFS-J10-4	MDM-37SS-A174	—	#26 (SC)		
HSJFS-J10-5	MDM-37SS-A174	—	HSJFS-J10-22	MDM-37SS-A174	—	#26 (SC)		
HSJFS-J10-6	MDM-37SS-A174	—	HSJFS-J10-26	MDM-37SS-A174	—	#26 (SC)		
HSJFS-J10-26	MDM-37SS-A174	—	HSJFS-J10-23	MDM-37SS-A174	—	#26 (SC)		
HSJFS-J10-29	MDM-37SS-A174	—	HSJFS-J10-14	MDM-37SS-A174	—	#26 (SC)		
HSJFS-J10-14	MDM-37SS-A174	—	HSJFS-J10-31	MDM-37SS-A174	—	#26 (SC)		
HSJFS-J10-31	MDM-37SS-A174	—	HSJFS-J10-9	MDM-37SS-A174	—	#26 (SC)		
HSJFS-J10-9	MDM-37SS-A174	—	HSJFS-J10-12	MDM-37SS-A174	—	#26 (SC)		
HSJFS-J10-18	MDM-37SS-A174					#26 (SC)		SLW HEATER SHIELD
HSJFS-J10-34	MDM-37SS-A174							