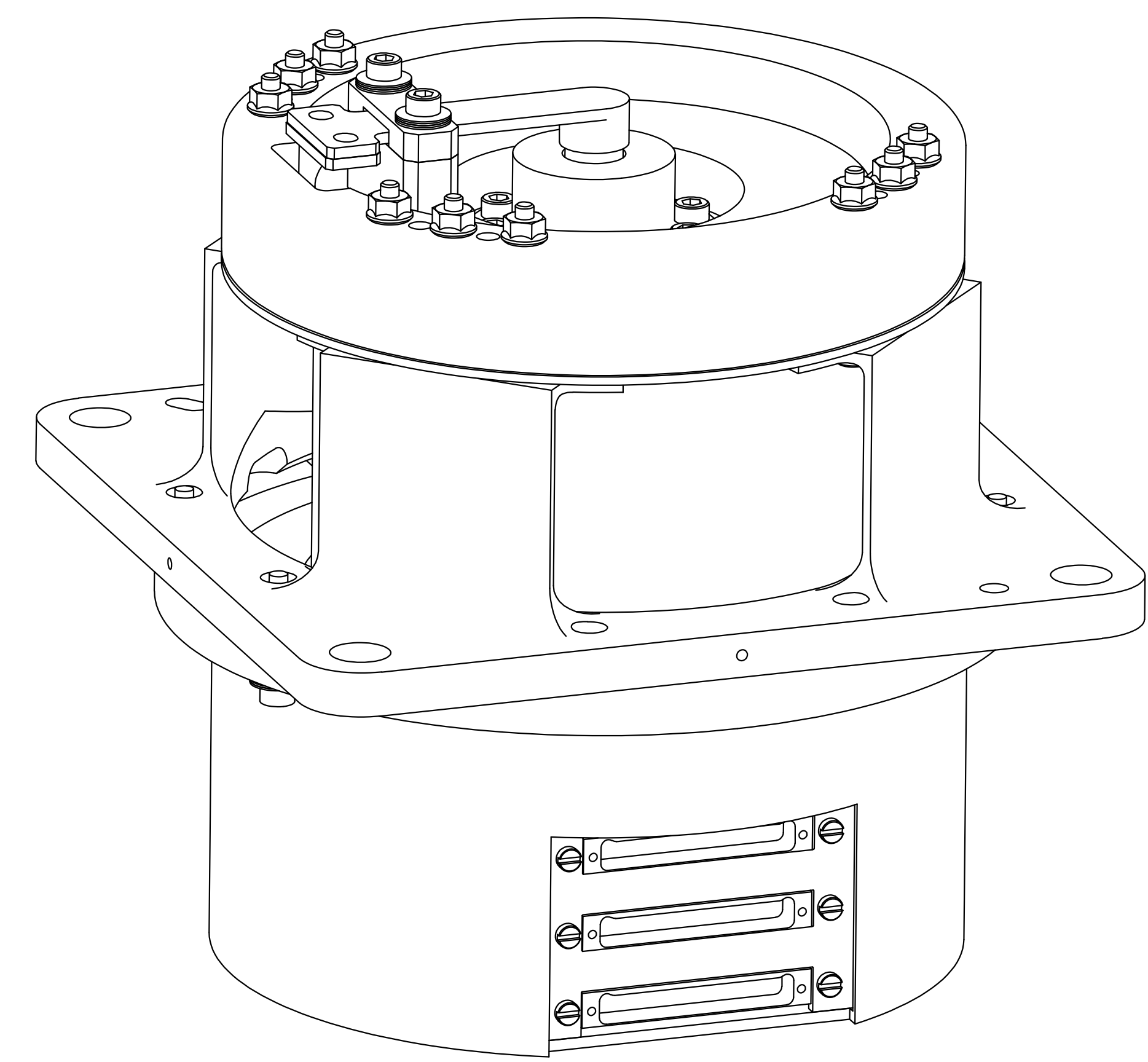


12 11 10 9 8 7 6 5 4 3 2 1

		REVISIONS													
LTR	ZONE	DESCRIPTION					DWN	CHK	STRUCT	MATL	THRM CONT	ENGR	DSGN SUPV	DATA MGT	RELEASE DATE
A		INITIAL RELEASE													
		SEE TITLE BLOCK													



GENERAL VIEW  
REFERENCE ONLY  
SCALE: NONE

7. WIRING IS IDENTICAL TO DRAWING 10209721 EXCEPT BOLOMETER IS REPLACED WITH A 5mΩ RESISTOR.

- △6 SEE TABLE II FOR CONNECTOR PIN INFORMATION.
- △5 INDICATES CONNECTOR POSITION. CONNECTORS INSTALLED ARE NANONIC STM 051 M6SN.
- △4 SEE TABLE I FOR SPECIFIED DIMENSION VALUES.

3 ASSEMBLY REFERENCE DESIGNATOR, TITLE, PART NUMBER, REVISION LETTER, AND SERIAL NUMBER TO APPEAR AS SHOWN IN THIS AREA.

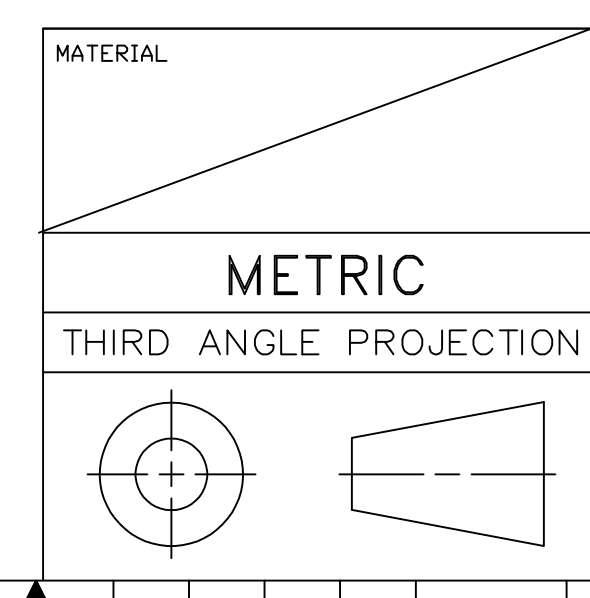
2. THIS IS THE INTERFACE CONTROL DRAWING FOR THE BOLOMETER DETECTOR ARRAY STRUCTURAL THERMAL MODEL, JPL PART NUMBER 10217670. JPL DRAWING NUMBER 10217670 SHALL CONTAIN THE FOLLOWING NOTE: THIS ASSEMBLY MEETS THE INTERFACE REQUIREMENTS OF JPL INTERFACE CONTROL DRAWING 10209727.

1. THIS TECHNICAL DATA IS EXPORT CONTROLLED UNDER U.S. LAW AND IS BEING TRANSFERRED BY JPL TO PPARC PURSUANT TO THE NASA / PPARC LETTER OF AGREEMENT WHICH ENTERED INTO FORCE ON DECEMBER 2, 1999. THIS TECHNICAL DATA IS TRANSFERRED TO PPARC FOR USE EXCLUSIVELY ON THE NASA/PPARC SPIRE ON FIRST COOPERATIVE PROJECT, MAY NOT BE USED FOR ANY OTHER PURPOSE, AND SHALL NOT BE RE-TRANSFERRED OR DISCLOSED TO ANY OTHER PARTY WITHOUT THE PRIOR WRITTEN APPROVAL OF NASA.

NOTES: UNLESS OTHERWISE SPECIFIED

INTERFACE DRAWING

QTY REQD	ITEM NO	REF DES	CAGE NO	PART OR IDENTIFYING NO	NOMENCLATURE OR DESCRIPTION	SPECIFICATION	MATERIAL OR NOTE	ZONE
					<b>PARTS LIST</b>			
					UNLESS OTHERWISE SPECIFIED DIMENSIONS ARE IN MILLIMETERS	CONTRACT NO. 960939		
					LINEAR TOLERANCES:	JET PROPULSION LABORATORY		
					0-6 ± 0.1	CALIFORNIA INSTITUTE OF TECHNOLOGY		
					OVER 6-30 ± 0.2	PASADENA, CA 91109		
					OVER 30-120 ± 0.3	RELEASED THROUGH EDMG		
					OVER 120-315 ± 0.5	STRUCTURAL THERMAL MODEL,		
					OVER 315-1000 ± 0.8	BOLOMETER DETECTOR ARRAY,		
					OVER 1000 ± 1.2	INTERFACE DRAWING		
					ANGULAR TOLERANCES:	SIZE		
					± 0.5°	A1		
					MACHINE FINISH	CAGE NO		
					3.2 ✓	23835		
					DO NOT SCALE DRAWING	10209727		
					INTERPRET DWG PER ANSI Y14.100M	REV		
						A		
						SCALE 2:1		
						UNCLASSIFIED		
						SHEET 1 OF 3		
						REV 2/00		

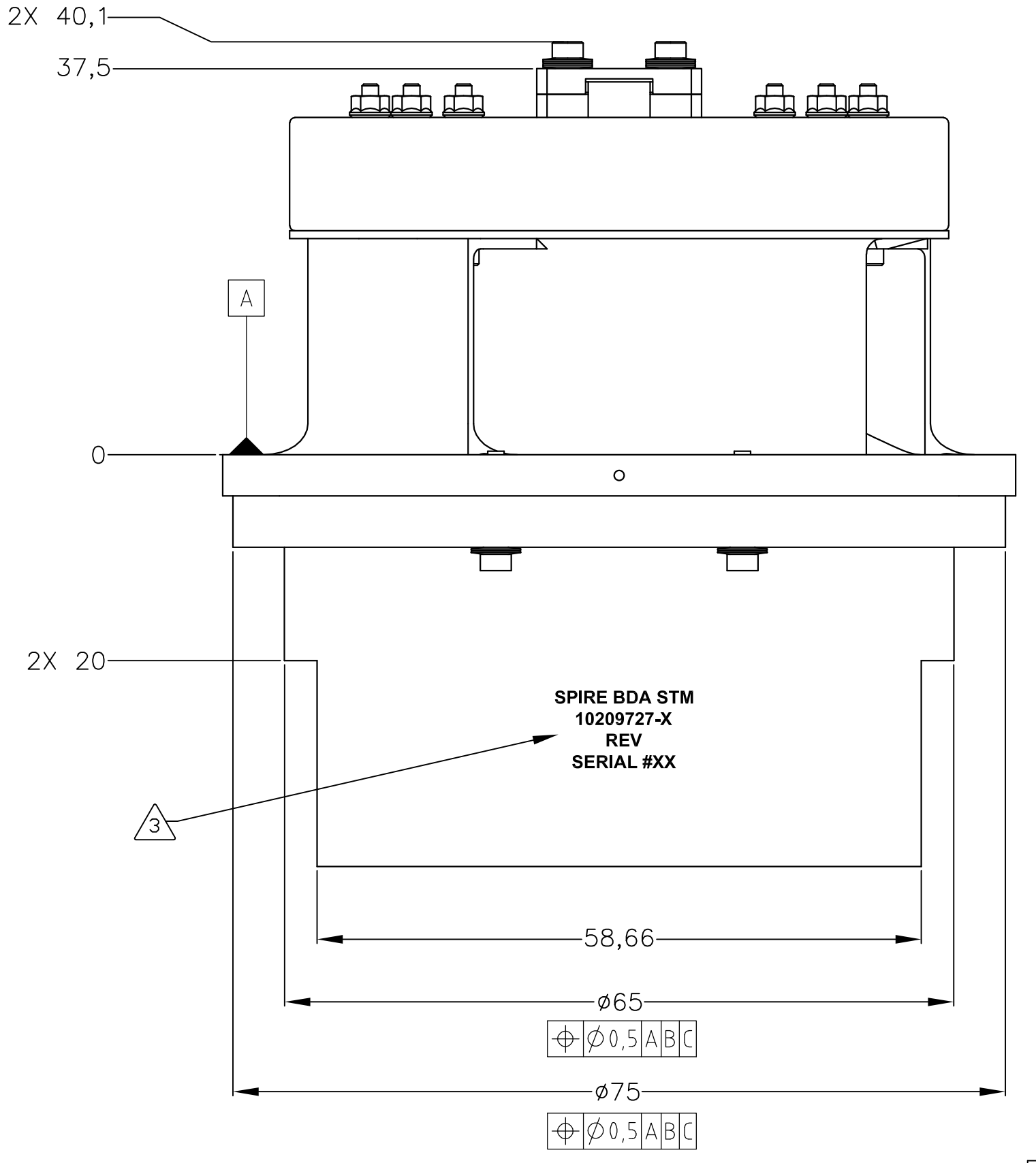
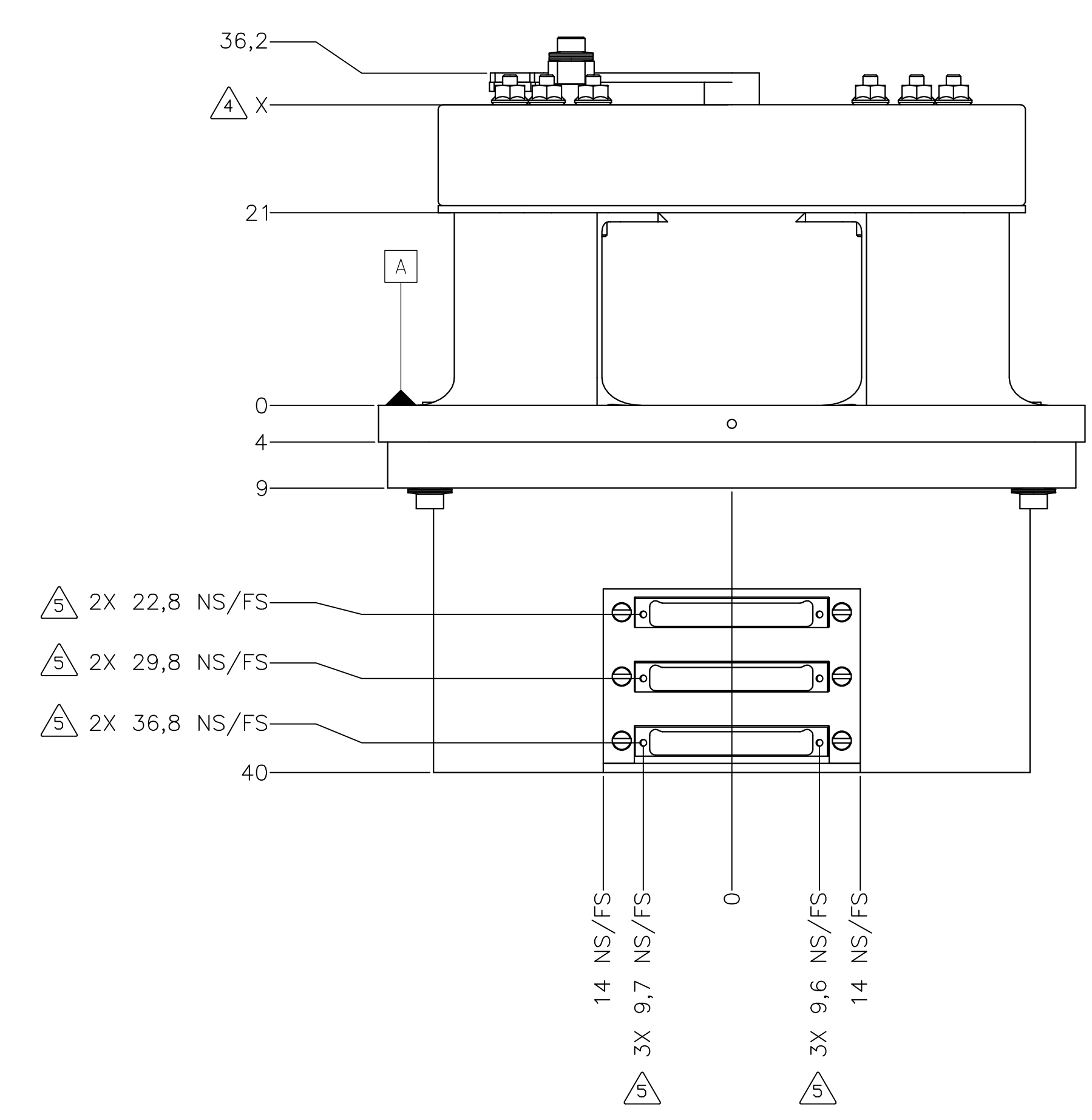
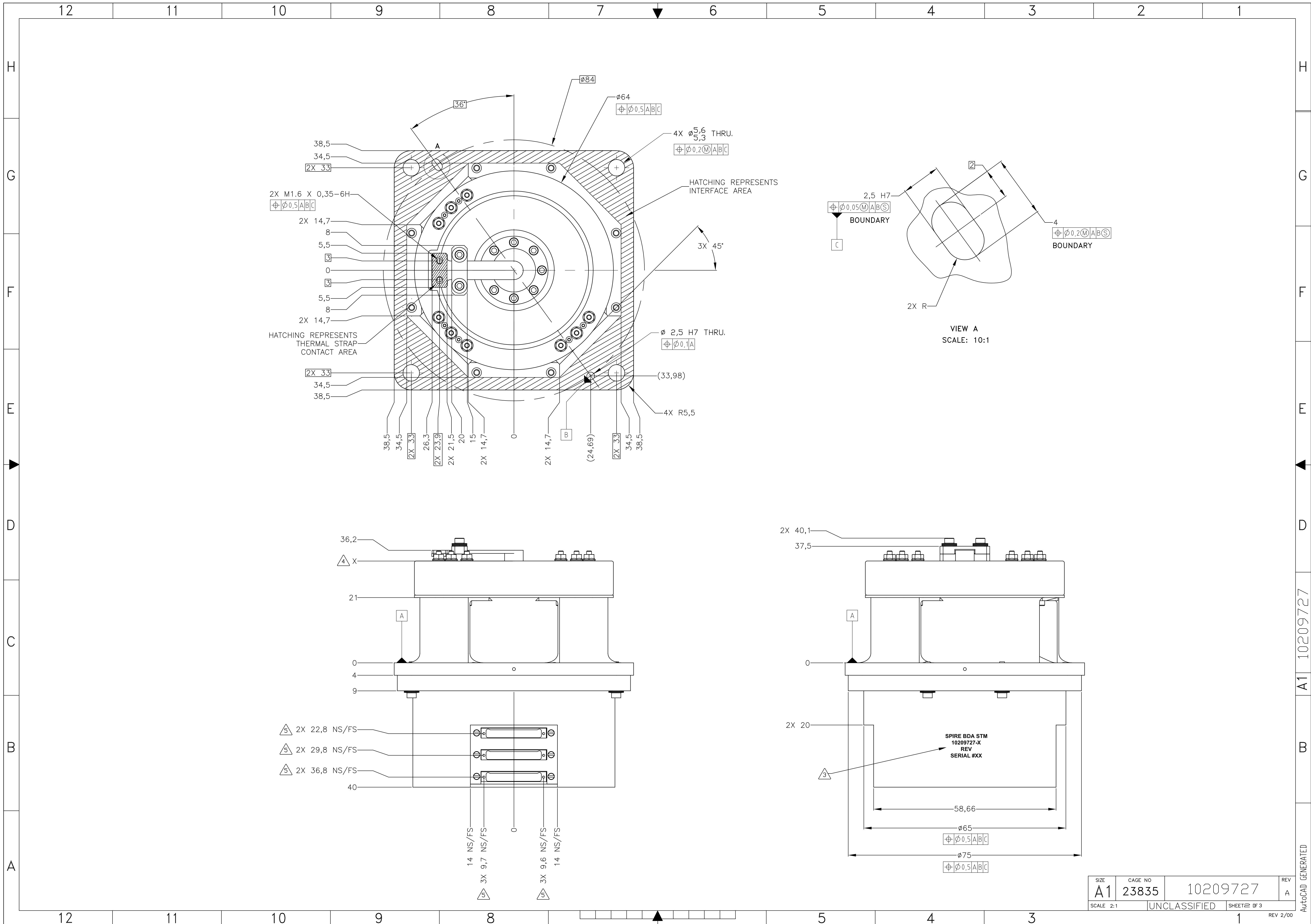


12 11 10 9 8 7 6 5 4 3 2 1

A1 10209727

B

AutoCAD GENERATED



SIZE <b>A1</b>	CAGE NO 23835	REV A
SCALE 2:1		UNCLASSIFIED
SHEET 2 OF 3		REV 2/00

A1 10209727  
AutoCAD GENERATED

12 11 10 9 8 7 6 5 4 3 2 1

H  
G  
F  
E  
D  
C  
B  
A

H  
G  
F  
E  
D  
C  
B  
A

△  
TABLE I

DASH NUMBER	TYPE	X	CONNECTORS
10217670-2	P/MW	32.75	J1, J2, J3, J4
10217670-3	P/SW	26.75	J1, J2, J3, J4, J5, J6
10217670-4	S/LW	21.75	J5
10217670-5	S/SW	21.75	J5, J6

△  
TABLE II

ALL CONNECTORS					
PIN #	PIN PURPOSE	PIN #	PIN PURPOSE	PIN #	PIN PURPOSE
1	SIGNAL 1A	18	SIGNAL 18A	35	SIGNAL 10B
2	SIGNAL 2A	19	SIGNAL 19A	36	SIGNAL 11B
3	SIGNAL 3A	20	SIGNAL 20A	37	SIGNAL 12B
4	SIGNAL 4A	21	SIGNAL 21A	38	SIGNAL 13B
5	SIGNAL 5A	22	SIGNAL 22A	39	SIGNAL 14B
6	SIGNAL 6A	23	SIGNAL 23A	40	SIGNAL 15B
7	SIGNAL 7A	24	SIGNAL 24A	41	SIGNAL 16B
8	SIGNAL 8A	25	SIGNAL BIAS V+	42	SIGNAL 17B
9	SIGNAL 9A	26	SIGNAL 1B	43	SIGNAL 18B
10	SIGNAL 10A	27	SIGNAL 2B	44	SIGNAL 19B
11	SIGNAL 11A	28	SIGNAL 3B	45	SIGNAL 20B
12	SIGNAL 12A	29	SIGNAL 4B	46	SIGNAL 21B
13	SIGNAL 13A	30	SIGNAL 5B	47	SIGNAL 22B
14	SIGNAL 14A	31	SIGNAL 6B	48	SIGNAL 23B
15	SIGNAL 15A	32	SIGNAL 7B	49	SIGNAL 24B
16	SIGNAL 16A	33	SIGNAL 8B	50	SIGNAL BIAS V-
17	SIGNAL 17A	34	SIGNAL 9B	51	SIGNAL BIAS GND

12 11 10 9 8 7 6 5 4 3 2 1