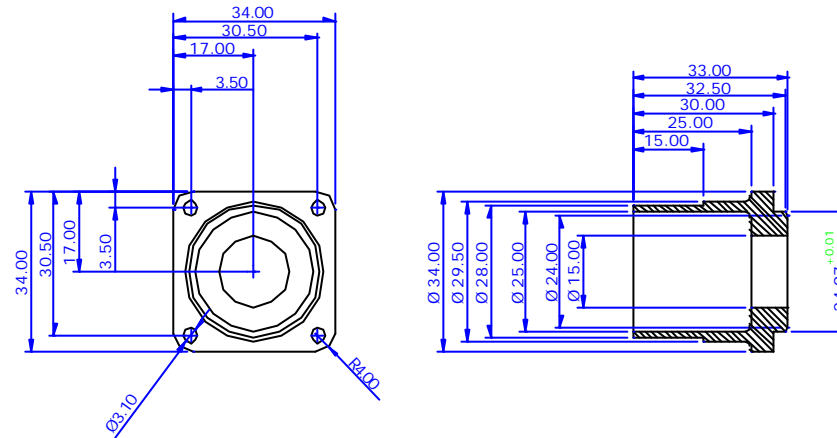
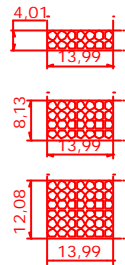


# SPIRE-REF-DWG-001555

© THIS DOCUMENT REMAINS THE PROPERTY OF TEKDATA LIMITED AND MUST NOT BE COPIED OR REPRODUCED WITHOUT PRIOR WRITTEN CONSENT.

ISSUE LEVEL	CHANGE NUMBER	DATE	BRIEF DETAILS
A		06.03.03	NEW DRAWING



Tekdata

interconnect systems

Westport House, Federation Road, Burslem  
Stoke-on-Trent, Staffordshire. ST6 4HY  
Tel.01782 577677 Fax.01782 823881  
<http://www.tekdata.co.uk>  
EMAIL:mansales@tekdata.co.uk  
EMAIL:engineering@tekdata.co.uk  
EMAIL:cables@tekdata.co.uk

<p style="font-size: 8pt; margin: 0;">THIRD ANGLE PROJECTION</p> <p style="font-size: 8pt; margin: 0;">DIMENSIONS IN MILLIMETRES</p>	<p style="font-weight: bold; font-size: 12pt; margin: 0;">TITLE</p> <p style="font-size: 14pt; margin: 0;">SPIRE FEED-THROUGH</p>		DRAWN BY	MARK. A. HALL.	TOLERANCE	+/- 0.025 UNLESS SPECIFIED
	DRG No	SHEET	SCALE	DATE	MATERIAL	FINISH
A3/100/3158	1 of 1	1 : 1	06.03.03	ALUMINIUM ALLOY 6082	ALOCHROME 1200	BS 308
APPROVED BY			DATE	SECURITY CLASSIFICATION		
ROY E. R. BLAKE			06.03.03			