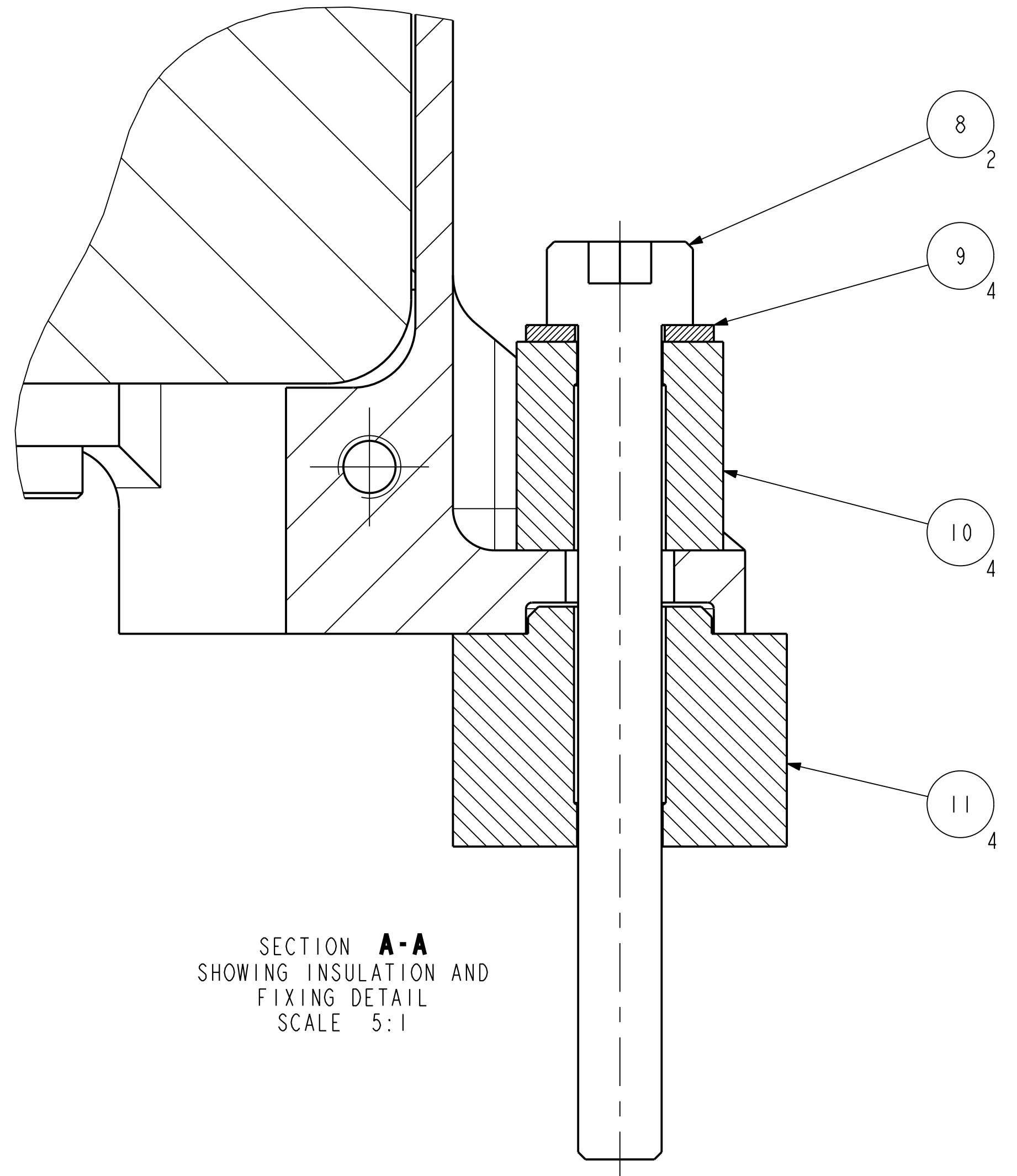
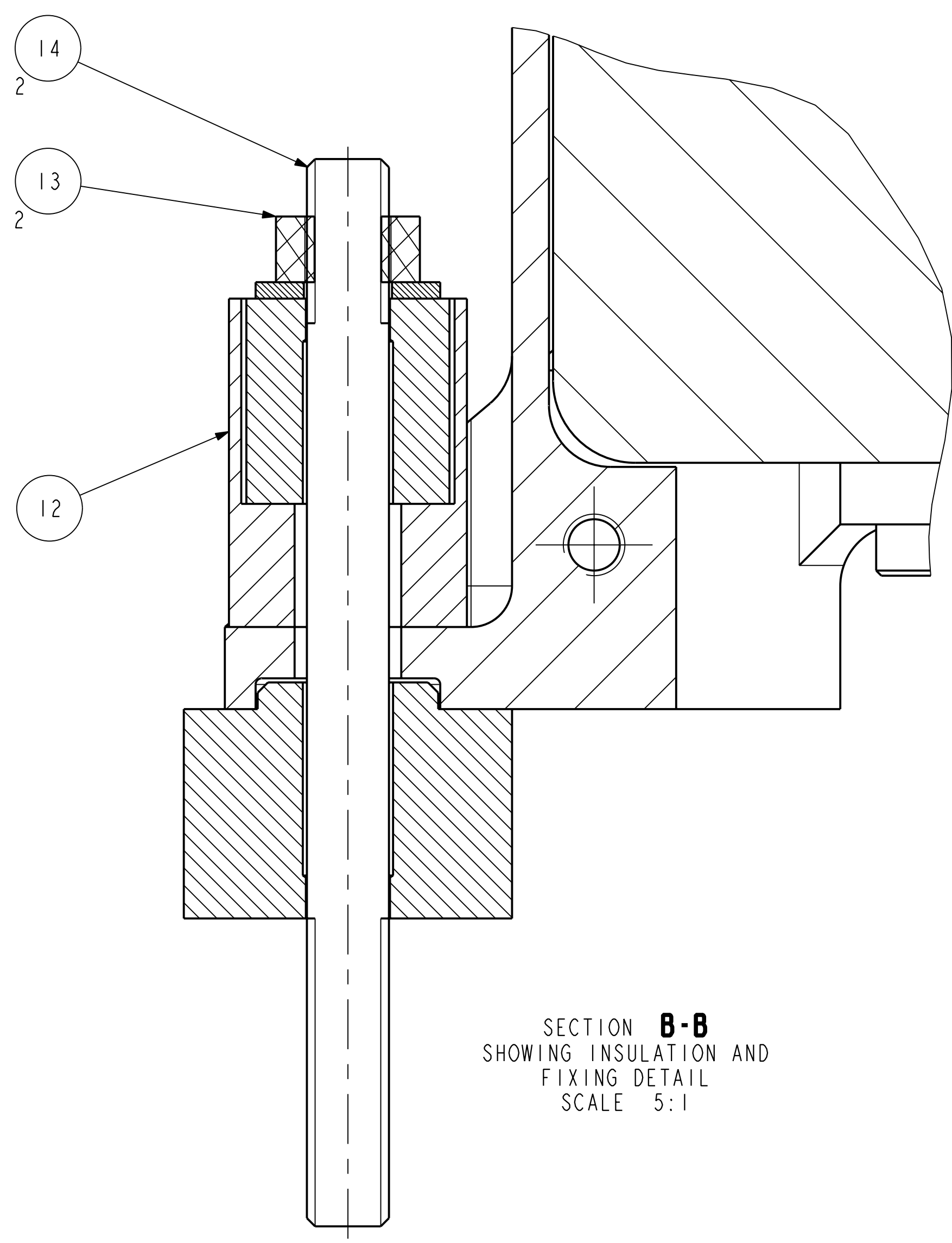
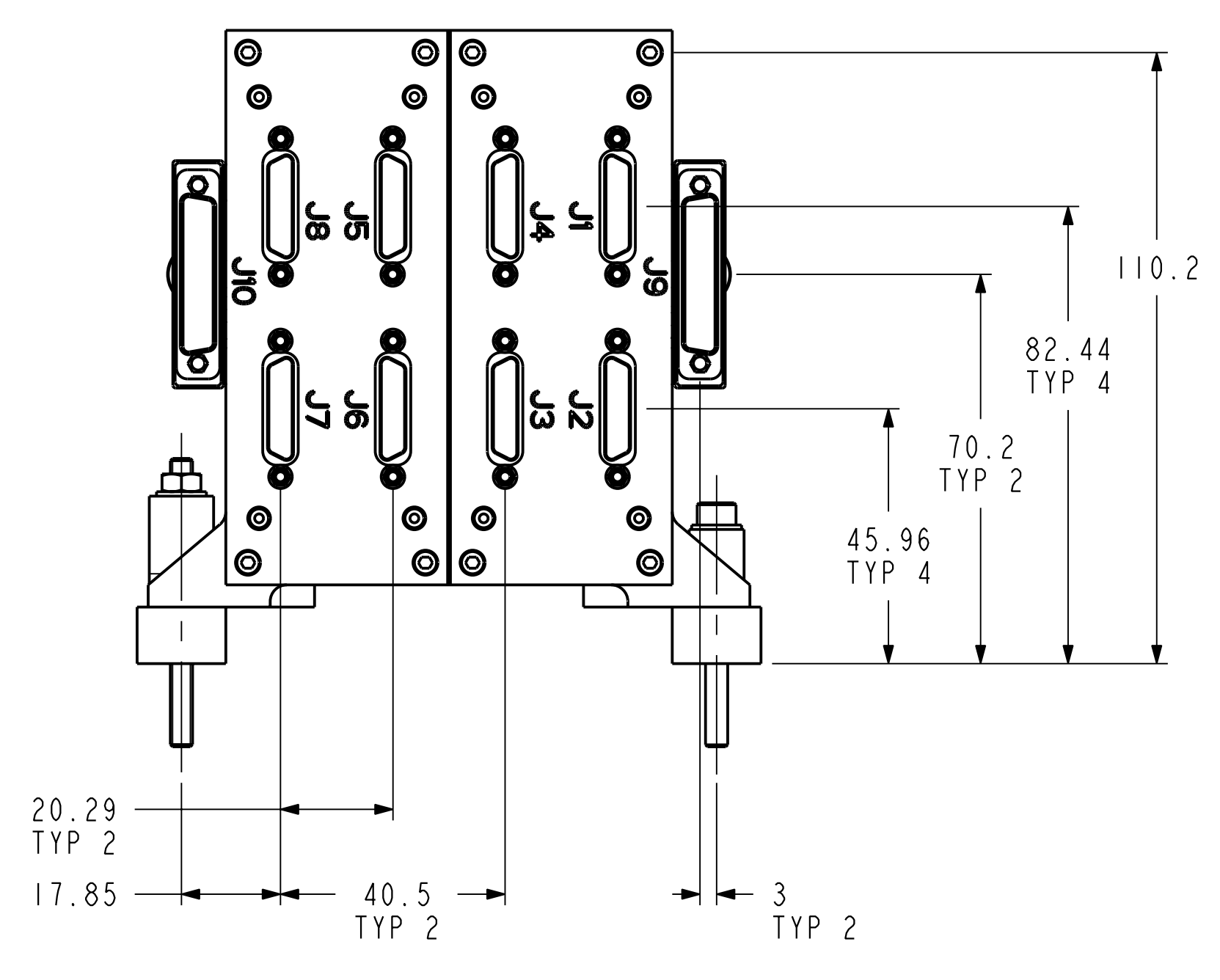
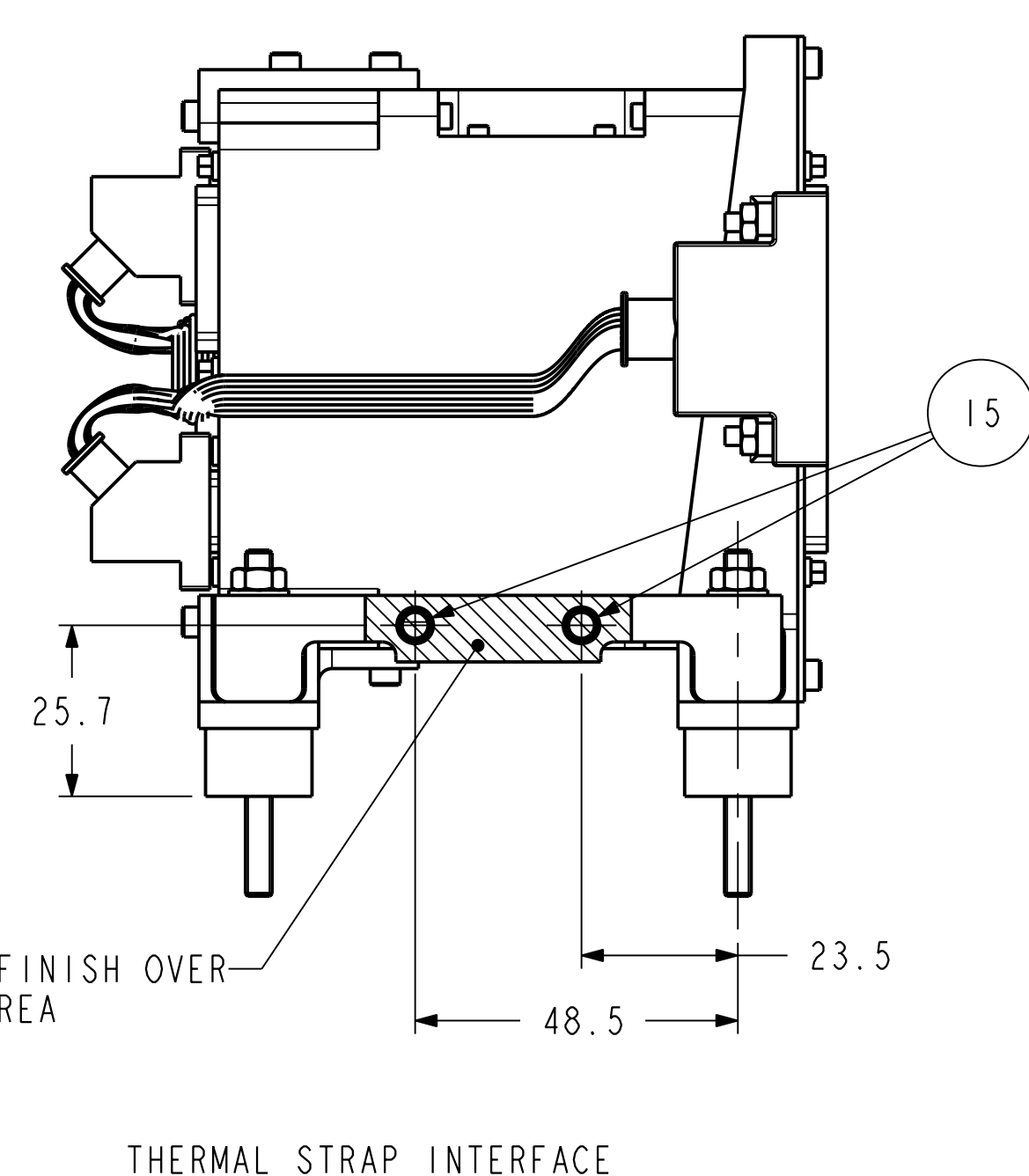
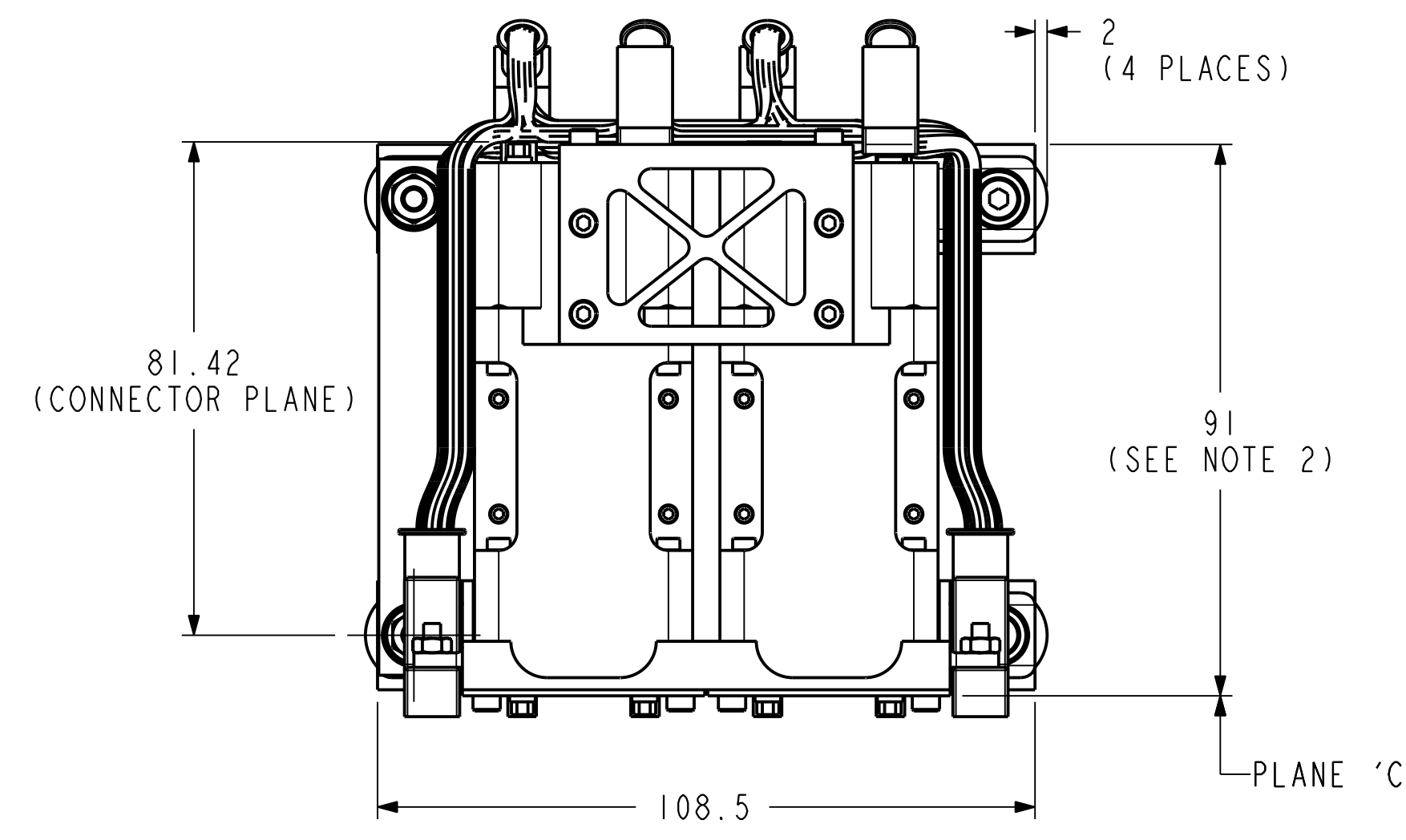


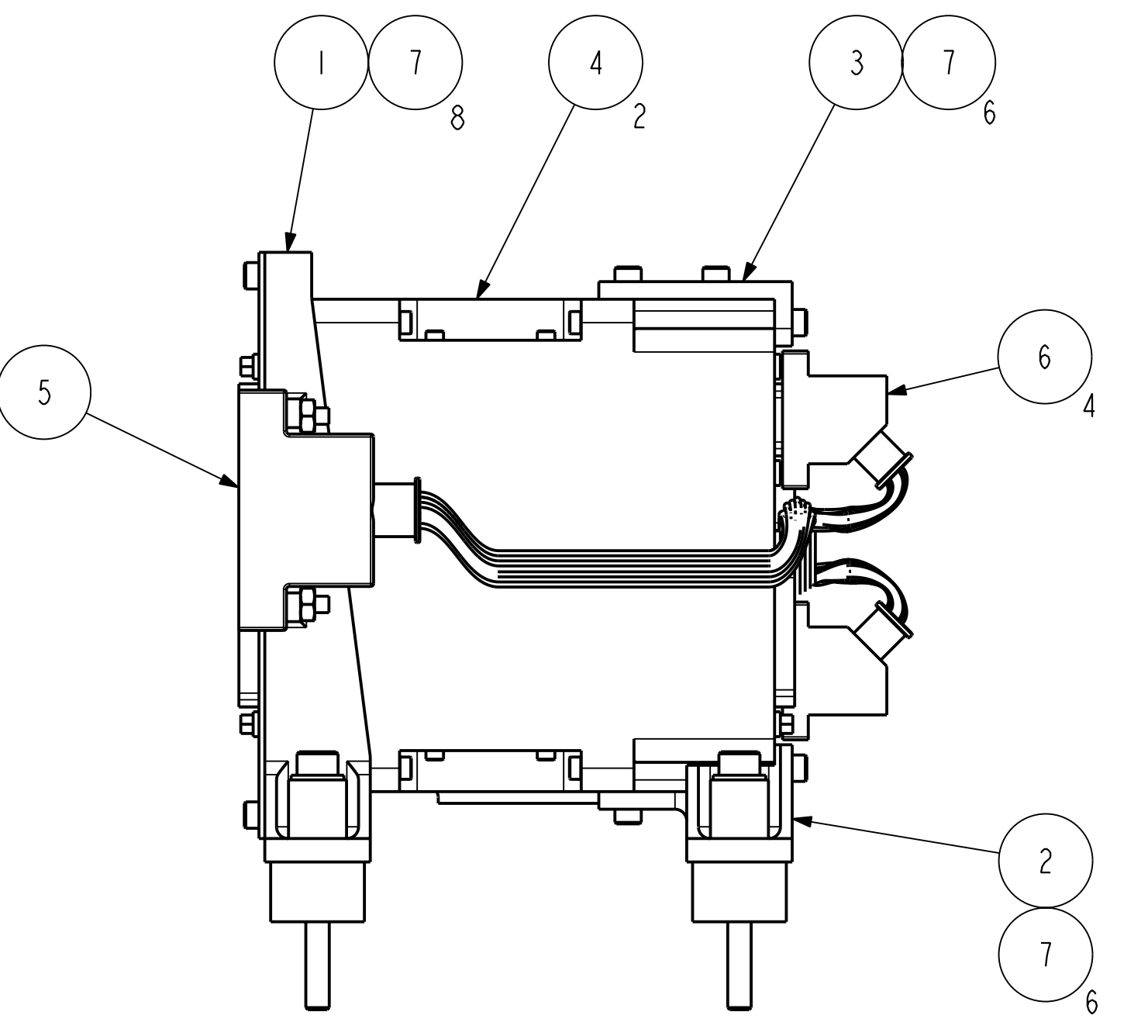
CONNECTOR TABLE		
LABEL	TYPE	FUNCTION
J1	ALL MDM2SP	ALL SIGNAL FEEDS TO CRYOHARNESS
J2		
J3		
J4		
J5		
J6		
J7		
J8		
J9	MDM37S	BIAS WIRES FROM CRYOHARNESS
J10		
J11	ALL MDM1SP	SIGNALS IN FROM DETECTORS
J12		
J13		
J14		
J15	ALL MDM1SP	BIAS FEEDS INTO MODULES
J16		
J17		
J18		



PART No.	DESCRIPTION	QTY	MASS (g) / ITEM	MASS (g) TOTAL	REMARKS
1	FRONT PLATE	1	36.0	36.00	
2	REAR FOOT BEAM	1	6.6	6.60	
3	UPPER TOP BEAM	1	23.0	23.00	
4	JFET MODULE	2	305	610.00	JPL SUPPLY
5	37 WAY MICRO-D	2	17.0	34.00	
6	15 WAY MICRO-D	4	8.3	33.20	CONNECTOR AND BACKSHELL
7	CP.HD SCREW	20	0.6	12.00	M2.5 x 8 LONG S/STEEL BS6105 A2-70
8	CP.HD SCREW	4	5.0	20.00	M4 x 40 LONG S/STEEL BS6105 A2-70
9	WASHER	4	0.3	1.20	M4 W/SHR STAINLESS STEEL
10	TOP INSULATOR	4	0.04	0.16	CFRP
11	BOTTOM INSULATOR	4	0.09	0.36	CFRP
12	THERMAL STRAP	1	23.0	23.00	
13	M4 STUD	2	5.1	10.20	
14	NUT	2	0.85	1.70	M4 NUT S/STEEL BS6105 A2-70
15	THREADED INSERTS	2	1.0	2.00	M4 THREADED INSERT PHOSPHOR. BRONZE
GRAND TOTAL				813.42	

NOTE

- ITEMS 10 & 11 TO BE PERMANENTLY BONDED TO MATING FACES.
- TO ATTAIN THE CORRECT MOUNTING INTERFACE DIMENSION, THE FOLLOWING PROCEDURE MUST BE FOLLOWED: PARTS 4 ARE TO BE MOUNTED TO PART 1. MEASURE FROM THE TOP OF PART 4 SHOWN AS PLANE 'C' TO THE TAIL END FACE OF PARTS 4, NOTING THE TWO VALUES. MACHINE RAISED PADS ON PART 2 TO REMOVE (VALUE - 87.7).
- ITEM 14 BONDED/LOCKED INTO HOB. ITEMS 13 & 8 TO BE TORQUED TO 1Nm AND LOCKED.
- UNIT SHOWN FITTED WITH BACK-HARNESS MATING TO J9-10 & J15-18 BECAUSE THIS WILL BE FITTED BEFORE ITEM IS INTEGRATED TO HOB. HOWEVER, THIS HARNESS AND ITS CONNECTORS ARE NOT PART OF THE 2 JFET RACK.



SPIRE MASTER DRAWING	
PROJECT MEMBER	APPROVED
PROJECT MANAGER	
SYSTEM ENG	
ELECTRONICS ENG	
PA GROUP	
STRESS ENG	
OPTICAL ENG	
THERMAL ENG	
MECHANICAL ENG	

D	24-06-02	KE-2952	K. BURKE			ISSUE
ISSUE	DATE	MOD. No.	DRN. BY	CHKD.	APPD.	STATUS
TOLERANCES UNLESS STATED			FINISH		ORIGINAL SCALE	
±0.2 mm ±0.3			CLEAN REMOVE ALL BURRS		1:1 DO NOT SCALE	
MATERIAL & SPEC.			SURFACE TEXTURE µm		0 50mm	
SEE DETAILS			✓UNLESS STATED			
USED ON						©CLRC 2001
CENTRAL LABORATORY OF THE RESEARCH COUNCILS						
TITLE						
2 JFET RACK						
INTERFACE DRAWING						
SPIRE						
A 0-KE-0104-360-D						1 of 1