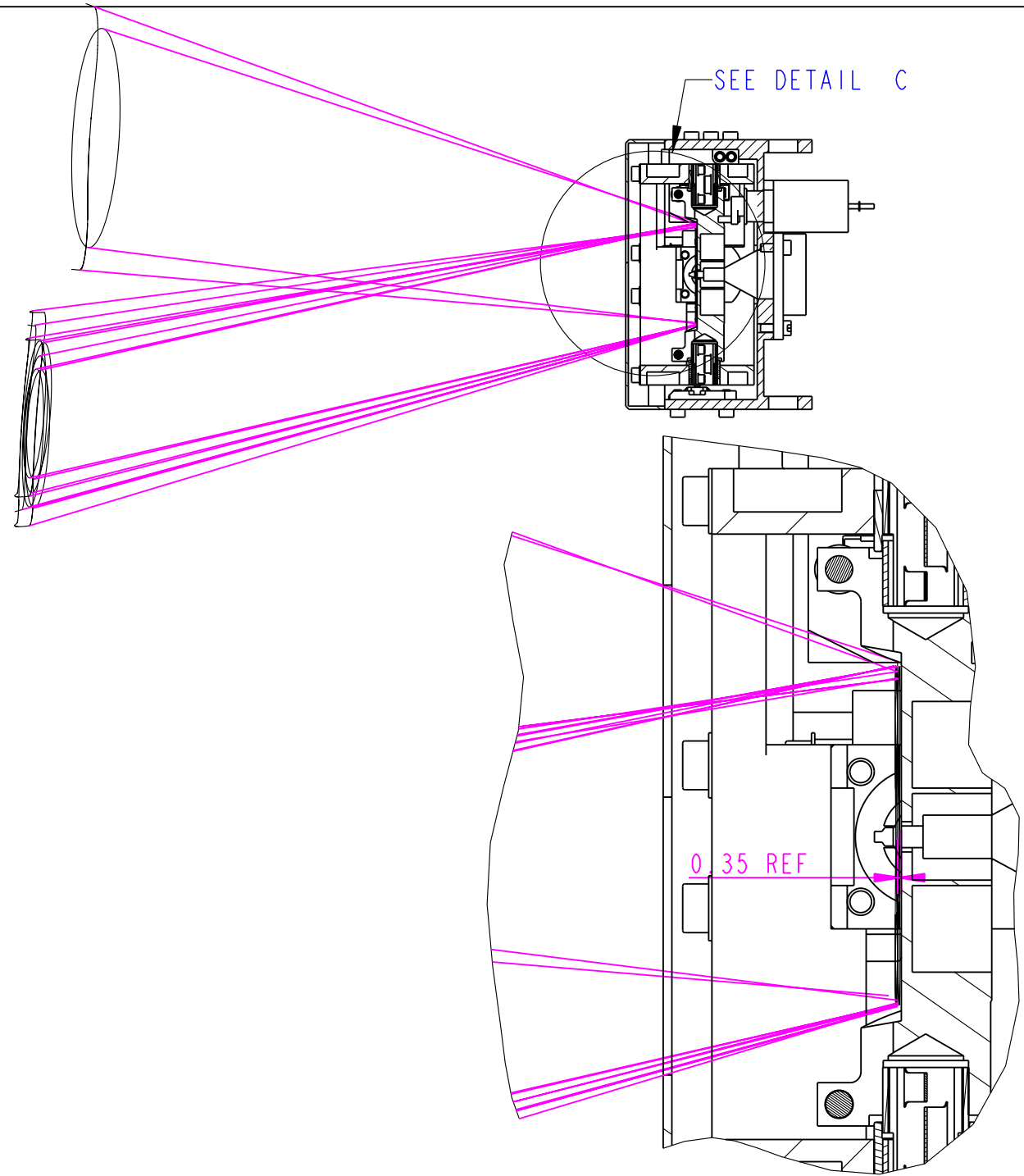
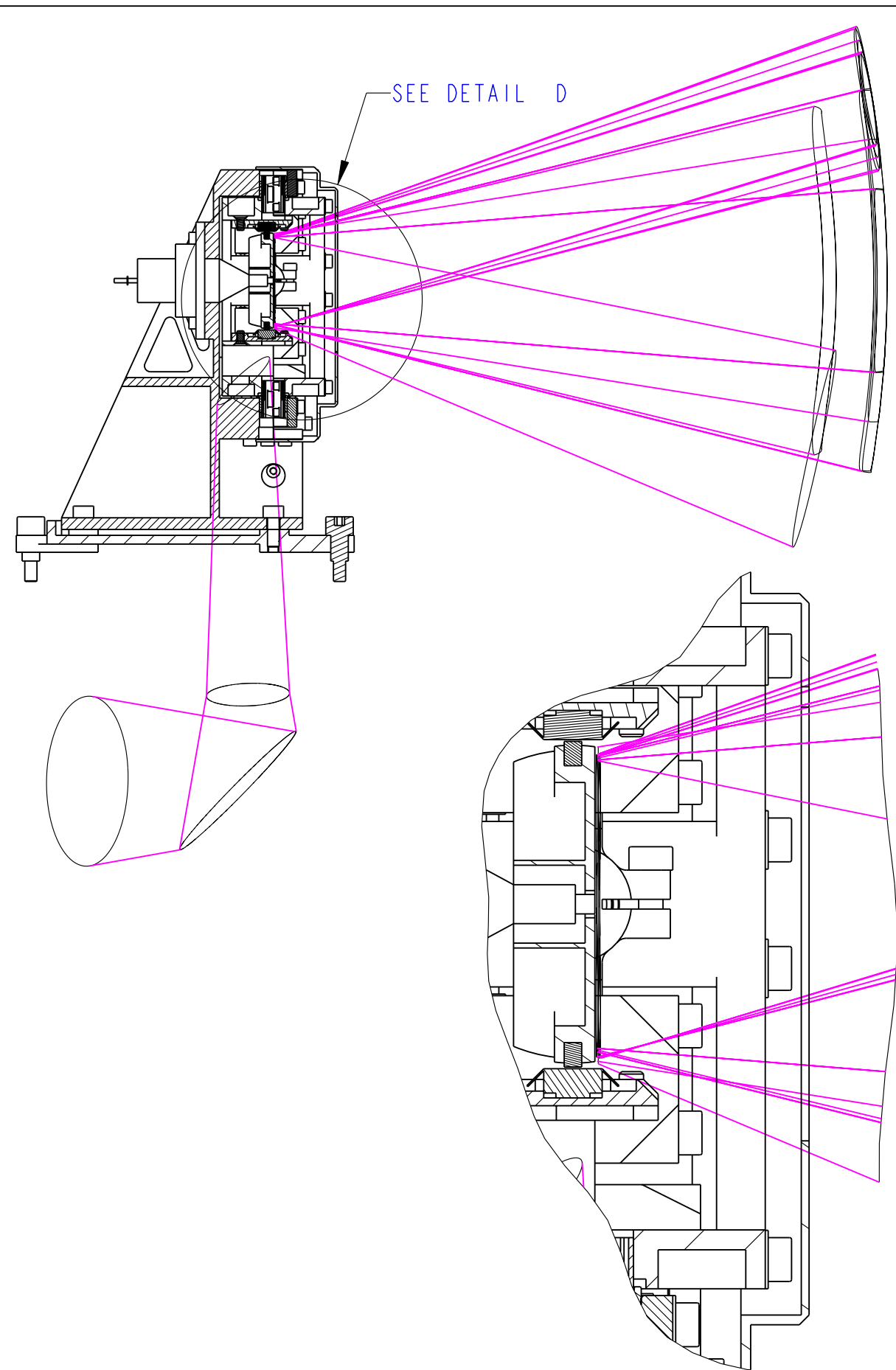
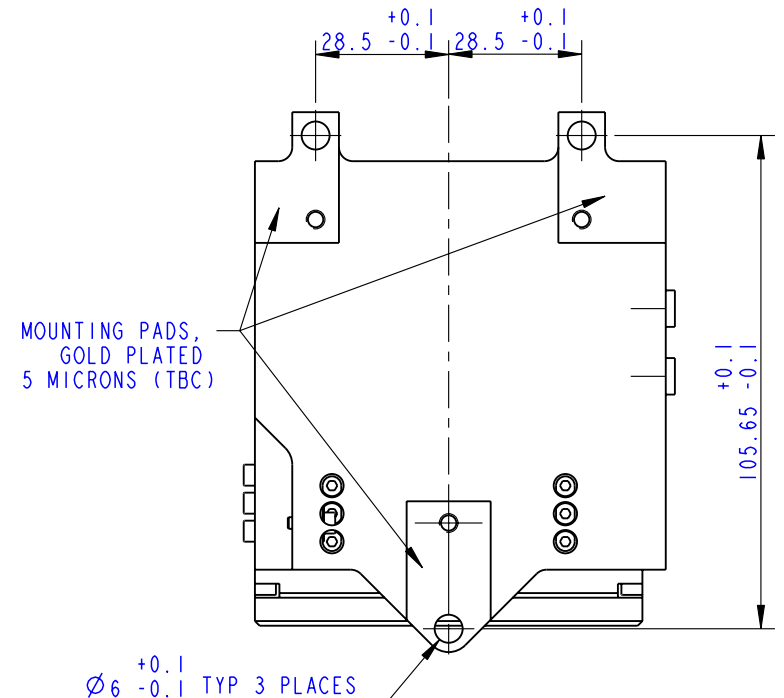
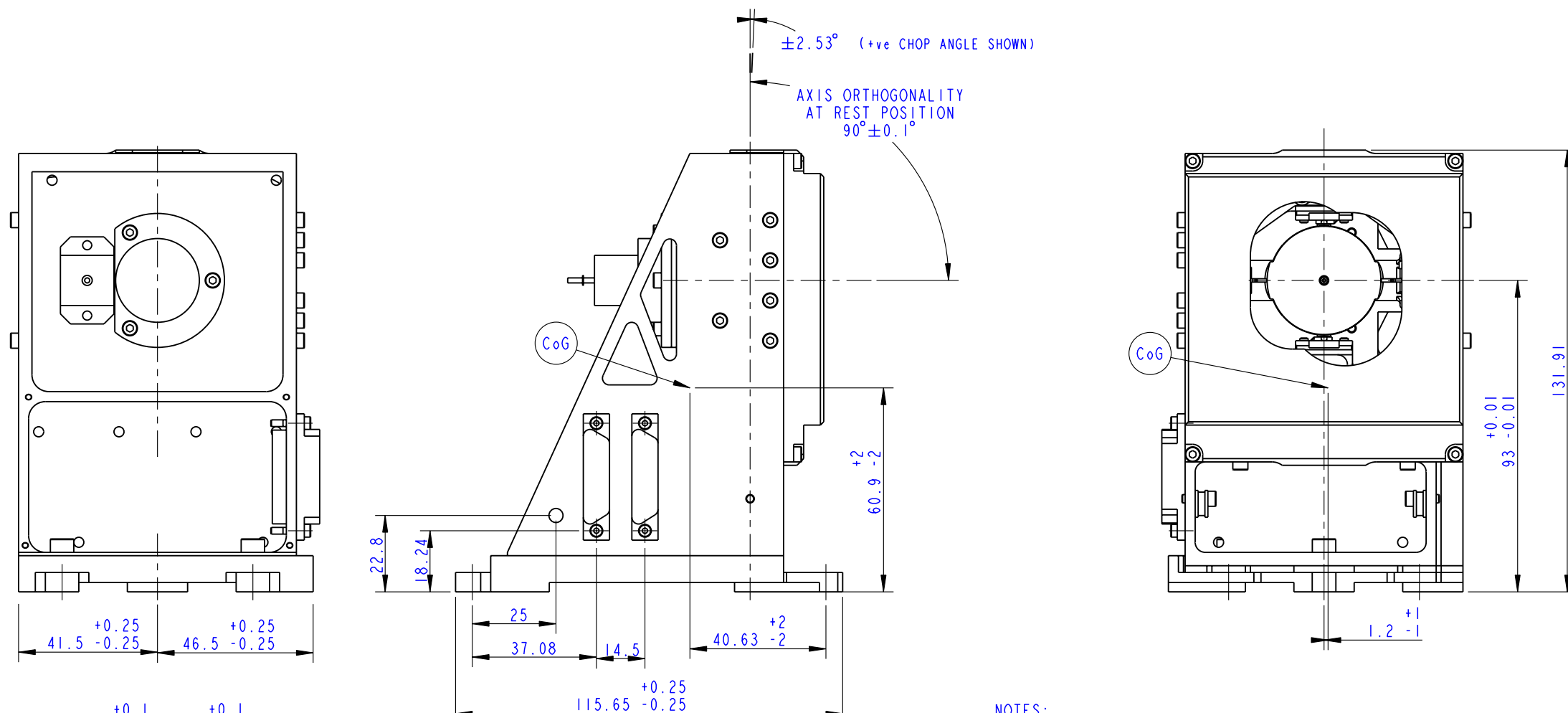


SCALE 0.600

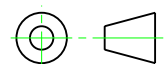
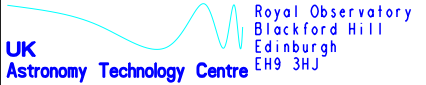
THIRD ANGLE PROJECTION DIMENSIONS IN MM						Royal Observatory Blackford Hill Edinburgh EH9 3HJ	
Material: -		CTD: -		Drawn: -		Date: -	
Finish: -				Mod'd: -		Date: -	
Unless otherwise stated		Last mod: -					
Tolerances: -		Title: SPIRE / BSM BEAM INTERFACES					
Linear : ± 0.1		Size A3				Dwg No: SPIRE-BSM-021-001	
Angular : $\pm 0.5^\circ$		Scale: -		MODEL: SPIRE-BSM-021-001		Rev	
Remove all sharp edges				Sheet 1		OF 2	

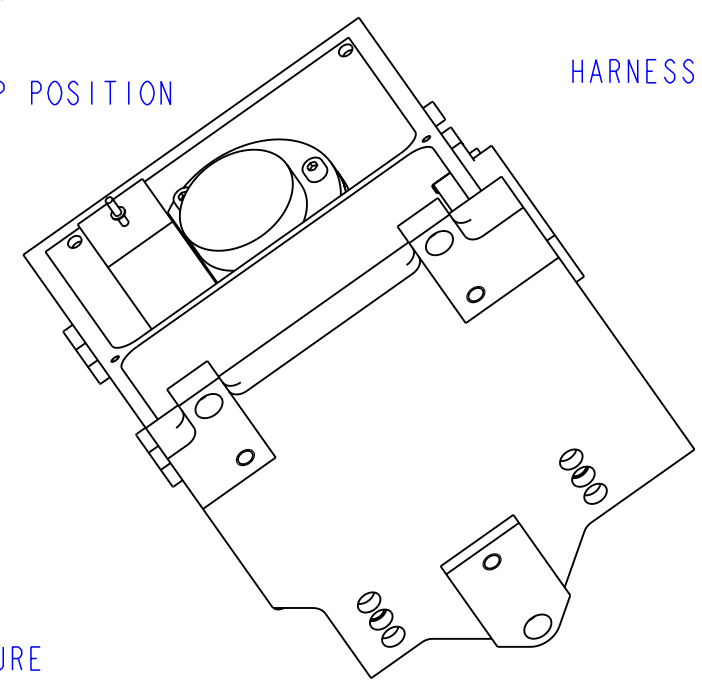
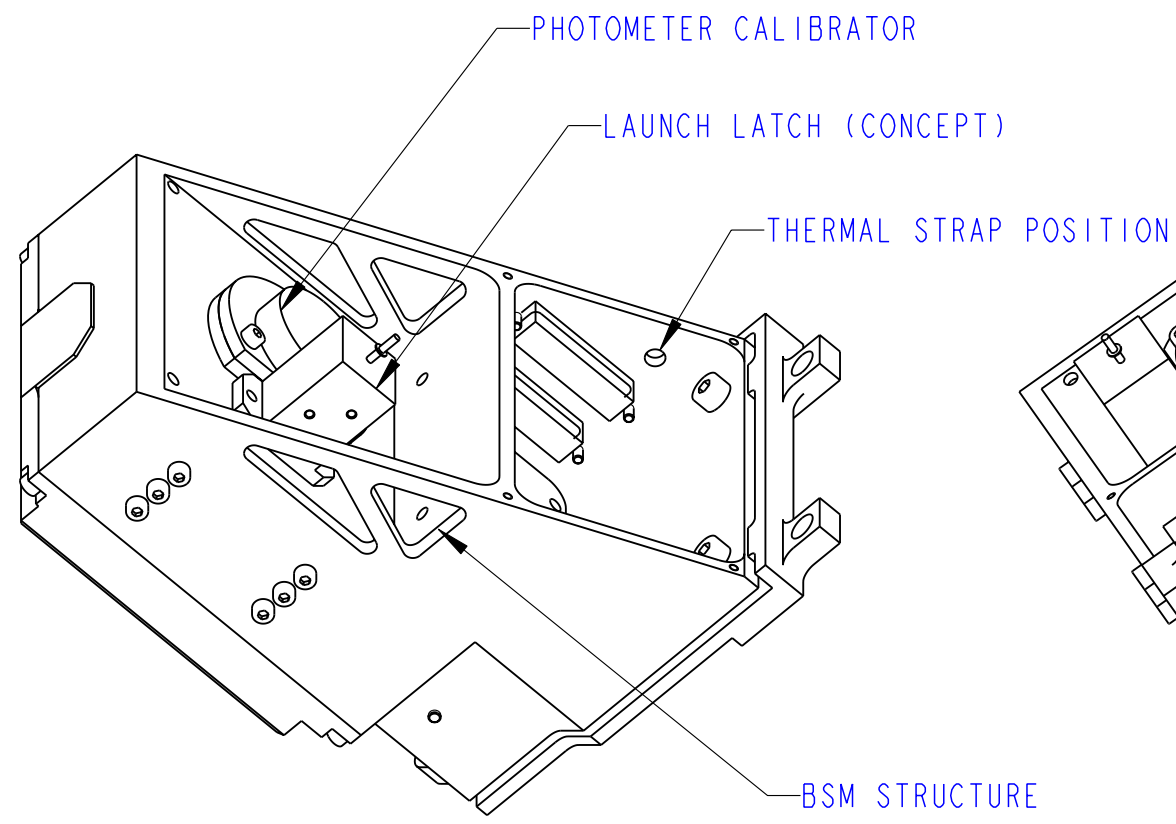


THIRD ANGLE PROJECTION DIMENSIONS IN MM						Royal Observatory Blackford Hill Edinburgh EH9 3HJ	
Material: -		CTD: -		Drawn: -		Date: -	
Finish: -				Mod'd: -		Date: -	
Unless otherwise stated		Last mod: -					
Tolerances: -		Title: SPIRE / BSM BEAM INTERFACES					
Linear : ±0.1		Size A3				Dwg No: SPIRE-BSM-021-001	
Angular : ±0.5°		Scale: -		MODEL: SPIRE-BSM-021-001		Rev -	
Remove all sharp edges				Sheet 2 OF 2			

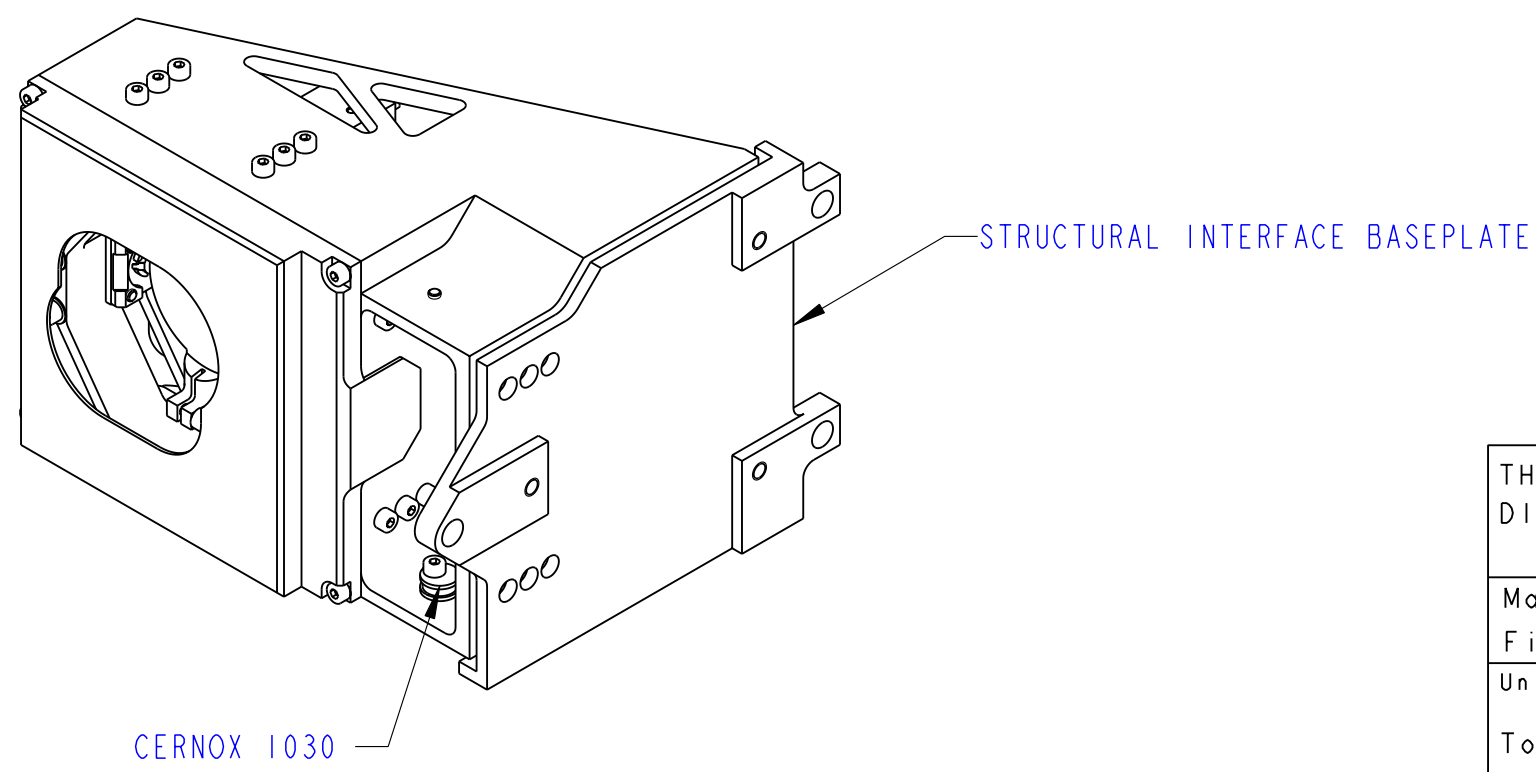
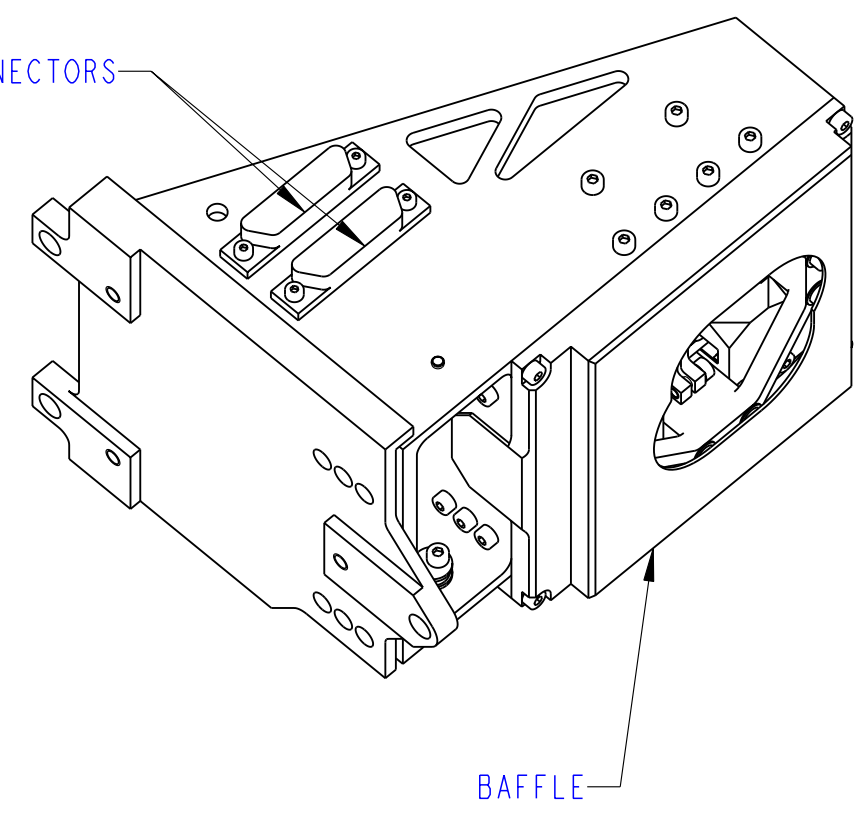


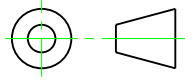

- NOTES:
1. THIS DRAWING TO BE READ IN CONJUNCTION WITH INTERFACE CONTROL DOCUMENT SPIRE-ATC-PRJ-0713
 2. CENTRE OF GRAVITY SHOWN BY 'CoG'
 3. NOMINAL MASS 0.81 kg (including contingency)
 4. HARNESS OMITTED FOR CLARITY
 5. SURFACE FINISH IS T.B.C.

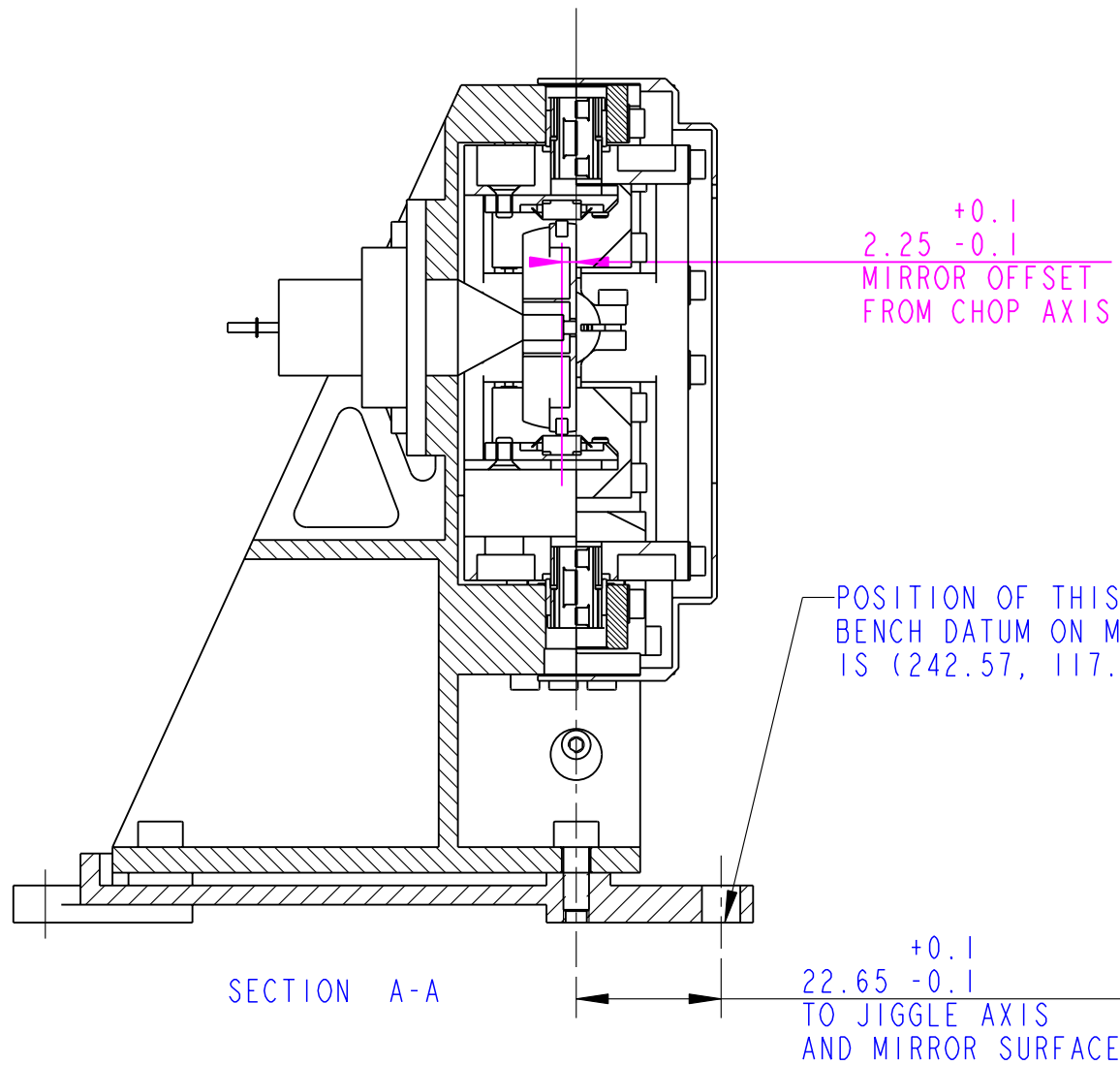
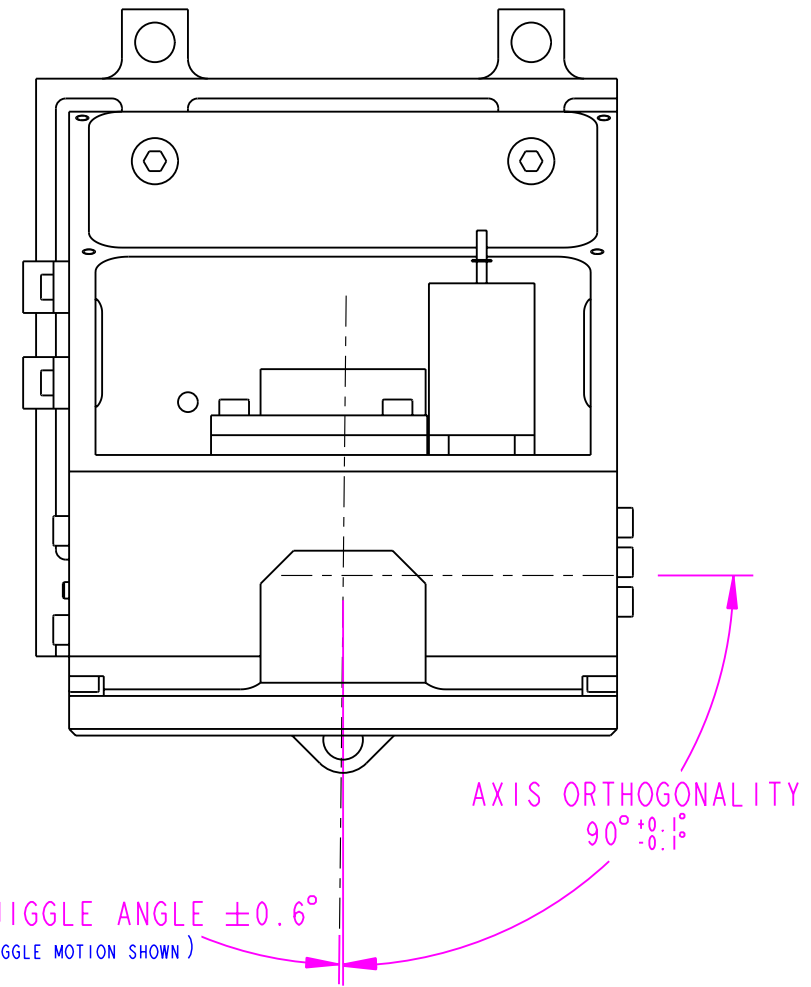
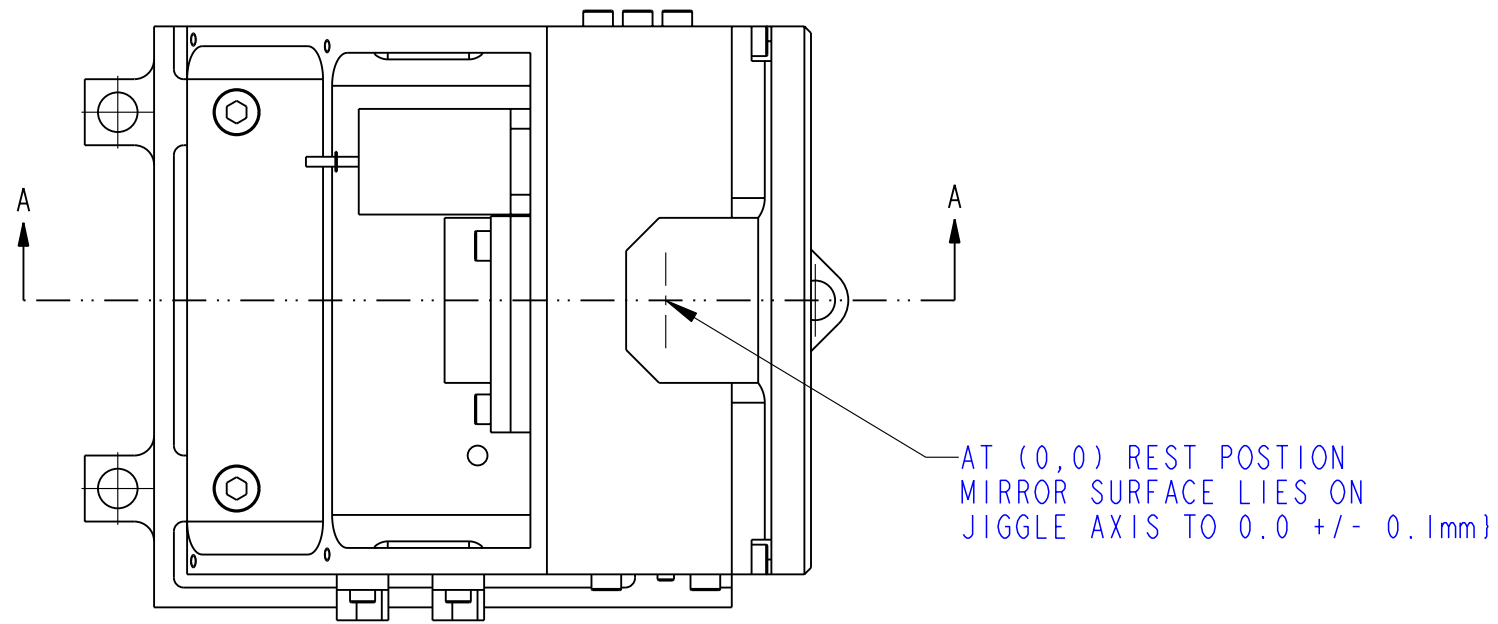
THIRD ANGLE PROJECTION DIMENSIONS IN MM		 	
Material: N/A	CTD: -	Drawn: IP	Date: 15. JUN. 01
Finish: SEE NOTE	N/A	Mod'd:	Date:
Unless otherwise stated	Last mod:		
Tolerances: -	Title: BEAM STEERING MIRROR ASSEMBLY ICD		
Linear : ± 0.1	Size	Dwg No: SPIRE-BSM-021-002-001	Rev
Angular : $\pm 0.5^\circ$	A2	Scale: 1:1	2
Remove all sharp edges	MODEL: SPIRE-BSM-020-001	Sheet: 1 of 4	




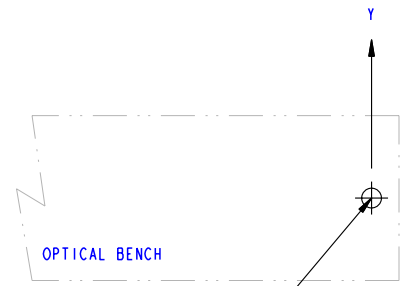
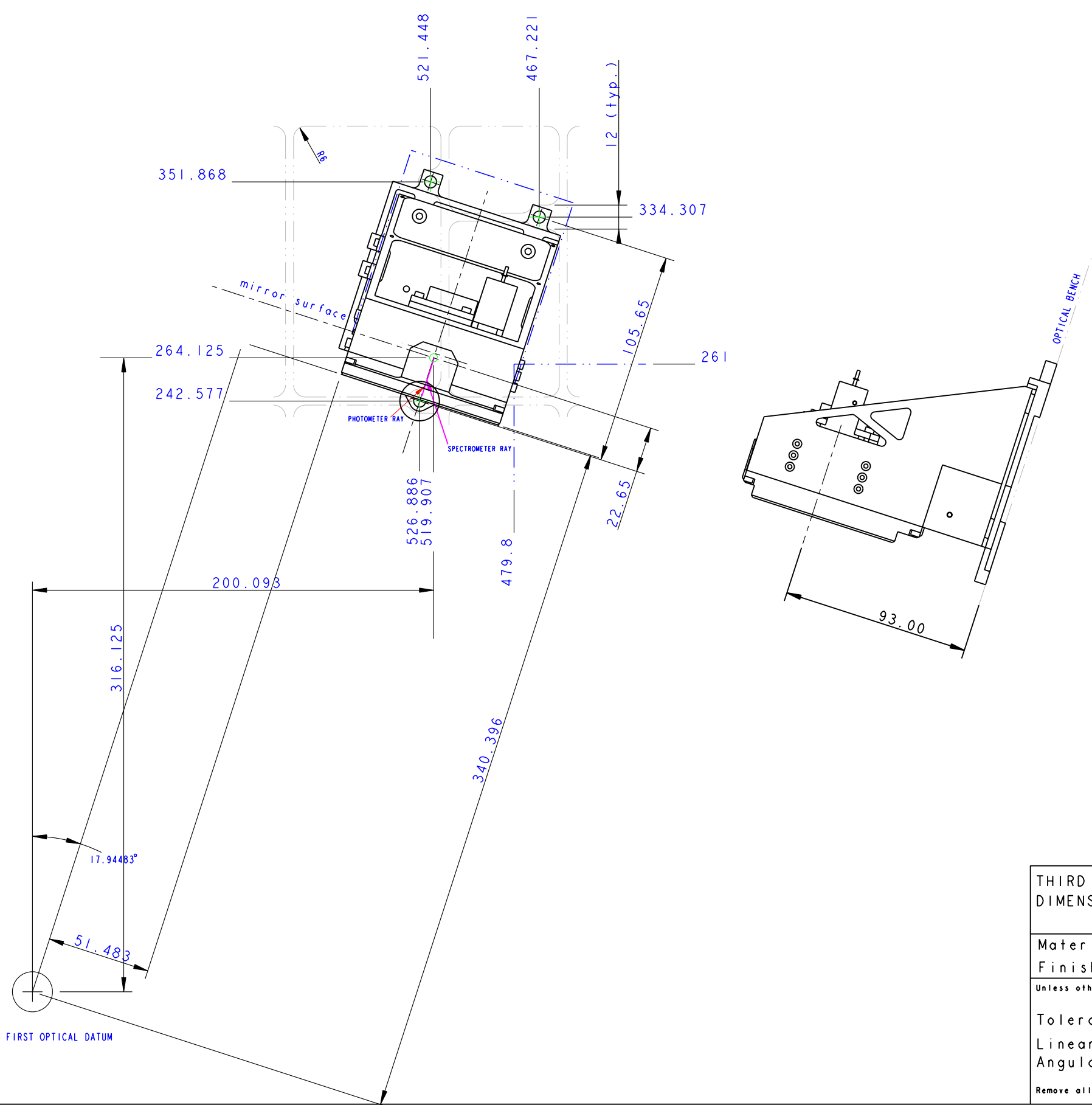
THIS SHEET SHOWS 3D VIEWS OF THE ASSEMBLY FOR INFORMATION ONLY
NOTE: HARNESS REMOVED FOR CLARITY.



THIRD ANGLE PROJECTION DIMENSIONS IN MM						Royal Observatory Blackford Hill Edinburgh EH9 3HJ	
Material: N/A		CTD: -		Drawn: IP		Date: 15. JUN. 01	
Finish: SEE NOTE				Mod'd:		Date:	
Unless otherwise stated		Last mod:					
Tolerances: -		Title: BEAM STEERING MIRROR ASSEMBLY ICD (INFORMATION VIEWS)					
Linear : ±0.1		Size A3		Dwg No: SPIRE-BSM-021-002-001		Rev 2	
Angular : ±0.5°		Scale:		MODEL: SPIRE-BSM-020-001		Sheet 2 OF 4	
Remove all sharp edges							

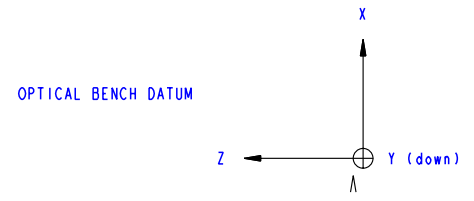


THIRD ANGLE PROJECTION DIMENSIONS IN MM		 Royal Observatory Blackford Hill Edinburgh EH9 3HJ	
Material: N/A	CTD: -	Drawn: IP	Date: 15. JUN. 01
Finish: SEE NOTE		Mod'd:	Date:
Unless otherwise stated		Last mod:	
Tolerances: -		Title: BEAM STEERING MIRROR ASSEMBLY ICD (SECTIONS SHOWING MIRROR POSITION)	
Linear : ± 0.1	Size A3	Dwg No: SPIRE-BSM-021-002-001	
Angular : $\pm 0.5^{\circ}$		Rev 2	
Remove all sharp edges	Scale:	MODEL: SPIRE-BSM-020-001	Sheet 3 OF 4



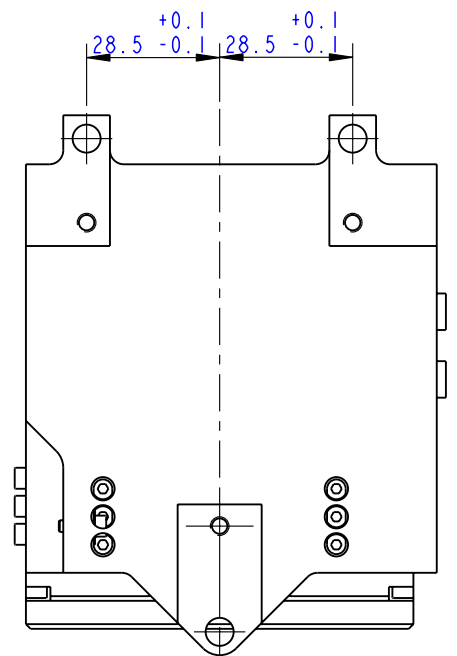
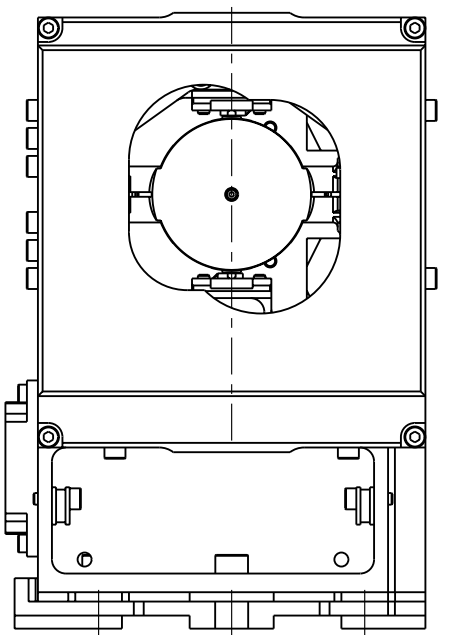
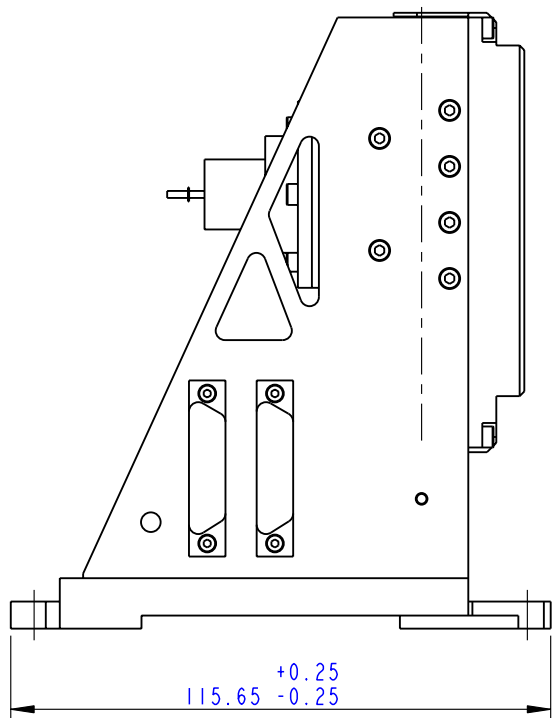
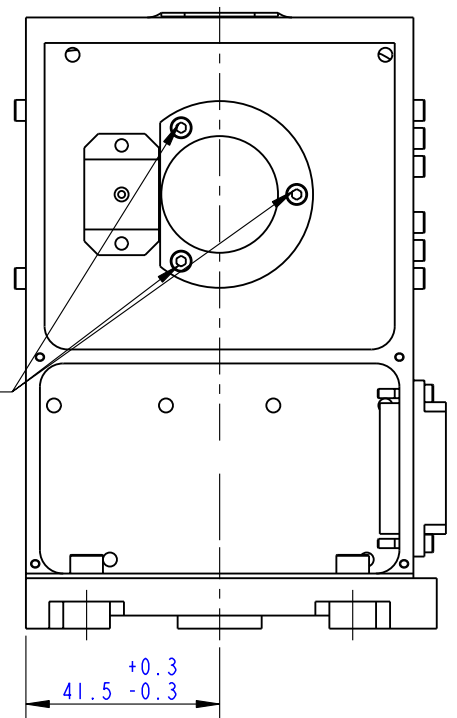
X=52.00 Y=117.20 Z=-720.00
(FROM FIRST OPTICAL DATUM)

NOTE:
ALL DIMENSIONS ON THIS DRAWING SHEET ARE T.B.C.
BSM nominally positioned normal to Photometer Gut Ray
(obtained from table in MSSL drg no A2/5264/907)
ie. 17.94483° off the telescope axis



THIRD ANGLE PROJECTION DIMENSIONS IN MM			
Material:	CTD: -	Drawn: IP	Date: 15.JUN.01
Finish:		Mod'd:	Date:
Unless otherwise stated	Last mod:		
Tolerances: -	Title: BEAM STEERING MIRROR ASSEMBLY ICD (OPTICAL BENCH DATUM)		
Linear : ±0.1	Size	Dwg No: SPIRE-BSM-021-002-001	Rev 2
Angular : ±0.5°	A2	Scale:	Sheet: 4 of 4
Remove all sharp edges		MODEL: SPIRE-BSM-020-001	

PCAL ATTACHED BY 3 OFF
 HEX-HD CAP SCREWS, M2.5
 STAINLESS STEEL.
 TORQUE TO 0.23Nm (TBC)

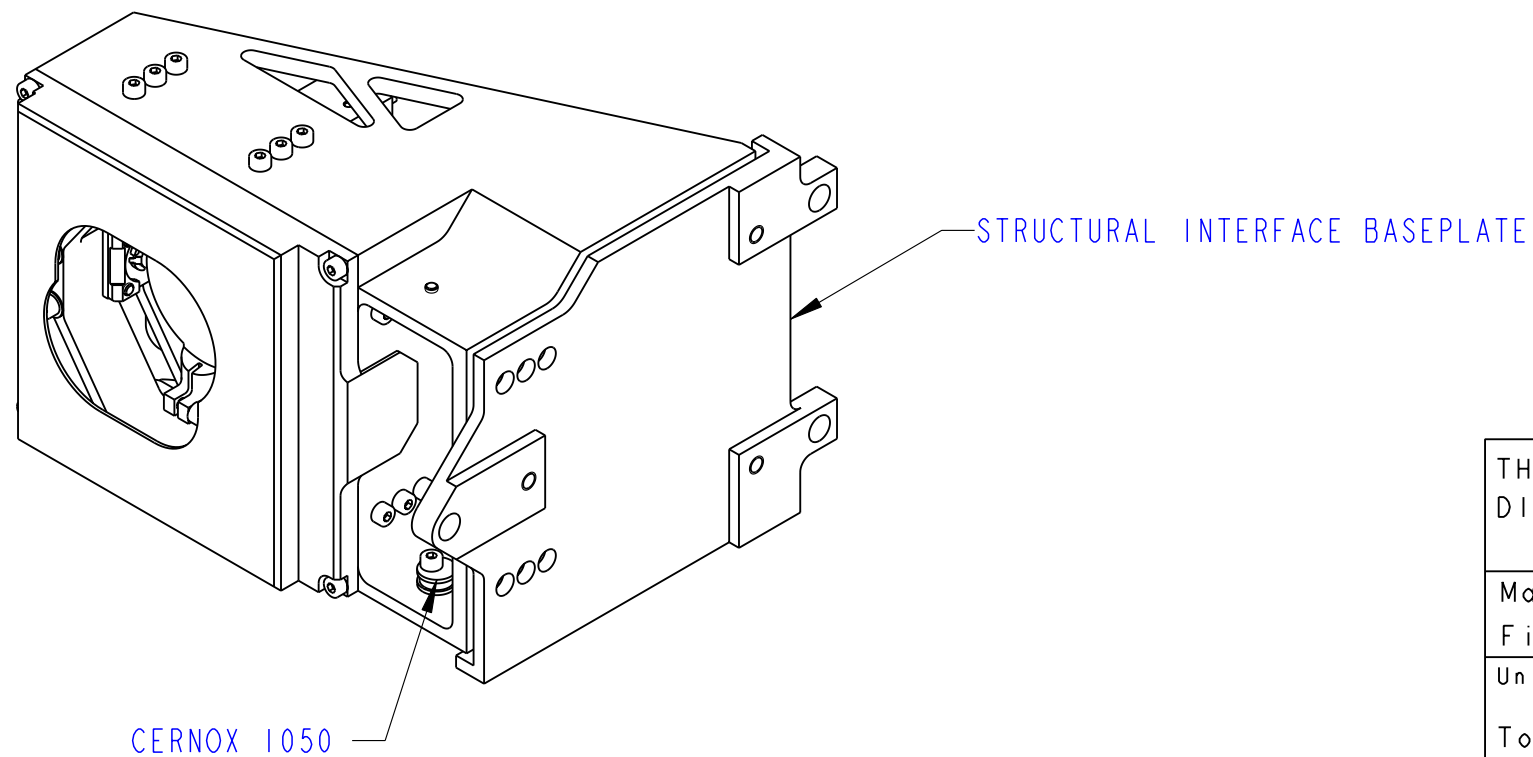
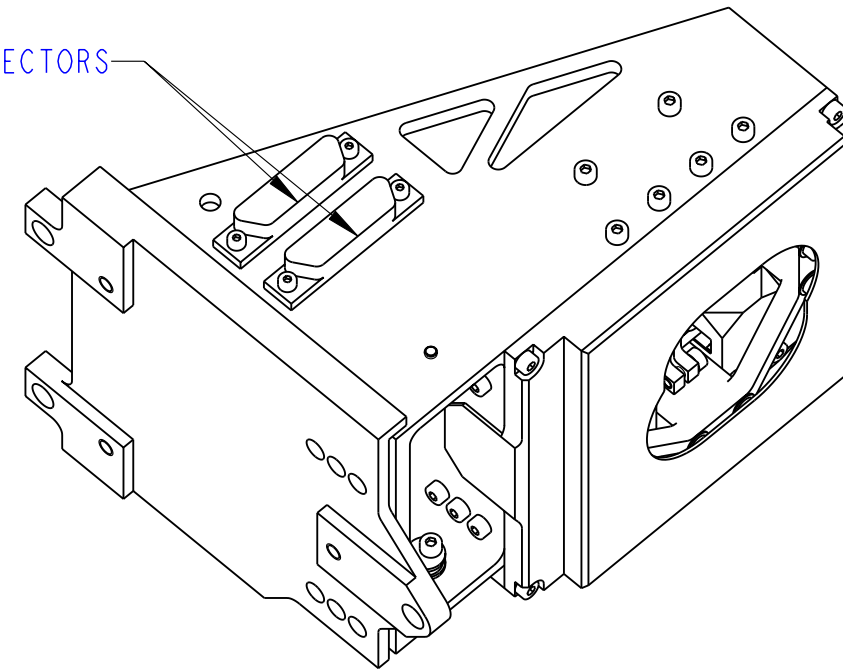
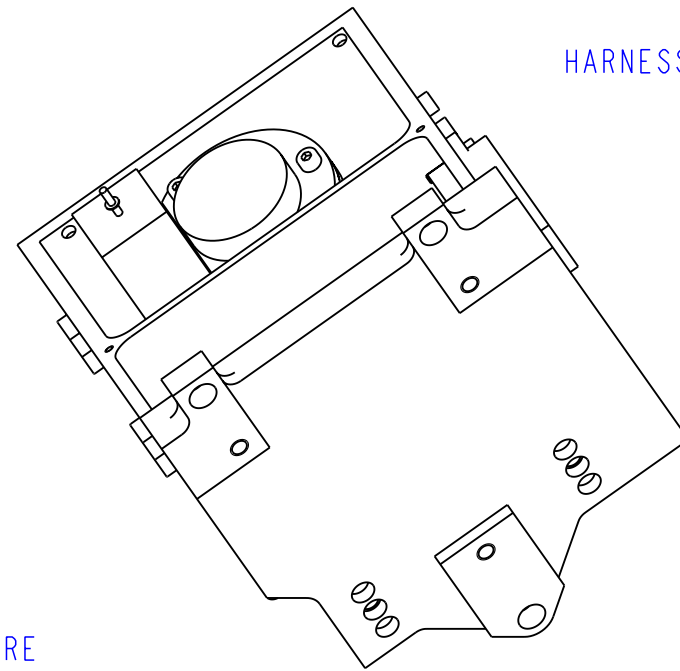
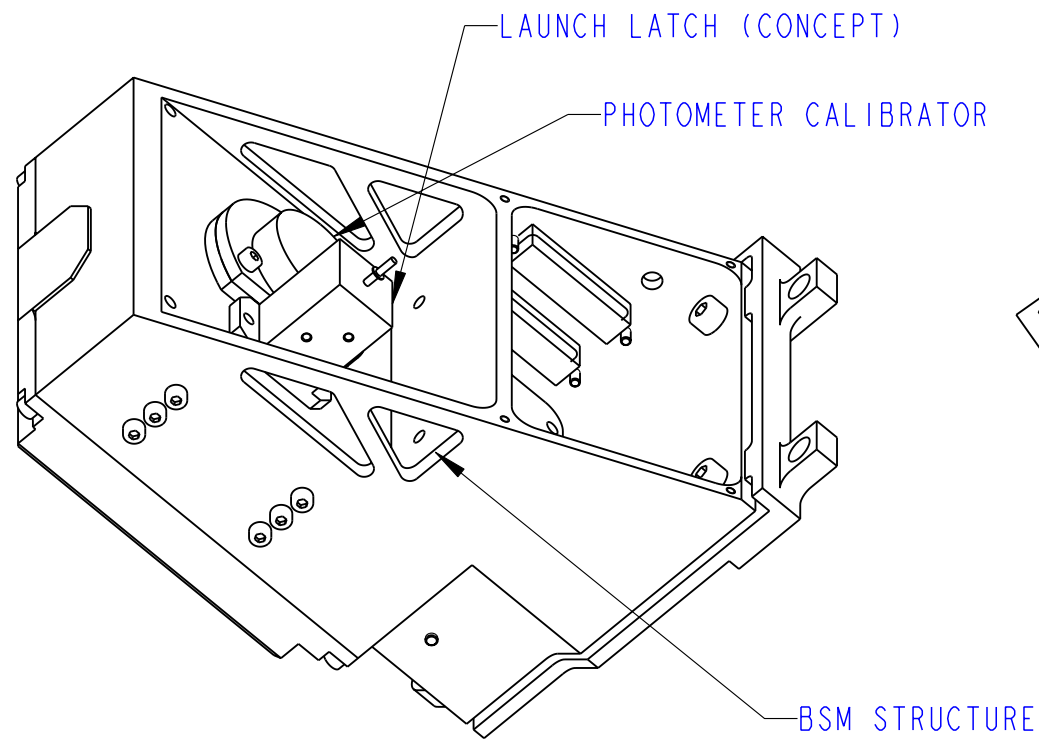


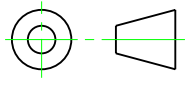

NOTES:

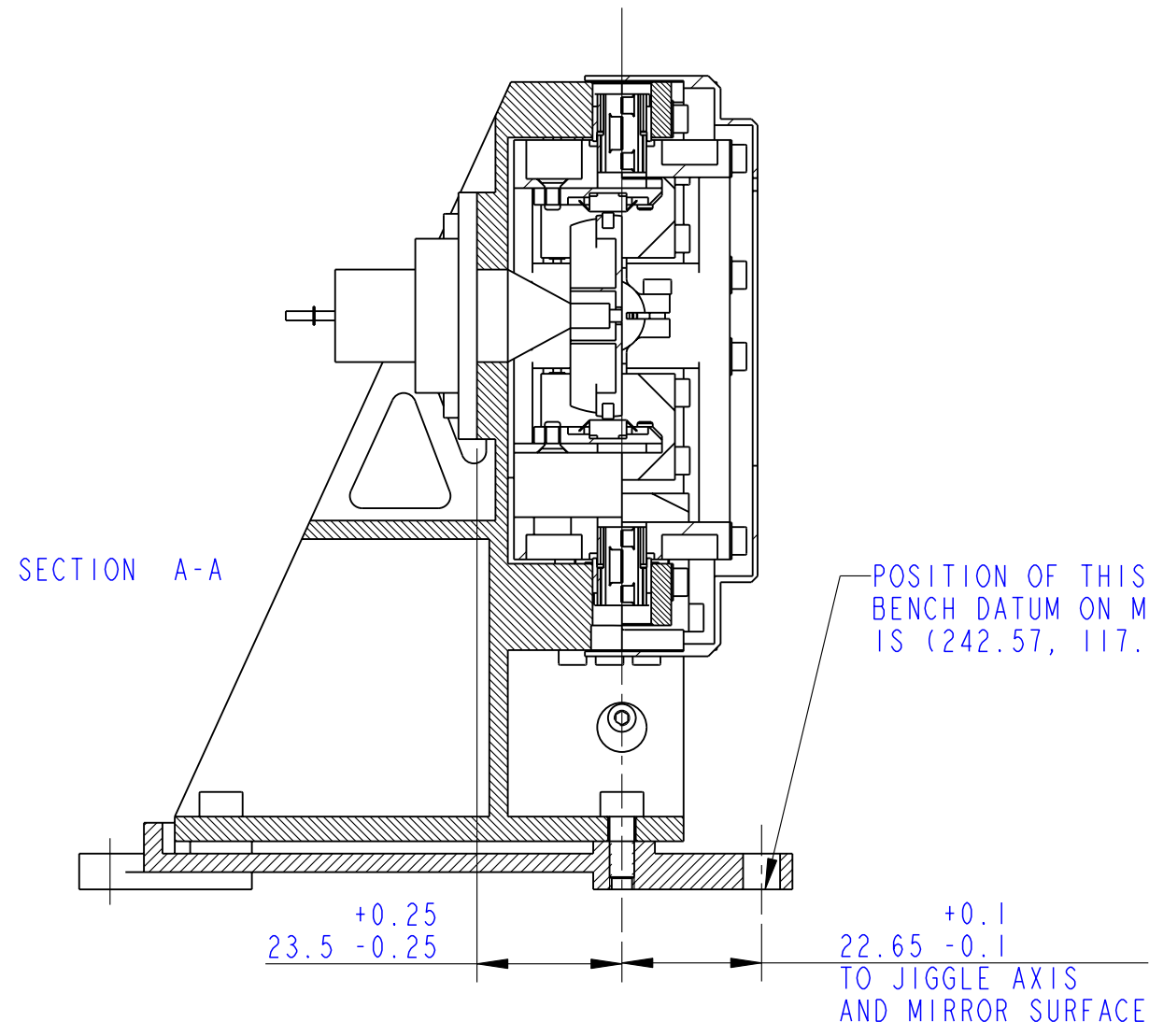
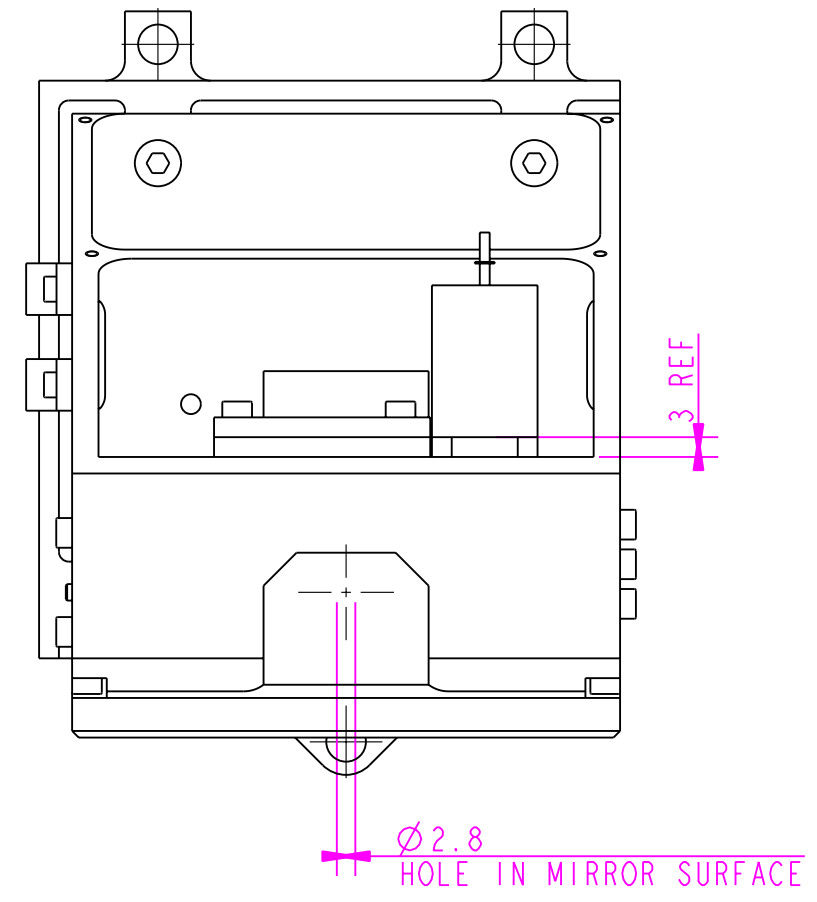
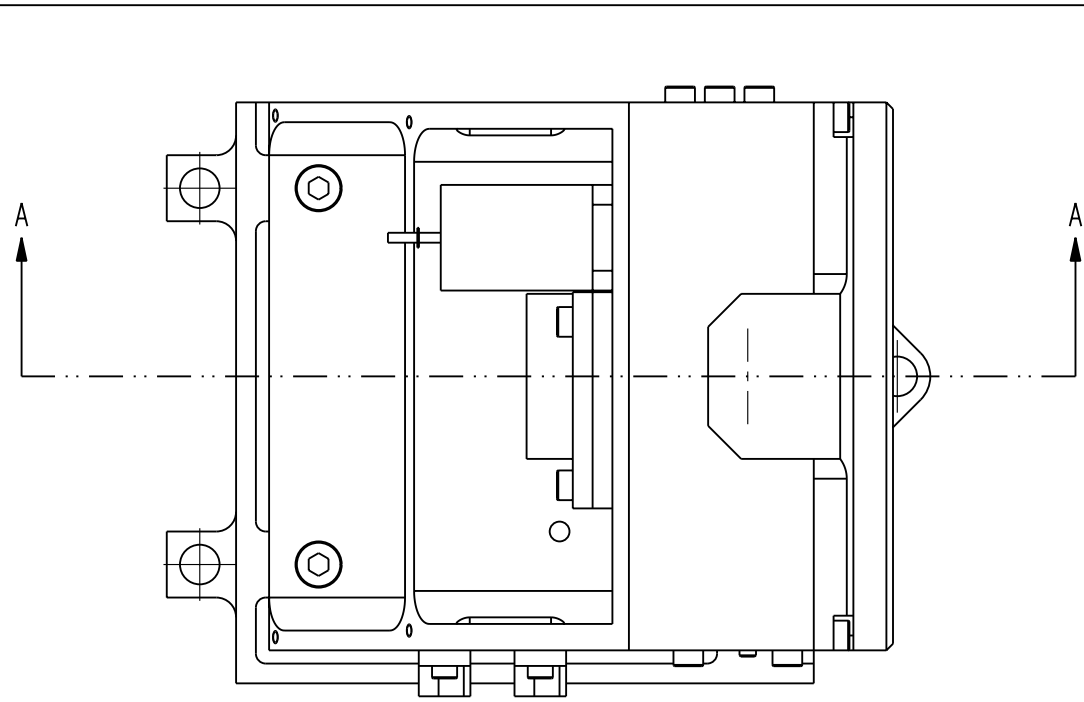
1. THIS DRAWING TO BE READ IN CONJUNCTION WITH INTERFACE CONTROL DOCUMENT SPIRE-ATC-PRJ-000587 ANNEX C (BSM-PCAL STRUCTURE ICD)
2. HARNESS OMITTED FOR CLARITY

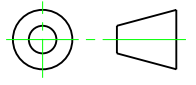

THIRD ANGLE PROJECTION DIMENSIONS IN MM			
Material: N/A	CTD: -	Drawn: IP	Date: 28.JUN.01
Finish: SEE NOTE	N/A	Mod'd:	Date:
Unless otherwise stated	Last mod:		
Tolerances: -	Title: (0 BSM-PCAL ASSEMBLY ICD)		
Linear : ±0.1	Size	Dwg No: SPIRE-BSM-021-003-001	Rev
Angular : ±0.5°	A2	Scale: 1:1	MODEL: SPIRE-BSM-020-001
Remove all sharp edges			Sheet: 1 of 3

THIS SHEET SHOWS 3D VIEWS OF THE ASSEMBLY
FOR INFORMATION ONLY
NOTE: HARNESS REMOVED FOR CLARITY.



THIRD ANGLE PROJECTION DIMENSIONS IN MM				 Royal Observatory Blackford Hill Edinburgh EH9 3HJ	
Material: N/A		CTD: -		Drawn: IP Date: 15. JUN. 01	
Finish: SEE NOTE				Mod'd: Date:	
Unless otherwise stated		Last mod:			
Tolerances: -		Title: PCAL-BSM ASSEMBLY ICD (INFORMATION VIEWS)			
Linear : ±0.1		Size A3		Dwg No: SPIRE-BSM-021-003-001	
Angular : ±0.5°		Scale:		Rev	
Remove all sharp edges		MODEL: SPIRE-BSM-020-001		Sheet 2 OF 3	



THIRD ANGLE PROJECTION DIMENSIONS IN MM				 Royal Observatory Blackford Hill Edinburgh EH9 3HJ	
Material: N/A		CTD: -		Drawn: IP Date: 15. JUN. 01	
Finish: SEE NOTE				Mod'd: Date:	
Unless otherwise stated		Last mod:			
Tolerances: -		Title: PCAL-BSM ASSEMBLY ICD (SECTIONS SHOWING MIRROR POSITION)			
Linear : ±0.1		Size A3		Dwg No: SPIRE-BSM-021-003-001	
Angular : ±0.5°		Scale:		Rev	
Remove all sharp edges		MODEL: SPIRE-BSM-020-001		Sheet 3 OF 3	