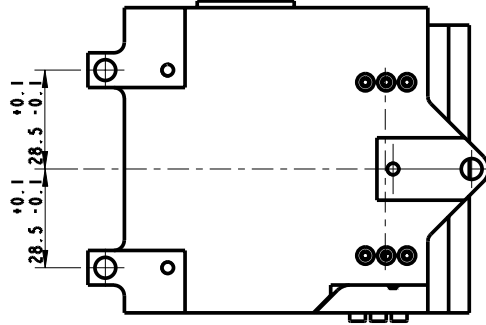
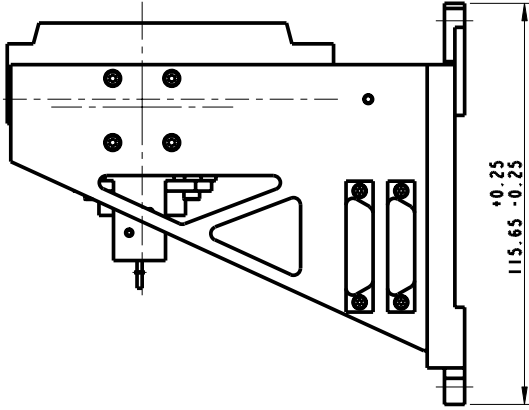
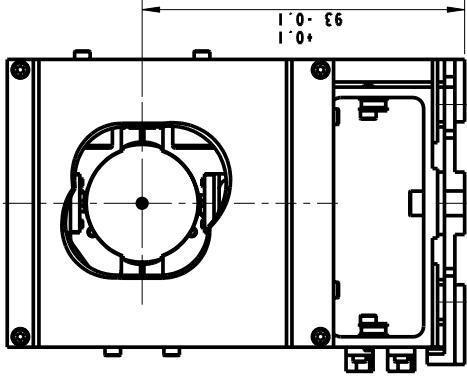


PCAL ATTACHED BY 3 OFF
HEX-HD CAP SCREWS, M2.5
STAINLESS STEEL.
TORQUE TO 0.23Nm (TBC)



NOTES:

1. THIS DRAWING TO BE READ IN CONJUNCTION WITH INTERFACE CONTROL DOCUMENT SPIRE-ATC-PRJ-000587 ANNEX C (BSM-PCAL STRUCTURE ICD)
2. HARNESS OMITTED FOR CLARITY

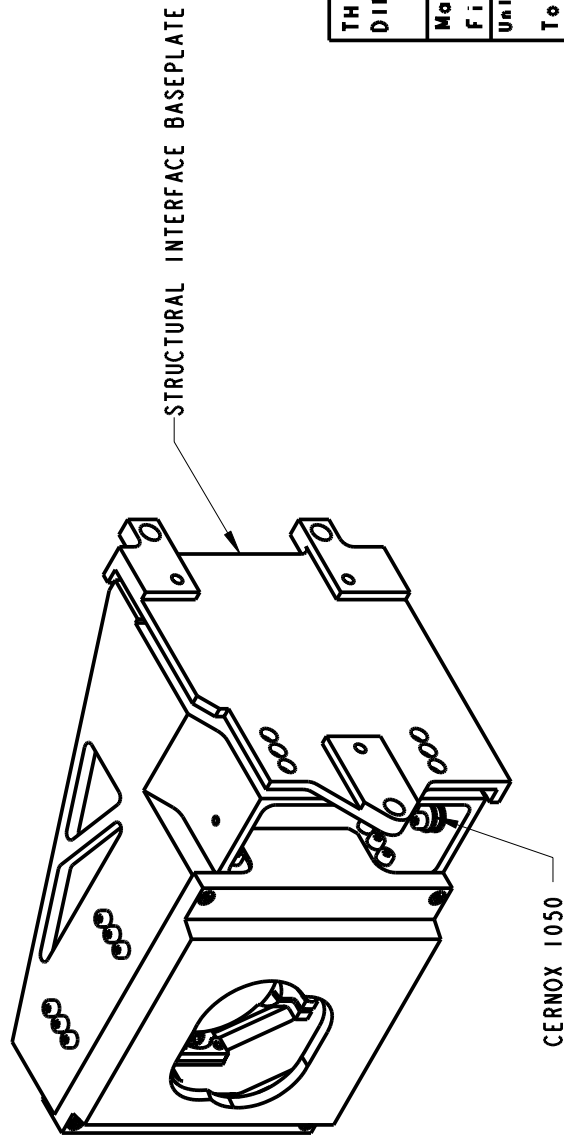
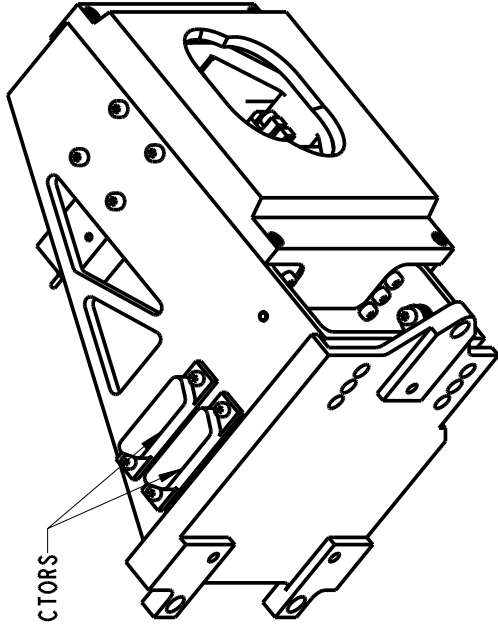
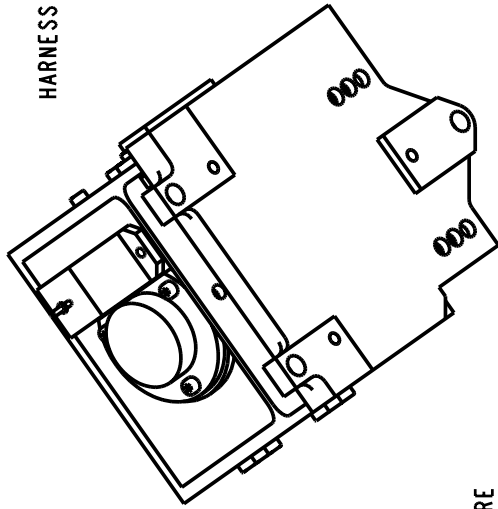
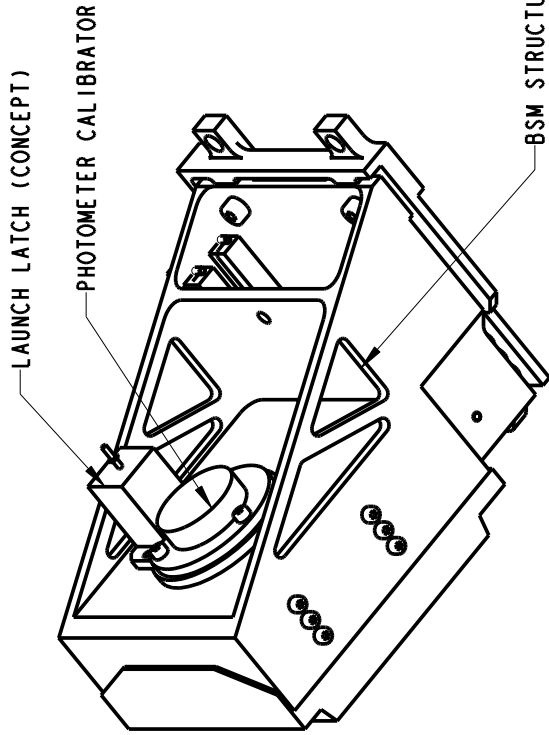
THIRD ANGLE PROJECTION
DIMENSIONS IN MM



UK
Astronomy Technology Centre (ATC)
Space Observatory
at the Mill
Leigh
Lancashire
LA15 3JJ

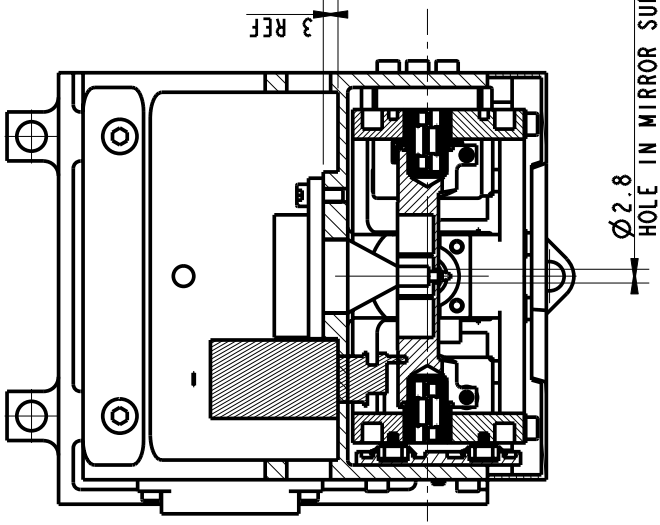
Material: N/A	CTD: -	Drawn: IP	Date: 28 JUN 01
Finish: SEE NOTE	N/A	Mod'd:	Date:
Unless otherwise stated			
Title: 10 BSM-PCAL ASSEMBLY ICD)			
Tolerances: -		Last mod:	
Linear : ±0.1		Date:	
Angular : ±0.5°		Date:	
Remove all sharp edges		Scale: 1:1	
A2		Sheet: 1 of 3	
Dwg No: SPIRE-BSM-021-003-001		Rev 2	
modt: spire-bsm-021-001		Sheet: 1 of 3	

THIS SHEET SHOWS 3D VIEWS OF THE ASSEMBLY
FOR INFORMATION ONLY
NOTE: HARNESS REMOVED FOR CLARITY.

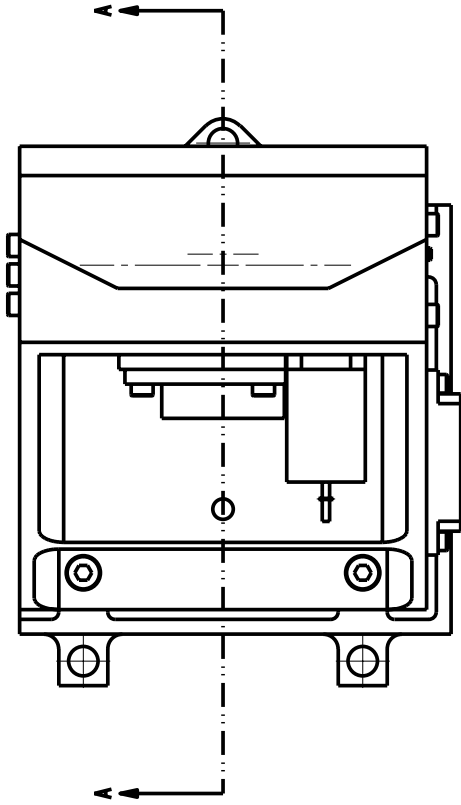


THIRD ANGLE PROJECTION DIMENSIONS IN MM		UK Royal Observatory Blackford Hill Edinburgh Astronomy Technology Centre EH9 3HJ	
		Material: N/A	CTD: -
Finish: SEE NOTE		Drawn: IP	Date: 15 JUN 01
Unless otherwise stated		Mod'd:	Date:
Last mod:			
Title: PCAL-BSM ASSEMBLY ICD (INFORMATION VIEWS)			
Tolerances:-		Size	Rev
Linear : ± 0.1		A3	2
Angular : $\pm 0.5^\circ$		Dwg No: SPIRE-BSM-021-003-001	Sheet 2 OF 3
Remove all sharp edges		Scale:	MODEL: SPIRE-BSM-020-001

SECTION B-B
THROUGH PCAL AXIS



$\varnothing 2.8$
HOLE IN MIRROR SURFACE



SECTION A-A

+0.1
-0.1
2.25 -0.1
MIRROR OFFSET
FROM CHOP AXIS

POSITION OF THIS HOLE FROM OPTICAL
BENCH DATUM ON MSSL DRG A2/5264/907
IS (242.57, 117.2, 526.863) mm

+0.25
-0.25
23.5
+0.1
-0.1
22.65
TO JIGGLE AXIS
AND MIRROR SURFACE

THIRD ANGLE PROJECTION
DIMENSIONS IN MM



UK
Astronomy Technology Centre
Edinburgh
Blackford Hill
EH9 3HJ
Royal Observatory

Material: N/A	CTD: -	Drawn: IP	Date: 15 JUN 01
Finish: SEE NOTE	Last mod:	Mod'd:	Date:

Unless otherwise stated

Tolerances:-
Linear : ± 0.1
Angular : $\pm 0.5^\circ$

Title: PCAL-BSM ASSEMBLY ICD
(SECTIONS SHOWING MIRROR POSITION)

Remove all sharp edges

Size	Dwg No:	Rev
A3	SPIRE-BSM-021-003-001	2

Scale:

Model: SPIRE-BSM-020-001

Sheet 3 OF 3