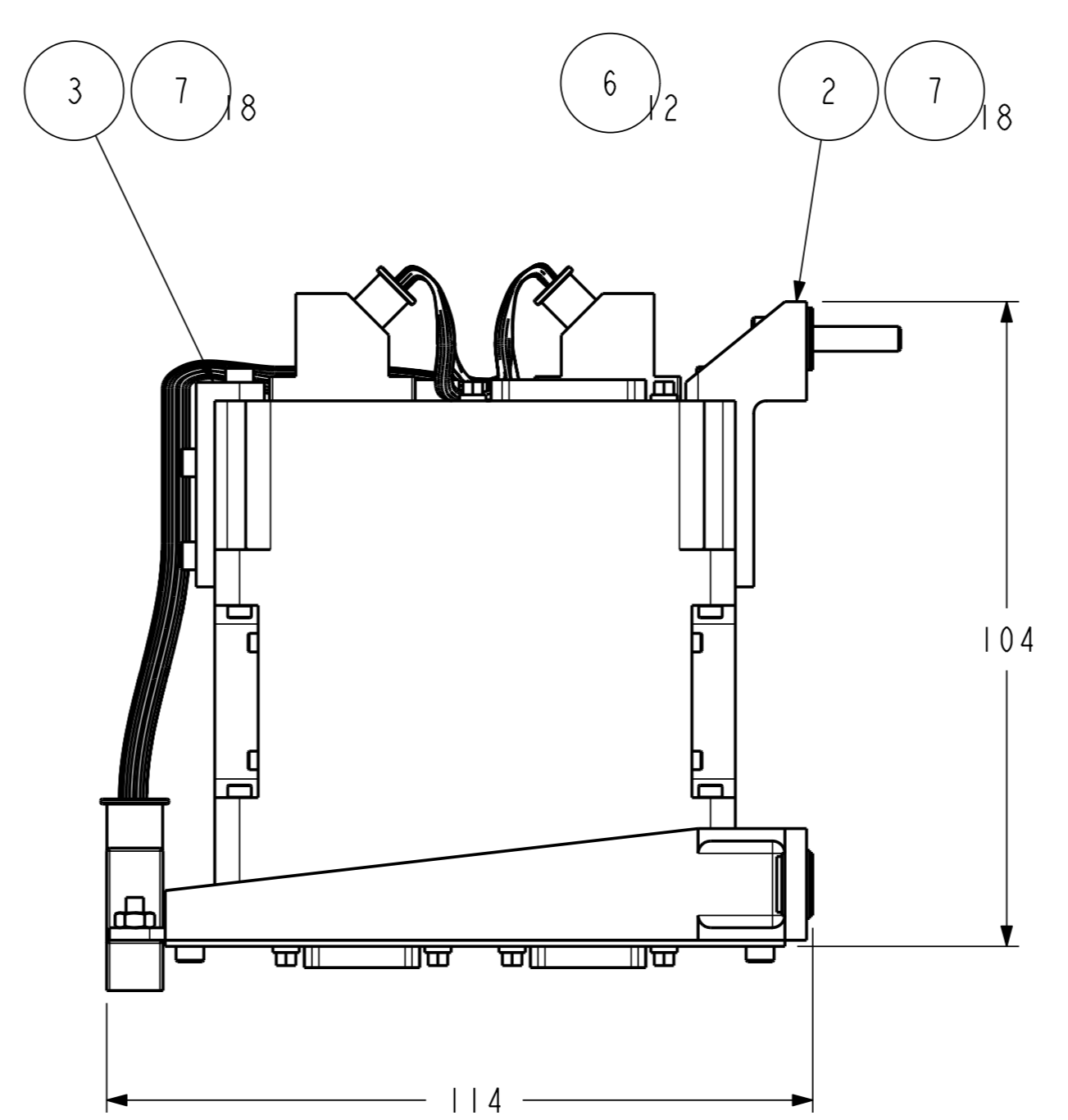
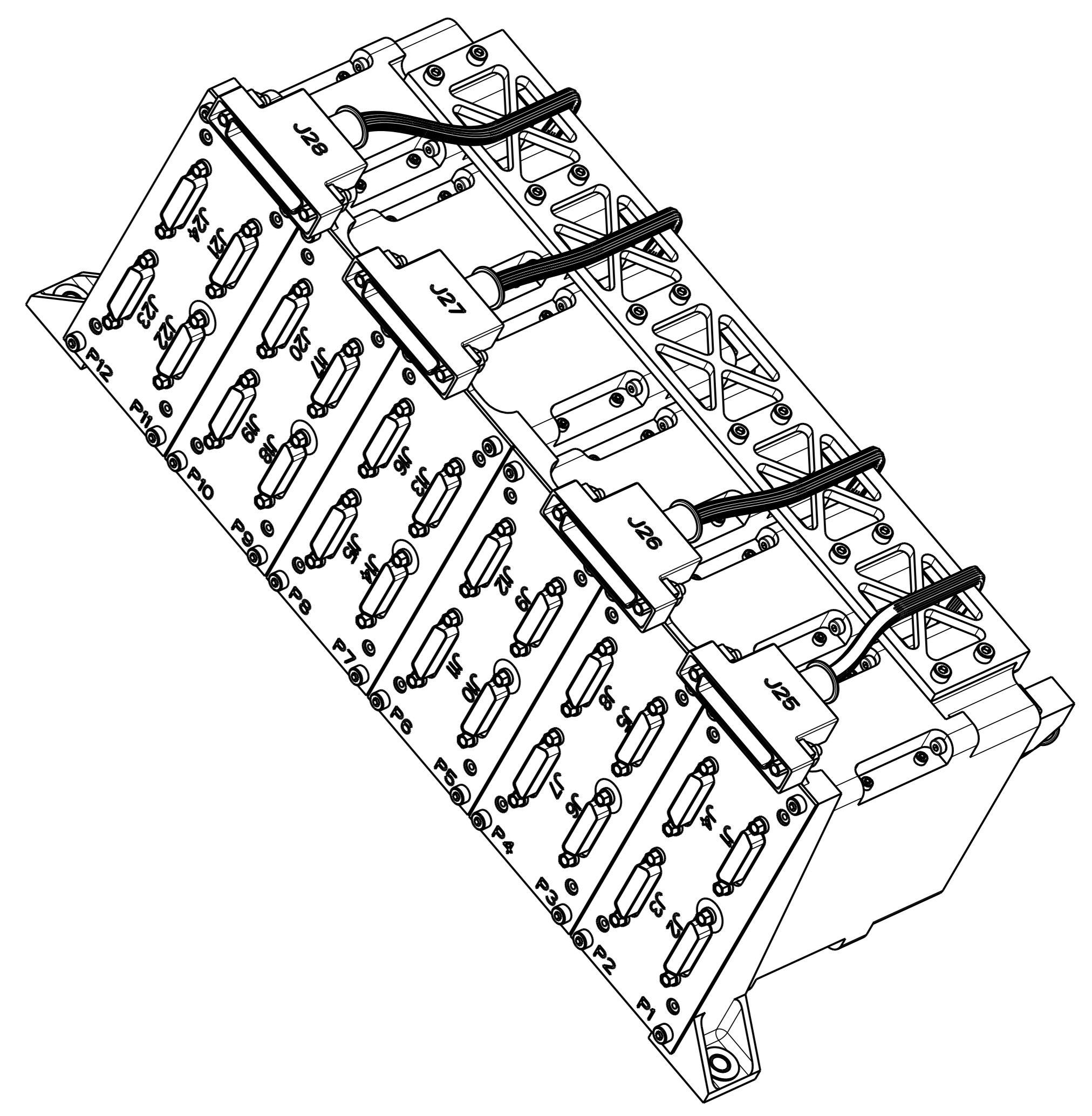


SCRAP VIEW A-A
SHOWING INSULATION
AND FIXING DETAIL
TYP FOR ALL FEET
5:1



| No. | DESCRIPTION | QTY | MASS (g) / ITEM | MASS (g) TOTAL | REMARKS |
|-------------|---------------------|-----|--------------------|-------------------|-------------------------|
| 1 | FRONT PLATE | 1 | 108.0 | 108.0 | |
| 2 | LOWER REAR PLATE | 1 | 32.4 | 32.4 | |
| 3 | UPPER REAR PLATE | 1 | 51.6 | 51.6 | |
| 4 | JFET MODULE | 6 | 305 | 1830 | |
| 5 | 37 WAY MICRO-D ASSY | 4 | 17.0 | 68.0 | CONNECTOR AND BACKSHELL |
| 6 | 15 WAY MICRO_D ASSY | 12 | 8.3 | 99.6 | CONNECTOR AND BACKSHELL |
| 7 | SCREW M2.5 x 8 LONG | 60 | 0.6 | 36.0 | |
| 8 | SCREW M4 x 20 LONG | 5 | 3.0 | 15.0 | |
| 9 | WASHER M4 | 5 | 3.1 | 15.5 | |
| 10 | TOP INSULATOR | 5 | 0.04 | 0.20 | |
| 11 | BOTTOM INSULATOR | 5 | 0.09 | 0.45 | |
| GRAND TOTAL | | | | 2256.8 | |

NOTE
ITEMS 10 & 11 TO BE PERMANENTLY BONDED TO FEET POSITIONS



FOR INFORMATION ONLY

| SPIRE MASTER DRAWING | |
|----------------------|----------|
| PROJECT MEMBER | APPROVED |
| PROJECT MANAGER | |
| SYSTEM ENG | |
| ELECTRONICS ENG | |
| PA GROUP | |
| STRESS ENG | |
| OPTICAL ENG | |
| THERMAL ENG | |
| MECHANICAL ENG | |

| ISSUE | DATE | MOD. No. | DRN. BY | CHKD. | APPD. | STATUS |
|---|----------|--------------------|---------|----------------|-------|-------------|
| D | 11-01-02 | KE-2896 | T.R.F | | | PROVISIONAL |
| TOLERANCES UNLESS STATED | | FINISH CLEAN | | ORIGINAL SCALE | | |
| ±0.2 mm | | REMOVE ALL BURRS | | 1:1 | | |
| ±0.3 | | SURFACE TEXTURE μm | | DO NOT SCALE | | |
| MATERIAL & SPEC. | | 1.6 | | 0 50mm | | |
| | | ✓ UNLESS STATED | | | | |
| USED ON | | | | | | ©CLRC 2001 |
| CENTRAL LABORATORY OF THE RESEARCH COUNCILS | | | | | | |
| TITLE | | | | | | |
| 6 JFET ASSEMBLY | | | | | | |
| SPIRE | | | | | | JFET |
| A 0-6JFET_ASSY-D | | | | | | 1 of 1 |