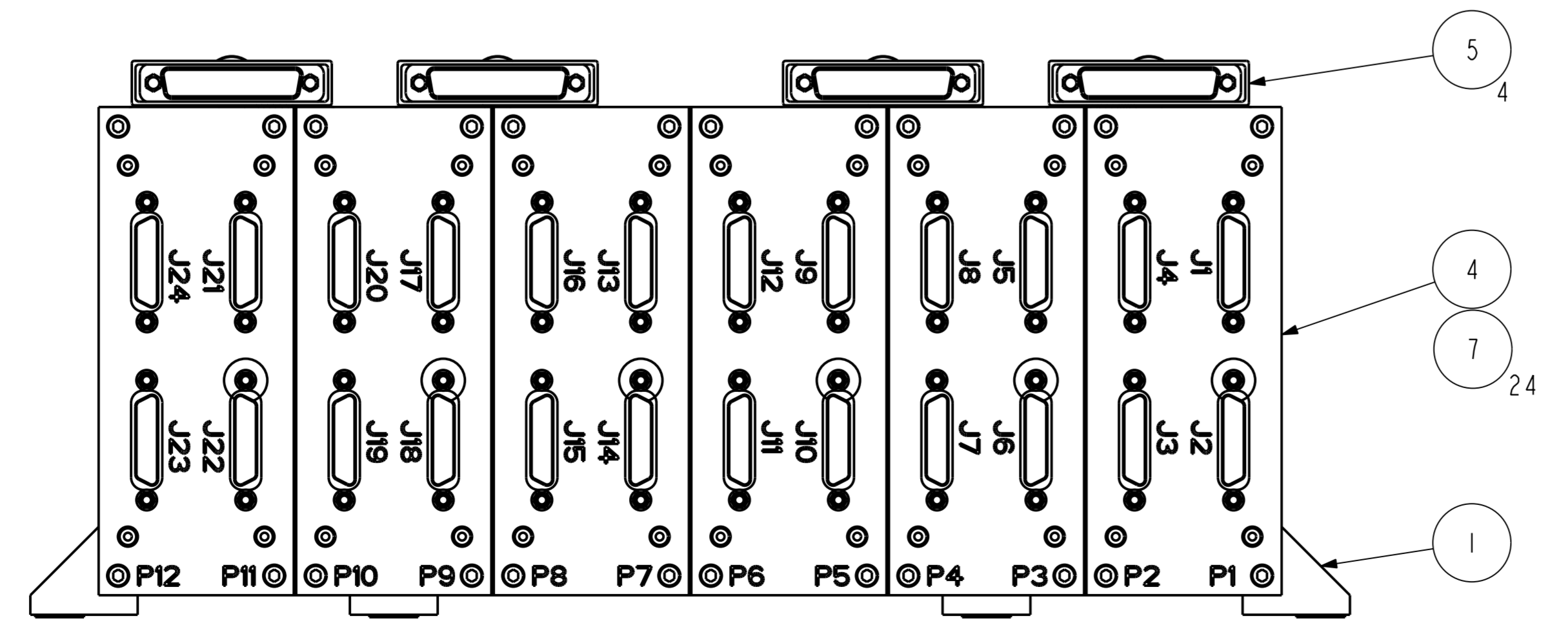
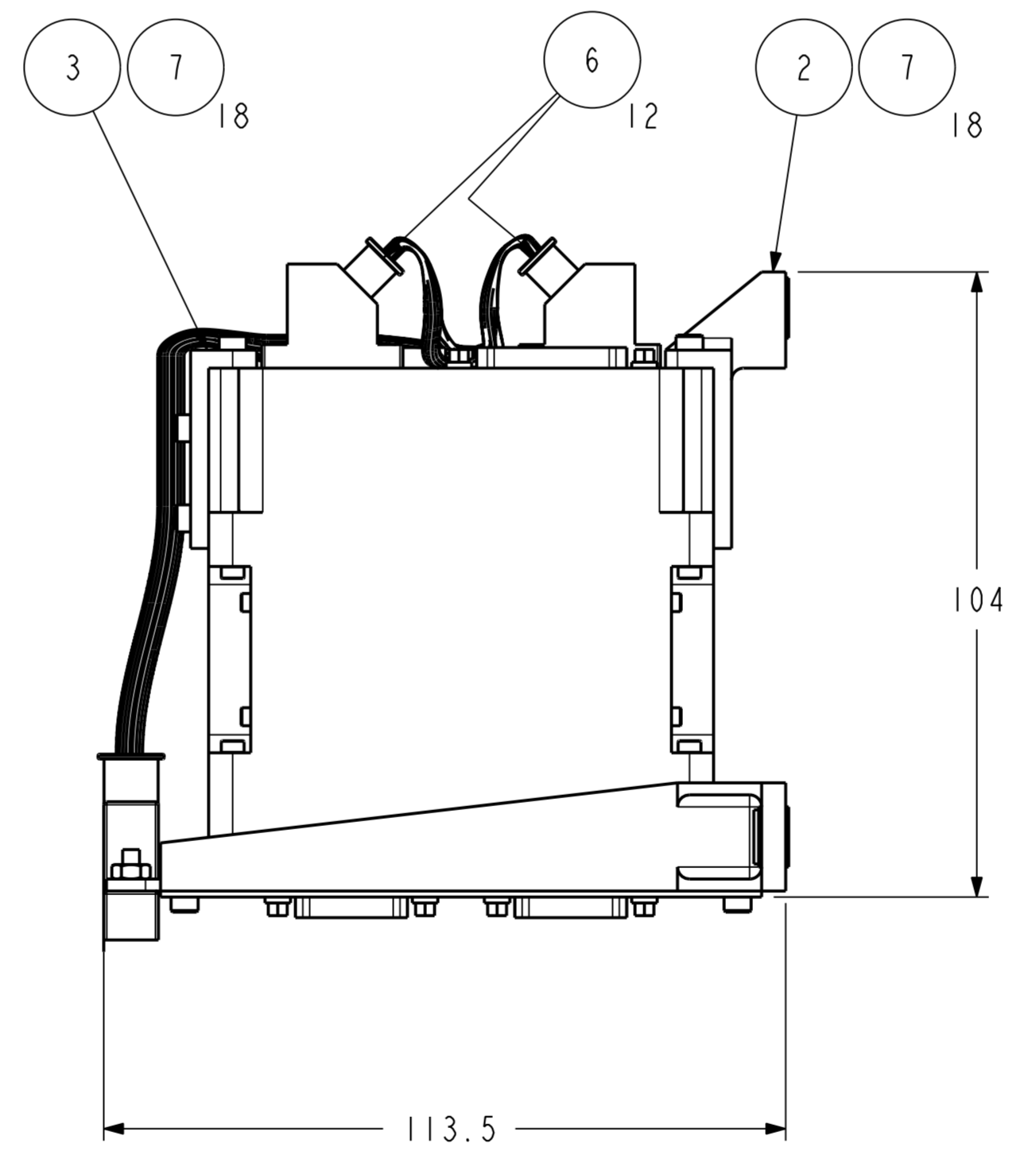
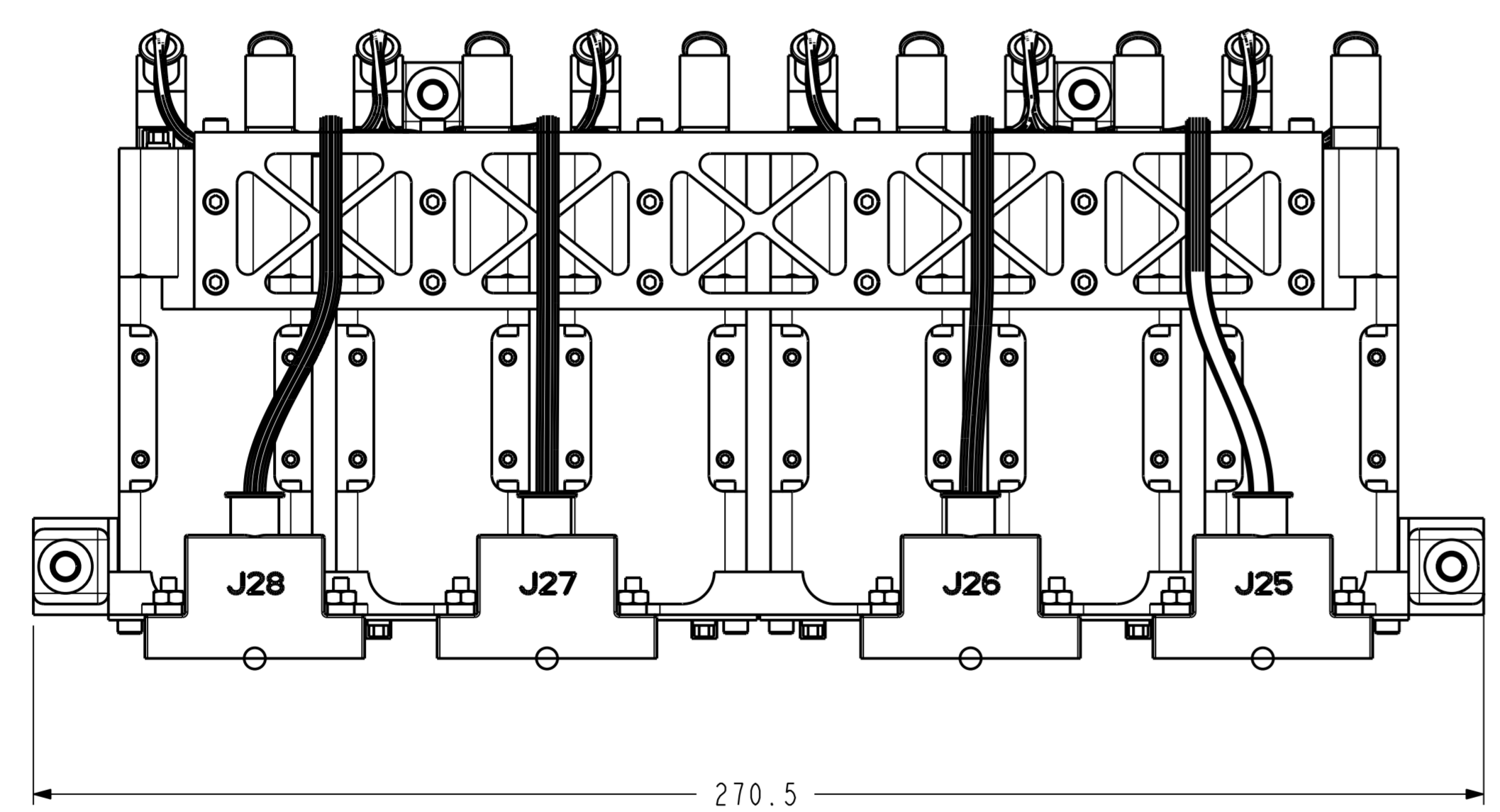
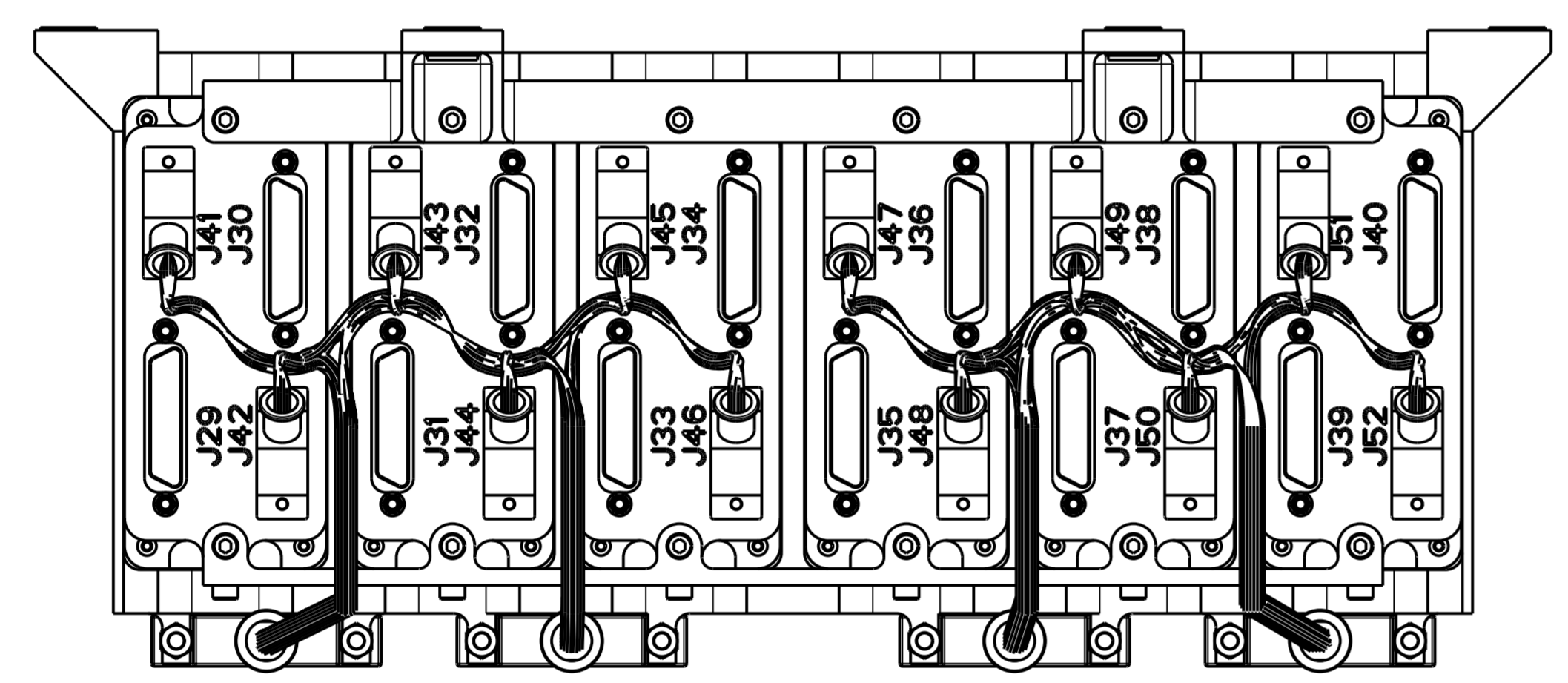
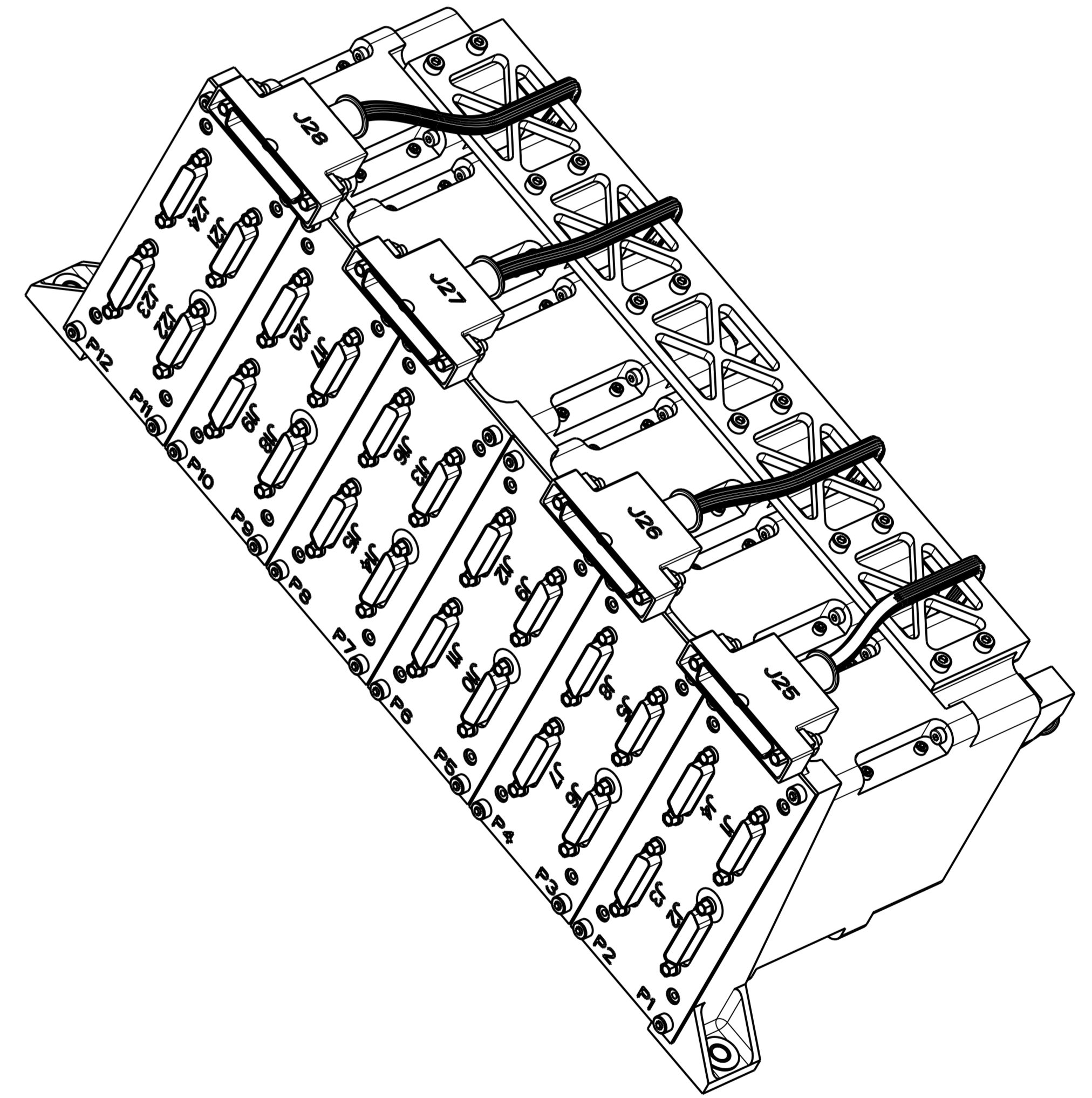


SCRAP VIEW A-A  
SHOWING INSULATION  
AND FIXING DETAIL  
TYP FOR ALL FEET  
5:1



No.	DESCRIPTION	QTY	MASS (g) / ITEM	MASS (g) TOTAL	REMARKS
1	FRONT PLATE	1	108.0	108.0	
2	LOWER REAR PLATE	1	32.4	32.4	
3	UPPER REAR PLATE	1	51.6	51.6	
4	JFET MODULE	6	305	1830	
5	37 WAY MICRO-D ASSY	4	17.0	68.0	CONNECTOR AND BACKSHELL
6	15 WAY MICRO-D ASSY	12	8.3	99.6	CONNECTOR AND BACKSHELL
7	SCREW M2.5 x 8 LONG	60	0.6	36.0	
8	SCREW M4 x 20 LONG	4	3.0	12.0	
9	WASHER M4	4	3.1	12.4	
10	TOP INSULATOR	4	0.04	0.16	
11	BOTTOM INSULATOR	4	0.09	0.36	
GRAND TOTAL				2250.5	

NOTE  
ITEMS 10 & 11 TO BE PERMANENTLY BONDED TO FEET POSITIONS



B	30-NOV-01	KE-2896	T.R.F			PROVISIONAL
ISSUE	DATE	MOD. No.	DRN. BY	CHKD.	APPD.	STATUS
TOLERANCES UNLESS STATED			FINISH		ORIGINAL SCALE	
± mm			REMOVE ALL BURRS		1:1	
MATERIAL & SPEC.			SURFACE TEXTURE µm		DO NOT SCALE	
			✓ UNLESS STATED		0 50mm	

SPIRE MASTER DRAWING	
PROJECT MEMBER	APPROVED
PROJECT MANAGER	
SYSTEM ENG	
ELECTRONICS ENG	
PA GROUP	
STRESS ENG	
OPTICAL ENG	
THERMAL ENG	
MECHANICAL ENG	

USED ON	© CLRC 2001
CENTRAL LABORATORY OF THE RESEARCH COUNCILS	
TITLE 6 JFET ASSEMBLY	
SPIRE	JFET
A 0-6JFET_ASSY-A	1 of 1

FOR INFORMATION ONLY