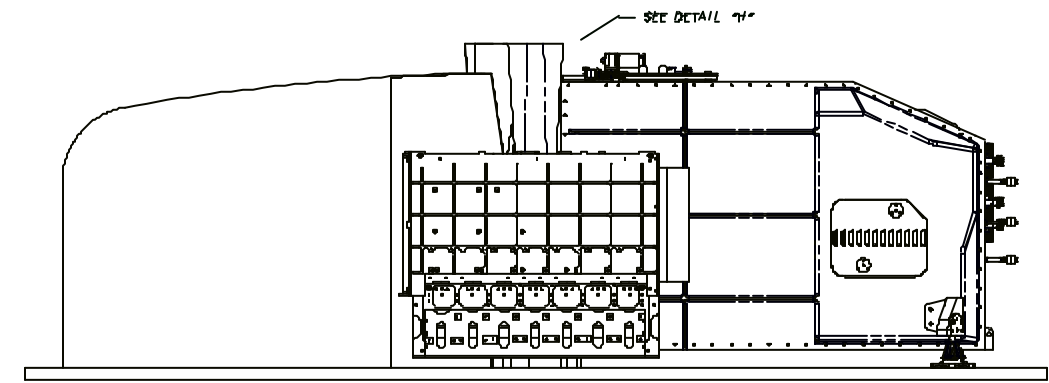
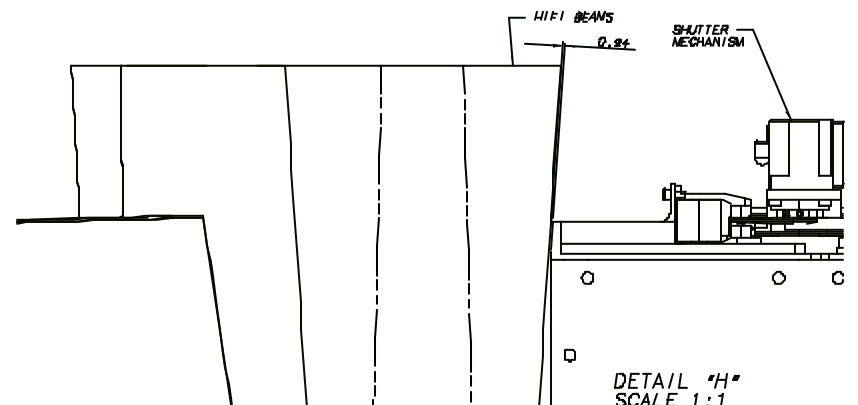
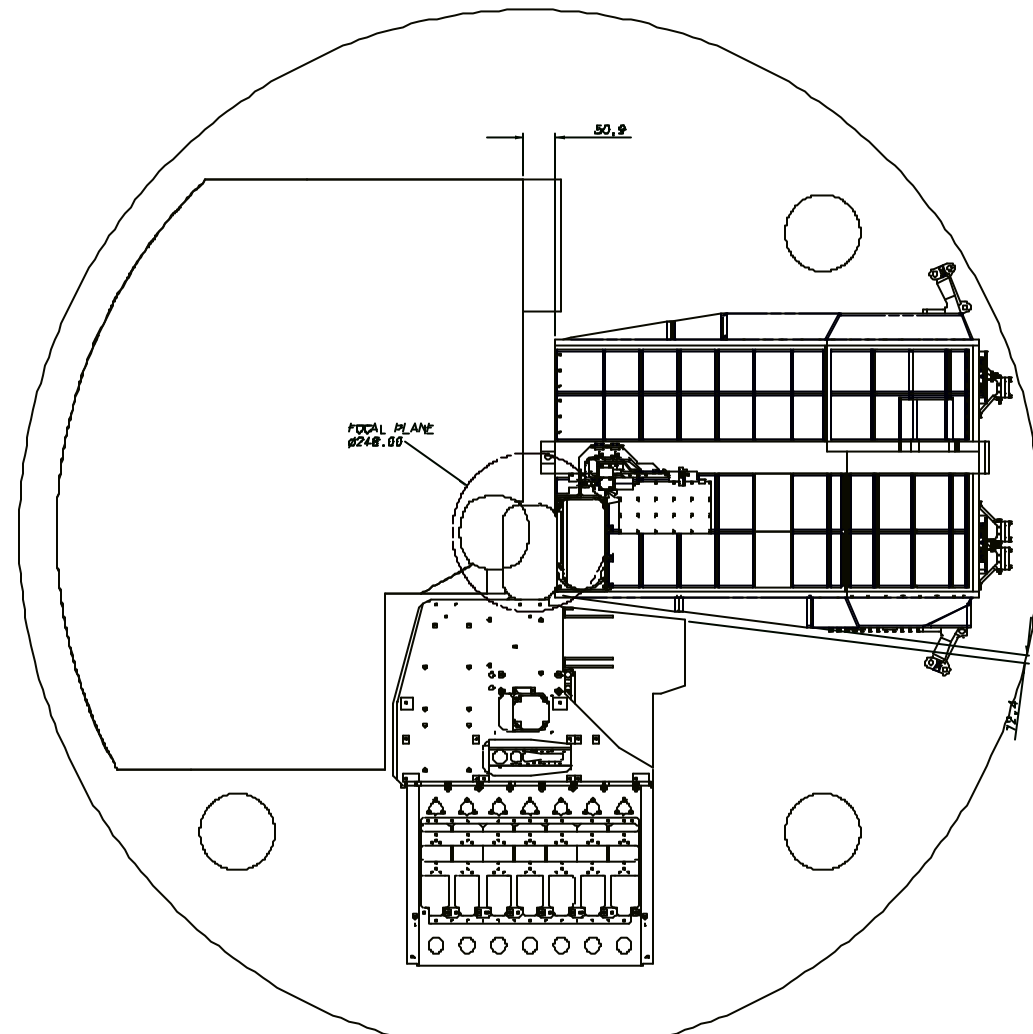
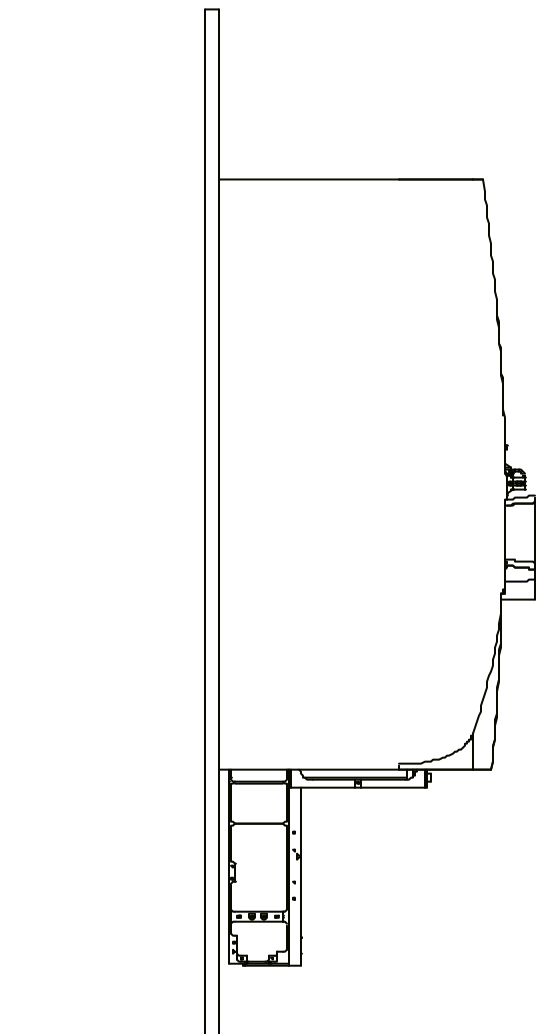


DRAWING No.
A1 5264 300sht7

THIRD ANGLE PROJECTION

DO NOT SCALE

USED ON
HERSCHEL



CHECKED	13	19/11/01	UPDATED HIFI FILTER & PACT CONNECTORS ADDED, FOCAL PLANE & HIFI FRAME HEIGHT DIM ADDED, SHEET 7 ADDED.	
	12	4/9/01	ADJUST ISOLE SHUTTER MECHANISM ADDED, COIL STRAPS AND MOUNTINGS ADDED, LINE WEIGHTS MODIFIED	
TRACED PBG	11	30/7/01	RE-DRAWN. 2X TABLE HARNESS HOLES PROVIDED (SHT 8) SENSOR CONNECTIONS ADDED TO PACT COILS 3 PACT DRAWING SHEETS 3, 4 & 8 ADDED. DIMENSIONS SHOWN ON OTHER SHEETS REMOVED FROM THIS SHEET	
	10	28/6/01		
DRAWN AJC	ISSUE	DATE	AMENDMENT	SP/PC Flight 2000/01/20
	1	24/11/01		COMPUTER FILE

PROTECTIVE FINISH AS LISTED	MATERIAL & SPEC. AS LISTED	TOLERANCES UNLESS OTHERWISE STATED - LINEAR +/- 0.10 ANGULAR +/- 0°15'
ESTD MT. 50kg(INC.COVT.)	DIMENSIONS IN mm	SCALE
ACTL WT.		

DEPARTMENT OF SPACE AND CLIMATE PHYSICS UNIVERSITY COLLEGE LONDON MULLARD SPACE SCIENCE LABORATORY, HOLMBURY ST. MARY, DORKING, SURREY.		DRAWING No
TITLE SPIRE INTERFACE PACS AND HIFI INTERFACE		A1 5264 300sht7
SHEET 7 OF 7		