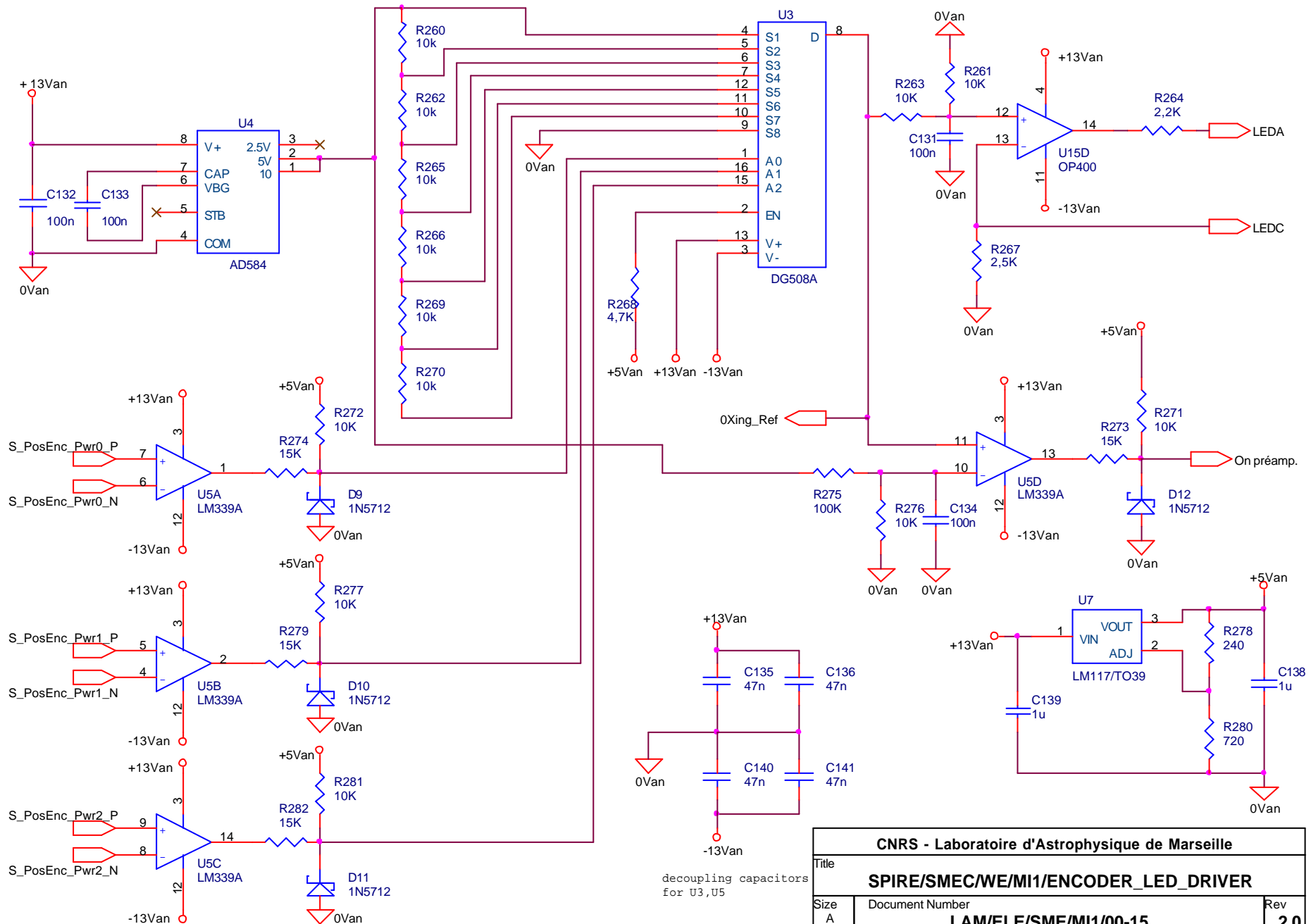
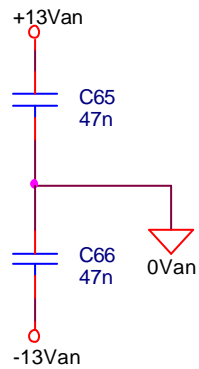
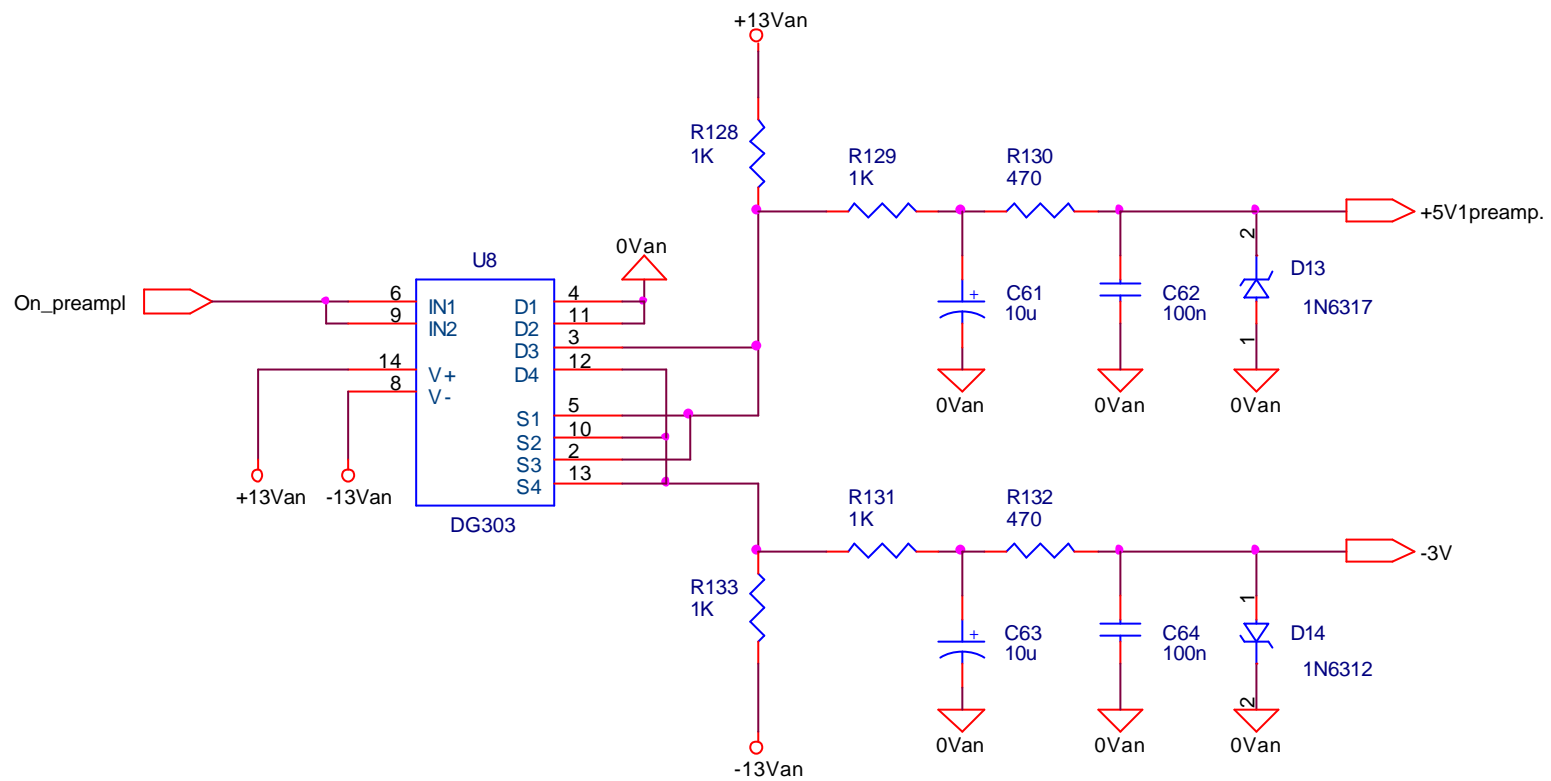


CNRS - Laboratoire d'Astrophysique de Marseille		
Title		
SPIRE/SMEC/WE/MI1/BACK_EMF_MEASURE		
Size	Document Number	Rev
A	LAM/ELE/SME/MI1/00-15	2.0
Date: 25/09/2001	Sheet 2 of 11	



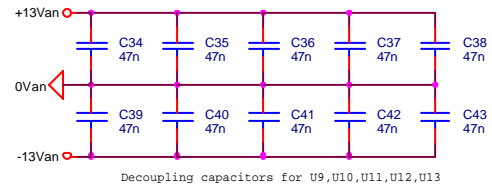
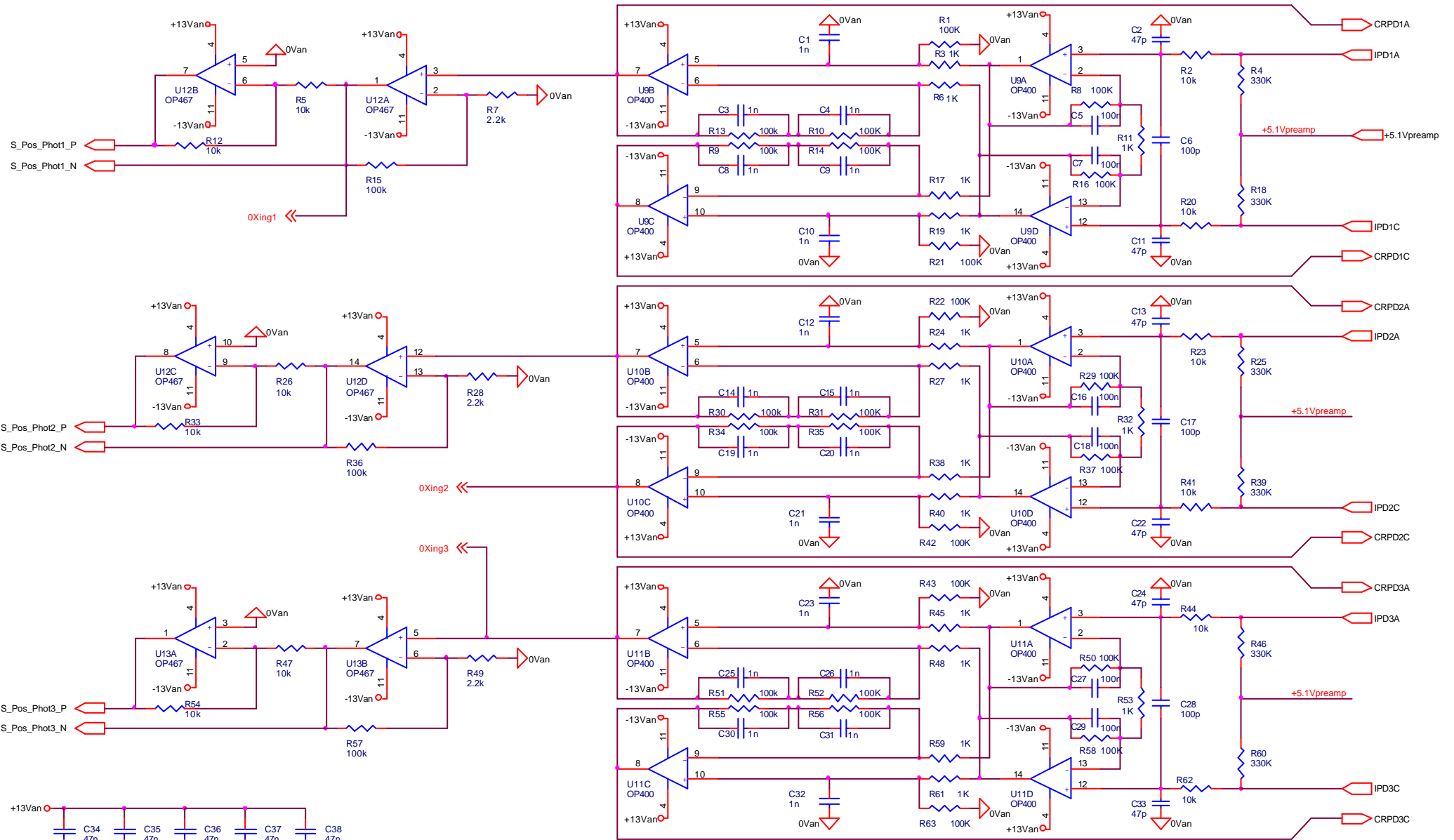
decoupling capacitors
for U3,U5

CNRS - Laboratoire d'Astrophysique de Marseille		
Title		
SPIRE/SMEC/WE/MI1/ENCODER_LED_DRIVER		
Size	Document Number	Rev
A	LAM/ELE/SME/MI1/00-15	2.0
Date: 25/09/2001	Sheet 3 of 11	

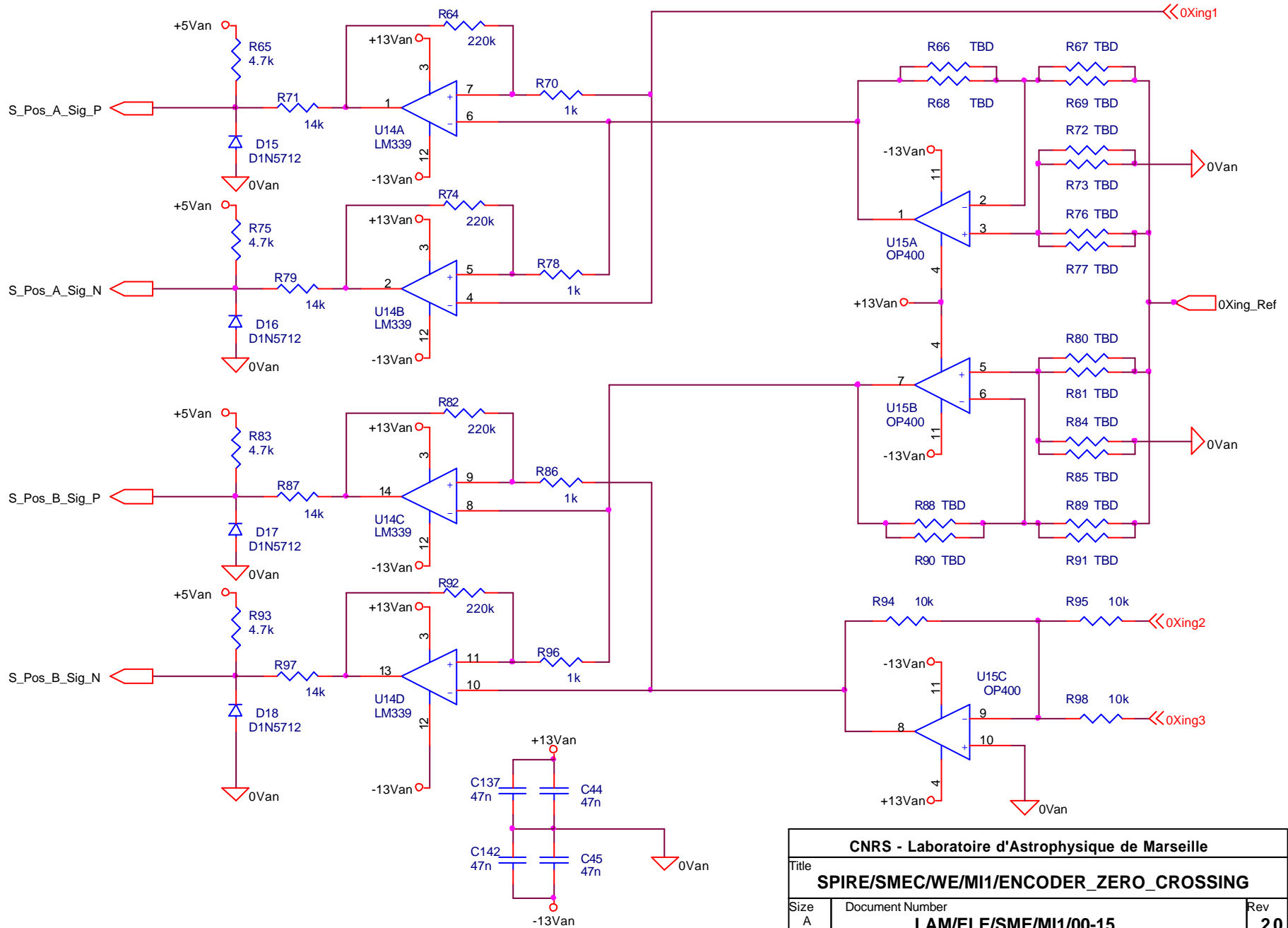


Decoupling capacitors for U8

CNRS - Laboratoire d'Astrophysique de Marseille		
Title		
SPIRE/SMEC/WE/MI1/ENCODER_PREAMP_BIAS		
Size	Document Number	Rev
A	LAM/ELE/SME/MI1/00-15	2.0
Date:	25/09/2001	Sheet 4 of 11

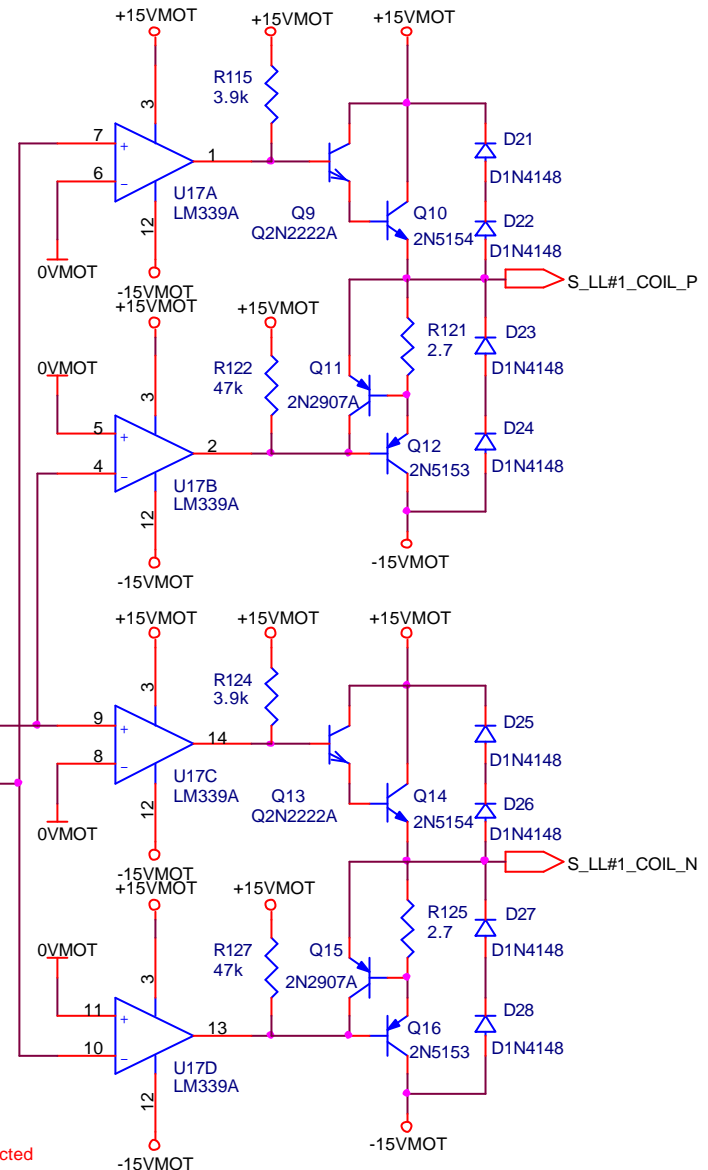
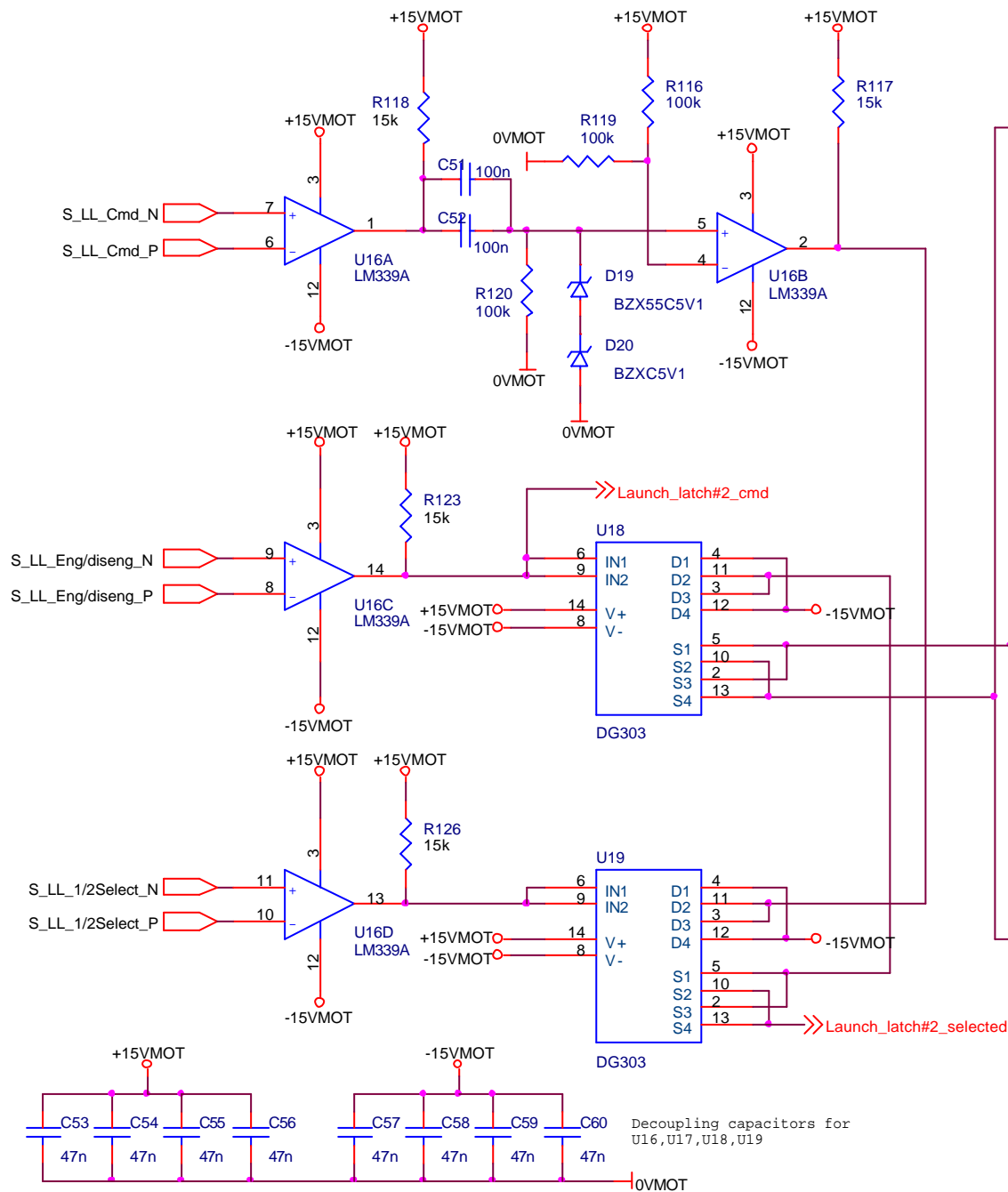


CNRS - Laboratoire d'Astrophysique de Marseille		
Title SPIRE/SMC/WE/MI1/ENCODER_SIGNAL_AMPLIFIER		
Size B	Document Number LAM/ELE/SME/MI1/00-15	Rev 2.0
Date: 25/09/2001	Sheet 5 of 11	

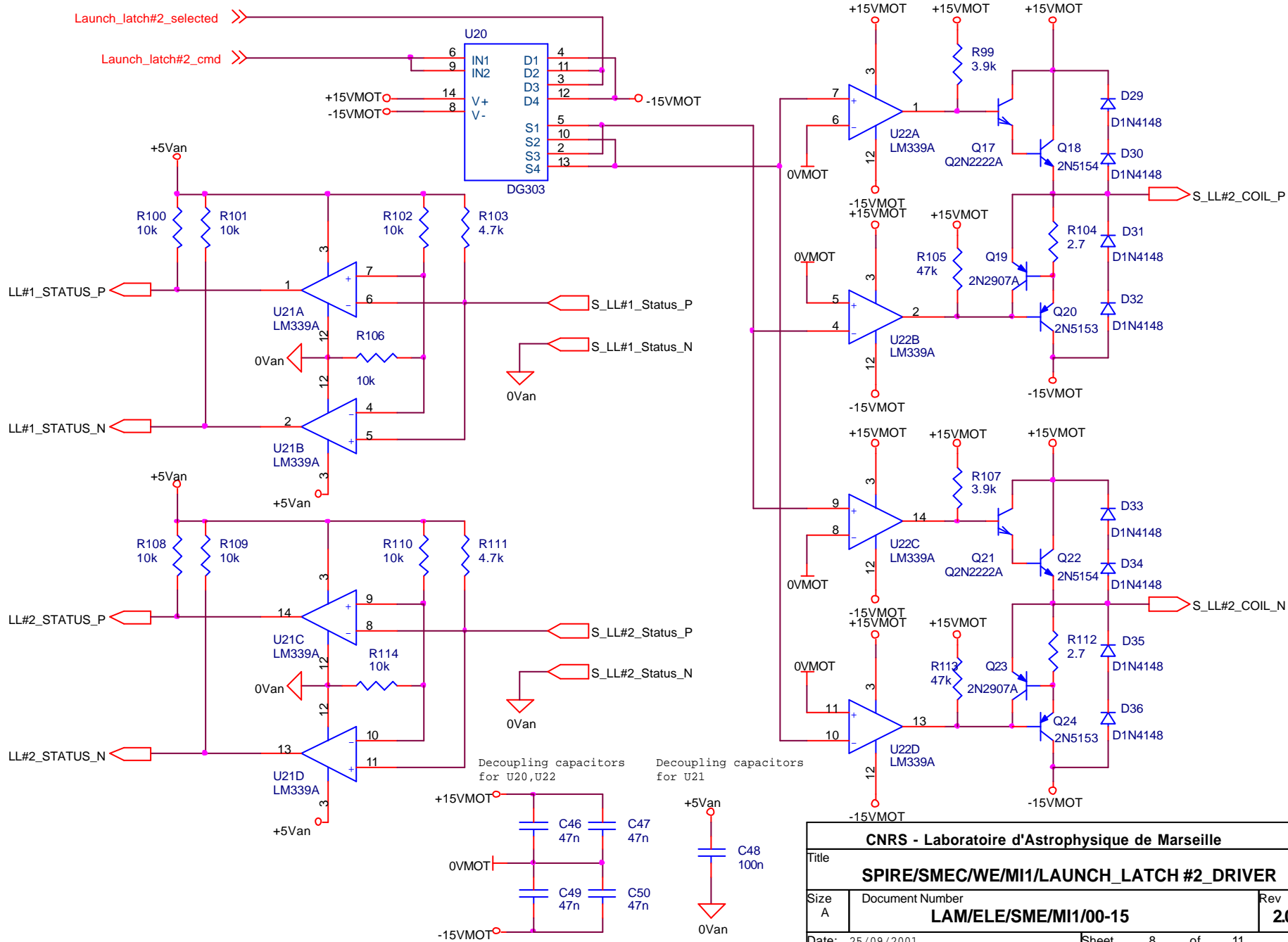


Decoupling capacitors for U14,U15

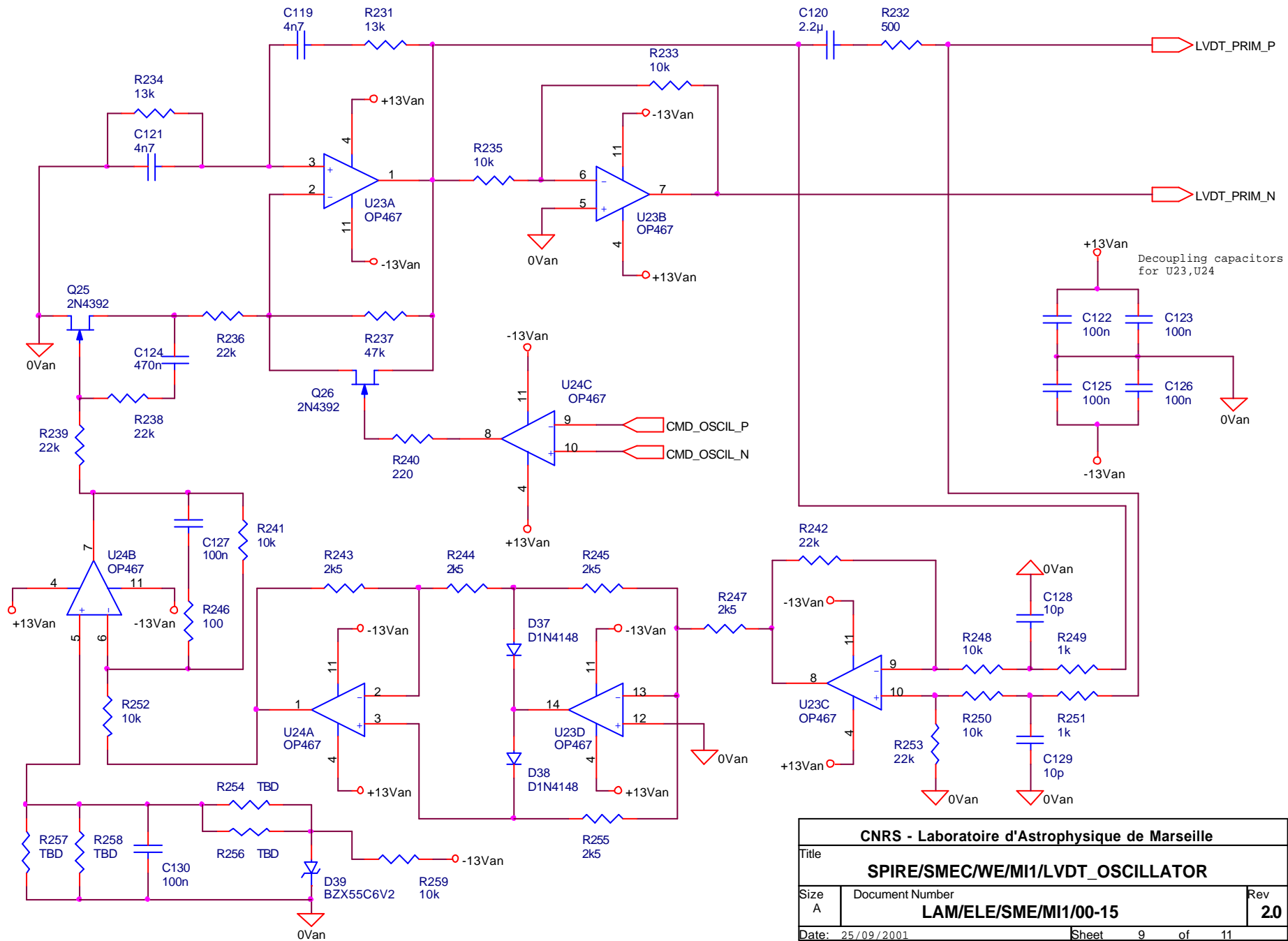
CNRS - Laboratoire d'Astrophysique de Marseille		
Title SPIRE/SMC/WE/MI1/ENCODER_ZERO_CROSSING		
Size A	Document Number LAM/ELE/SME/MI1/00-15	Rev 2.0
Date: 25/09/2001	Sheet 6	of 11



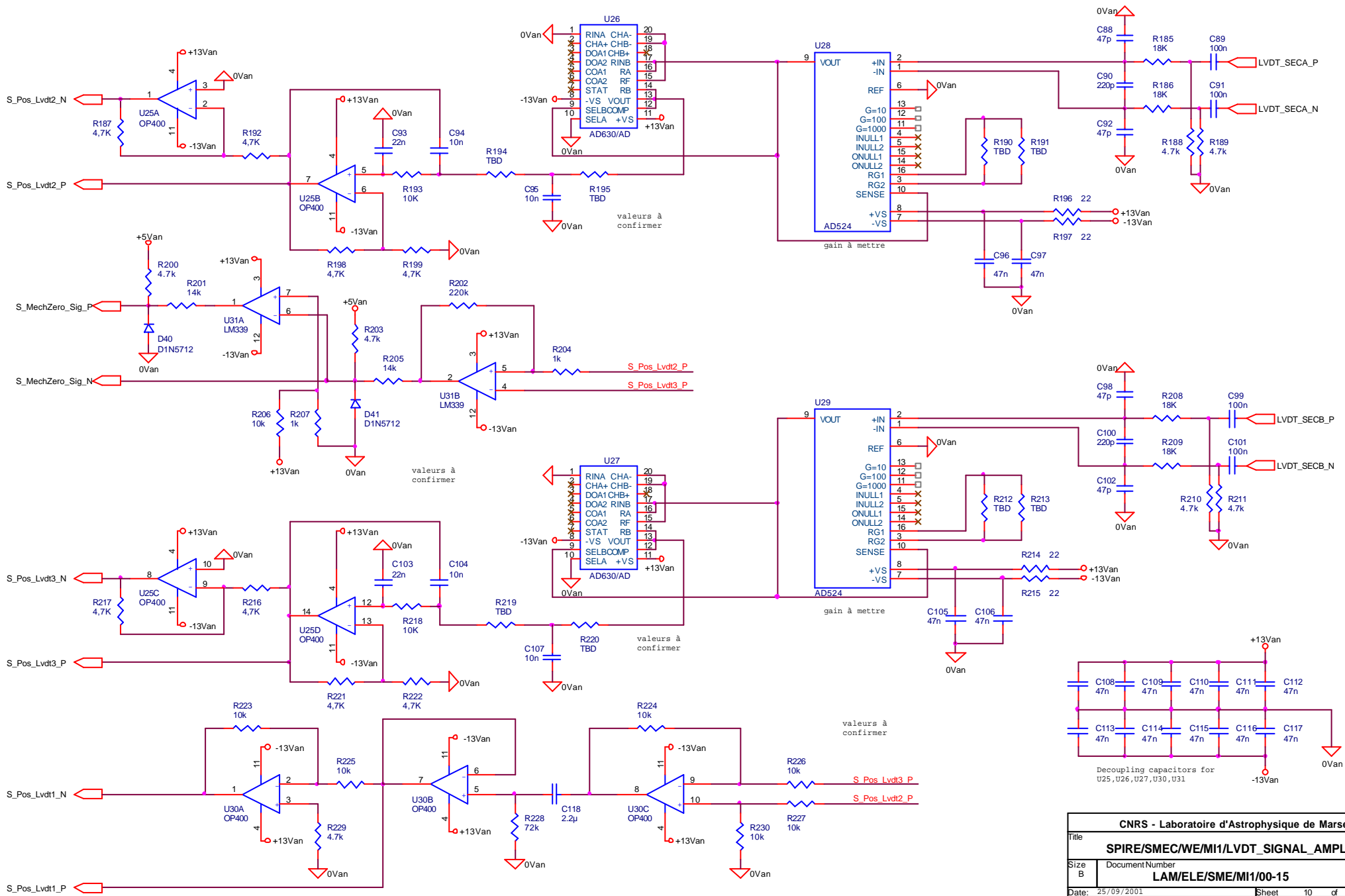
CNRS - Laboratoire d'Astrophysique de Marseille		
Title		
SPIRE/SMEC/WE/M11/LAUNCH_LATCH #1_DRIVER		
Size	Document Number	Rev
A	LAM/ELE/SME/M11/00-15	2.0
Date: 25/09/2001	Sheet 7 of 11	



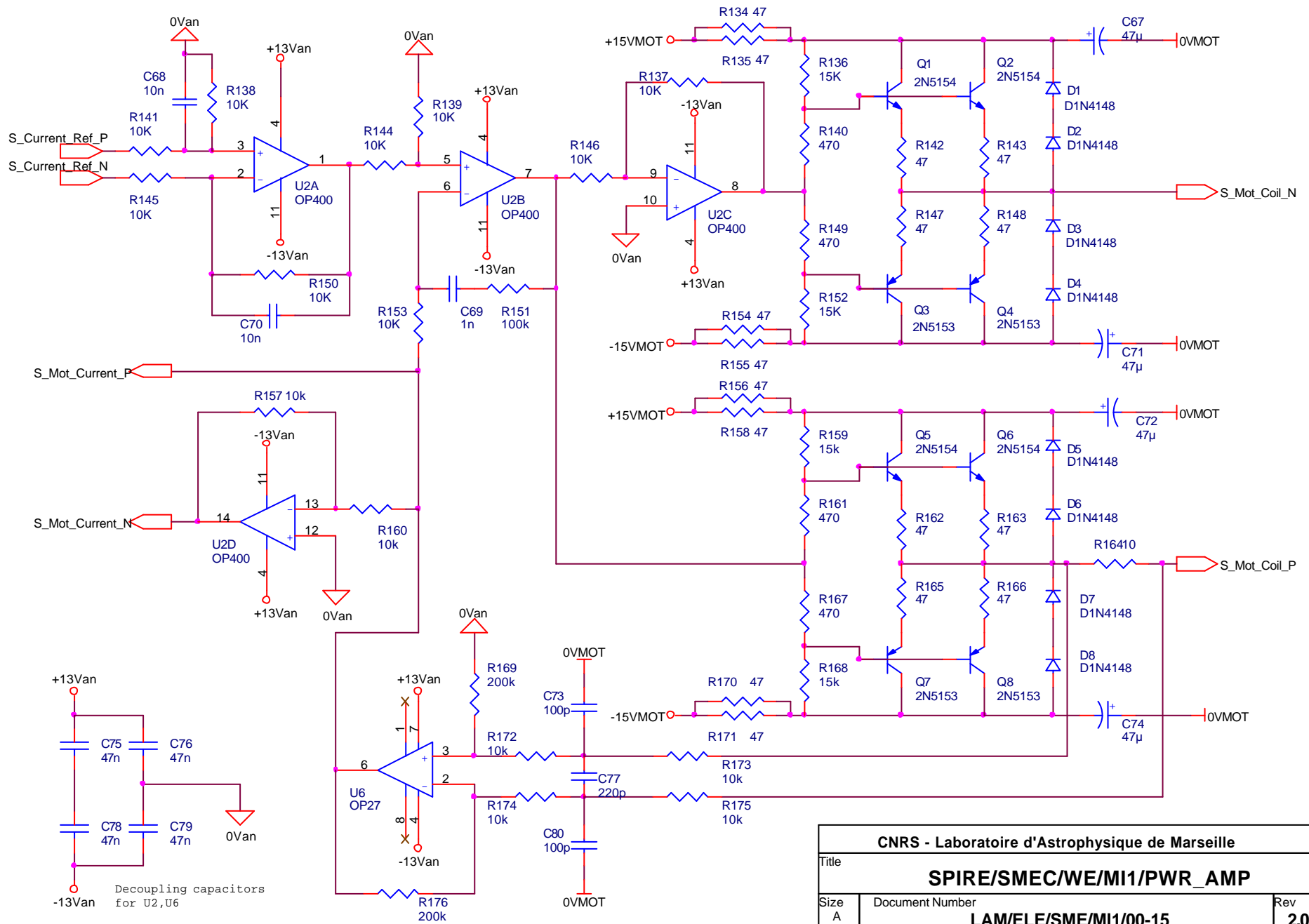
CNRS - Laboratoire d'Astrophysique de Marseille		
Title		
SPIRE/SMEC/WE/MI1/LAUNCH_LATCH #2_DRIVER		
Size A	Document Number LAM/ELE/SME/MI1/00-15	Rev 2.0
Date: 25/09/2001	Sheet 8	of 11



CNRS - Laboratoire d'Astrophysique de Marseille		
Title		
SPIRE/SMEC/WE/MI1/LVDT_OSCILLATOR		
Size	Document Number	Rev
A	LAM/ELE/SME/MI1/00-15	2.0
Date: 25/09/2001	Sheet	9 of 11



CNRS - Laboratoire d'Astrophysique de Marseille		
Title SPIRE/SMC/WE/M11/LVDT_SIGNAL_AMPLIFIER		
Size B	Document Number LAMELE/SME/M11/00-15	Rev 2.0
Date: 25/09/2001	Sheet 10 of 11	



CNRS - Laboratoire d'Astrophysique de Marseille		
SPIRE/SMEC/WE/MI1/PWR_AMP		
Size A	Document Number LAM/ELE/SME/MI1/00-15	Rev 2.0
Date: 25/09/2001	Sheet 11	of 11