

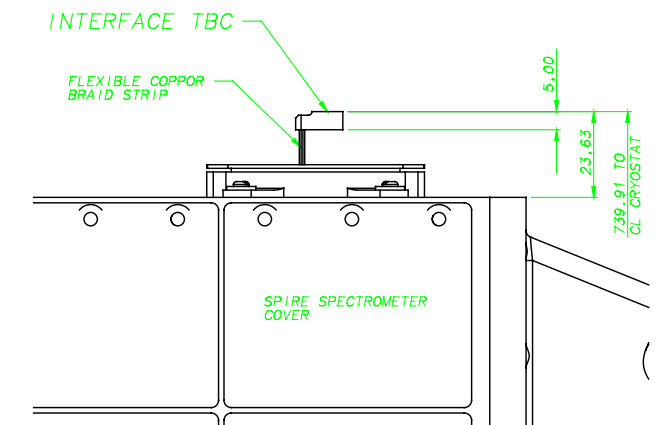
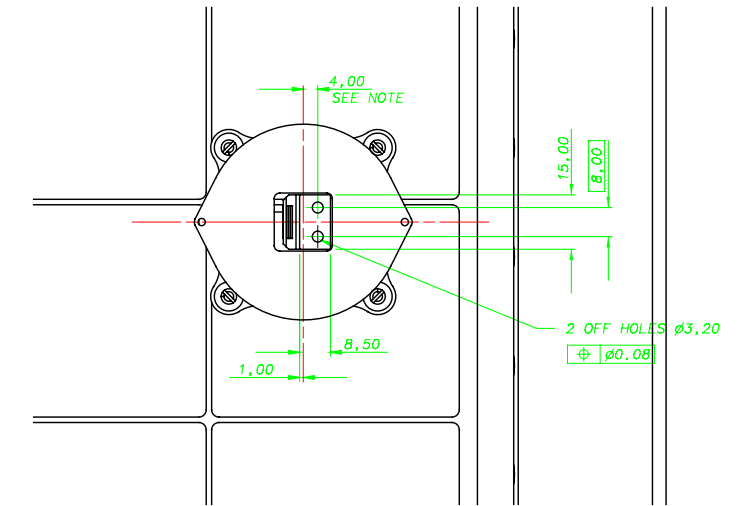
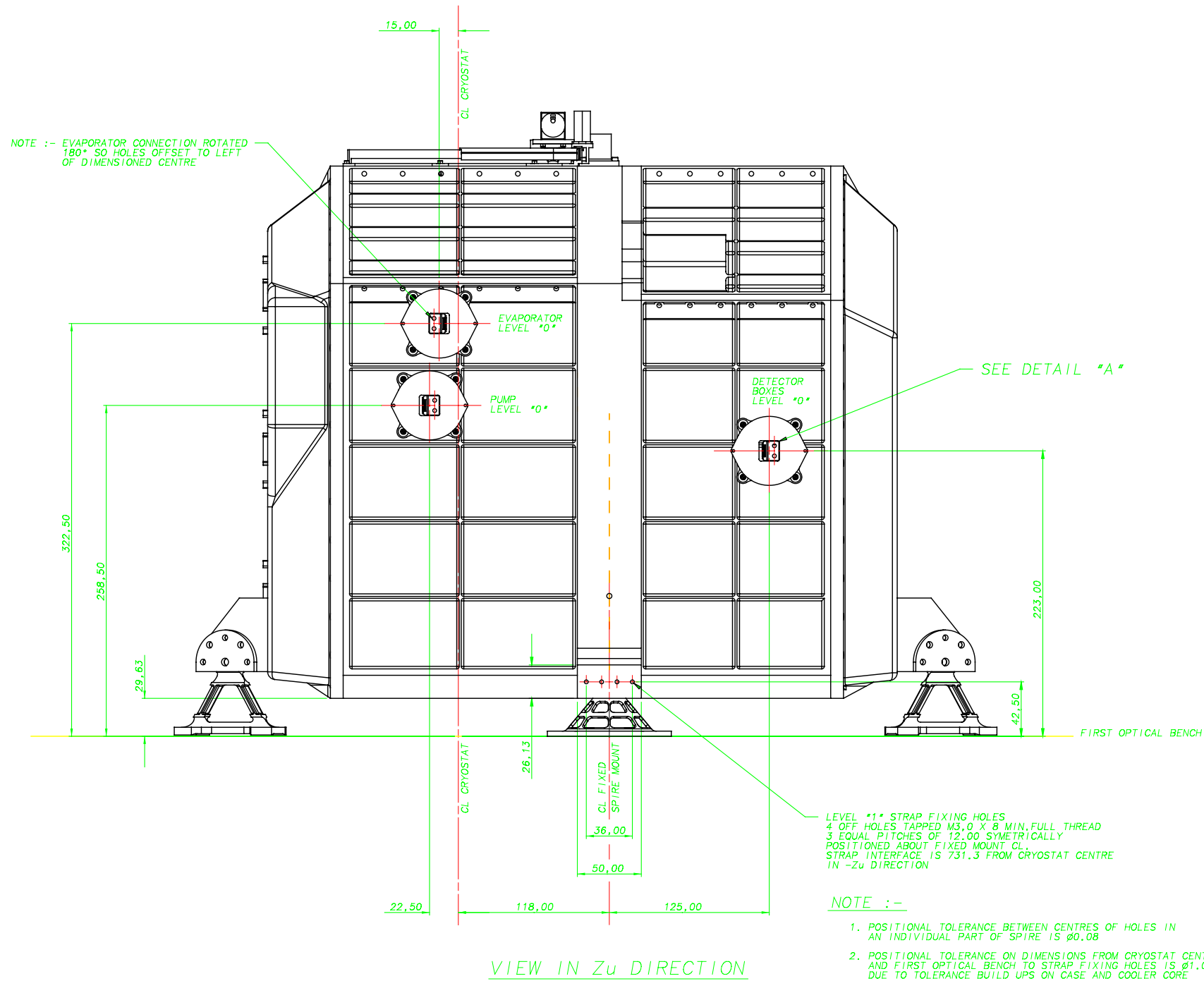
DRAWING No.

A1 5264 300sht5

THIRD ANGLE PROJECTION

DO NOT SCALE

USED ON
HERSCHEL



NOTE:-
DIMENSIONS OF ALL LEVEL *0* CONNECTIONS ARE THE SAME BUT EVAPORATOR CONNECTION IS ROTATED 180° ABOUT CL.

NOTE:-
ALL DIMENSIONS AT ROOM TEMPERATURE

CHECKED	ISSUE	DATE	AMENDMENT	SPIRE Flight Assemblies
	11	30/7/01	RE-DRAWN, 2X CABLE HARNESS HOLES REMOVED (SHT 6) SENSOR CONNECTORS ADDED TO PHOT COVER 3 POS	
TRACED	10	28/6/01	DRAWING SHEETS 3, 4 & 5 ADDED, DIMENSIONS SHOWN ON OTHER SHEETS REMOVED FROM THIS SHEET	
PBG	9	21/6/01	REDRAWN TO SHOW UPDATED DESIGN OF INSTRUMENT	
DRAWN	1	24/11/01		COMPUTER FILE

PROTECTIVE FINISH
AS LISTED

MATERIAL & SPEC.
AS LISTED

TOLERANCES UNLESS OTHERWISE STATED -
LINEAR ± 0.10
ANGULAR $\pm 0^{\circ}15'$

ESTD WT. 50kg(INC.CONT.)
ACTL WT.

DIMENSIONS IN mm

SCALE 1:2 & 1:1

DEPARTMENT OF SPACE AND CLIMATE PHYSICS
UNIVERSITY COLLEGE LONDON
MULLARD SPACE SCIENCE LABORATORY, HOLMBURY ST. MARY,
DORKING, SURREY.

TITLE
SPIRE INTERFACE
(THERMAL STRAP CONNECTIONS)

DRAWING No

A1 5264 300sht5

SHEET 5 OF 6