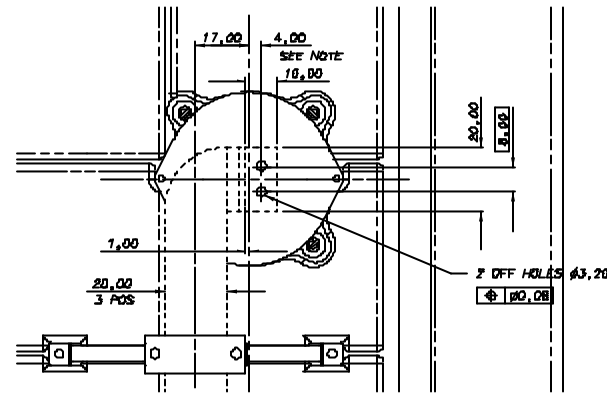


DRAWING No.
A1 5264 300sht5

THIRD ANGLE PROJECTION

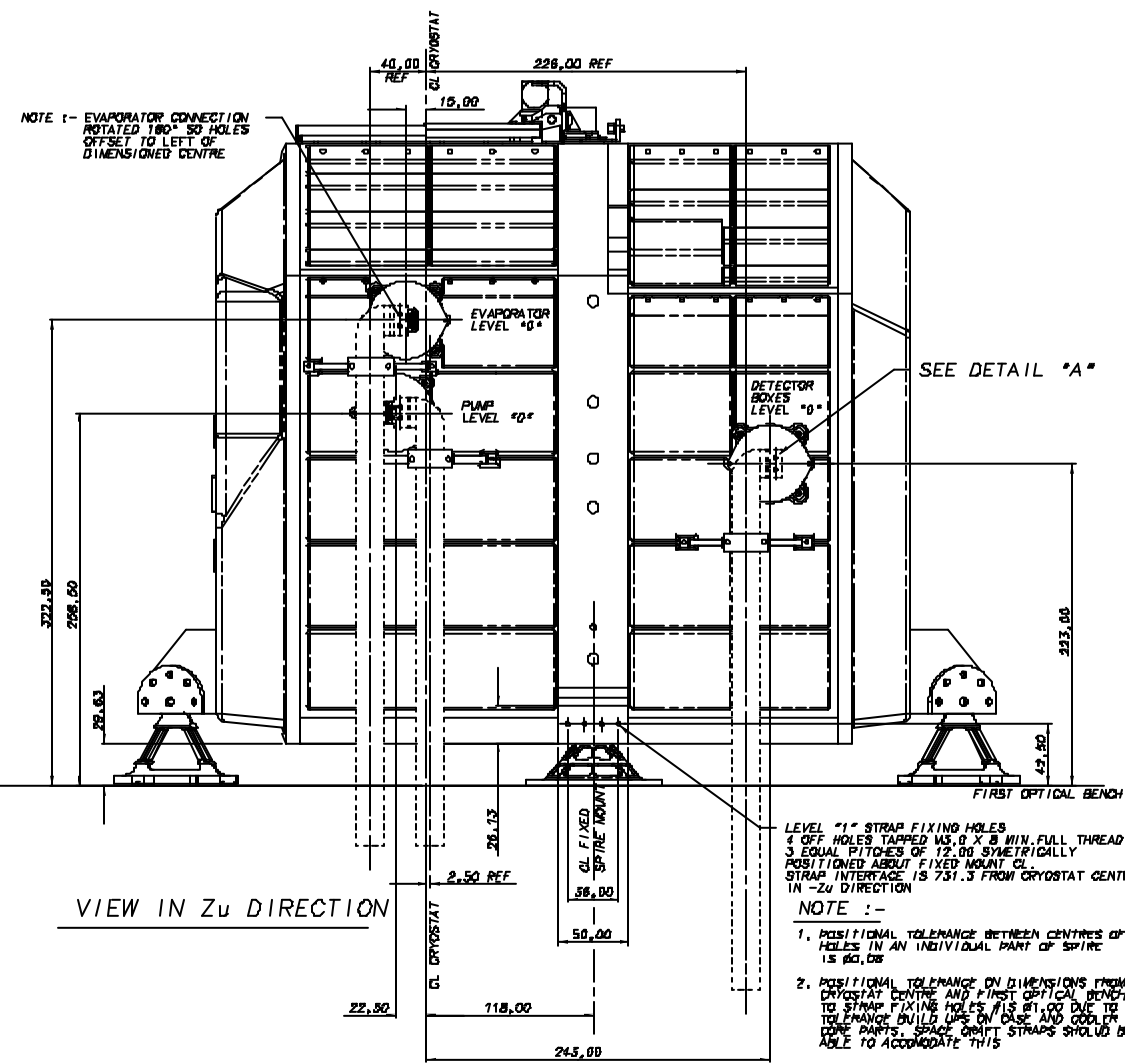
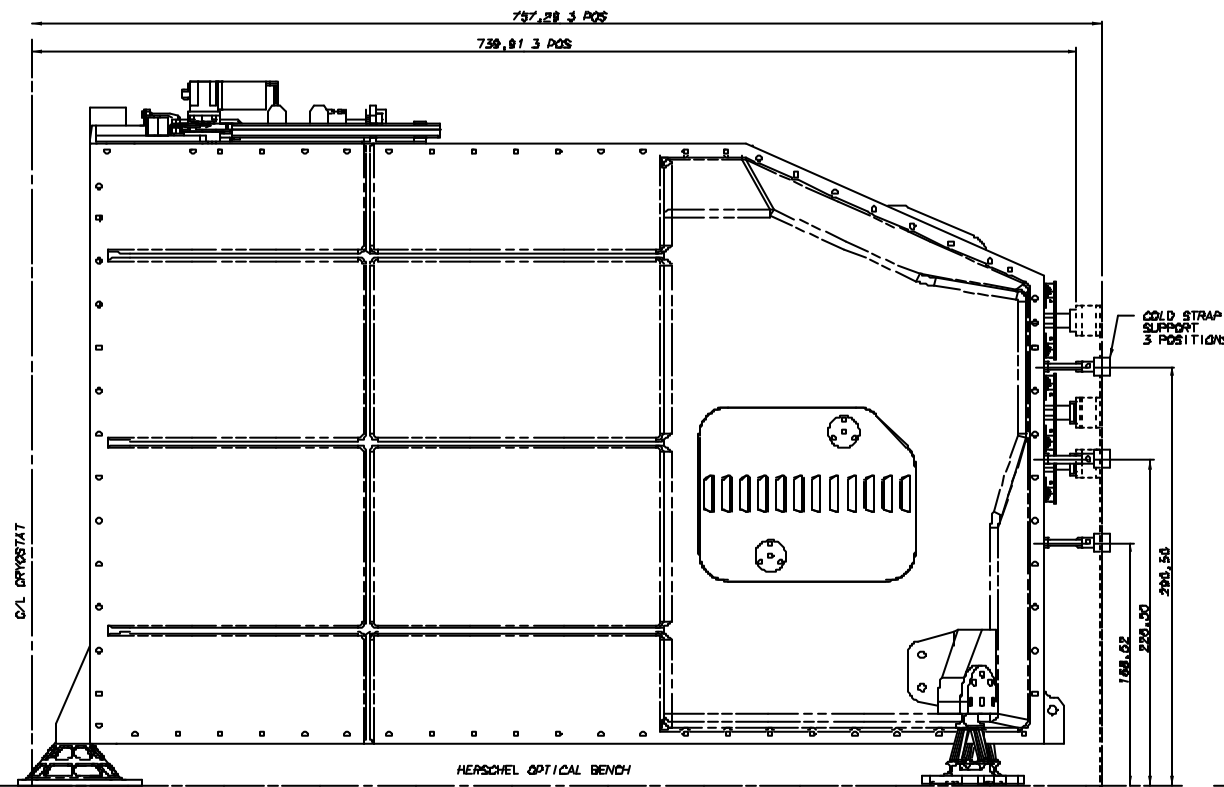
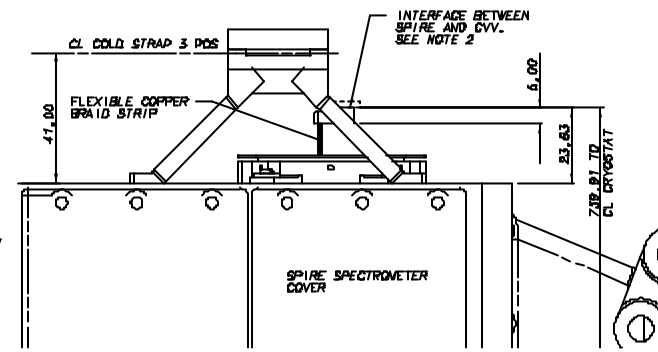
DO NOT SCALE

USED ON
HERSCHEL



DETAIL "A"

- NOTE:-
1. DIMENSIONS OF ALL LEVEL TO-TO CONNECTIONS ARE THE SAME BUT EVAPORATOR CONNECTION IS ROTATED 180° ABOUT CL.
 2. THERMAL STRAP INTERFACE FOR SPIRE STRIPS AT CONNECTION WITH CVV STRAP AND SUPPORT.
 3. ELECTRICAL INSULATION REQUIRED ON CVV STRIP, REF 110-9



CVV THERMAL STRAP 3 POSITIONS EXTERNAL TO MSSL SPIRE DELIVERABLE

- LEVEL "1" STRAP FIXING HOLES 4 OFF HOLES TAPPED M3.0 X 8 MIN. FULL THREAD 3 EQUAL PITCHES OF 12.00 SYMMETRICALLY POSITIONED ABOUT FIXED MOUNT CL. STRAP INTERFACE IS 731.3 FROM CRYOSTAT CENTRE IN -Z_u DIRECTION
- NOTE :-
1. POSITIONAL TOLERANCE BETWEEN CENTRES OF HOLES IN AN INDIVIDUAL PART OF SPIRE IS 0.05
 2. POSITIONAL TOLERANCE ON DIMENSIONS FROM CRYOSTAT CENTRE AND FIRST OPTICAL BENCH TO STRAP FIXING HOLES IS 01.00 DUE TO TOLERANCE BUILD UPS ON CASE AND COOLING TONG PARTS. SPACE SPLIT STRAPS SHOULD BE ABLE TO ACCOMMODATE THIS

CHECKED	13	19/11/01	UPDATED RFI FILTER & PUMP CONNECTORS ADDED, FRON PLATE & H+ FRAME MOUNT DIM ADDED. SHEET 7 ADDED.	
	12	4/9/01	AUGUST ISSUE SHUTTER MECHANISM ADDED, COLD STRAPS AND MOUNTINGS ADDED. LINE WEIGHTS MODIFIED	
TRACED PBG	11	30/7/01	RE-DRAWN. 2X DOUBLE HARNESS HOLES REMOVED (SHT 8) SENSOR CONNECTIONS ADDED TO PART 0012-3 P&E	
	10	28/6/01	DRAWING SHEETS 3, 4 & 9 ADDED. DIMENSIONS SHOWN ON OTHER SHEETS REMOVED FROM THIS SHEET	
DRAWN AJC	ISSUE	DATE	AMENDMENT	SPIRE Flight 2000/01 Rev
	1	24/11/01		COMPUTER FILE

NOTE:-
ALL DIMENSIONS AT ROOM TEMPERATURE

PROTECTIVE FINISH AS LISTED	MATERIAL & SPEC. AS LISTED	TOLERANCES UNLESS OTHERWISE STATED - LINEAR +/- 0.10 ANGULAR +/- 0°15'
ESTD MT. 004g(INC. CONT.)	DIMENSIONS IN mm	SCALE 1:2 & 1:1

DEPARTMENT OF SPACE AND CLIMATE PHYSICS
UNIVERSITY COLLEGE LONDON
MULLARD SPACE SCIENCE LABORATORY, HOLMBURY ST. MARY,
DORKING, SURREY.

TITLE
SPIRE INTERFACE
(THERMAL STRAP CONNECTIONS) A1 5264 300sht5

DRAWING No

SHEET 5 OF 7