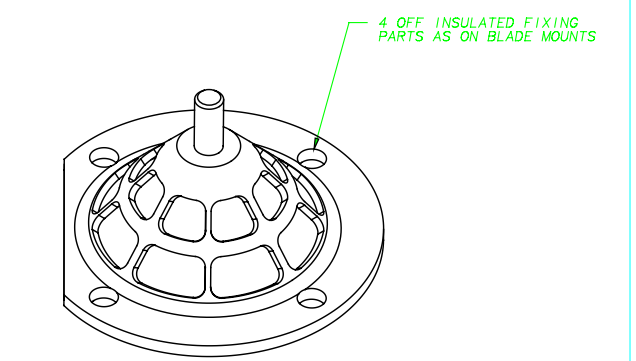


DETAIL OF BLADE MOUNT FIXINGS
SCALE 1 : 1



DETAIL OF FIXED MOUNTING
SCALE 1 : 1

NOTE :-
1. ALL DIMENSIONS AT ROOM TEMPERATURE

CHECKED			
	11	30/7/01	RE-DRAWN, 2X CABLE HARNESS HOLES REMOVED (SHT 6) SENSOR CONNECTORS ADDED TO PHOT COVER 3 POS
TRACED	10	28/6/01	DRAWING SHEETS 3, 4 & 5 ADDED, DIMENSIONS SHOWN ON OTHER SHEETS REMOVED FROM THIS SHEET
PBG	9	21/6/01	REDRAWN TO SHOW UPDATED DESIGN OF INSTRUMENT
DRAWN	ISSUE	DATE	AMENDMENT
AJC	1	24/11/01	
			SPiRE Flight Assemblies COMPUTER FILE

PROTECTIVE FINISH	MATERIAL & SPEC.	TOLERANCES UNLESS OTHERWISE STATED -
AS LISTED	AS LISTED	LINEAR +/- 0.10 ANGULAR +/- 0°15'
ESTD WT. 50kg(INC.CONT.)	DIMENSIONS IN mm	SCALE SCALE 1:2 & 1:1
ACTL WT.		

DEPARTMENT OF SPACE AND CLIMATE PHYSICS UNIVERSITY COLLEGE LONDON MULLARD SPACE SCIENCE LABORATORY, HOLMBURY ST. MARY, DORKING, SURREY.		
TITLE	DRAWING No	
SPiRE INTERFACE (INTERFACE FIXING DETAILS)	A1 5264	300sht4
	SHEET 4 OF 6	