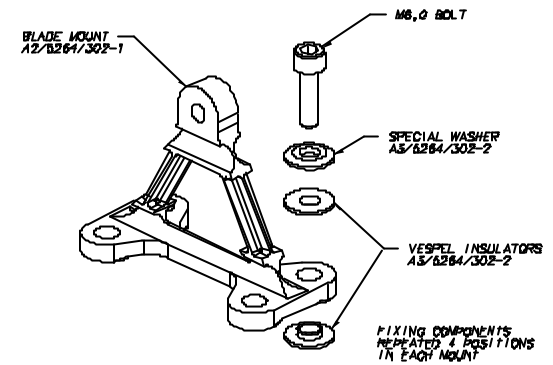
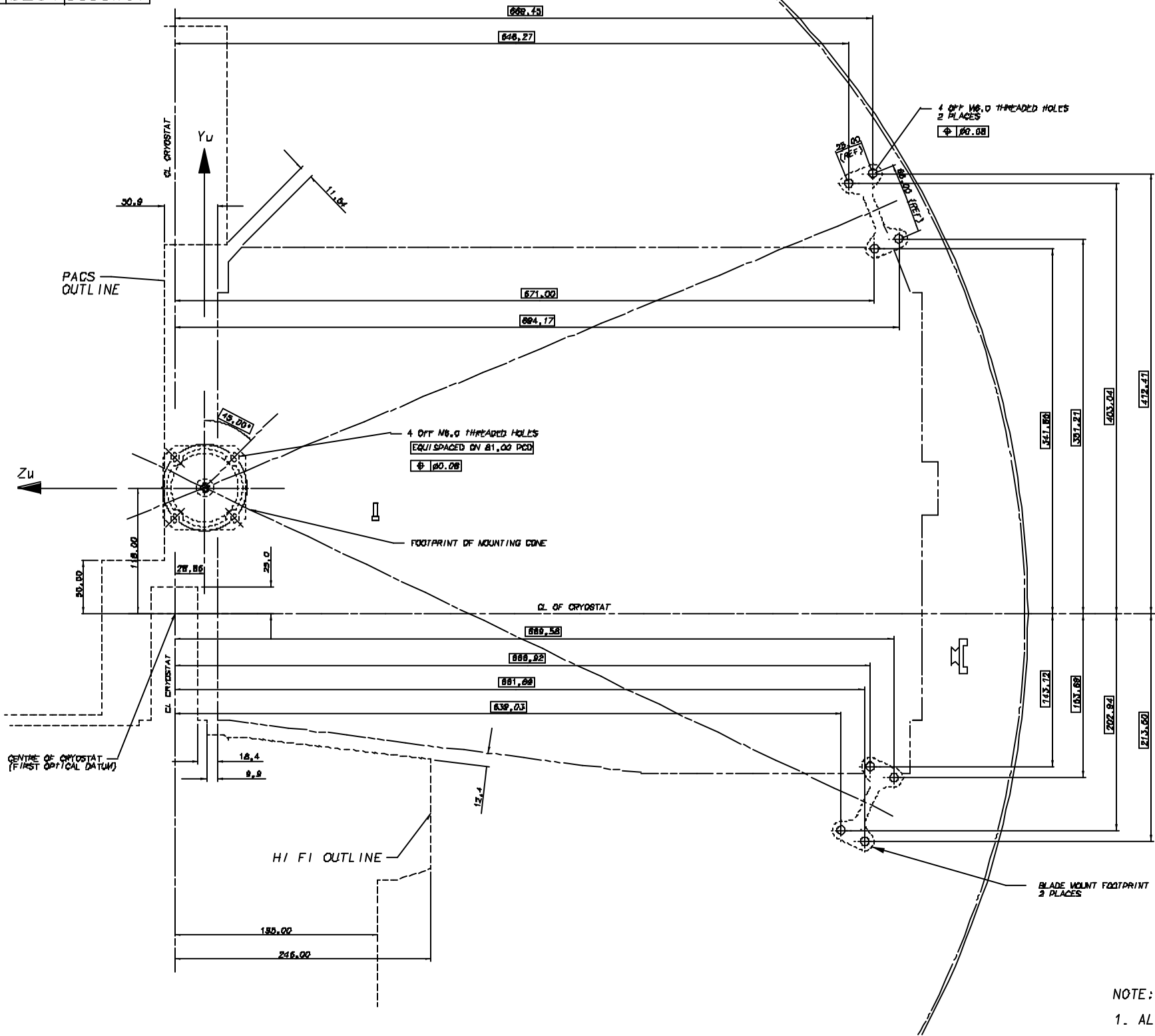


DRAWING No.
A1 5264 300sht4

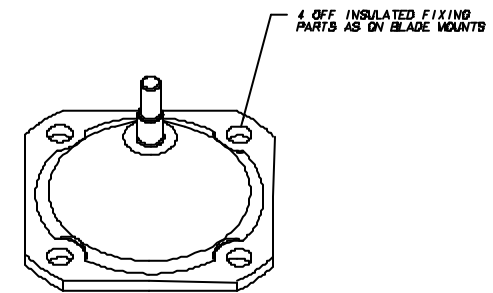
THIRD ANGLE PROJECTION

DO NOT SCALE

USED ON
HERSCHEL



DETAIL OF BLADE MOUNT FIXINGS
SCALE 1 : 1



DETAIL OF FIXED MOUNTING
SCALE 1 : 1

NOTE:-
1. ALL DIMENSIONS AT ROOM TEMPERATURE

CHECKED	15	27/04/01	THERMAL STRAP INTERFACE MODIFIED. LEVEL 1 STRAP FIXING HOLES MOVED.	DPI/MS (Flight Approved)
	14	23/11/01	SENSE OF GRAVITY ADDED TO BIT 1. J-PET DESIGN UPDATED. STAY OUT HOLES REMOVED.	
TRACED PBC	13	19/11/01	UPGRADED WITH FILTERS & PUMP CONNECTIONS ADDED. FINAL PLANES IN M8+ FRAME MOUNT DIM ADDED. SHEET 7 ADDED.	COMPUTER FILE
	12	4/9/01	AUGUST ISSUE BRACKET MECHANISM ADDED. COLD STRAPS AND MOUNTINGS ADDED. LINE WEIGHTS VERIFIED.	
DRANN AJC	ISSUE	DATE	AMENDMENT	
	1	24/11/01		

PROTECTIVE FINISH AS LISTED	MATERIAL & SPEC. AS LISTED	TOLERANCES UNLESS OTHERWISE STATED - LINEAR +/- 1.0 ANGULAR +/- 0°15'
ESTD MT. 60kg(INC.CDVT.)	DIMENSIONS IN mm	SCALE SCALE 1:2 @ 1:1
ACTL WT.		

DEPARTMENT OF SPACE AND CLIMATE PHYSICS
UNIVERSITY COLLEGE LONDON
MULLARD SPACE SCIENCE LABORATORY, HOLMBURY ST. MARY,
DORKING, SURREY.

TITLE
SPIRE INTERFACE
(INTERFACE FIXING DETAILS) A1 5264 300sht4

DRAWING No

SHEET 4 OF 7