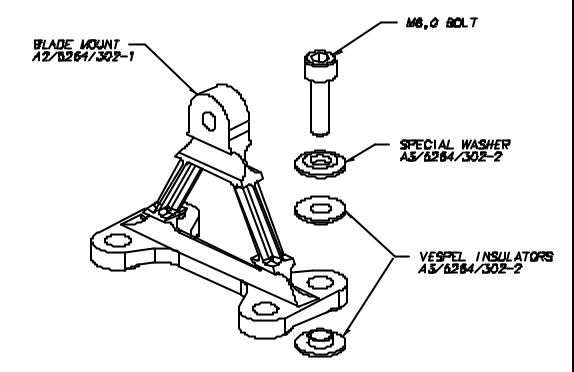
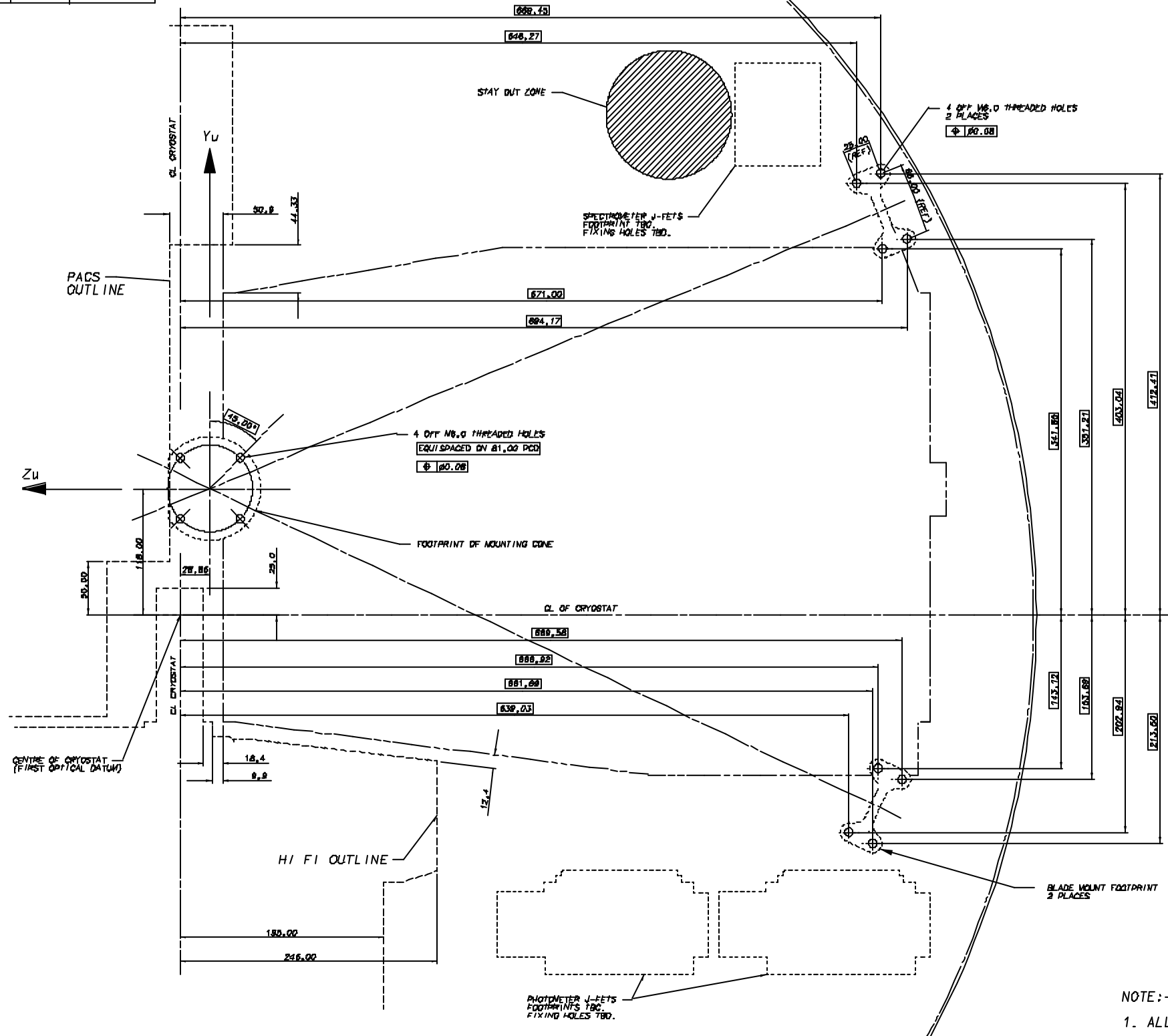


DRAWING No.
A1 5264 300sht4

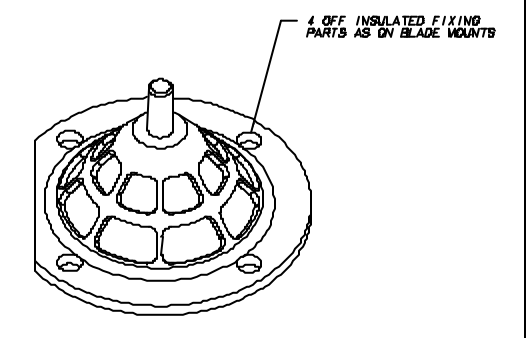
THIRD ANGLE PROJECTION

DO NOT SCALE

USED ON
HERSCHEL



DETAIL OF BLADE MOUNT FIXINGS
SCALE 1 : 1



DETAIL OF FIXED MOUNTING
SCALE 1 : 1

NOTE:-
1. ALL DIMENSIONS AT ROOM TEMPERATURE

CHECKED	13	19/11/01	UPDATED RFI FILTER & PART CONNECTORS ADDED, FINAL PLATE & HI-FI FRAME MOUNT DIM ADDED, SHEET 7 ADDED.	DATE	AMENDMENT	DRAWN BY	FILE
	12	4/9/01	AUGUST ISOLE SHUTTER MECHANISM ADDED, COIL STRAPS AND MOUNTINGS ADDED, LINE WEIGHTS MODIFIED				
TRACED PBG	11	30/7/01	RE-DRAWN: 2X BALE HARNESS HOLES REMOVED (SHT 8) SENSOR CONNECTIONS ADDED TO PART 0002-3 FOR DRAWING SHEETS 3, 4 & 9 ADDED. DIMENSIONS SHOWN ON OTHER SHEETS REMOVED FROM THIS SHEET	DATE	AMENDMENT	DRAWN BY	FILE
	10	28/6/01					
DRAWN AJC	1	24/11/01		DATE	AMENDMENT	DRAWN BY	FILE

PROTECTIVE FINISH AS LISTED	MATERIAL & SPEC. AS LISTED	TOLERANCES UNLESS OTHERWISE STATED - LINEAR +/- 0.10 ANGULAR +/- 0°15'
ESTD MT. 004g(INC. CONT.)	DIMENSIONS IN mm	SCALE SCALE 1:2 @ 1:1
ACTL WT.		

DEPARTMENT OF SPACE AND CLIMATE PHYSICS UNIVERSITY COLLEGE LONDON MULLARD SPACE SCIENCE LABORATORY, HOLMBURY ST. MARY, DORKING, SURREY.	
TITLE	DRAWING No
SPIRE INTERFACE (INTERFACE FIXING DETAILS)	A1 5264 300sht4

SHEET 4 OF 7	
--------------	--