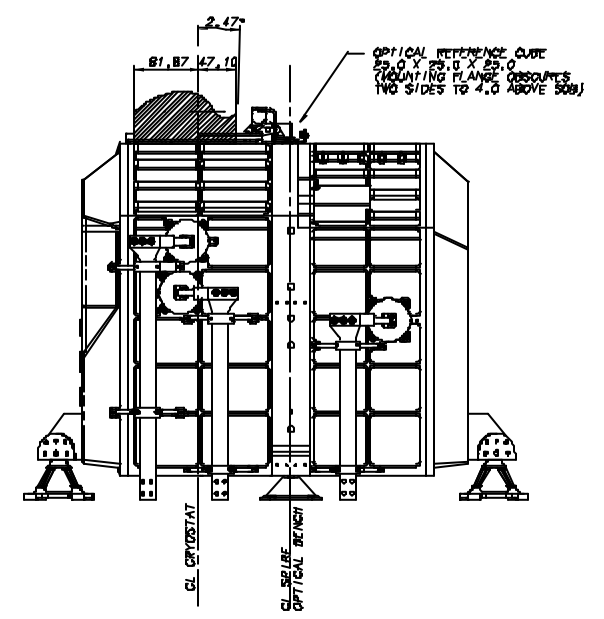
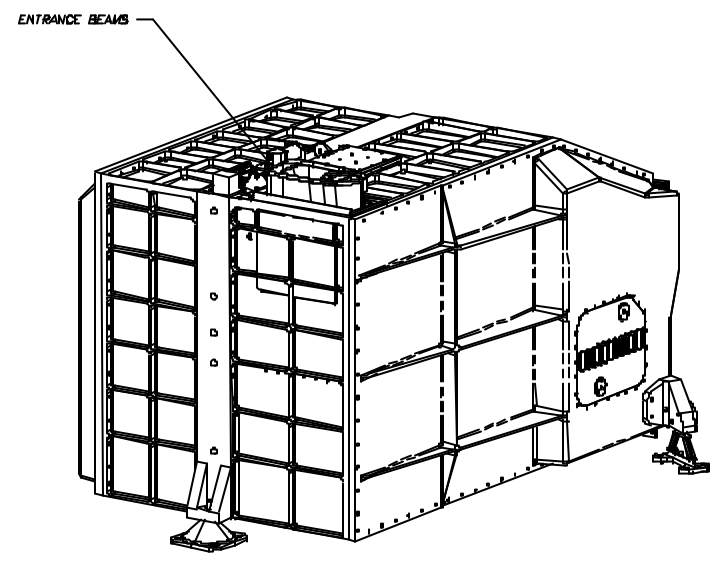
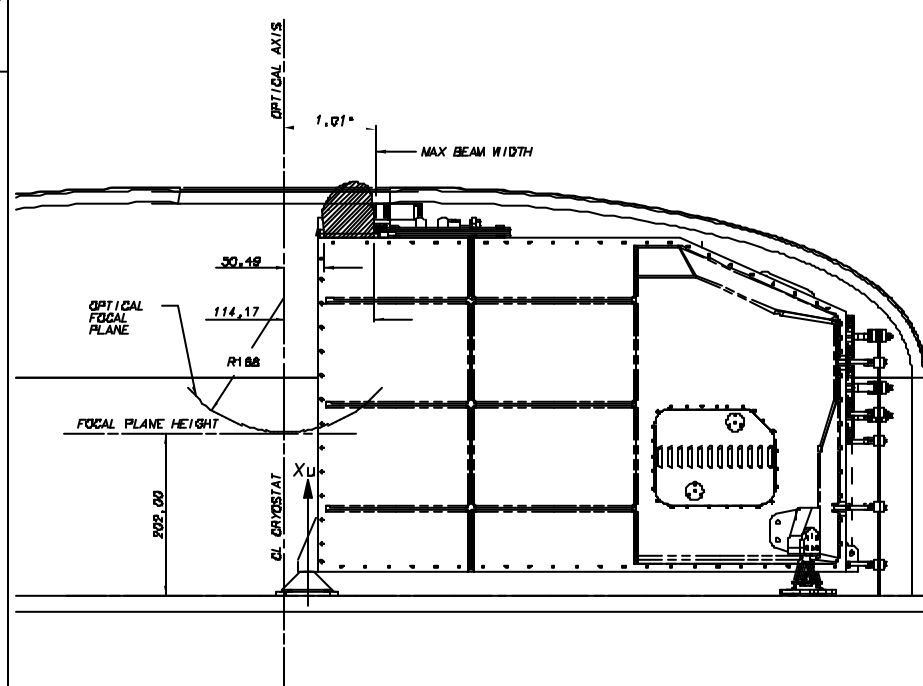
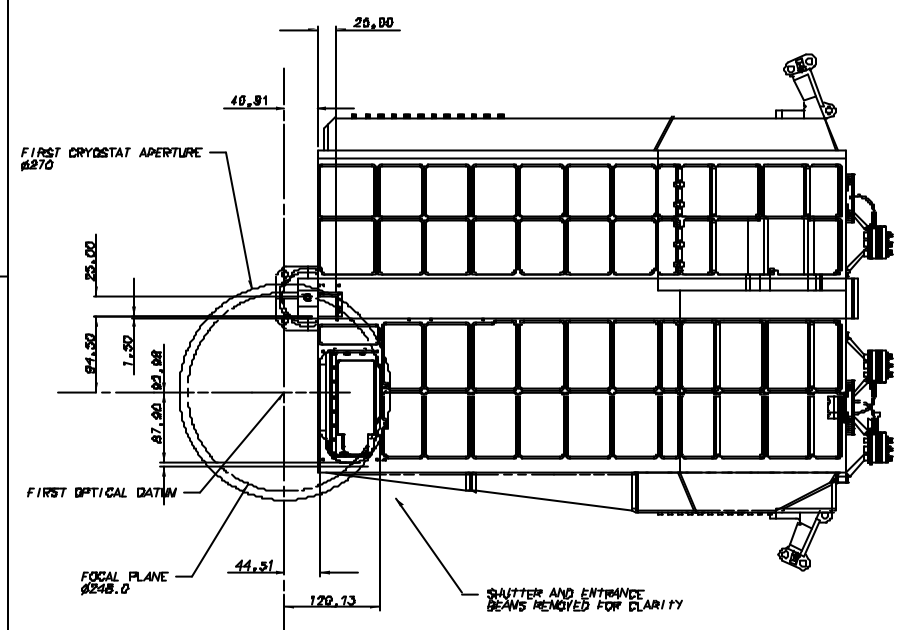


DRAWING No.
A1 5264 300sht3

THIRD ANGLE PROJECTION

DO NOT SCALE

USED ON
HERSCHEL



NOTE :-
1. ALL DIMENSIONS AT ROOM TEMPERATURE

CHECKED	15	27/04/01	THERMAL STRAP INTERFACE MODIFIED. LEVEL 1 STRAP FIXING HOLES MOVED.	D/P/MS P/MS
	14	23/11/01	CENTRE OF GRAVITY ADDED TO BIT 1. J-PET DESIGN UPDATED. STAY OUT HOLES REMOVED	
TRACED PBC	13	19/11/01	LINKED ED W/1 FILTERS & PAPER CONNECTIONS ADDED. FOCAL PLANE & 1/4" FRAME HEIGHT DIM ADDED. SHEET 7 ADDED.	D/P/MS P/MS
	12	4/9/01	AUGUST ISSUE SHUTTER MECHANISM ADDED. COLD STRAPS AND MOUNTINGS ADDED. LINE WEIGHTS VERIFIED	
DRANN	ISSUE	DATE	AMENDMENT	
AJC	1	24/11/01		COMPUTER FILE

PROTECTIVE FINISH AS LISTED	MATERIAL & SPEC. AS LISTED	TOLERANCES UNLESS OTHERWISE STATED - LINEAR +/- 1.0 ANGULAR +/- 0°15'
ESTD WT. 600g(INC. CONT.)	DIMENSIONS IN mm	SCALE 1:1
ACTL WT.		

DEPARTMENT OF SPACE AND CLIMATE PHYSICS UNIVERSITY COLLEGE LONDON MULLARD SPACE SCIENCE LABORATORY, HOLMBURY ST. MARY, DORKING, SURREY.	
TITLE SPIRE INTERFACE (OPTICAL DETAILS)	DRAWING No A1 5264 300sht3

DEPARTMENT OF SPACE AND CLIMATE PHYSICS UNIVERSITY COLLEGE LONDON MULLARD SPACE SCIENCE LABORATORY, HOLMBURY ST. MARY, DORKING, SURREY.	
TITLE SPIRE INTERFACE (OPTICAL DETAILS)	DRAWING No A1 5264 300sht3