

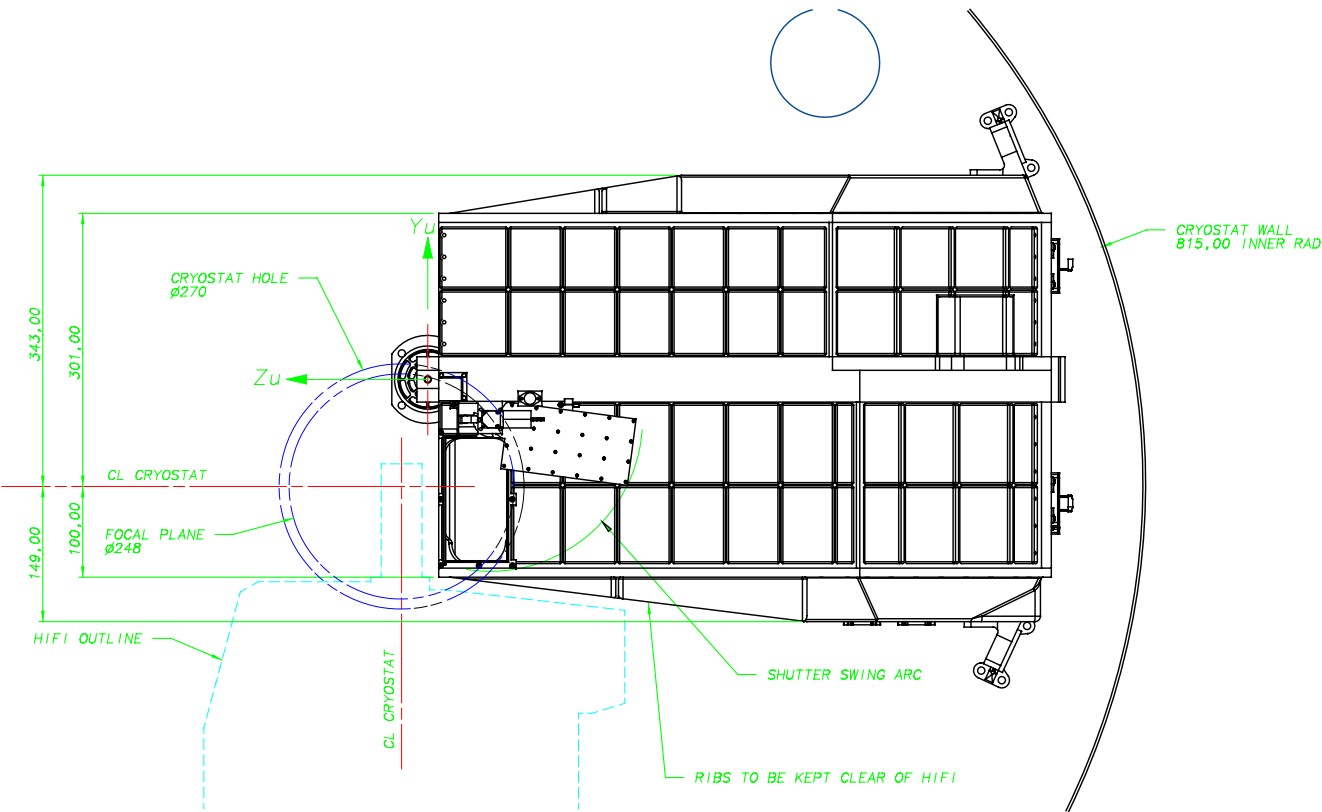
DRAWING No.

A1 5264300sht1

THIRD ANGLE PROJECTION

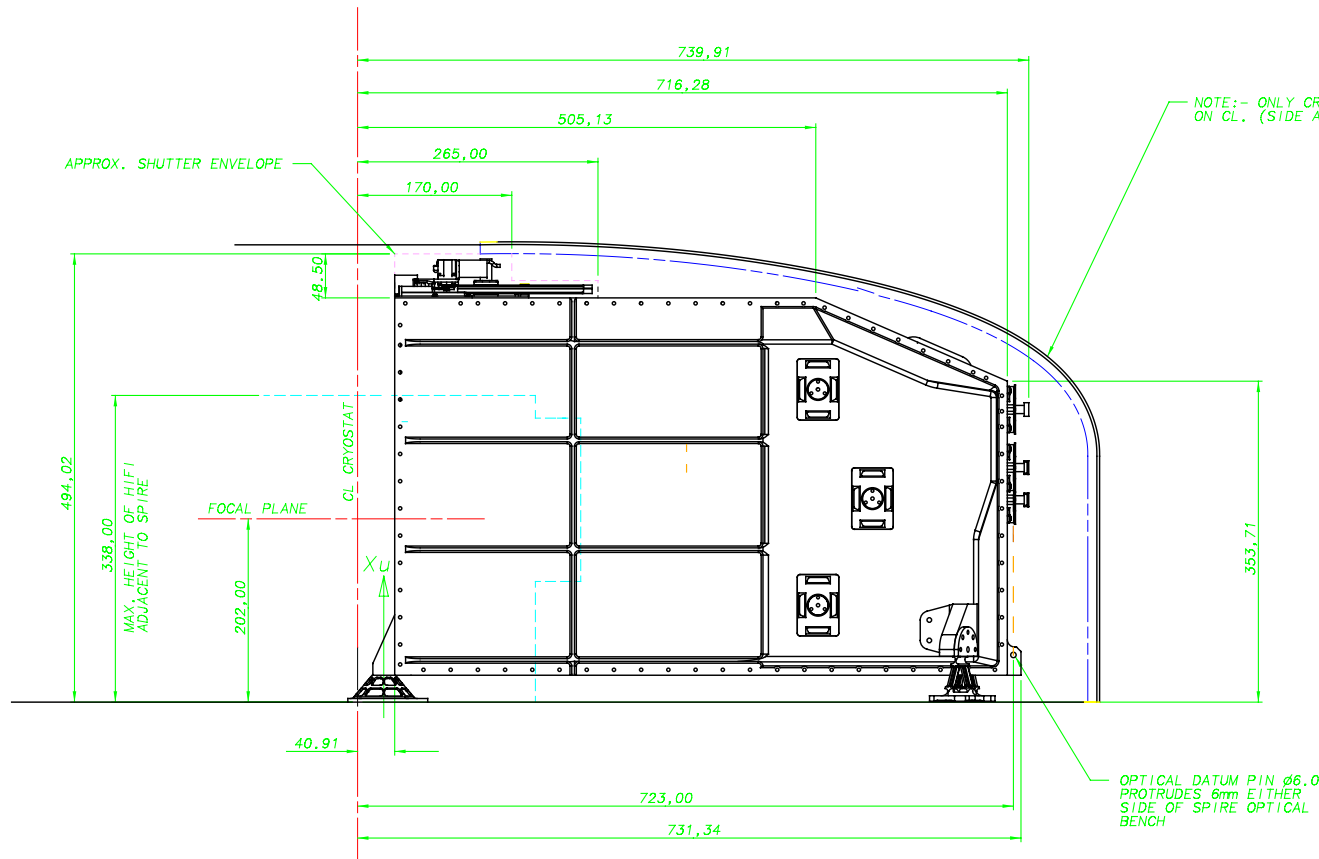
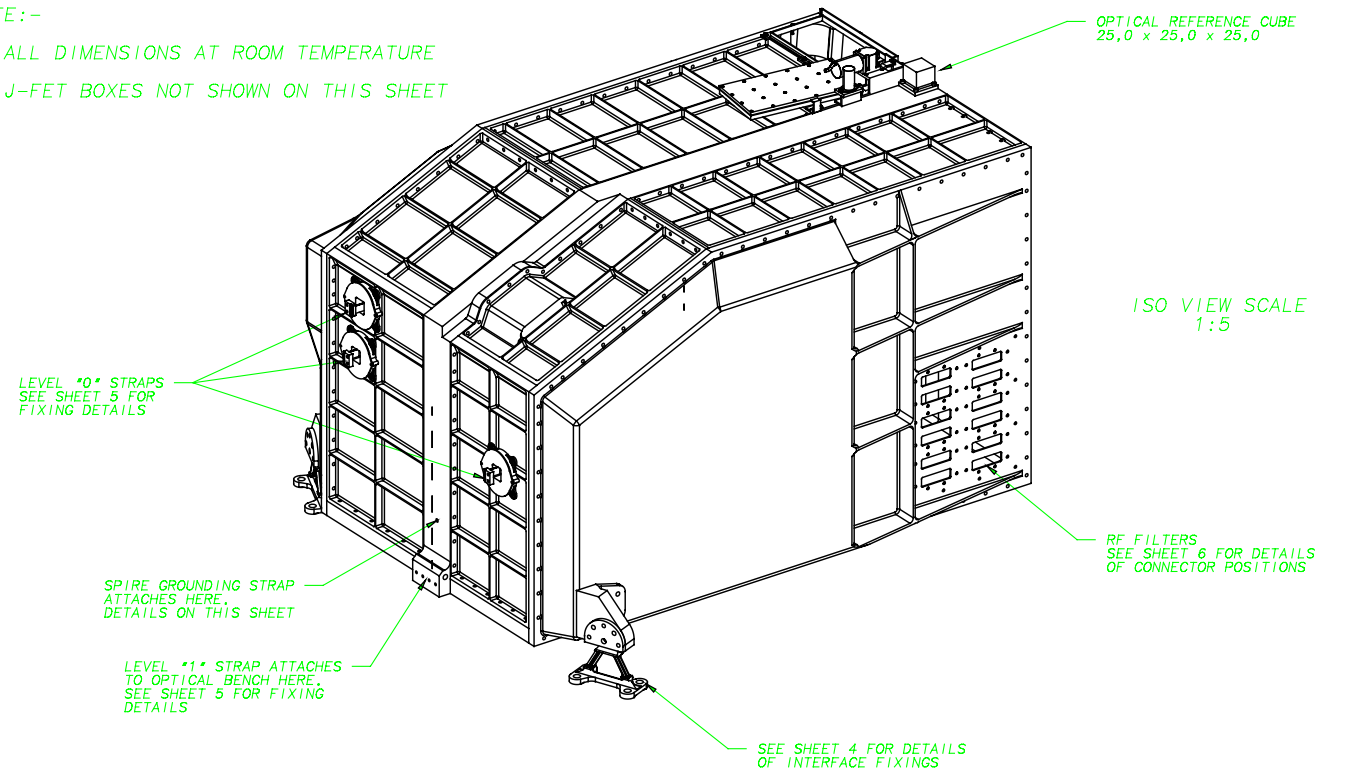
DO NOT SCALE

USED ON
HERSCHEL

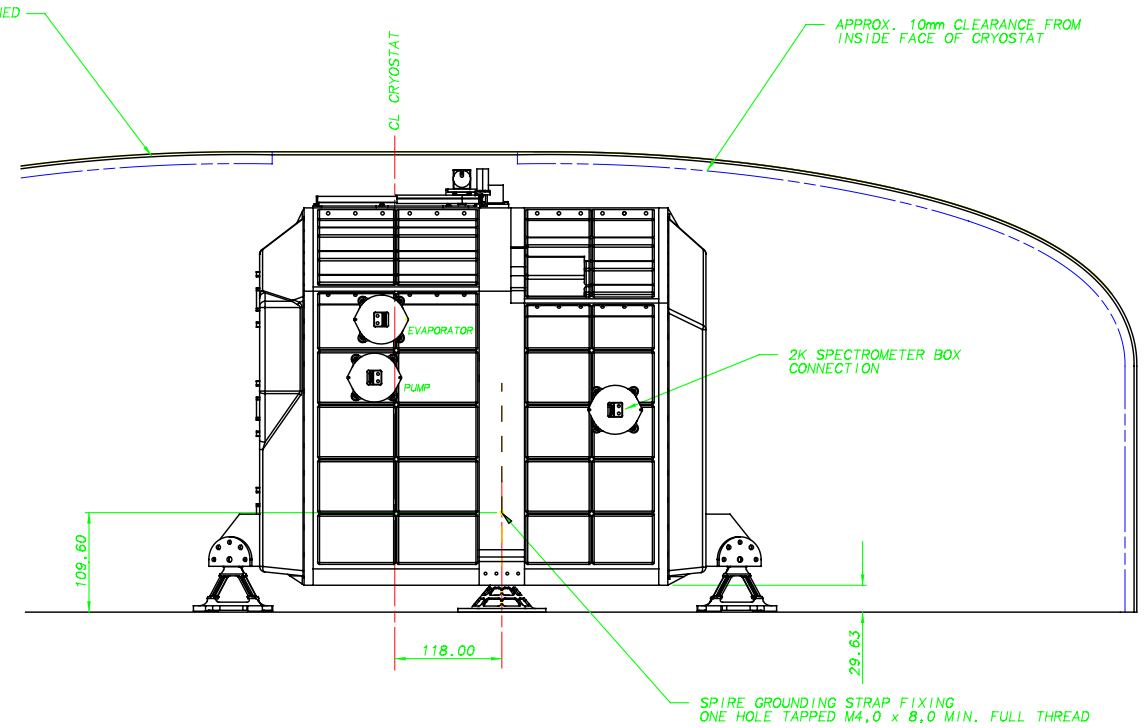


NOTE:-

1. ALL DIMENSIONS AT ROOM TEMPERATURE
2. J-FET BOXES NOT SHOWN ON THIS SHEET



NOTE:- ONLY CRYOSTAT SECTIONED ON CL. (SIDE AND END VIEWS)



CHECKED			
	11	30/7/01	RE-DRAWN 2X CABLE HARNESS HOLES REMOVED (SHT 6) SENSOR CONNECTIONS ADDED TO PHOTO COVER 3 POS
TRACED	10	28/6/01	DRAWING SHEETS 3, 4 & 5 ADDED. DIMENSIONS SHOWN ON OTHER SHEETS REMOVED FROM THIS SHEET
PBG	9	21/6/01	REDRAWN TO SHOW UPDATED DESIGN OF INSTRUMENT
DRAWN	ISSUE	DATE	AMENDMENT
AJC	1	24/11/01	

SPIRE Flight Assemblies
COMPUTER FILE

PROTECTIVE FINISH	MATERIAL & SPEC.	TOLERANCES UNLESS OTHERWISE STATED -
AS LISTED	AS LISTED	LINEAR +/- 0.10 ANGULAR +/- 0°15'
ESTD WT. 50kg (INC. CONT.)	DIMENSIONS IN mm	SCALE 1:1
ACTL WT.		

DEPARTMENT OF SPACE AND CLIMATE PHYSICS UNIVERSITY COLLEGE LONDON MULLARD SPACE SCIENCE LABORATORY, HOLMBURY ST. MARY, DORKING, SURREY.		DRAWING No
TITLE SPIRE INTERFACE (GENERAL DIMENSIONS)		A1 5264 300sht1
		SHEET 1 OF 6