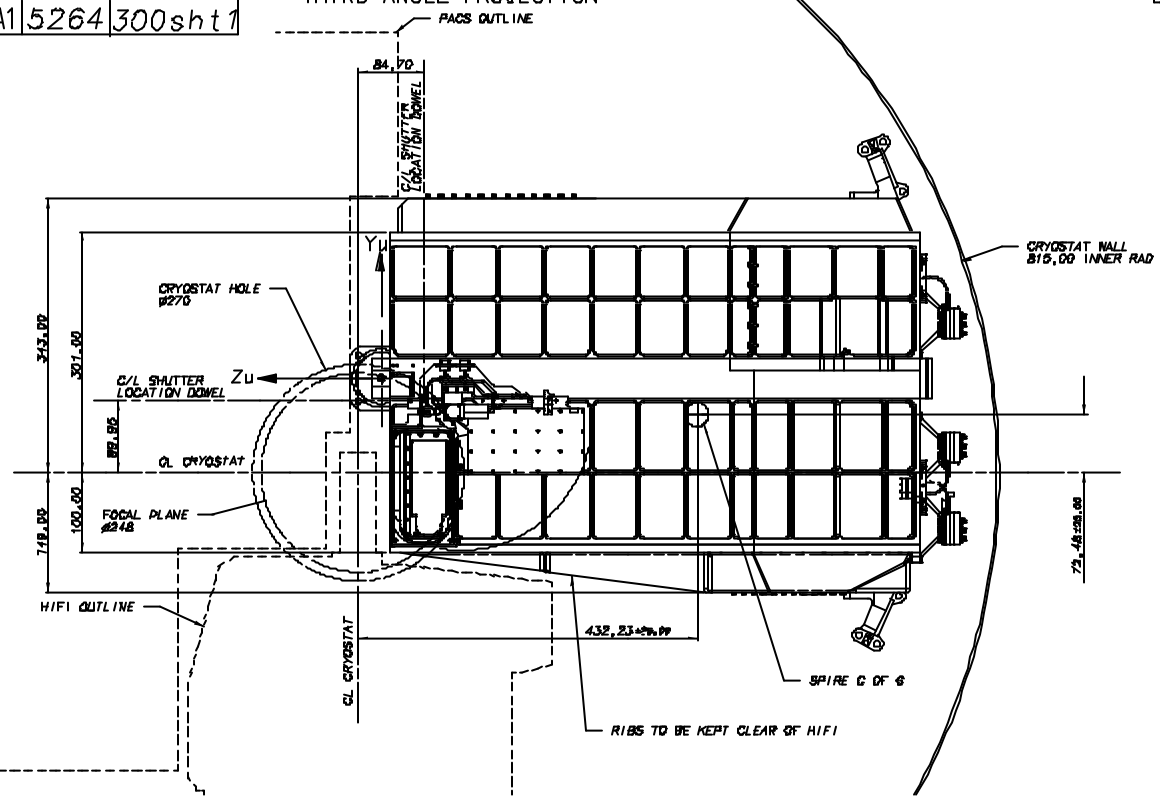


DRAWING No.
A1 5264 300sht 1

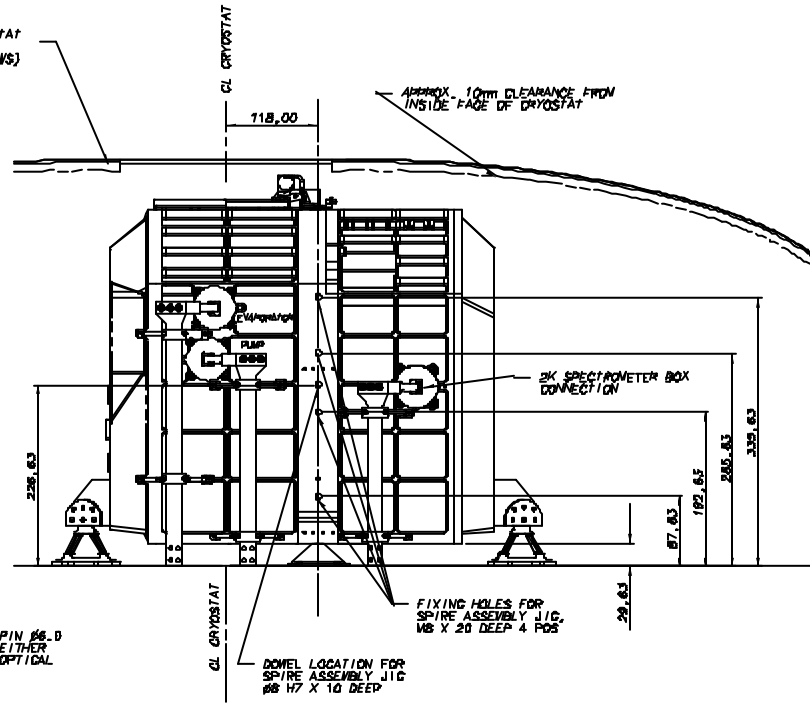
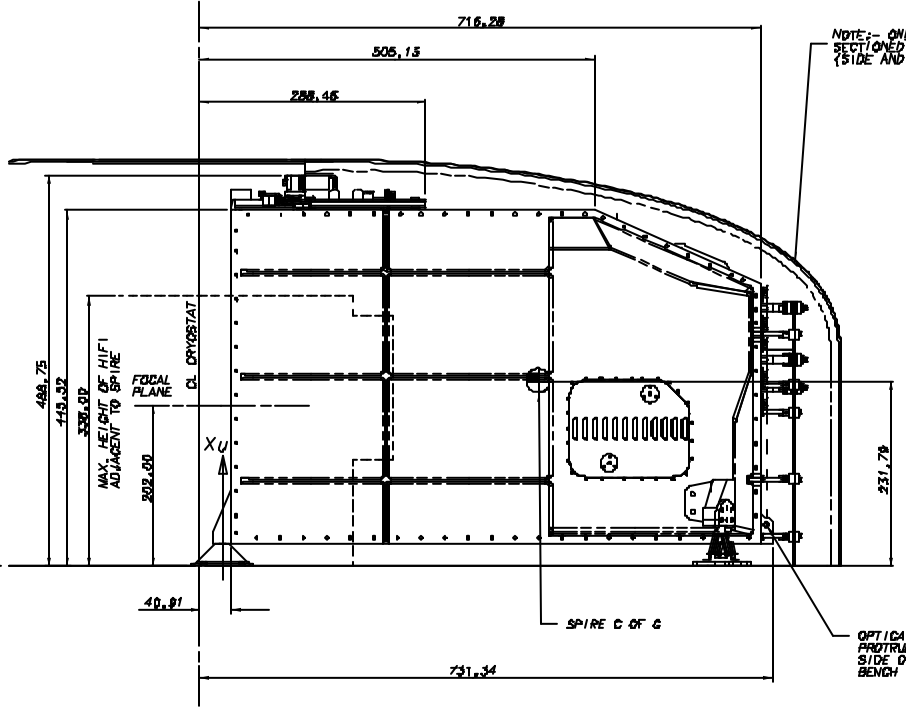
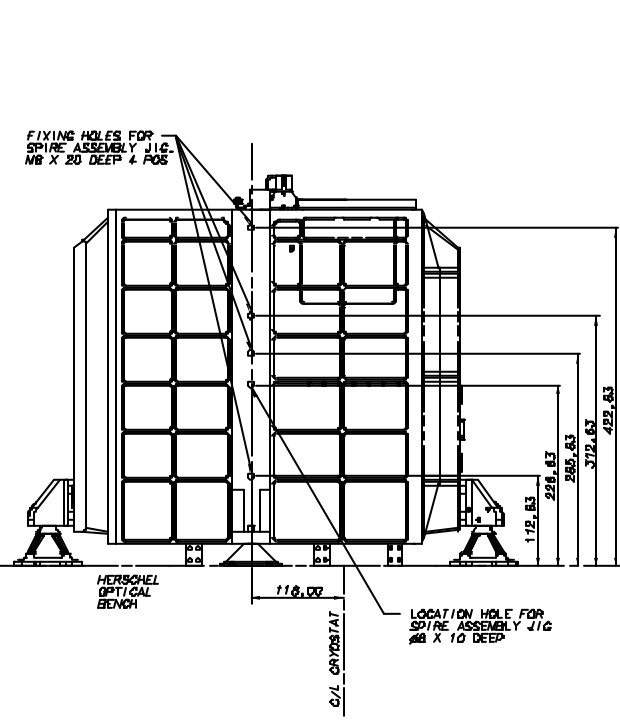
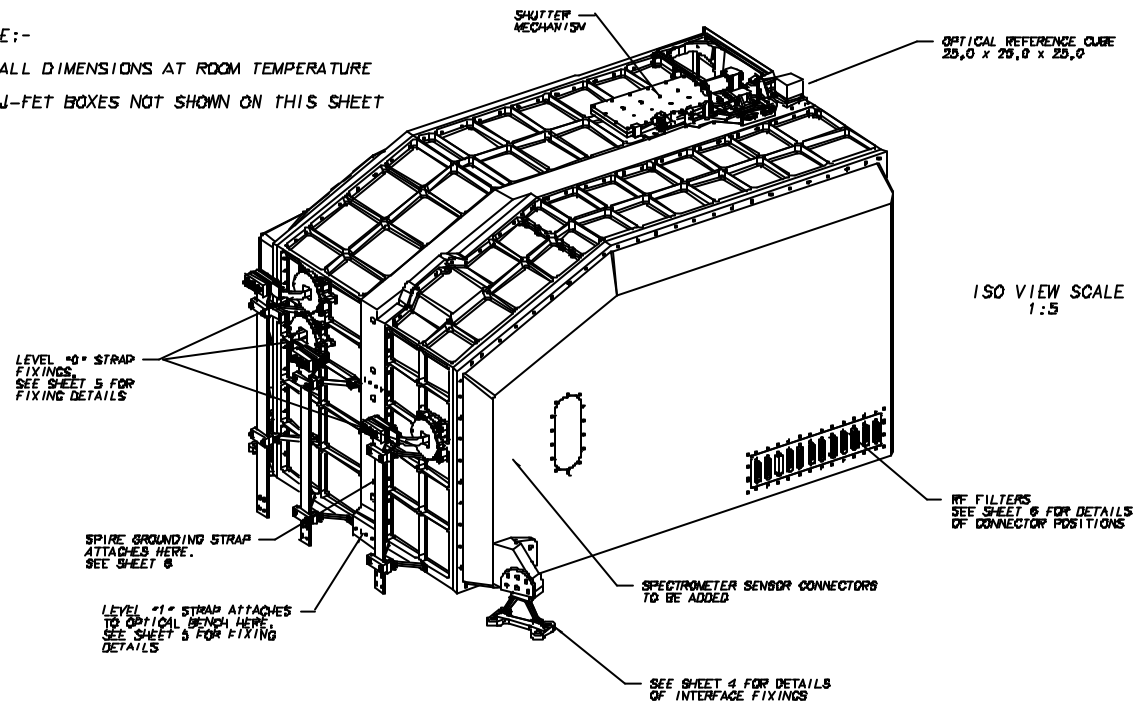
THIRD ANGLE PROJECTION

DO NOT SCALE

USED ON
HERSCHEL



NOTE:-
1, ALL DIMENSIONS AT ROOM TEMPERATURE
2, J-FET BOXES NOT SHOWN ON THIS SHEET



CHECKED	ISSUE	DATE	AMENDMENT	BY/IN CHARGE
15		27/04/01	THERMAL STRAP INTERFACE MODIFIED. LEVEL 1 STRAP FIXING HOLES MOVED.	
14		23/11/01	SENSE OF GRAVITY ADDED TO BIT 1. J-FET DESIGN UPDATED. BIT OUT HOLES REMOVED	
13		19/11/01	UPGRADED RF FILTERS & PREAMP CONNECTIONS ADDED. FOCAL PLANE & #4 FRINGE MOUNT DIM. ADDED. SHEET 7 ADDED.	
12		4/9/01	AUGUST ISSUE SHUTTER MECHANISM ADDED. COLD STRAPS AND MOUNTINGS ADDED. LINE WEIGHTS VERIFIED	
DRANN	ISSUE	DATE	AMENDMENT	BY/IN CHARGE
AJC	1	24/11/01		COMPUTER FILE

PROTECTIVE FINISH AS LISTED	MATERIAL & SPEC. AS LISTED	TOLERANCES UNLESS OTHERWISE STATED - LINEAR +/- 1.0 ANGULAR +/- 0*15'
ESTD WT. 600g(INC. CONT.)	DIMENSIONS IN mm	SCALE 1:4
ACTL WT.		

DEPARTMENT OF SPACE AND CLIMATE PHYSICS UNIVERSITY COLLEGE LONDON MULLARD SPACE SCIENCE LABORATORY, HOLMBURY ST. MARY, DORKING, SURREY.		DRAWING No
TITLE SPIRE INTERFACE (GENERAL DIMENSIONS)		A1 5264 300sht 1
SHEET 1 OF 7		