



**SPIRE & PACS
Sorptions Coolers
MAIV Flow Chart**

DOC N°: HSO-SBT-FC-003
Iss/Rev : 1.2
DATE : October 29th, 2001
PAGE : i

SERVICE DES BASSES TEMPERATURES (CEA/DSM/DRFMC/SBT)

***SPIRE & PACS Sorptions Coolers
MAIV Flow Chart***

SBT internal ref : SBT/CT/2001-18

	Name & Function	Date	Signature
Prepared	Cooler team		
SBT PA Check	P. Dupont – Cooler PA manager		
SPIRE Approval			
PACS Approval			
PA Approval	F. Loubere – PA manager		
Project Approval	J.L Augueres - SAp HSO project manager		
Project Approval	L. Duband - Cooler project manager		

Service des Basses Températures (SBT)
Département de Recherche Fondamentale sur la Matière Condensée (DRFMC)
COMMISSARIAT A L'ENERGIE ATOMIQUE - GRENOBLE (CEA-Grenoble)
17, rue des Martyrs 38054 GRENOBLE Cédex 9, France.



SPIRE & PACS
Sorption Coolers
MAIV Flow Chart

DOC N°: HSO-SBT-FC-003
Iss/Rev : 1.2
DATE : October 29th, 2001
PAGE : ii

SERVICE DES BASSES TEMPERATURES (CEA/DSM/DRFMC/SBT)

Document Status

Issue	Revision	Date	Nb of Pages	Modifications
Draft		April 4 th , 2001		First draft – released for comments
0	0	April 25 th , 2001	15	First Issue
0	1	May 15 th , 2001	15	Added Task CO105 & HS105
1	0	July 26 th , 2001	15	Updated after DDR
1	1	September 13 th , 2001	15	Updated in accordance with MAIV
1	2	October 29 th , 2001	15	Added tasks MA020, MA030 & HS070 Removed task CO120 & HS120



SPIRE & PACS
Sorption Coolers
MAIV Flow Chart

DOC N°: HSO-SBT-FC-003
Iss/Rev : 1.2
DATE : October 29th, 2001
PAGE : iii

SERVICE DES BASSES TEMPERATURES (CEA/DSM/DRFMC/SBT)

Table of Contents

1.	Scope of the document.....	1
2.	Documents.....	2
2.1	Applicable documents.....	2
2.2	Reference documents.....	2
3.	MAIV Flow Chart.....	3
3.1	Symbols Explanation.....	3
3.2	SCO MAIV Flow Chart.....	4
3.3	Heat Switch MAIV Flow Chart.....	9

Table of Figures

<u>Figure 3-1:Sorption Cooler MAIV Flow Chart (1/5)</u>	4
<u>Figure 3-2:Sorption Cooler MAIV Flow Chart (2/5)</u>	5
<u>Figure 3-3:Sorption Cooler MAIV Flow Chart (3/5)</u>	6
<u>Figure 3-4:Sorption Cooler MAIV Flow Chart (4/5)</u>	7
<u>Figure 3-5:Sorption Cooler MAIV Flow Chart (5/5)</u>	8
<u>Figure 3-6:Heat Switch MAIV Flow Chart (1/2)</u>	9
<u>Figure 3-7:Heat Switch MAIV Flow Chart (2/2)</u>	10



SPIRE & PACS Sorption Coolers MAIV Flow Chart

DOC N°: HSO-SBT-FC-003
 Iss/Rev : 1.2
 DATE : October 29th, 2001
 PAGE : iv

SERVICE DES BASSES TEMPERATURES (CEA/DSM/DRFMC/SBT)

List of Acronyms

AD / RD	Applicable / Reference Document		
ADP (EIDP)	Acceptance (End Item) Data Package		
AIT / (M)AIV	(Manufacturing,) Assembly, Integration & Test / Verification		
CADM	Configuration and Data Management		
CDR (DDR)	Critical (Detailed) Design Review	Revue de conception détaillée	RCD
CEA	Commissariat à l' Energie Atomique		
CIDL / ABCL	(As Built) Configuration Items Data List		
CN	Change Notice	Demande de Modification	DM
CQM	Cryogenic Qualification Model		
DML / DPL	Declared Material / Process List		
DRB	Delivery Review Board	Revue de Qualification	RQ
EM / (P)FM / FS	Engineering / (Proto)Flight / Spare Model		
ETF	Environmental Test Facility		
EV	Evaporator		
FIRST	Far Infrared and Submillimetre Telescope		
FMECA	Failure Mode Effects and Criticity Analysis		AMDEC
(E/M)GSE	(Electrical / Mechanical) Ground Support Equipment		
H/W	Hardware		
HIFI	Heterodyne Instrument for FIrst		
HSE	Heat Switch (on evaporator)		
HSP	Heat Switch (on sorption pump)		
ICD	Interface Control Document	Dossier de Contrôle des Interfaces	DCI
KIP / MIP	Key / Mandatory Inspection Point		
MRB	Material Review Board		
N/A	Not Applicable		
NCR	Non Conformance Report	Fiche d'Anomalie	FA
PACS	Photoconductor. Array Camera and Spectrometer		
PDR	Preliminary Design Review	Revue de Définition Préliminaire	RDP
PTR	Post Test Review	Comité de Revue et d'essai	CRE
PFM	ProtoFlight Model		



SPIRE & PACS

Sorption Coolers

MAIV Flow Chart

DOC N°: HSO-SBT-FC-003
Iss/Rev : 1.2
DATE : October 29th, 2001
PAGE : v

SERVICE DES BASSES TEMPERATURES (CEA/DSM/DRFMC/SBT)

QA / PA	Quality / Product Assurance	Assurance Qualité / Produit	AQ / AP
RFA	Request For Approval		
SAP	Service d'Astrophysique		
SBT	Service des Basses Températures		
SCO	Sorption Cooler (full unit)		
S/C	SpaceCraft		
SP	Sorption pump		
SPIRE	Spectral & Photometric Imaging Receiver		
TRR	Test Readiness Review	Bilan Technique	BT



SPIRE & PACS
Sorption Coolers
MAIV Flow Chart

DOC N°: HSO-SBT-FC-003
Iss/Rev : 1.2
DATE : October 29th, 2001
PAGE : 1

SERVICE DES BASSES TEMPERATURES (CEA/DSM/DRFMC/SBT)

1. SCOPE OF THE DOCUMENT

This document presents the Manufacturing, Assembly, Integration & Test (MAIV) Flow Chart for the SCO CQM, PFM & FS units. STM should be derived from this Flow Chart (some tasks will not be performed as this latest model has no thermal functionality).

Please note that these tasks will be described in detail in the AIV Plan.



SPIRE & PACS
Sorption Coolers
MAIV Flow Chart

DOC N°: HSO-SBT-FC-003
Iss/Rev : 1.2
DATE : October 29th, 2001
PAGE : 2

SERVICE DES BASSES TEMPERATURES (CEA/DSM/DRFMC/SBT)

2. DOCUMENTS

2.1 Applicable documents

All Applicable Documents are listed in the AD chapter of the CIDL (HSO-SBT-LI-010).

2.2 Reference documents

N/A.



SPIRE & PACS Sorption Coolers MAIV Flow Chart

DOC N°: HSO-SBT-FC-003
Iss/Rev : 1.2
DATE : October 29th, 2001
PAGE : 3

SERVICE DES BASSES TEMPERATURES (CEA/DSM/DRFMC/SBT)

3. MAIV FLOW CHART

3.1 Symbols Explanation

	SBT	Test
	SBT	Action
		Transport
		Next Step
		Single Item
		Test Readiness Review Post Test Review
		MIP / KIP

3.2 SCO MAIV Flow Chart

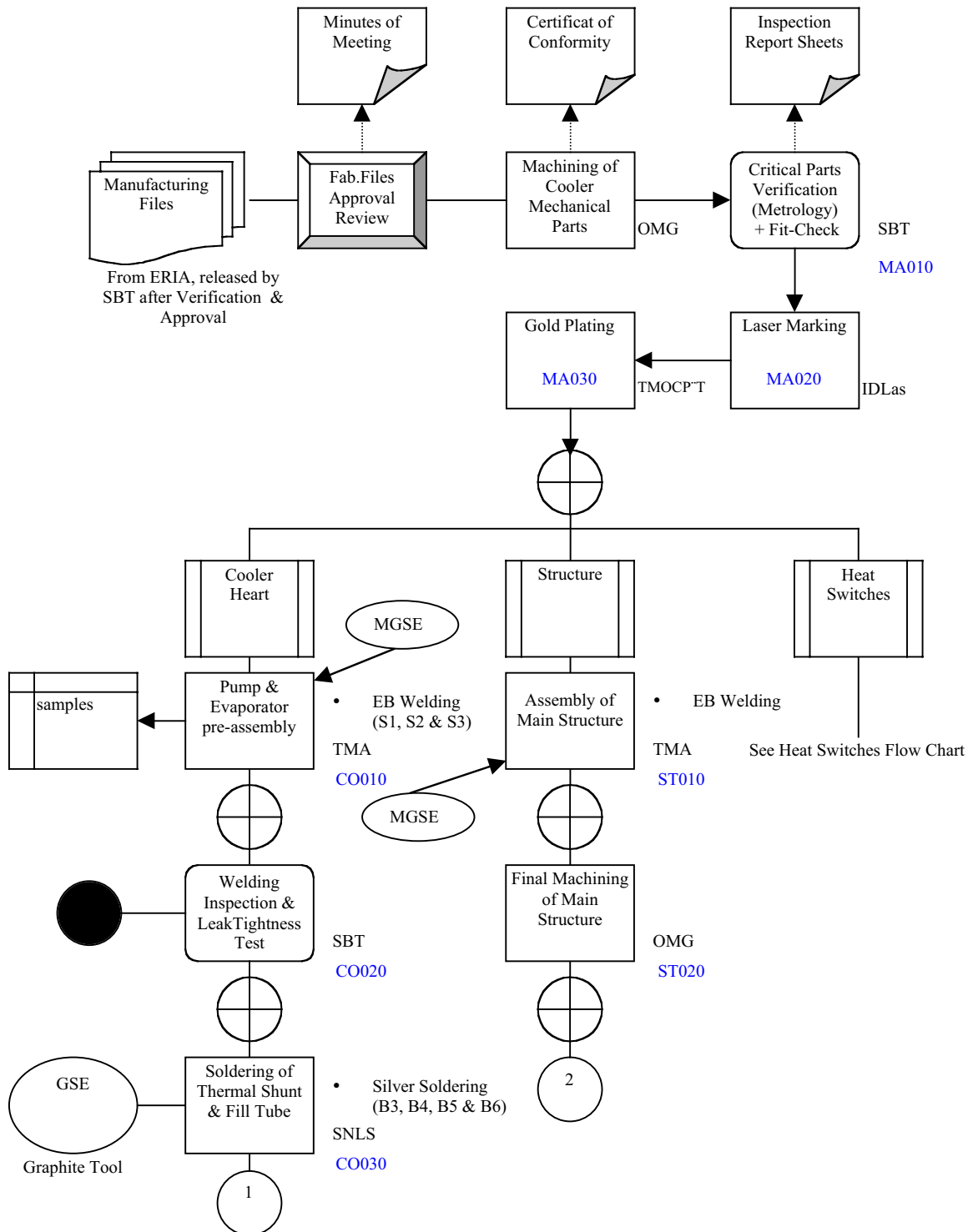


Figure 3-1: Sorption Cooler MAIV Flow Chart (1/5)

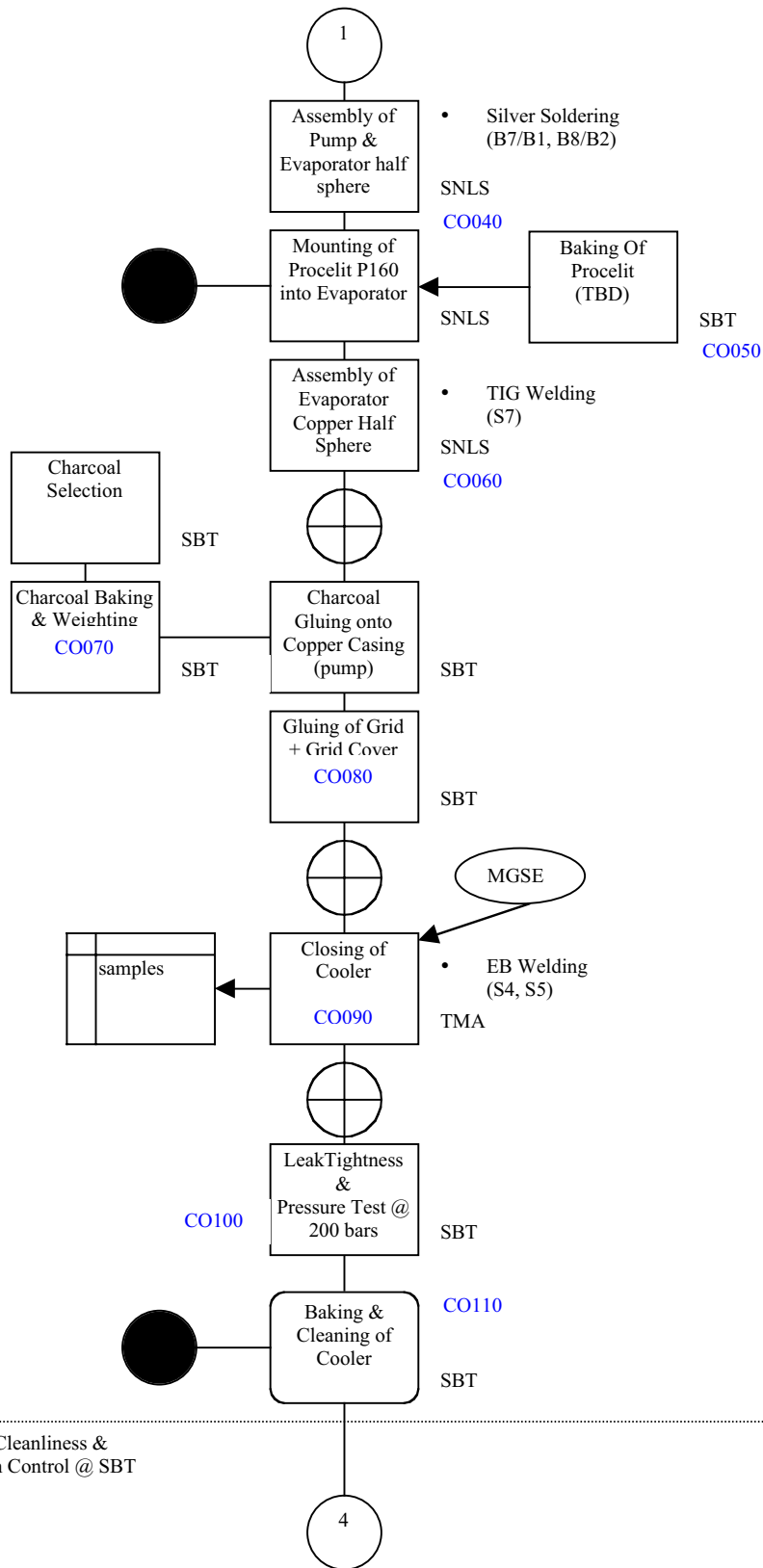


Figure 3-2: Sorption Cooler MAIV Flow Chart (2/5)

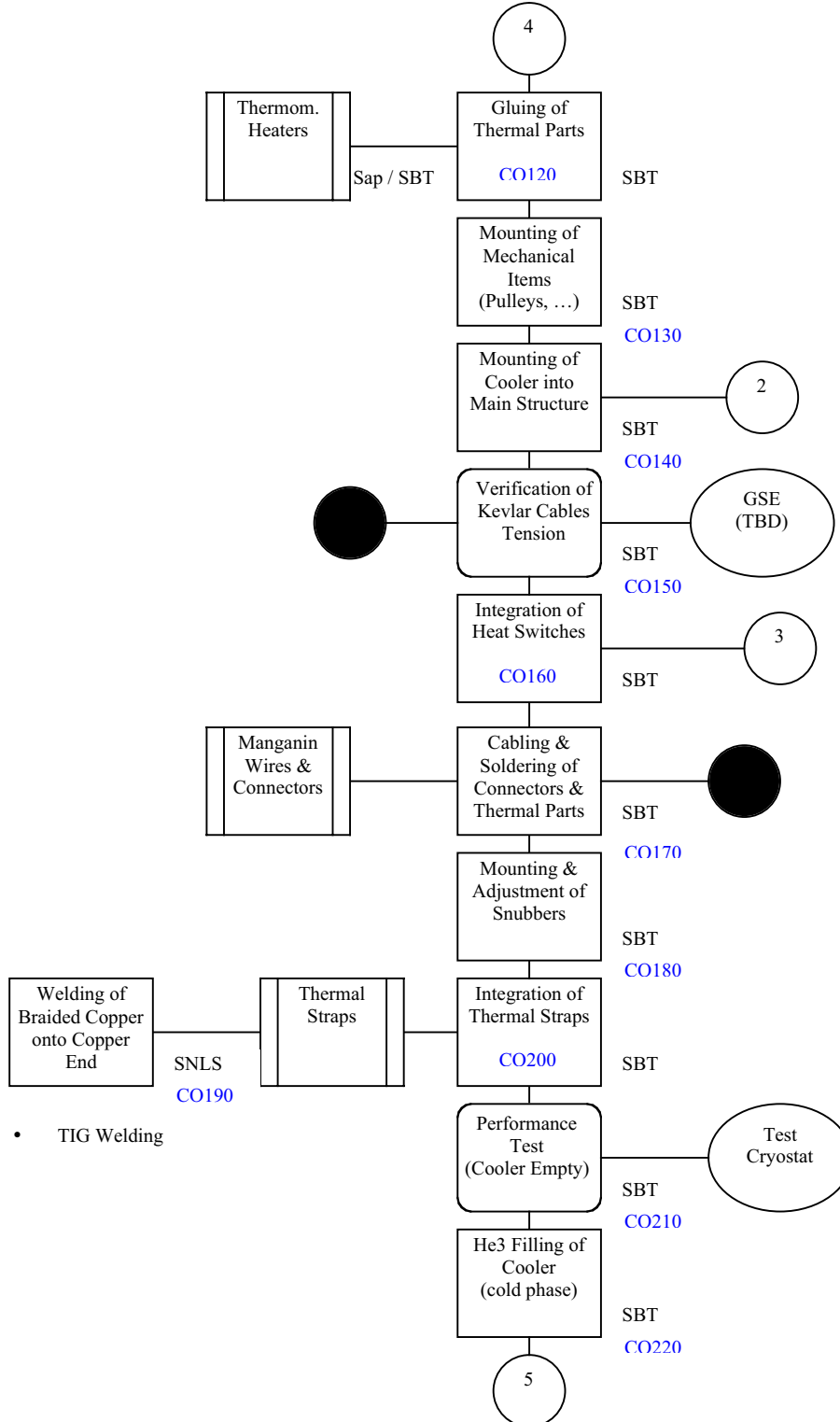


Figure 3-3: Sorption Cooler MAIV Flow Chart (3/5)



SPIRE & PACS Sorption Coolers MAIV Flow Chart

DOC N°: HSO-SBT-FC-003
Iss/Rev : 1.2
DATE : October 29th, 2001
PAGE : 7

SERVICE DES BASSES TEMPERATURES (CEA/DSM/DRFMC/GBT)

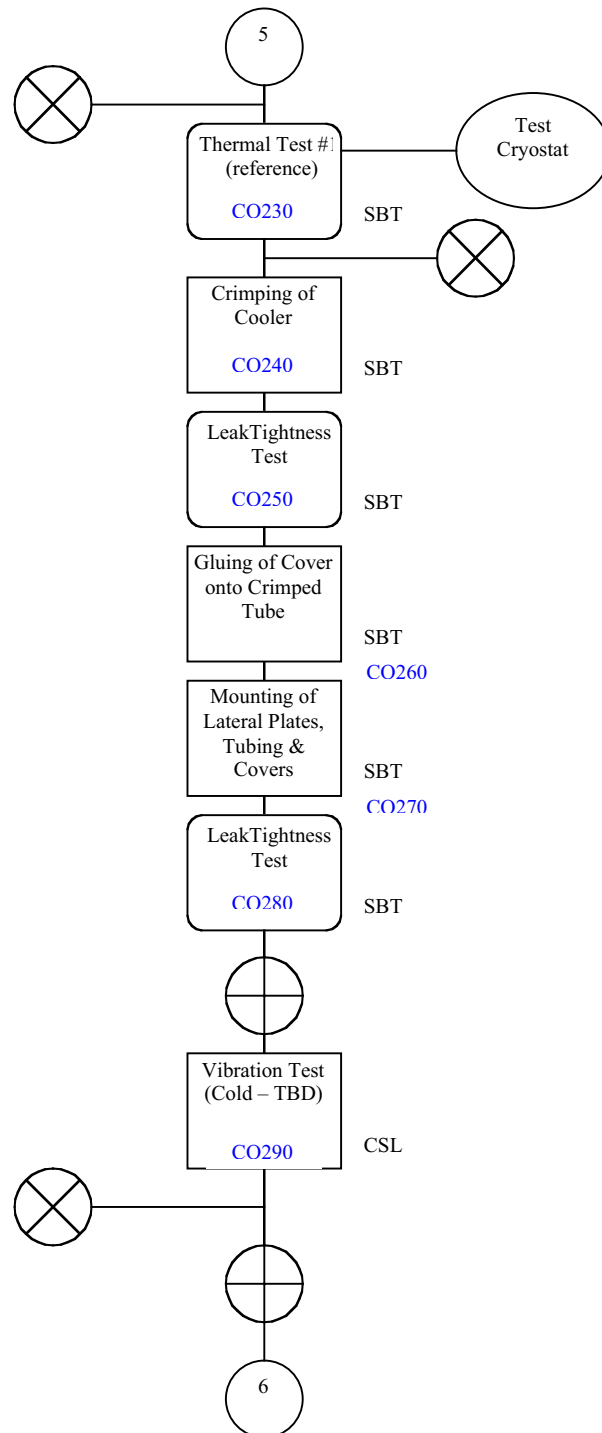


Figure 3-4: Sorption Cooler MAIV Flow Chart (4/5)



SPIRE & PACS Sorption Coolers MAIV Flow Chart

DOC N°: HSO-SBT-FC-003
Iss/Rev : 1.2
DATE : October 29th, 2001
PAGE : 8

SERVICE DES BASSES TEMPERATURES (CEA/DSM/DRFMC/SBT)

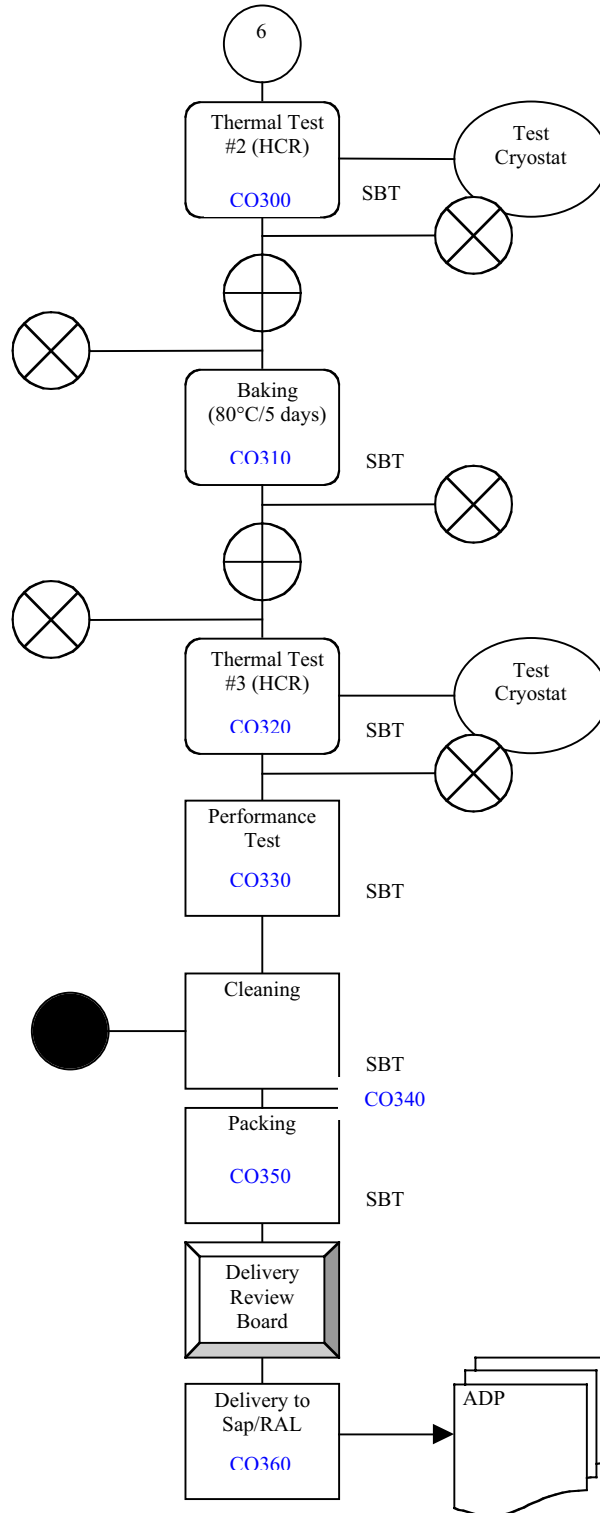


Figure 3-5: Sorption Cooler MAIV Flow Chart (5/5)



SPIRE & PACS Sorption Coolers MAIV Flow Chart

DOC N°: HSO-SBT-FC-003
 Iss/Rev : 1.2
 DATE : October 29th, 2001
 PAGE : 9

SERVICE DES BASSES TEMPERATURES (CEA/DSM/DRFMC/SBT)

3.3 Heat Switch MAIV Flow Chart

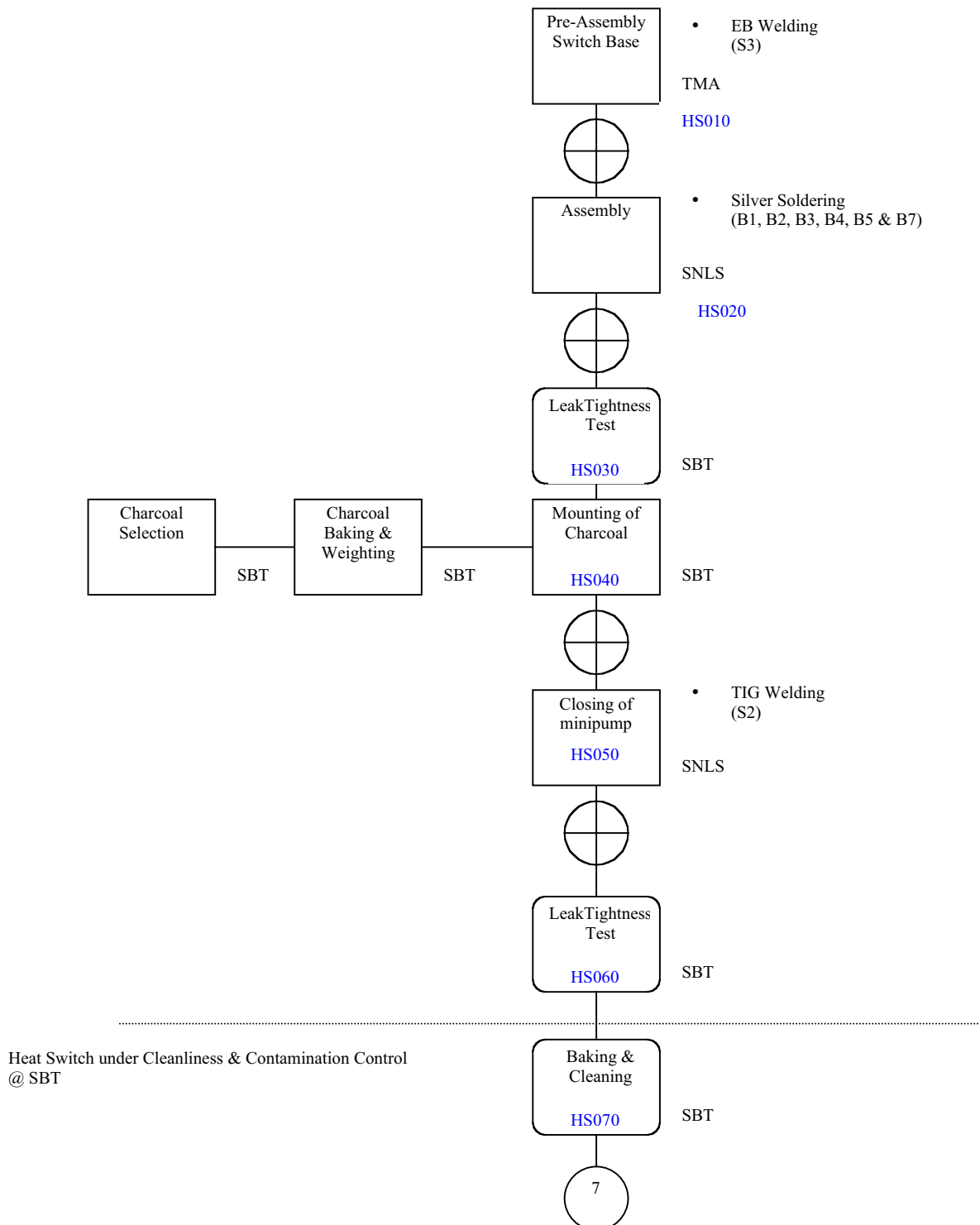


Figure 3-6:Heat Switch MAIV Flow Chart (1/2)



SPIRE & PACS Sorptions Coolers MAIV Flow Chart

DOC N°: HSO-SBT-FC-003
Iss/Rev : 1.2
DATE : October 29th, 2001
PAGE : 10

SERVICE DES BASSES TEMPERATURES (CEA/DSM/DRFMC/SBT)

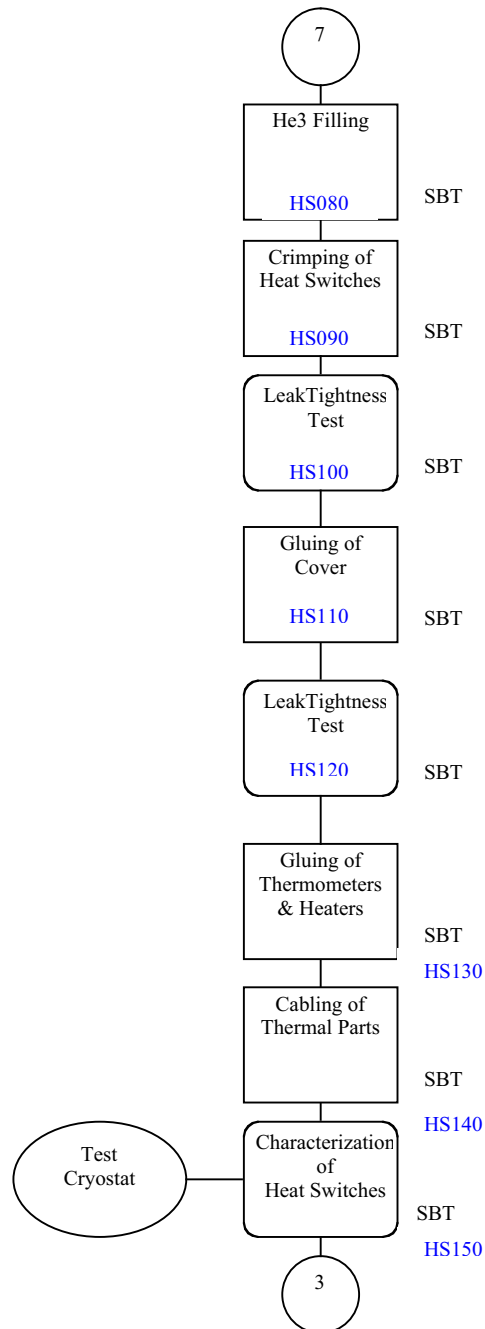


Figure 3-7:Heat Switch MAIV Flow Chart (2/2)