



SPIRE
INSTRUMENT BLOCK DIAGRAM

Doc #: SPIRE-RAL-DWG-000646
Issue: 3.4
Date: 11/12/01 8:53 AM
Page 1 of 6

Subject: **SPIRE BLOCK DIAGRAM**

PREPARED BY: J. DELDERFIELD **Date:**

APPROVED BY: K. KING..... **Date:**



SPIRE
INSTRUMENT BLOCK DIAGRAM

Doc #: SPIRE-RAL-DWG-000646
Issue: 3.4
Date: 11/12/01 8:53 AM
Page 2 of 6

CHANGE RECORD

ISSUE	DATE	CHANGE(S) MADE
2.0	7/6/01	First Controlled Issue after IIDR
2.1	18/6/01	Deleted S/C Synchronisation. Added Master Clock Lines Split FCU into Modules, avoiding mixing Prime and Redundant connections via same motherboard, and requiring BSM module to be split Prime/Redundant, TBC. Re-ordered signal channels into harnesses to get breaks between BDAs to better align with LIA divisions. Removed last vestiges of showing Fast and Slow I/Fs separately as they are linked by W1-W6. Fix FCU J26 duplication.
2.2	29/6/01	Put BDA connector numbers in line with JPL's that indicate which of the six geometric positions are used. Bundle back-harness wires as per JPL diagram. Define LCL names.
2.3	7/7/01	Rearrange JFETs to stress "modularity"
2.4	7/8/01	Increase FCU J21 and J22 to 25way...to take calibrator heater wires that were omitted. Swop JFETs to using 37way filters with partially populated contacts.
2.5	8/8/01	Put in FPU clamshell connectors as harness name "breaks". Delete TBD.
2.6	7/9/01	Update SMEC connectors on FPU from 50 way to 2x37way each side.
2.7	9/10/01	Put in fully updated HSFCU
2.8	12/10/01	Correct way I harness tails split on to FCU...in error in version 2.7
		Remove branch from F12A and route 300mK temperature "detectors" via HSJFS J7 AND J8 and new F 28. Correct PMW BDA Allocation. Add note to F20 and F21 so clear that each has one "Cernox" that is actually a 300Mk heater.
		Put in HSDCU with connectors drawn to scale.
2.9	18/10/01	Correct errors with W3-6 labels that crept into issue 2.8
3.0	30/10/01	Swop numbers on connector lines for DCU redundant bias generator so they fit with harness definition document, and connectors 29-34 remain if generators were to be put on one module or otherwise reconfigured.
3.1	31/10/01	Remove Filter Modules from JFET racks, thus adopting JPL's intention to use filter connectors and spliced harness.
3.2	9/11/01	Reduce HSDCU Bias module front panel sizes and house them in one double sided module. Call S4 T1 as per Doug's drawings.
3.3	21/11/01	Add last few connector IDs to JFET racks.
3.4	11/12/01	Got J1-J4 on FCU the correct way around [SCU to MCU!]



SPIRE

INSTRUMENT BLOCK DIAGRAM

Doc #: SPIRE-RAL-DWG-000646
Issue: 3.4
Date: 11/12/01 8:53 AM
Page 3 of 6

ACRONYM LIST

Term	Meaning
ADC	Analogue to Digital Converter
AIV	Assembly, Integration and Verification
AME	Absolute Measurement Error
AOCS	Attitude and Orbit Control System
APART	Arizona's Program for the Analysis of Radiation Transfer
APE	Absolute Pointing Error
ASAP	Advanced Systems Analysis Program
AVM	Avionics Model
BDA	Bolometer Detector Array
BFL	Back Focal Length
BRO	Breault Research Organization
BSM	Beam Steering Mirror
CDMS	Command and Data Management System
CDMU	Command and Data Management Unit
CDR	Critical Design Review
CMOS	Complimentary Metal Oxide Silicon
CPU	Central Processing Unit
CVV	Cryostat Vacuum Vessel
DAC	Digital to Analogue Converter
DAQ	Data Acquisition
DCU	Detector Control Unit = HSDCU
DPU	Digital Processing Unit = HSDPU
DSP	Digital Signal Processor
DQE	Detective Quantum Efficiency
EDAC	Error Detection and Correction
EGSE	Electrical Ground Support Equipment
EMC	Electro-magnetic Compatibility
EMI	Electro-magnetic Interference
ESA	European Space Agency
FCU	FCU Control Unit = HSFCU
FIR	Far Infrared
FIRST	Far Infra-Red and Submillimetre Telescope
FOV	Field of View
F-P	Fabry-Perot
FPGA	Field Programmable Gate Array
FPU	Focal Plane Unit
FTS	Fourier Transform Spectrometer
FWHM	Full Width Half maximum
GSFC	Goddard Space Flight Center
HK	House Keeping
HOB	Herschel Optical Bench
HPDU	Herschel Power Distribution Unit
HSDCU	Herschel-SPIRE Detector Control Unit
HSDPU	Herschel-SPIRE Digital Processing Unit
HSFCU	Herschel-SPIRE FPU Control Unit
HSO	Herschel Space Observatory
IF	Interface
IID-A	Instrument Interface Document - Part A



SPIRE

INSTRUMENT BLOCK DIAGRAM

Doc #: SPIRE-RAL-DWG-000646
Issue: 3.4
Date: 11/12/01 8:53 AM
Page 4 of 6

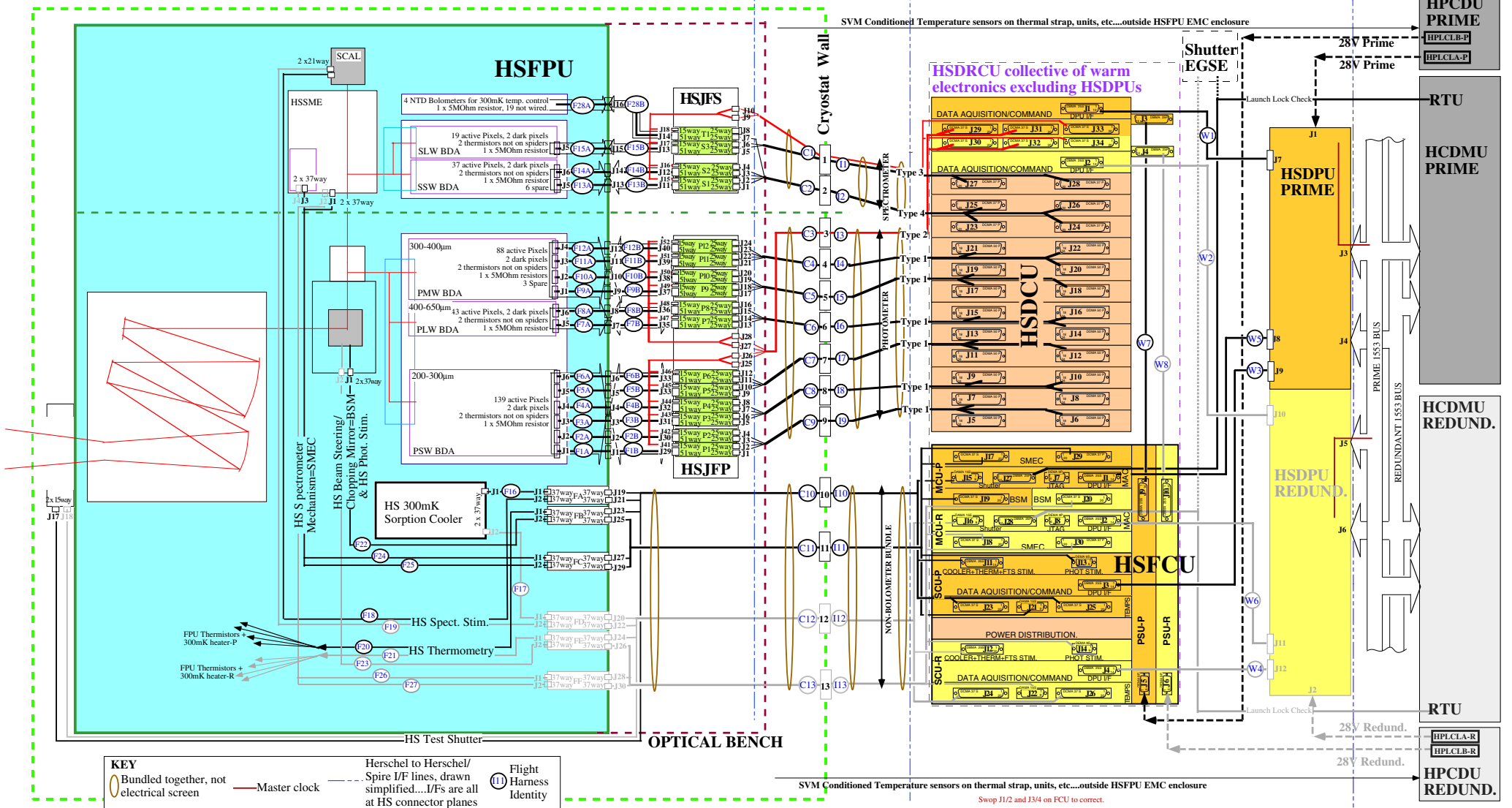
Term	Meaning
IID-B	Instrument Interface Document - Part B
IMF	Initial Mass Function
IR	Infrared
IRD	Instrument Requirements Document
IRTS	Infrared Telescope in Space
ISM	Interstellar Medium
JFET	Junction Field Effect Transistor
ISO	Infrared Space Observatory
LCL	Latching Current Limiter
LIA	Lock-In Amplifier
LVDT	Linear Variable Differential Transformer
MAC	Multi Axis Controller
LWS	Long Wave Spectrometer (an instrument used on ISO)
MCU	Mechanism Control Unit = HSMCU
M-P	Martin-Puplett
NEP	Noise Equivalent Power
NTD	Neutron Transmutation Doped
OBS	On-Board Software
OMD	Observing Modes Document
OPD	Optical Path Difference
PACS	Photodetector Array Camera and Spectrometer
PCAL	Photometer Calibration source
PID	Proportional, Integral and Differential (used in the context of feedback control loop architecture)
PLW	Photometer, Long Wavelength
PMW	Photometer, Medium Wavelength
POF	Photometer Observatory Function
PROM	Programmable Read Only Memory
PSW	Photometer, Short Wavelength
PUS	Packet Utilisation Standard
RMS	Root Mean Squared
SCAL	Spectrometer Calibration Source
SCUBA	Submillimetre Common User Bolometer Array
SED	Spectral Energy Distribution
SMEC	Spectrometer Mechanics
SMPS	Switch Mode Power Supply
SOF	Spectrometer Observatory Function
SPIRE	Spectral and Photometric Imaging Receiver
SRAM	Static Random Access Memory
SSSD	SubSystem Specification Document
STP	Standard Temperature and Pressure
SVM	Service Module
TBC	To Be Confirmed
TBD	To Be Determined
TC	Telecommand
URD	User Requirements Document
UV	Ultra Violet
WE	Warm Electronics
ZPD	Zero Path Difference

HERSCHEL-SPIRE(HS)

HERSCHEL

HERSCHEL-SPIRE(HS)

HERSCHEL



KEY

- Bundled together, not electrical screen
- Master clock
- Herschel to Herschel/Spice I/F lines, drawn simplified...I/Fs are all at HS connector planes
- Flight Harness Identity

SVM Conditioned Temperature sensors on thermal strap, units, etc....outside HSFPU EMC enclosure

Swop J1/2 and J3/4 on FCU to correct.

HPCDU PRIME
HPLCLB-P
HPLCLA-P

RTU

HCDMU PRIME

HCDMU REDUND.
REDUNDANT 1553 BUS

RTU
HPLCLA-R
HPLCLB-R

HPCDU REDUND.