

DRAWING No.
A1 5264 300sht 1

THIRD ANGLE PROJECTION

DO NOT SCALE

REMOVE ALL BURRS & SHARP EDGES

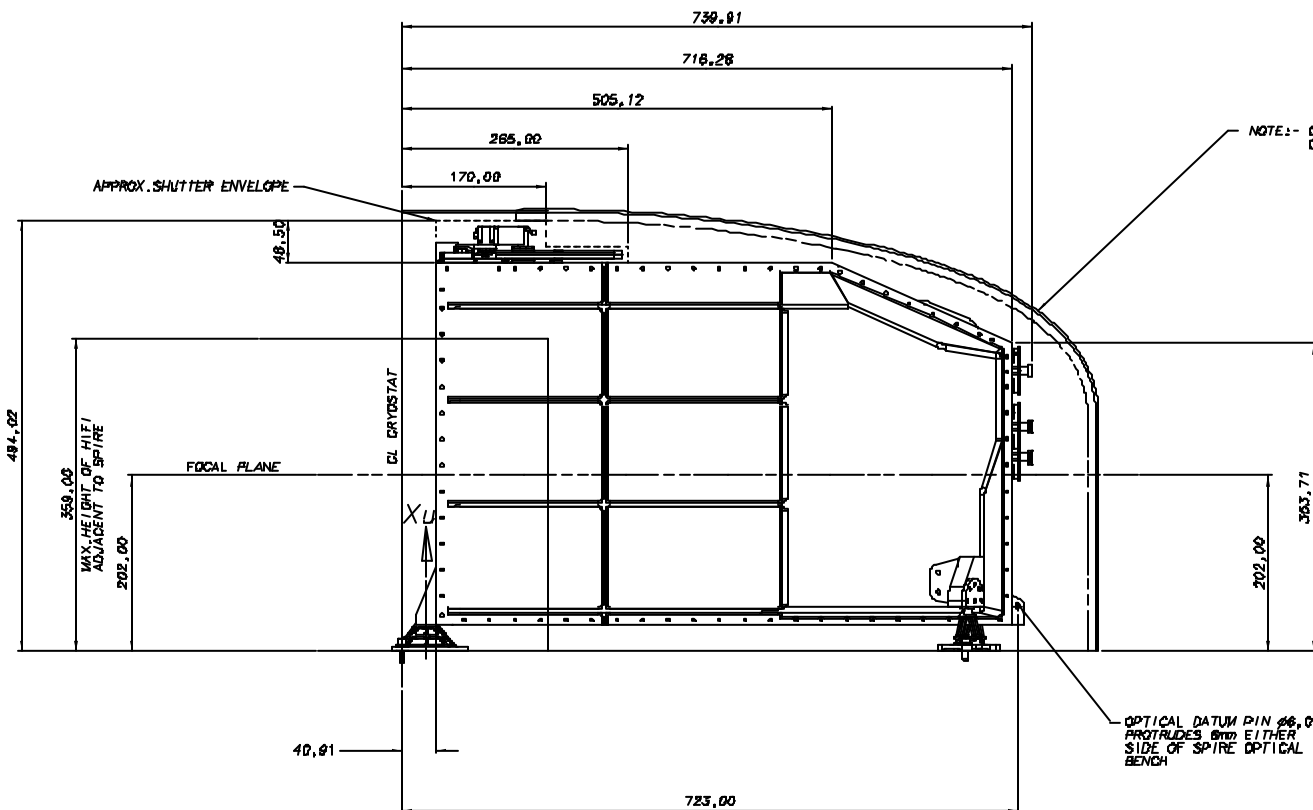
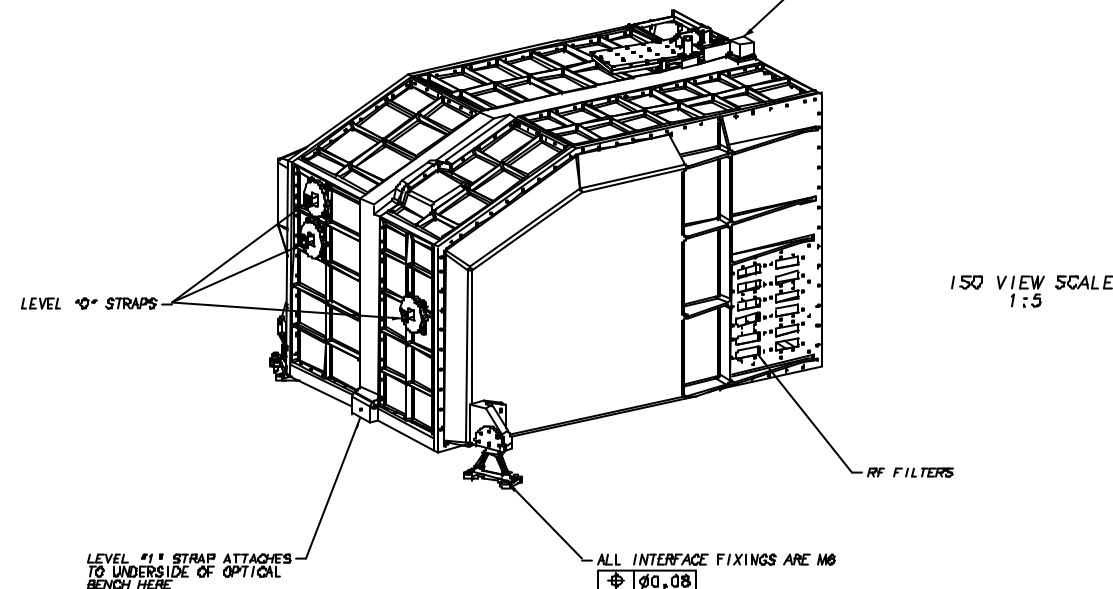
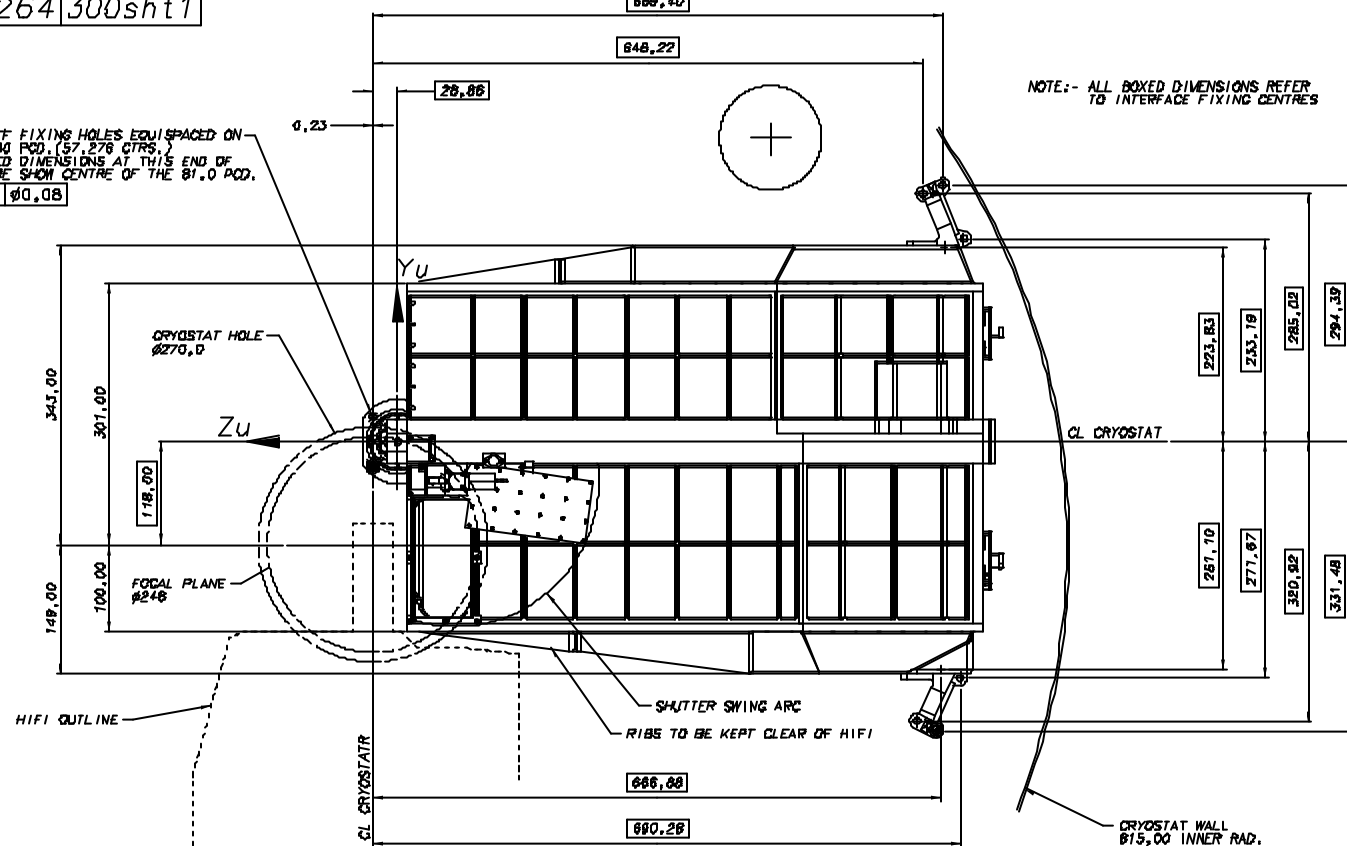
USED ON
FIRST

4 OFF FIXING HOLES EQUISPACED ON
81.00 POD (Ø7.276 CTRS.)
BOXED DIMENSIONS AT THIS END OF
SPIRE SHOW CENTRE OF THE 81.0 POD.
Ø 80.08

NOTE:- ALL BOXED DIMENSIONS REFER
TO INTERFACE FIXING CENTRES

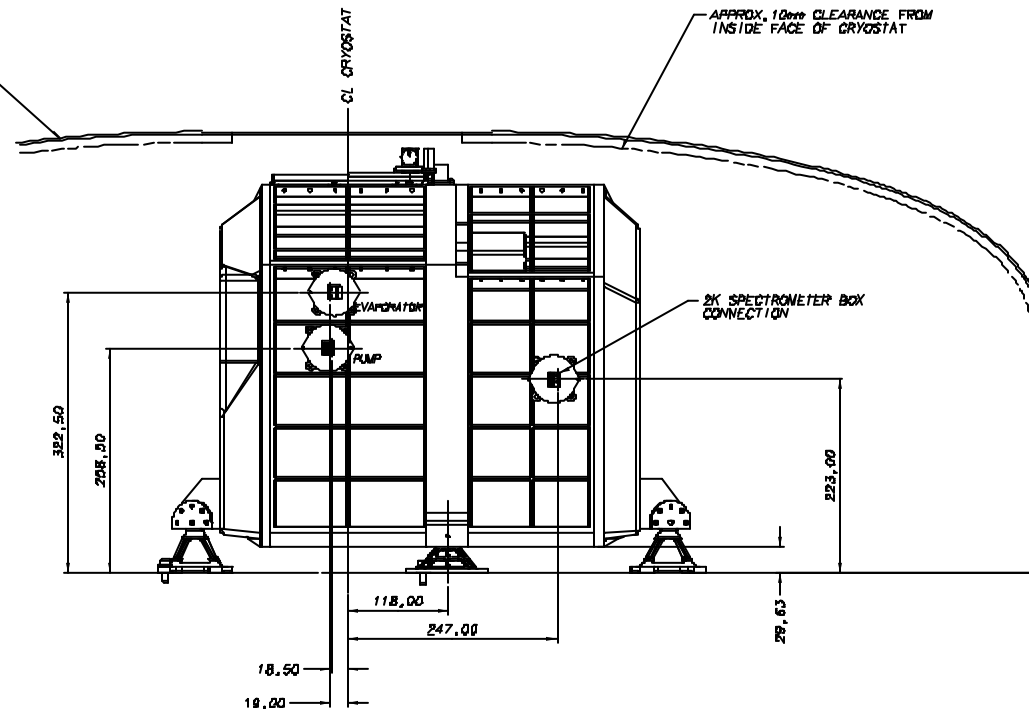
JFET BOXES NOT SHOWN ON THIS SHEET

OPTICAL REFERENCE CUBE
25.0 x 25.0 x 25.0



NOTE:- ONLY CRYOSTAT SECTIONED ON CL. (SIDE AND END VIEWS)

APPROX. 10mm CLEARANCE FROM INSIDE FACE OF CRYOSTAT



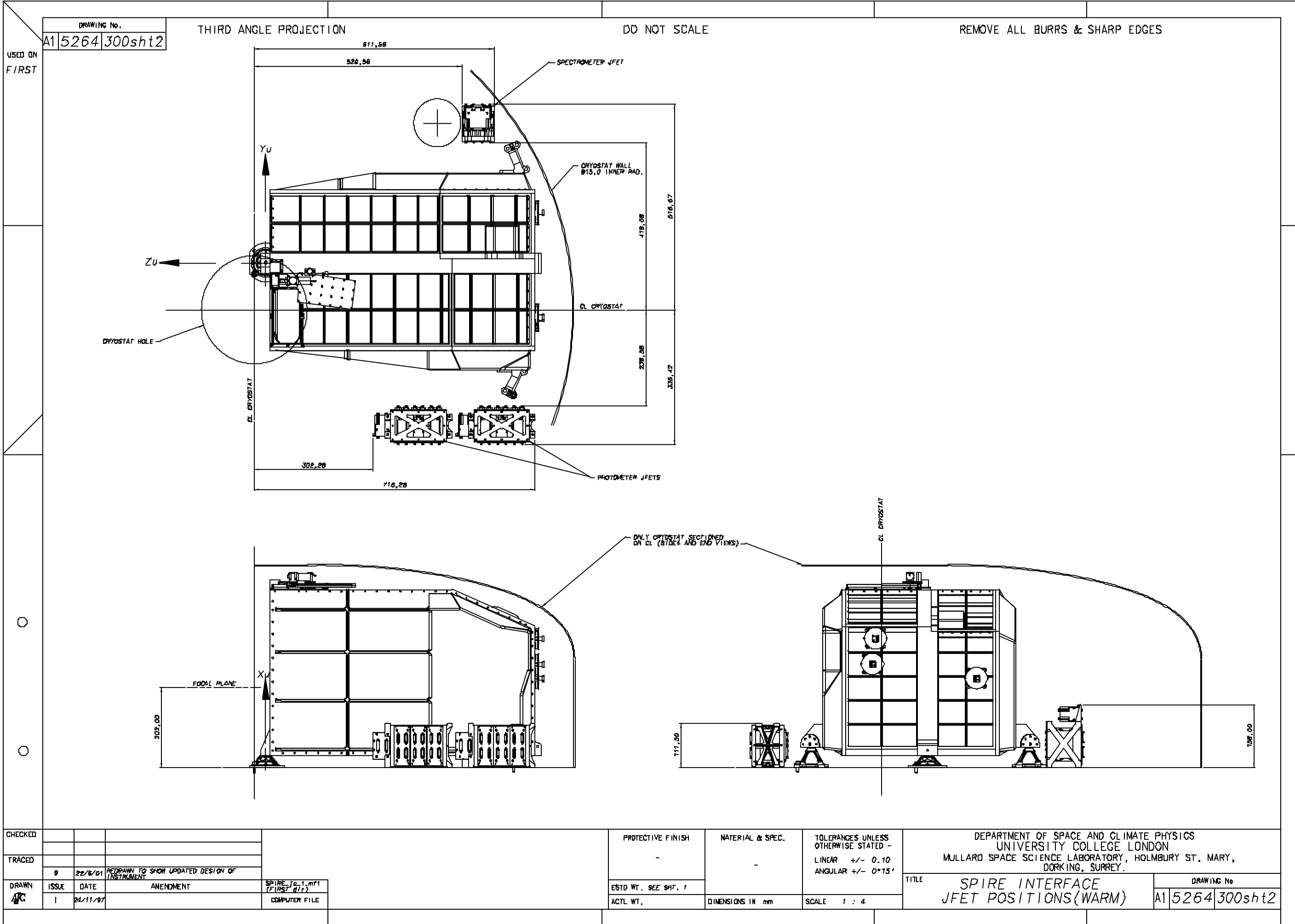
CHECKED			
TRACED			
DRAWN	21/8/01	REDRAWN TO SHOW UPDATED DESIGN OF INSTRUMENT	
ISSUE	DATE	AMENDMENT	
1	24/11/87		

SPIRE - [a-1, m71 (FIRST 47-)]
COMPUTER FILE

PROTECTIVE FINISH	MATERIAL & SPEC.	TOLERANCES UNLESS OTHERWISE STATED - LINEAR +/- 1.00 ANGULAR +/- 0°15'
ESTD WT. 50kg (INC. CONT.)		
ACTL WT.	DIMENSIONS IN mm	SCALE 1:4

DEPARTMENT OF SPACE AND CLIMATE PHYSICS
UNIVERSITY COLLEGE LONDON
MULLARD SPACE SCIENCE LABORATORY, HOLMBURY ST. MARY,
DORKING, SURREY.

TITLE	DRAWING No
SPIRE INTERFACE (WARM)	A1 5264 300sht 1



CHECKED			
TRACED			
DRAWN	ISSUE	DATE	ANENDMENT
ATC	1	24/11/97	

SPiRE Ic-1.mf1 (FIRST SHt)	COMPUTER FILE
----------------------------	---------------

PROTECTIVE FINISH	MATERIAL & SPEC.	TOLERANCES UNLESS OTHERWISE STATED -
-	-	LINEAR +/- 0.10
ESTD WT. SEE SHt. 1		ANGULAR +/- 0°15'
ACTL WT.	DIMENSIONS IN mm	SCALE 1 : 4

DEPARTMENT OF SPACE AND CLIMATE PHYSICS UNIVERSITY COLLEGE LONDON MULLARD SPACE SCIENCE LABORATORY, HOLMBURY ST. MARY, DORKING, SURREY.	
TITLE	DRAWING No
SPiRE INTERFACE JFET POSITIONS(WARM)	A15264300sht2

DRAWING No.

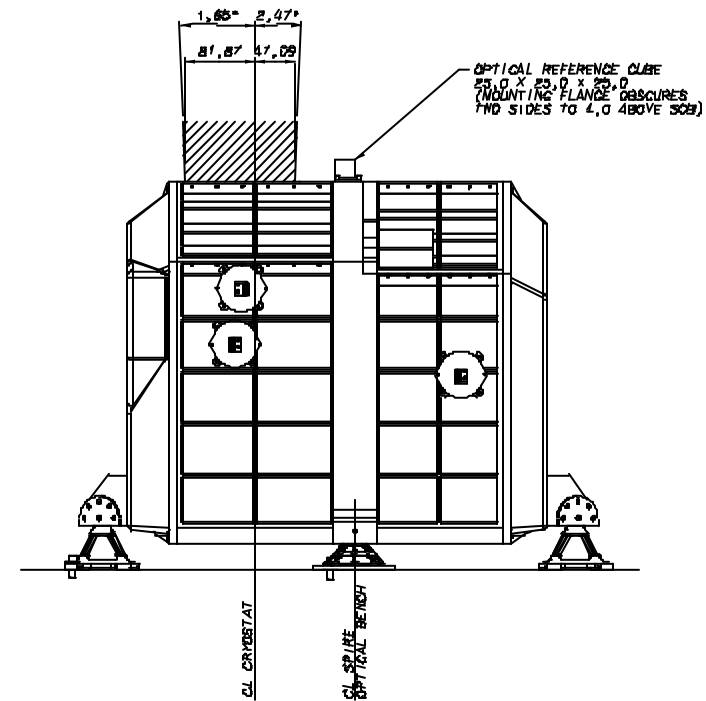
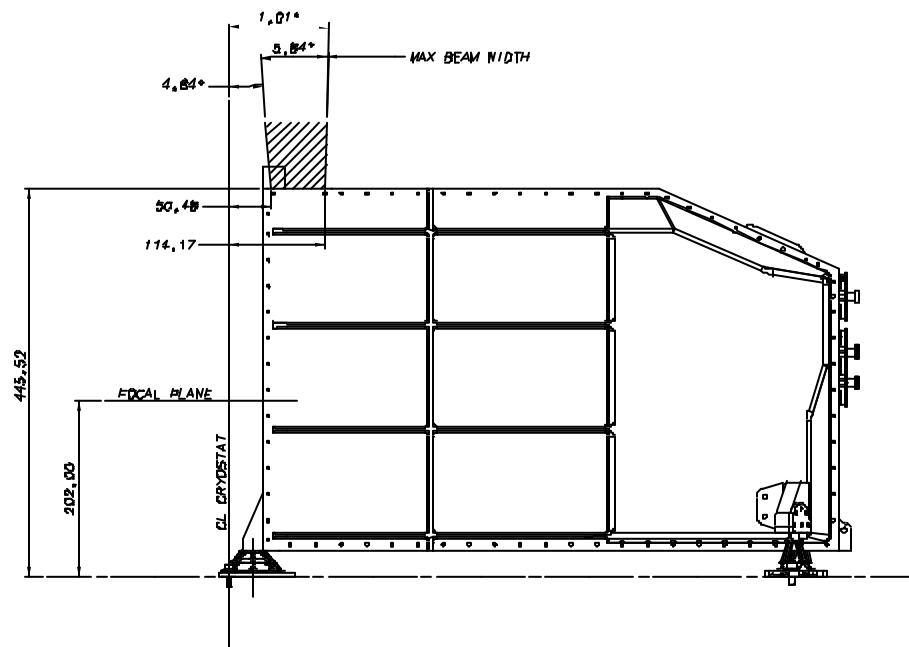
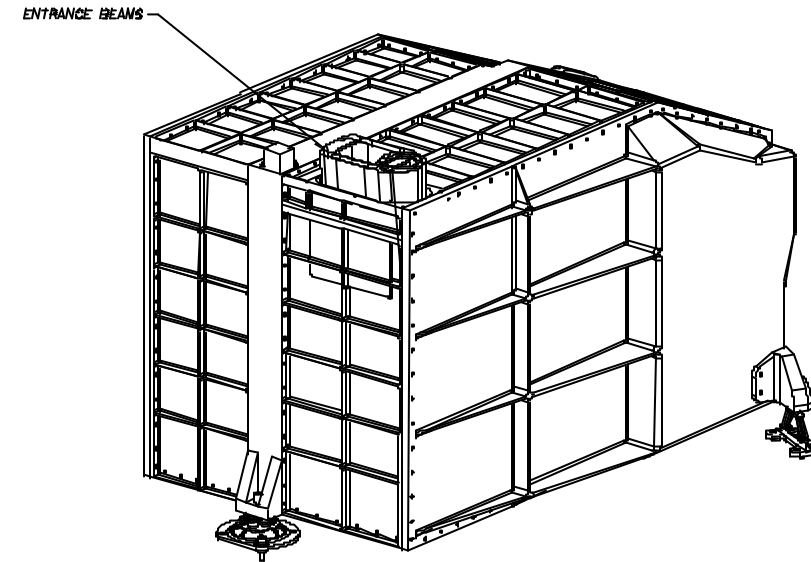
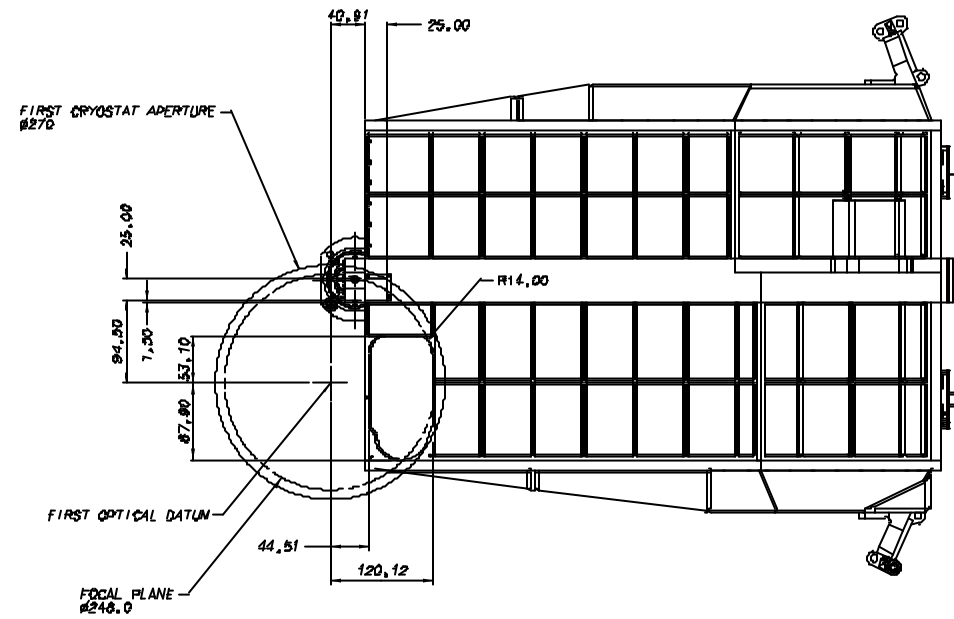
A15264300sht3

THIRD ANGLE PROJECTION

DO NOT SCALE

REMOVE ALL BURRS & SHARP EDGES

USED ON
FIRST



CHECKED				
TRACED				
DRAWN	ISSUE	DATE	AMENDMENT	SPIRE-ic-1
AJC	1	25/3/01		COMPUTER FILE

PROTECTIVE FINISH	MATERIAL & SPEC.	TOLERANCES UNLESS OTHERWISE STATED -
-	-	LINEAR +/- 0.10
		ANGULAR +/- 0.15'
ESTD WT. SEE SH1 1		
ACTL WT.	DIMENSIONS IN mm	SCALE FULL SIZE

DEPARTMENT OF SPACE AND CLIMATE PHYSICS UNIVERSITY COLLEGE LONDON MULLARD SPACE SCIENCE LABORATORY, HOLMBURY ST. MARY, DORKING, SURREY.	
TITLE SPIRE OPTICAL INTERFACE (WARM)	DRAWING No A15264300sht3