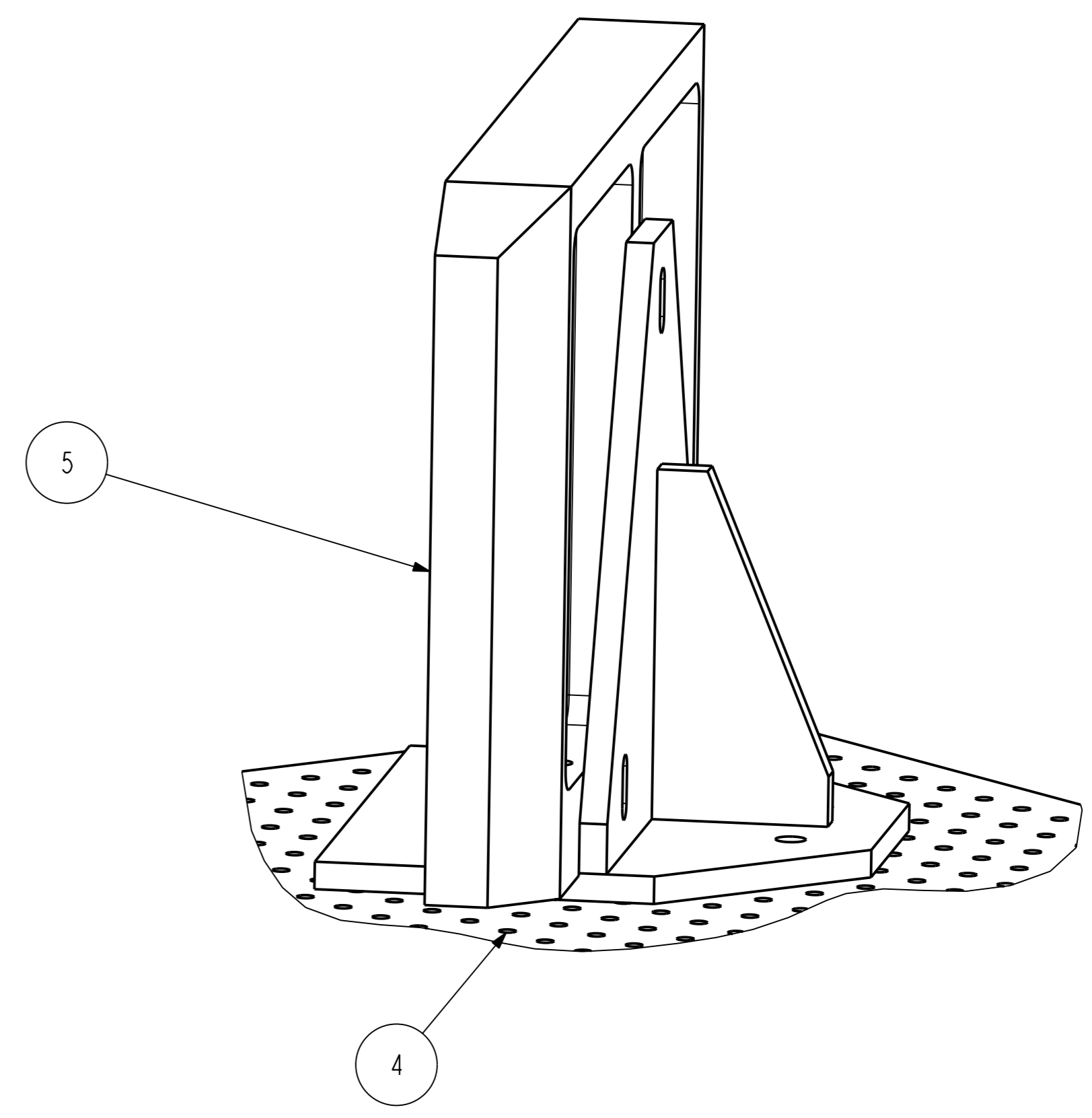
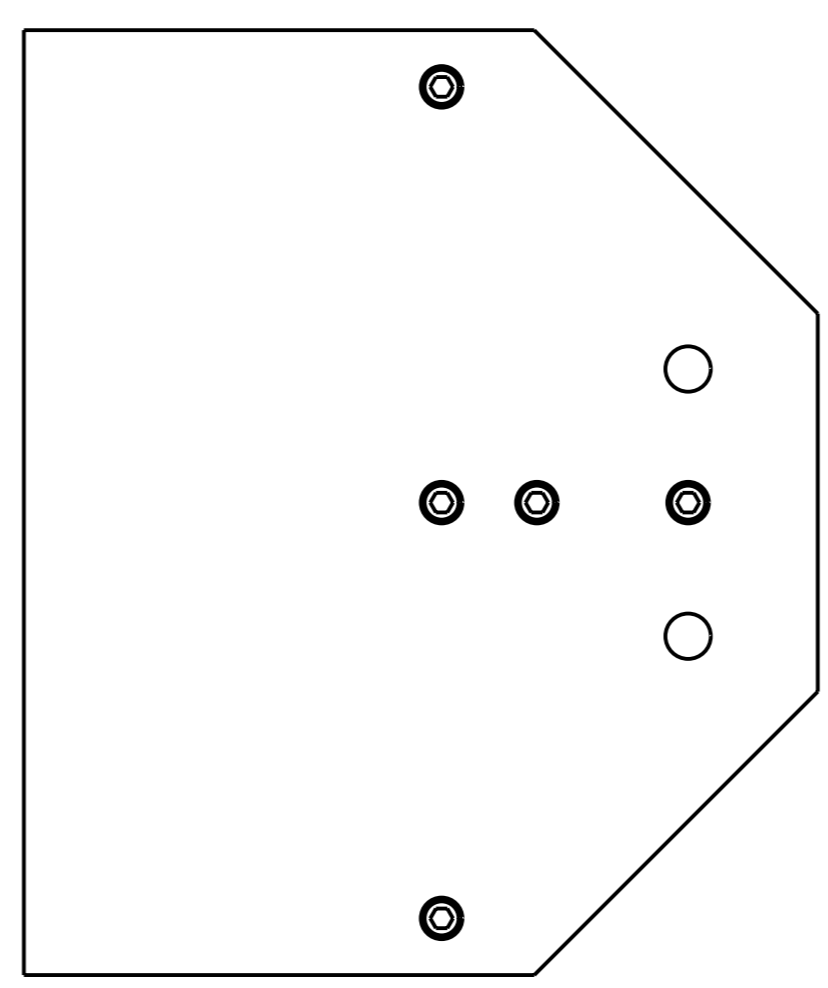
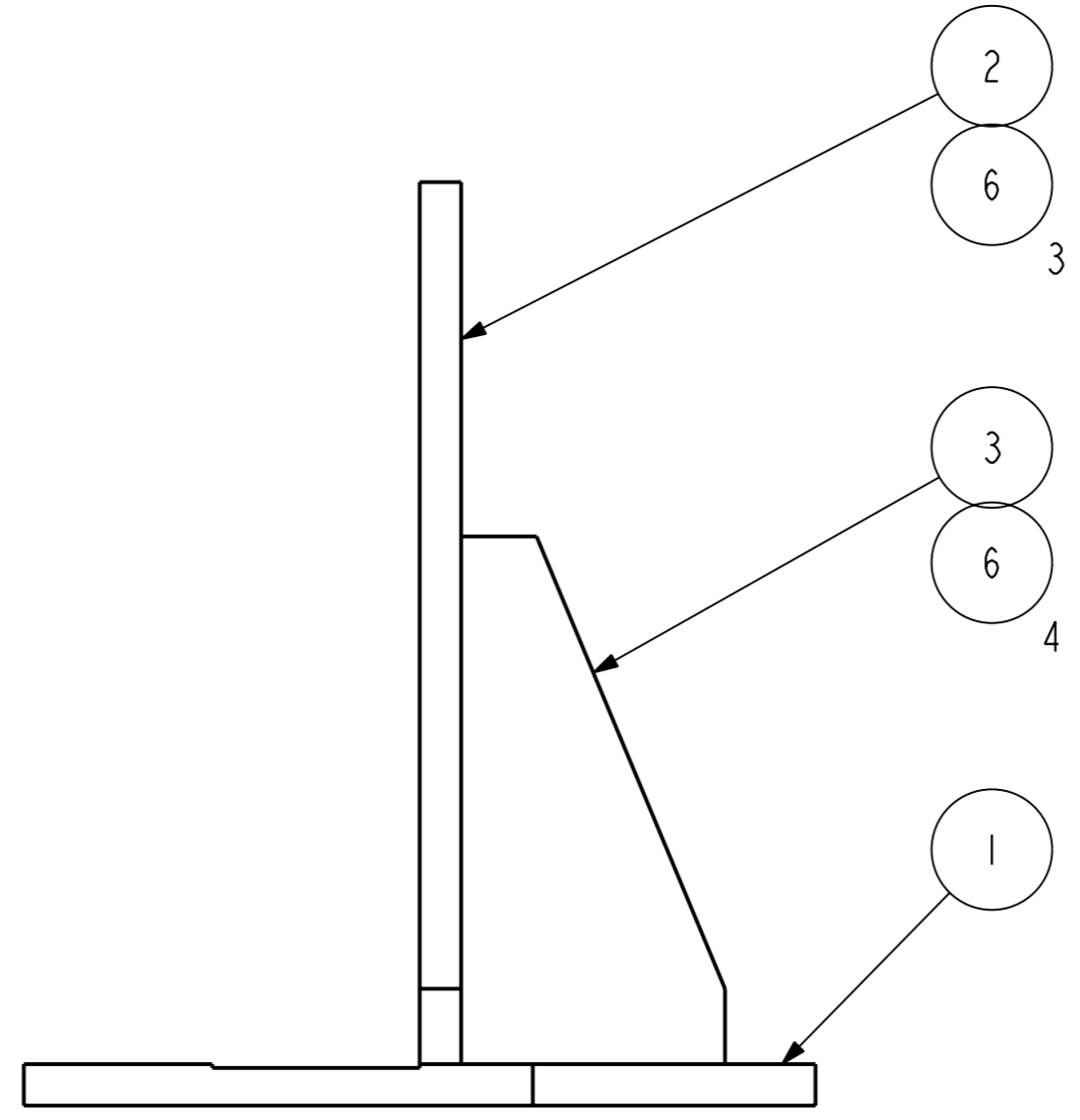
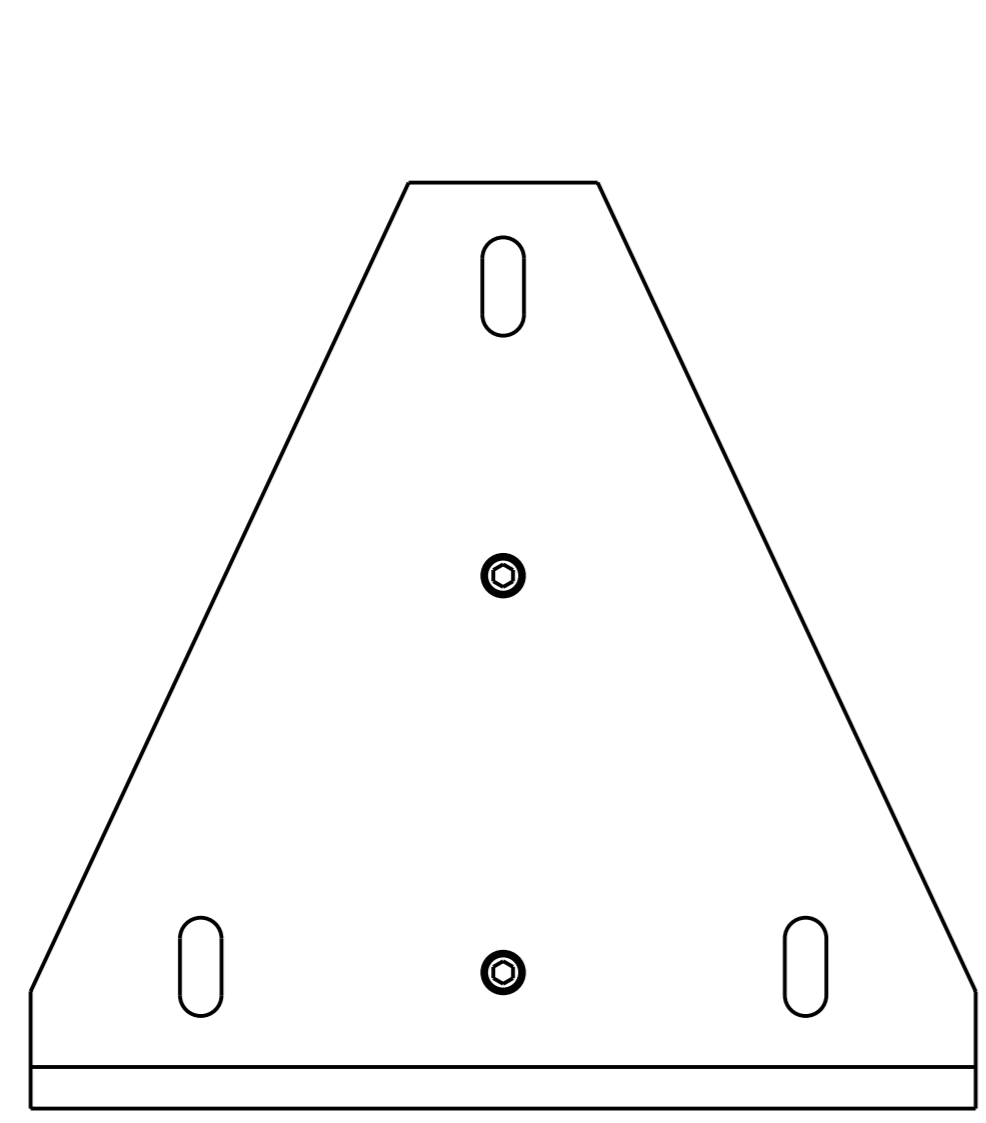


N°	DRAWING NUMBER	ISSUE	TITLE	QTY	REMARKS
1	KE-0104-331	A	M2 MOUNT BASE	1	
2	KE-0104-332	A	M2 MOUNT FRONT	1	
3	KE-0104-333	A	M2 MOUNT WEB	1	
4		A	OPTICAL_BASE	1	
5		B	MIRROR M2, TELESCOPE SIMULATOR	1	
6			CAP HEAD SCREW M6 x 25 LONG	7	



A I-KE-0104-330-A

SPIRE MASTER DRAWING	
PROJECT MEMBER	APPROVED
PROJECT MANAGER	
SYSTEM ENG	
ELECTRONICS ENG	
PA GROUP	
STRESS ENG	
OPTICAL ENG	
THERMAL ENG	
MECHANICAL ENG	

ISSUE	DATE	MOD. NO.	DRN. BY	CHKD.	APPD.	STATUS
A	12-Nov-01	.	T.R.F	J.S.L		MANF.
TOLERANCES UNLESS STATED			FINISH		ORIGINAL SCALE	
±0.2 mm			CLEAN		1:1	
±0.3 °			REMOVE ALL BURRS		DO NOT SCALE	
MATERIAL & SPEC. SEE DETAILS			SURFACE TEXTURE µm		0 50 mm	
			SEE DETAILS			
			✓ UNLESS STATED			
USED ON						©CLRC 1996
CENTRAL LABORATORY OF THE RESEARCH COUNCILS						
TITLE M2 MIRROR MOUNT ASSY						
SPIRE TELESCOPE SIMULATOR						
A I-KE-0104-330-A					1 OF 1	