

SPIRE INSTRUMENT

DETECTOR READOUT & CONTROL UNIT

SUBSYSTEM SPECIFICATION

SPIRE-SAP-PRJ-000461

	Name and Function	Date	Signature
Prepared by :	C.CARA - DRCU engineer	26/06/02	
Verified by :	J. FONTIGNIE - Electronics PA		
Approved by :	JL. AUGUERES Project Manager		

Document change record

Issue/Revision	Date	Modified pages
0.1	18/05/2000	All: document creation - Draft
0.2	14/06/2000	All
0.3	19/06/2000	§4.2.2.1 - §4.2.2.2 - §4.2.2.3: values added/modified
0.4	21/06/2000	§4.2.4.2: table updated according to IID-A 0.3 §10: chapter inserted
0.5	15/12/2000	Document structure deeply modified
0.6	09/03/2001	§3.1.1 Text / figure updated All document: specifications are linked to upper level requirements 4.2.3.1. New table for thermometry channels Maximum allowed dissipated power table added New chapter 4.2.4 PSU Updated power budget table
0.7		Acronym list updated Figure 2.1-a updated SCU function list updated REQ-22 updated REQ-48 updated: list of frame compliant with ICD DCU HK parameters list updated
0.92	26/06/2002	§2.1 reference to EGSE & shutter removed / figure 2.1-a simplified §2.2 reference to Shutter removed §3.1.2 Board geometry updated §3.2 physical requirement updated according to ICD §3.3 updated according to ICD §4.1.1 added DCU-FUNC-05b §4.1.2 added MCU-FUNC-09b DRCU-REQ-30 table completed §4.2.3 DRCU-REQ-32 / DRCU-REQ-34 updated according to BDA-SSSD v3.0 §4.2.4.3 Power supplies table corrected §4.3.2 DRCU-REQ-53 table completed §4.3.4.3 Table corrected §4.4.2 Added PSU remote control signals §4.4.2 / DRCU-REQ-79 /DRCU-REQ-83 tables completed §4.4.3 tables updated/corrected §4.4.3 DRCU-REQ-88/89 updated cross reference to PCAL/SCAL ICD §4.4.4 DRCU_REQ-96 table corrected §4.5 Sec. Power lines table corrected §4.6.1 grounding scheme added §4.7.5 table corrected SPIRE INIT -> DRCU OFF §4.9.3 Added redundancy schemes §12 Model description table corrected §14 table updated

Distribution list

Jean-Louis AUGUÈRES	CEA	
Frederic PINSARD	CEA	
Ken KING	RAL	
Bruce SWINYARD	RAL	
Colin CUNNINGHAM	ROE	
Didier FERRAND	LAM	
Dominique POULIQUEN	LAM	
Patrick LEVACHER	LAM	
Jamie BOCK	JPL	
Jerry LILIENTHAL	JPL	
Riccardo CERULLI	IFSI	
Renato ORFEI	IFSI	
Goran OLOFSSON	SO	
Hans-Gustav FLOREN	SO	

List of Acronyms

ADC	Analog to Digital Converter
AMUX	Analog Multiplexer
BDA	Bolometer Detector Array
BSM	Beam Steering Mirror
DCE	Detector Control Electronics
DCU	Detector Control Unit
DMUX	Digital Multiplexer
DPU	Data Processing Unit
DRCU	Detector Readout & Control Unit
FPU	Focal Plane Unit
FTS	Fourier Transform Spectrometer
JFET	Junction Field Effect Transistor
LIA	Lock-in amplifier
LPF	Low Pass Filter
MCE	Mechanisms Control Electronics
MCU	Mechanisms Control Unit
NA	Not Applicable
OEP	Optical Encoder Preamplifier
PDU	Power Distribution Unit
PSU	Power Supply Unit
S/W	Software
SCE	Sub-system Control Electronics
SCU	Sub-system Control Unit
SMEC	Spectrometer Mechanism Control
SMPS	Switching Mode Power Supply
SNR	Signal over Noise Ratio
TBC	To Be Confirmed
TBD	To Be Defined
TBW	To Be Written
WIH	Warm Interconnect Harnesses

Table of contents

1.	INTRODUCTION	8
1.1.	PURPOSE	8
1.2.	SCOPE	8
1.3.	APPLICABLE DOCUMENTS	8
1.4.	REFERENCE DOCUMENTS.....	9
2.	GENERAL DESCRIPTION	10
2.1.	OVERVIEW	10
2.2.	OVERALL ARCHITECTURE.....	11
3.	PHYSICAL CHARACTERISTICS	12
3.1.	PHYSICAL DESCRIPTION	12
3.1.1.	<i>DRCU housing</i>	12
3.1.2.	<i>Board Geometry</i>	12
3.1.3.	<i>Back plane to module connectors</i>	14
3.2.	PHYSICAL REQUIREMENTS	14
3.2.1.	<i>Mass</i>	14
3.2.1.1.	DCU	14
3.2.1.2.	FCU	14
3.2.2.	<i>Dimension</i>	14
3.2.2.1.	DCU	14
3.2.2.2.	FCU	14
3.3.	POWER BUDGET ALLOCATION.....	15
3.3.1.	<i>DCU</i>	15
3.3.2.	<i>FCU</i>	15
4.	REQUIREMENTS	16
4.1.	OVERALL FUNCTIONAL DESCRIPTION.....	16
4.1.1.	<i>DCU Functions</i>	16
4.1.2.	<i>MCU Functions</i>	16
4.1.3.	<i>SCU Functions</i>	17
4.1.4.	<i>PSU Functions</i>	17
4.2.	DCU SUBSYSTEM	18
4.2.1.	<i>Subsystem General Description</i>	18
4.2.2.	<i>Functional requirement</i>	18
4.2.3.	<i>Performance Requirements</i>	21
4.2.4.	<i>Interface Requirements</i>	24
4.2.4.1.	Electrical interfaces	24
4.2.4.2.	Mechanical Interfaces	24
4.2.4.3.	Power supplies	24
4.2.5.	<i>Block Diagram</i>	27
4.3.	MCU.....	28
4.3.1.	<i>Subsystem General Description</i>	28
4.3.2.	<i>Functional Performances</i>	28
4.3.3.	<i>Performance requirements</i>	30
4.3.4.	<i>Interfaces Requirements</i>	30
4.3.4.1.	Electrical Interfaces	30
4.3.4.2.	Mechanical Interfaces	30
4.3.4.3.	Power supplies	30
4.4.	SCU	33
4.4.1.	<i>Subsystem General Description</i>	33

4.4.2.	<i>Functional Requirements</i>	34
4.4.3.	<i>Performance Requirements</i>	38
4.4.4.	<i>Interface Requirement</i>	41
4.4.4.1.	<i>Electrical Interfaces</i>	41
4.4.4.2.	<i>Mechanical Interfaces</i>	41
4.4.4.3.	<i>Power supplies</i>	41
4.4.5.	<i>SCU block diagram</i>	43
4.5.	PSU (DC/DC CONVERTERS UNIT)	44
4.5.1.1.	<i>Secondary power lines</i>	44
4.5.1.2.	<i>Primary power line</i>	44
4.6.	DRCU ELECTRICAL CONFIGURATION	45
4.6.1.	<i>DRCU Power Distribution Scheme</i>	45
4.6.2.	<i>Grounding and isolation</i>	46
4.6.3.	<i>Bonding</i>	46
4.7.	MODES OF OPERATION	48
4.7.1.	<i>General</i>	48
4.7.2.	<i>Off Mode</i>	48
4.7.3.	<i>Initialisation Mode</i>	48
4.7.4.	<i>Run Mode</i>	48
4.7.5.	<i>Relation to SPIRE Modes of Operation</i>	49
4.7.6.	<i>Transition between Modes of Operations</i>	49
4.8.	CROSS REFERENCE OF CAPABILITIES	50
4.9.	FAILURE DETECTION ISOLATION AND RECOVERY	50
4.9.1.	<i>Failure Detection</i>	50
4.9.2.	<i>Failure Isolation</i>	50
4.9.3.	<i>Redundancy</i>	50
5.	DRCU INTERFACES	51
5.1.	MECHANICAL INTERFACE	51
5.1.1.	<i>Coordinate system</i>	51
5.1.2.	<i>Functional requirements</i>	51
5.1.3.	<i>Design requirements</i>	51
5.2.	THERMAL INTERFACES	52
5.3.	ELECTRICAL INTERFACES	53
5.3.1.	<i>Interface with S/C</i>	53
5.3.2.	<i>Interface with DPU</i>	53
5.3.3.	<i>Interfaces with FPU</i>	53
5.3.4.	<i>Requirements</i>	53
5.3.4.1.	<i>Definition of EMC class</i>	54
5.3.4.2.	<i>Connectors Identification</i>	54
6.	EMC REQUIREMENTS	55
7.	ENVIRONMENTAL REQUIREMENTS	55
8.	RELIABILITY	55
9.	DESIGN AND CONSTRUCTION	55
10.	IDENTIFICATION AND LABELLING	55
11.	PRODUCT TREE	56
12.	MODEL CHARACTERISTICS AND DEFINITION	57
13.	PRECEDENCE	58

14.	UNIT REQUIREMENT VERIFICATION.....	59
15.	TRACE ABILITY MATRIX VERSUS SYSTEM REQUIREMENTS	63

1. Introduction

1.1. Purpose

The purpose of this document is to explicit the DRCU Specification in term of performances and design. However this document is voluntary limited to specification common to all the subsystem and especially for the MCU. In other words this means for that particular subsystem specific requirement will not be part of this document since this specifications are given by its Subsystems Specification Document. This document also includes requirement related to the integration of a given sub-system within a common unit or electrically linked with another DRCU sub-system.

1.2. Scope

The scope of this document comprises all the electronics functions included in the DRCU.

1.3. Applicable Documents

AD1	SPIRE Instrument Requirements Documents	SPIRE/RAL/N/0034	
AD3	FIRST/PLANCK Instrument Interface Document Part A	PT-IID-A-04624	
AD4	FIRST/PLANCK Instrument Interface Document Part B / Instrument SPIRE	SCI-PT-IIDB/SPIRE-02124	2.2 / 07/06/02
AD5	DRCU Interface Control Document	SAP-SPIRE-CCa-75-00	0.7 / 26/06/02
AD6	Component Selection, procurement, & Control for ESA Spacecraft & Associated Equipment.	PSS-01-60	
AD7	Material & Process Selection & Quality Control for ESA Spacecraft & Associated Equipment.	PSS-01-70	
AD8	De-rating Requirements & Application Rules for Electronic Components.		
AD9	Reliability Prediction for Electronic Equipment	MIL-HDBK-217	
AD10	SPIRE Instrument Command	SPIRE-RAL-DOC-000	
AD11	DPU Interface Control Document	SPIRE-IFS-PRJ-650	1.0 / 02/04/01
AD12	FIRST L-2 Radiation Environment	FT-04040	
AD13	DRCU/DPU ICD	SAP-SPIRE-CCa-75-00	0.7 / 26/06/02
AD18	Spectrometer Mirror Mechanism subsystem specifications	LAM-PJT-SPI-NOT-200002	
AD19	Beam Steering Mirror subsystem specification		0.8 / 12/10/01
AD20	BDA SSSD	SPIRE-JPL-PRJ-000456	3.0 / 06/09/01
AD21	Sorption cooler drive electronics specification	HSO-SBT-SP-015	0.1 / 15/10/01
AD22	PCAL ICD	HSO-CDF-ICD-013	2.0 / 06/02/02

AD23	SCAL ICD	HSO-CDF-ICD-011	2.0 / 06/02/02
AD24	Engineering Change Request	HR-SP-RAL-ECR-023	23/11/2001

1.4. Reference Documents

RD1	Operating Modes for the SPIRE Instrument	SPIRE-RAL-DOC-768	0.1 / 24/07/01
RD6	DPU Subsystem Specifications		

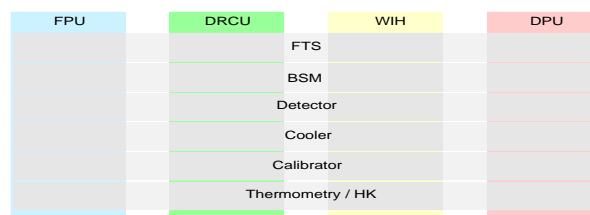
2. General description

2.1. Overview

The DRCU is an electronic unit housed into two boxes: the FCU and the DCU connected between the FPU and the DPU. This unit along with the DPU and the WIH constitutes the system called “SPIRE Warm Electronics”. The DRCU includes the front-end electronics of the following sub-systems:

- Detector,
- Fourier Transform Spectrometer,
- Beam Steering Mirror,
- Cooler,
- Calibrators,
- Thermometry & analogue Housekeeping,

each sub-system being associated with “cold elements” located in the FPU and high-level control functions located in the DPU OBS.



The DRCU comprises 4 physical sub-units, which are:

- the DCU includes the Detector Control Electronics
- the MCU includes the Mechanisms (FTS+BSM) Control Electronics
- the SCU includes the Sub-system Control Electronics
- the PSU includes multi-outputs SMPS DC/DC converters

In order to limit the mechanical properties of this unit it is now divided into two boxes, which are respectively the DCU and the FCU including the MCU, the SCU and PSU.

While DCU and MCU units correspond to single FPU functions respectively the bolometer focal planes and the mechanisms, the SCU function is manifold. It is in charge of interfacing FPU sub-systems such as the cooler heaters, the calibrators and the thermometry sensors plus housekeeping parameters with the DPU through digital interfaces. This function covers the sensors biasing, the signal amplification and the digitisation of the analog parameters. The SCU is also in charge of controlling the PSU by means of signal lines for remotely controlled S/S supplying. In addition the PSU secondary line voltages are monitored at supplied level S/S for safety purpose; the corresponding digitised housekeeping data are transmitted on demand to the DPU.

As illustrated below the DRCU has electrical interfaces with:

- the FPU
- the DPU
- the PDU (S/C)

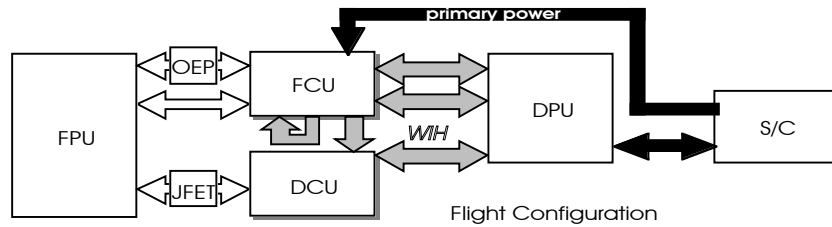


Figure 2.1-a

2.2. Overall Architecture

A complete DRCU block diagram including the various interfaces and the elementary units as well is shown figure 2.2-a

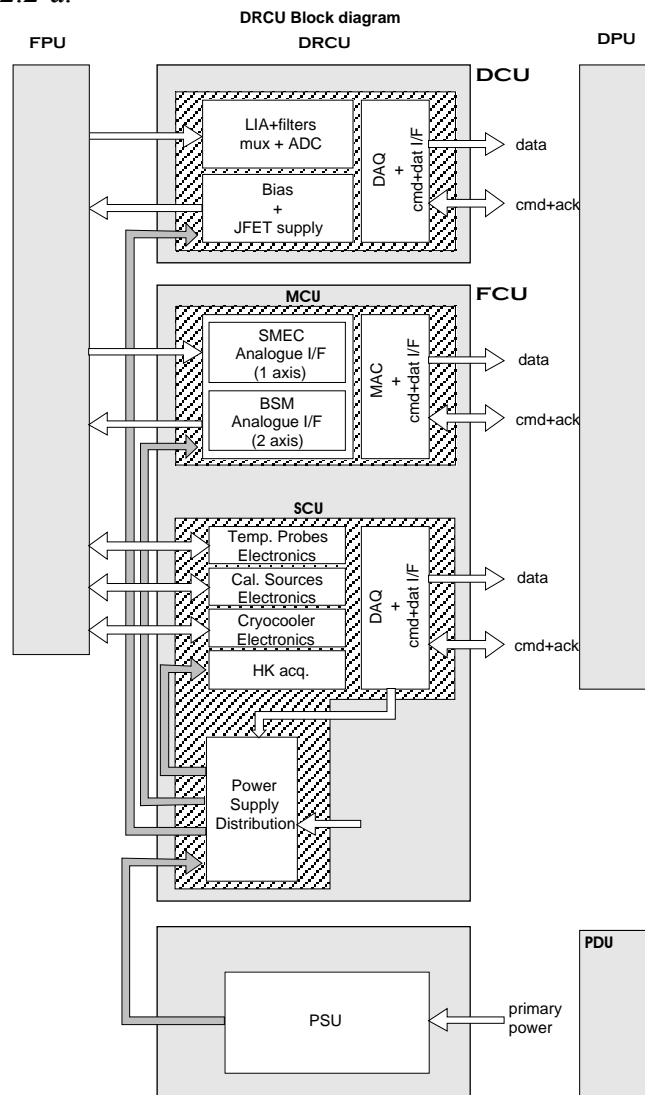


Figure 2.2-a - DRCU block diagram

3. Physical Characteristics

3.1. Physical description

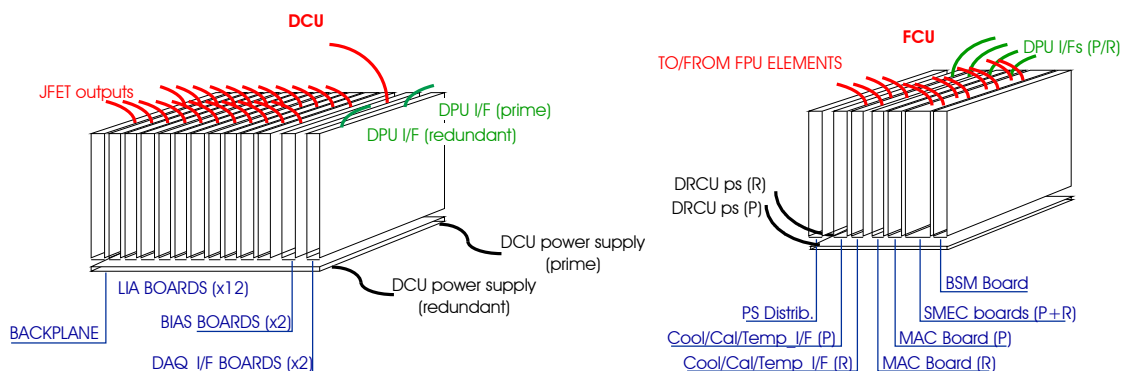
3.1.1. DRCU housing

Two boxes include all the electronics modules of the 4 DRCU sub-units: respectively the DCU, the MCU, the SCU and the PSU. While one specific box is dedicated to the DCU only, the second one called FCU includes the MCU, the SCU and the PSU.

Internally back-planes printed circuit boards insure sub-unit individual module connections. Since no electrical interface is foreseen, except for secondary power distribution, between the various sub-unit no connection between these back-planes is required: a sub-unit is fully testable independently from the two other sub-units.

Dedicated external harnesses connected to the distribution module (part of the SCU) achieve secondary power routing to the DCU and the MCU.

Practically the PSU is housed into a specific box having and located underneath the FCU box and then having the same footprint. However the DRCU delivery will be done after PSU and FCU mechanical and electrical lower level integration.



3.1.2. Board Geometry

The board geometry is defined commonly to all the sub-systems and sub-unit (except the back planes). This common board design includes stiffeners and defines printed circuit board circuit size, back connector position, front panel geometry and board locks.

This design defines the standard DRCU board geometry. However adaptation of this geometry could be applied in specific cases: i.e. for the distribution board. The geometry allows placement of SMD parts on the both sides of the board.

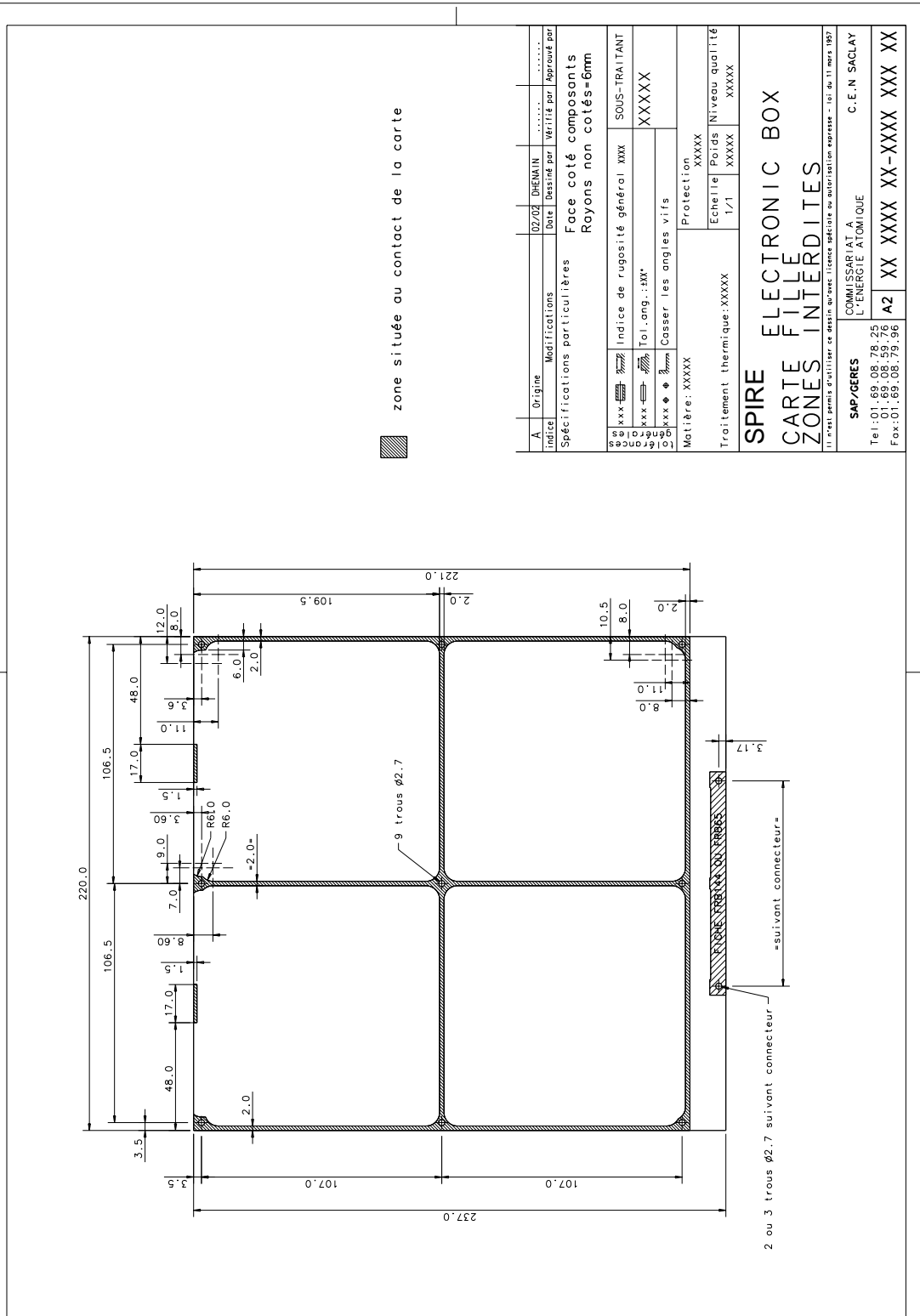


Figure 3.1-a Board Common Geometry Overview

3.1.3. Back plane to module connectors

DRCU REQ-1 . : The electrical interface between the back planes and the modules shall be based on multipoint connectors type HE 801/808 (manufacturer: FRB CONNECTRON)

3.2. Physical requirements

3.2.1. Mass

The DRCU unit total mass shall be compliant with the allocated mass of 30.5 kg as specified by AD4 (current issue).

3.2.1.1. DCU

DRCU REQ-2 . : The DCU mass shall be compliant with the allocation specified by AD4 (current issue), which is of 15.5 kg.

3.2.1.2. FCU

DRCU REQ-3 . : The FCU mass shall be compliant with the allocation specified by AD4 (current issue), which is of 15 kg

3.2.2. Dimension

3.2.2.1. DCU

DRCU REQ-7 . : The dimension of the DCU shall be compliant with the envelope given in the DRCU ICD as reminded below:

- 490 mm x 285 mm (footprint)
- 305 mm (height)

3.2.2.2. FCU

DRCU REQ-8 . : The dimension of the FCU shall be compliant with the envelope given in the DRCU ICD as reminded below:

- 370 mm x 325 mm (footprint)
- 336 mm (height)

3.3. Power Budget Allocation

3.3.1. DCU

DRCU REQ-10.: The DCU maximum power dissipation shall be compliant with the value given in the DRCU ICD (AD5).

3.3.2. FCU

DRCU REQ-11.: The DCU maximum power dissipation shall be compliant with the value given in the DRCU ICD (AD5).

4. Requirements

4.1. Overall Functional Description

4.1.1. DCU Functions

The **D**etector **C**ontrol **U**nit supports all the functions related to the detector operation. This covers:

- the detector bias generation DCU-FUNC-01
- the bolometer analog signal processing DCU-FUNC-02
- the bolometer signal digitisation DCU-FUNC-03
- the clock/timing generation DCU-FUNC-04
- the JFET box amplifier biasing DCU-FUNC-05
- the JFET box heaters biasing DCU-FUNC-05b

- the low level command decoding DCU-FUNC-06
- the low level command acknowledgement DCU-FUNC-07
- the relative timestamp generation DCU-FUNC-08
- the housekeeping parameters digitisation DCU-FUNC-09
- the digitised data (bolometers + hk param. + rel. timestamp) transfer DCU-FUNC-10

4.1.2. MCU Functions

The **M**echanisms **C**ontrol **U**nit supports all the functions related to the FTS and Beam Steering mirrors operation. This covers:

- the FTS mirror position motion + speed control MCU-FUNC-01
- the FTS mirror position measurement MCU-FUNC-02
- the FTS mirror actuator powering MCU-FUNC-03
- the FTS mirror position digitisation MCU-FUNC-04
- the FTS mirror actuator current digitisation MCU-FUNC-05

- the BSM positions control MCU-FUNC-06
- the BSM positions (2 axis) measurement MCU-FUNC-07
- the BSM actuators (2 axis) powering MCU-FUNC-08
- the BSM actuator current digitisation MCU-FUNC-09

- the launch latch actuators powering MCU-FUNC-09b
- the low level command decoding MCU-FUNC-10
- the low level command acknowledgement MCU-FUNC-11
- the relative timestamp generation MCU-FUNC-12
- the housekeeping parameters digitisation MCU-FUNC-13
- the digitised data (position + currents + hsk + rel. timestamp) transfer MCU-FUNC-14

4.1.3. SCU Functions

The Sub-system Control Unit supports various functions essential to achieve full performances of the detector:

- to bias the cryo-cooler recycling heater, SCU-FUNC-01
- to bias the cryo-cooler gas switches heaters, SCU-FUNC-02
- to bias a heater on the cooler cold tip SCU-FUNC-03
- to bias the calibrators heaters, SCU-FUNC-04
- to acquire the calibrators (spectrometer only) temperatures SCU-FUNC-05

It also implements the following additional functions:

- to acquire cold instrument temperature channels, SCU-FUNC-06
- to acquire analogue housekeeping channels, SCU-FUNC-07

- to decode the low level commands, SCU-FUNC-08
- to respond to a low level command, SCU-FUNC-09
- to generate the relative timestamp, SCU-FUNC-10
- to digitise the acquired analog parameters, SCU-FUNC-11
- to transfer the digitised data (data + hsk + relative timestamp) SCU-FUNC-12

- to command on/off switching of sub-unit power supplies, SCU-FUNC-13

4.1.4. PSU Functions

Finally the PSU sub-system is in charge of:

- to interface with S/C power bus according to AD3 PSU_FUNC-01
- to generate sub-unit secondary power supply generation, PSU-FUNC-02
- to protect sub-units & PSU built-in DC/DC converters from over-current PSU-FUNC-03

4.2. DCU Subsystem

4.2.1. Subsystem General Description

The DCU is divided into 3 functional entities:

- the Analogue Electronics module which comprises lock-in amplifiers and analogue multiplexers,
- the Bias Generator and JFET power supply generator,
- the Data Acquisition and DPU Interface Module.

An analogue module comprises analogue channels for processing the incoming signals generated by the cold electronics (bolometers + JFET followers) based on lock-in amplifiers (or PSD). After demodulation and low path filtering the signals are applied to differential multiplexers before being digitised by the Data Acquisition and Interface module.

This module is in charge of the generation of sine biases for bolometers and provides JFET and JFET heater power supply.

4.2.2. Functional requirement

DRCU REQ-15.: The analogue electronics module shall have the following number of channels:

Number of channel	Channel Type	Comments
48	P-LW	Include 3 T/C channels
96	P-MW	
144	P-SW	
24	S-LW	
48	S-SW	

DRCU REQ-16.: In order to avoid the loss of the totality of the analogue channels and/or ADC in the case a short circuit occurs in one of the electronic parts, channel subset have to be defined and individually protected by current limiters.

DRCU REQ-17.: The bias electronics module shall have the following number of channels:

Channel Type	Number of Channel	Origin
Photometer BDA	3	BDA-DRCU-05
Spectrometer BDA	2	BDA-DRCU-05
Temperature control	1	BDA-DRCU-05

DRCU REQ-18.: Each bias channel shall be individually adjustable by means of a low-level command in term of amplitude only (BDA-DRCU-05).

DRCU REQ-19.: The frequency of all the sine biases of a set (photometer / spectrometer / temperature) shall be adjustable by means of a low-level command (BDA-DRCU-05).

DRCU REQ-20.: The Bias module shall provide DC JFET bias and DC JFET heater bias according to the following channel number:

Channel Type	Number of channel	Origin
JFET bias	15	BDA-DRCU-06
JFET heater bias	2	BDA-DRCU-10

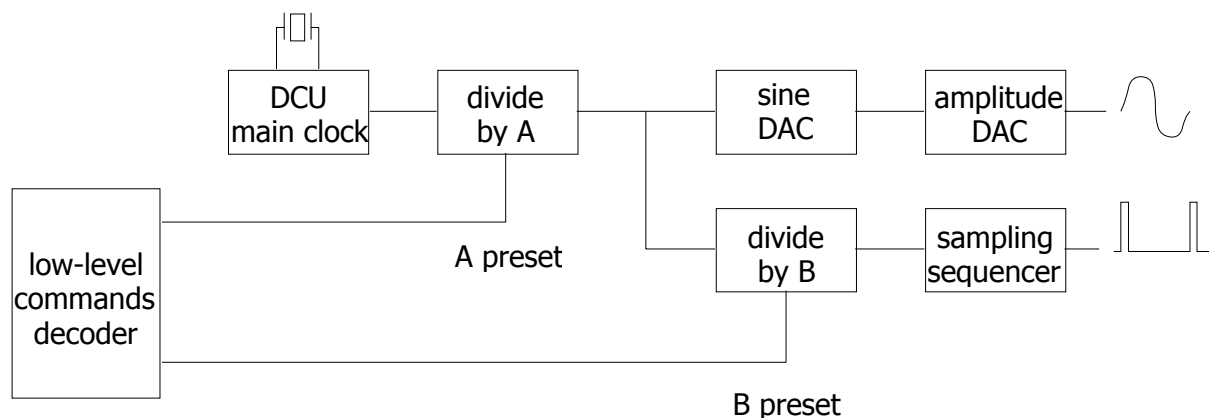
DRCU REQ-21.: Each JFET (both Vdd and Vss) bias channel shall be individually commandable ON/OFF by means of low-level commands (BDA-DRCU-09).

DRCU REQ-22.: Each JFET heater bias shall be commandable ON/OFF independently by means of low-level commands.

DRCU REQ-23.: The DCU shall implement two electrically and physically independent BIAS modules (1 main + 1 redundant).

DRCU REQ-24.: The DCU shall implement two electrically and physically independent DAQ_IF modules (1 main + 1 redundant).

DRCU REQ-25.: The data transfer rate from the DAQ_IF module shall be derived from the bias frequency by division by any integer between 1 and 128 (as illustrated bellow). However the transfer rate shall not exceed 150 Hz for both photometer and spectrometer.



DRCU REQ-26.: The number of blocks to be transferred successively shall be selectable by means of a DCU low-level command. The number of packets to be transferred successively shall be continuous or selectable between 1 and 16.

DRCU REQ-27.: The DCU shall include temperature measurement of each of its printed circuit board (except back plane) at location where hot spot or high power dissipation parts are identified.

DRCU REQ-28.: Temperature measurement shall be done using an AD590 probe in F02 package glued on the printed circuit board.

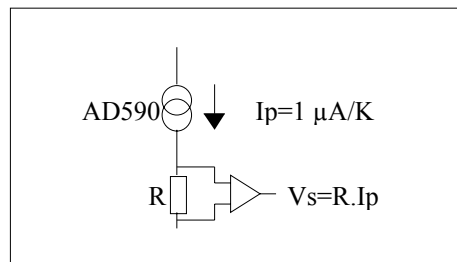


Figure 4.2.1.1.3-a Unit internal temperature monitoring

DRCU REQ-29.: The temperature measurement shall have the following performances:

Temperature Range	-40°C to 88 °C
Temperature resolution	0.5°C

DRCU REQ-30.: The DCU shall report the following housekeeping parameters when requested by low-level commands:

Parameter Name	Word size (bits)	Comments
T/C 1	16	Offset = 0
T/C 2	16	Offset = 0
T/C 3	16	Offset = 0
BIAS BDA 1	8	Ph. Bolo. Bias 1 ampl. setting
BIAS BDA 2	8	Ph. Bolo. Bias 2 ampl. setting
BIAS BDA 3	8	Ph. Bolo. Bias 3 amplitude setting
BIAS BDA 4	8	Sp. Bolo. Bias 1 amplitude setting
BIAS BDA 5	8	Sp. Bolo. Bias 2 amplitude setting
BIAS TEMP 5	8	T/C. Bias 1 ampl. Setting
F BIAS PH/TC	8	Ph. & T/C Bias Freq div. setting
F BIAS SP	8	Sp. Bias Freq div. setting
JFET_VSS_PLW_1	8	PLW_1 JFET VSS setting
JFET_VSS_PLW_2	8	PLW_2 JFET VSS setting
JFET_VSS_PMW_1	8	PMW_1 JFET VSS setting
JFET_VSS_PMW_2	8	PMW_2 JFET VSS setting
JFET_VSS_PMW_3	8	PMW_3 JFET VSS setting
JFET_VSS_PMW_4	8	PMW_4 JFET VSS setting
JFET_VSS_PSW_1	8	PSW_1 JFET VSS setting

JFET_VSS_PSW_2	8	PSW_2 JFET VSS setting
JFET_VSS_PSW_3	8	PSW_3 JFET VSS setting
JFET_VSS_PSW_4	8	PSW_4 JFET VSS setting
JFET_VSS_PSW_5	8	PSW_5 JFET VSS setting
JFET_VSS_PSW_6	8	PSW_6 JFET VSS setting
JFET_VSS_SLW_1	8	SLW_1 JFET VSS setting
JFET_VSS_SSW_1	8	SSW_1 JFET VSS setting
JFET_VSS_SSW_2	8	SSW_2 JFET VSS setting
PH_HEATER_PWR	8	Spectrometer JFET heater setting
SP_HEATER_PWR	8	Photometer JFET heater setting
LIA_B1_TEMP	8	LIA board 1 temperature
LIA_B2_TEMP	8	LIA board 2 temperature
LIA_B3_TEMP	8	LIA board 3 temperature
LIA_B4_TEMP	8	LIA board 4 temperature
LIA_B5_TEMP	8	LIA board 5 temperature
LIA_B6_TEMP	8	LIA board 6 temperature
LIA_B7_TEMP	8	LIA board 7 temperature
LIA_B8_TEMP	8	LIA board 8 temperature
LIA_B9_TEMP	8	LIA board 9 temperature
LIA_B10_TEMP	8	LIA board 10 temperature
LIA_B11_TEMP	8	LIA board 11 temperature
LIA_B12_TEMP	8	LIA board 12 temperature
BIAS_TEMP	8	BIAS board temperature
DAQ_I/F_TEMP	8	DAQ_I/F board temperature
PWR_STATUS		LIA 1 to LIA12 +5V/+9V/-9V status

4.2.3. Performance Requirements

DRCU REQ-31.: The conducted RF current on all lines shall be less than tbd rms in the range 0 to 10 GHz (BDA-DRCU-23).

DRCU REQ-32.: The analogue module shall have the following characteristics:

Input Signal AC amplitude	≤ 11 mVrms ≤ 17 mVrms $\leq V_{bias}$	Photometer Spectrometer Functional	BDA-DRCU-05
Input Signal DC level	≤ 5 mV	JFET V_{OSmax}	
AC gain	375 ± 0.5 % 265 ± 0.5 %	for photometer for spectrometer	
Common mode offset	≤ 1 V	DC	
Cross talk (channel to channel)	< 0.05 %		BDA-DRCU-25
Noise allocation	< 7 nVrms/rt(Hz)	0.05 to 25 Hz ¹	BDA-DRCU-01 BDA-DRCU-18
Input capacitance	< 100 pF		BDA-DRCU-03
Input impedance	> 1 M Ω	@ $V_{CM} = 1$	BDA-DRCU-04
Base band signal	0.03 to 5 ± 1 %	Photometer	BDA-DRCU-13

bandwidth (Hz)	0.03 to 25 ± 1 % 0.03 to 5 ± 1%	Spectrometer Thermometry	BDA-DRCU-14
Pre PSD BPF bandwidth	TBD		
Post PSD LPF order	4 (Bessel type) 6 (Bessel type)	Photometer Spectrometer	HR-SP-RAL-ECR-001
Common mode rejection	- 60 dB	50-300 Hz	BDA-DRCU-11
Channel cross talk	≤ 0.05%		BDA-DRCU-25
Interface Type	balanced signal + shield		

¹: for 10 mVrms AC/5 mV DC with 1V DC common mode voltage and bias frequency in the range 50 to 300 Hz.

DRCU REQ-33.: Noise performance shall be maintained under a warm electronics thermal drift of 1 K / hour.

DRCU REQ-34.: The Bias module shall provide sine bolometer bias according to the following tables:

- photometer BDA bias channels

Max amplitude	0 - 200 mV rms		BDA-DRCU-05
Frequency	50 to 300 Hz	in 5 ± 0.1 Hz steps	
Amplitude resolution	1/256		
Load impedance	Rbolo + Cwire	> 60 kΩ // < 1 nF	
Interface Type	balanced signal		
Bias Type	Sine wave		
Noise	< 20 nHz/√Hz	in band 50-300 Hz	BDA-DRCU-05
Sync. Signal phase	0 to 360°	in 256 steps	

- spectrometer BDA bias channels

Modulation amplitude	0 - 200 mVrms		BDA-DRCU-05
Modulation frequency	50 to 300 Hz	in 5 ± 0.1 Hz steps	
Amplitude resolution	1/256		
Load impedance	Rbolo + Cwire	> 200 kΩ // < 1 nF	
Interface Type	balanced signal		
Bias Type	Sine wave		
Noise	< 20 nHz/√Hz	in band 50-300 Hz	BDA-DRCU-05
Sync. Signal phase	0 to 360°	in 256 steps	

- temperature readout bias channels

Modulation amplitude	0 - 500 mVrms	Common with photo channels	BDA-DRCU-05
Modulation frequency	50 to 300 Hz		
Amplitude resolution	1/256		
Load impedance	Rbolo + Cwire	> 3 MΩ // < 1 nF	
Interface Type	balanced signal		
Bias Type	Sine Wave		
Noise	< 20 nHz/√Hz	in band 50-300 Hz	BDA-DRCU-05
Sync. Signal phase	0 to 360°	Common with photo channels	

DRCU REQ-35.: Each DC JFET bias channel shall have the following performances:

Interface Type	Shielded twisted pair		
Bias Type	DC		
Nominal Voltage	-5v ≤ Vss ≤ 0v 1.5v ≤ Vdd ≤ 4v	1/256 resolution adjustable by design	BDA-DRCU-06 BDA-DRCU-07
Current range	1 mA to 5 mA		BDA-DRCU-08
Voltage Noise	Vn < 1 μV/√Hz ¹ Vn < 0.3 μV/√Hz ¹	for Vss for Vdd	
Voltage stability (dV/V)	< 500 ppm/K		BDA-DRCU-21
Load impedance	R + C	1kΩ // < 1 nF	

¹: bandwidth: 30 to 300 Hz / measured at DCU BIAS connectors level

DRCU REQ-36.: When switching on the JFET biases (Vss & Vdd), the DCU shall not overshoot of more than 10% of the nominal voltage (t < 10 ms).

DRCU REQ-37.: The Bias module shall provide DC JFET heater bias according to the following table:

Interface Type	Double wired		BDA-DRCU-10
Nominal Voltage	0 to 5 V 0 to 3 V	for Photometer for Spectrometer	
Current range	25 mA 10 mA	for Photometer for Spectrometer	

DRCU REQ-38.: The Data Acquisition Module shall have the following characteristics:

ADC resolution	16 bits		BDA-DRCU-12
Total acquisition time	≤ 6.2 ms ≤ 1.2 ms	for photometer for spectrometer	1/10 of sampling rate for limited smearing

Input Signal DC level	$\leq 5 \text{ V}$		
DC offset resolution	4 bits		
Input signal AC	$\leq 0.7 \text{ V rms}$ $\leq 1.0 \text{ V rms}$	for photometer for spectrometer	

DRCU REQ-39 . : The DAQ_I/F module shall support the following data frames:

- Photo. Array Subset (P-LW, P-MW, P-SW)
- Spectro. Array Subset (S-LW, S-SW)
- Photo. Full Array
- Spectro. Full Array
- Test Pattern
- Photo. Offset table
- Spectro Offset table

See AD13-AD11 for full descriptions.

4.2.4. Interface Requirements

4.2.4.1. Electrical interfaces

DRCU REQ-40 . : Both DCU data and command interfaces shall be compliant with AD11.

4.2.4.2. Mechanical Interfaces

DRCU REQ-41 . : The DCU electronics shall be implemented into 16 DRCU boards (220 x 237 mm PCB) as described in §3.1.2. Total allocated volume is then 237 x 220 x 440.

DRCU REQ-42 . : The geometry of the back plane of the DCU shall be compliant with the dimensions given by the figure 4.2-a.

4.2.4.3. Power supplies

DRCU REQ-43 . : The DCU electronics shall operate with the following set of supplies:

Module	Supply name	Supply voltage	Max. current	Min. current
LIA_P	DCU_LIA_P_A_P9	+12 -0.5/+0 V	1.65 A	max -20%
	DCU_LIA_P_A_N9	-12 -0.5/+0 V	1.61 A	“
	DCU_LIA_P_D_P5	+5.2 \pm 0.1V	0.65 A	“
LIA_S	DCU_LIA_S_A_P9	+12 -0.5/+0 V	0.51 A	“
	DCU_LIA_S_A_N9	-12 -0.5/+0 V	0.50 A	“
	DCU_LIA_S_D_P5	+5.2 \pm 0.1V	0.22 A	“

DAQ_I/F-BIAS_P-BIAS-S	DCU_DAQ_P9	+9 ± 0.1V	0.47 A	“
	DCU_DAQ_N9	-9 ± 0.1V	0.42 A	“
	DCU_DAQ_P5	+ 5.2 ± 0.1 V	0.60 A	“
Allocated average power	48.54 W			

DRCU REQ-44 . : When powered inrush current shall be limited by the DCU according to the following limits:

TDB - from PSU specification document.

DRCU REQ-45 . : The DCU shall provide proper supply line filtering to restrict the conducted emissivity as specified bellow:

TDB - from PSU specification document.

Mechanical drawing to be inserted after correction (FRB KNC144 -> KMC144)

Figure 4.2-a DCU back plane geometry

4.2.5. Block Diagram

A block diagram is shown for information in the next figure.

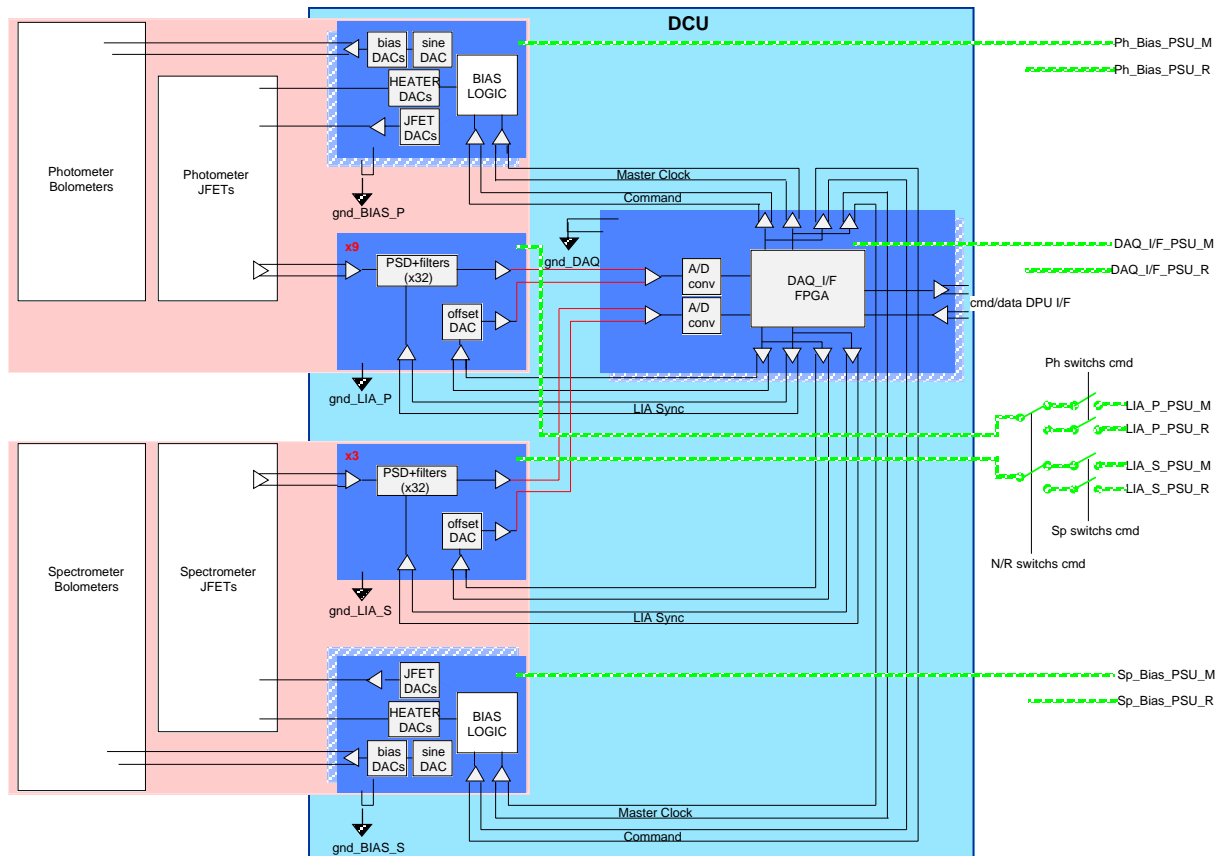


Figure 4.2.-b - DCU block diagram

4.3. MCU

The MCU is divided into 3 functional entities:

- the MAC Module,
- the SMEC Module,
- the BSM Module.

4.3.1. Subsystem General Description

The MAC module is in charge of FTS mirror motion control and Beam Steering Mirror position controls (2 axis). A S/W running on a DSP based embedded computer executes the digital servo loop.

The MAC module interfaces with the SMEC and BSM module by means of analogue signals: ADC and DAC are located on the MAC module.

The MAC includes also an interface circuit to transfer mechanism relative data and housekeeping as well as to receive low-level commands from the DPU.

The SMEC supports the analogue functions required to control the FTS mechanism motion. It implements power amplifiers to drive the translation mirror and the launch latch actuators, sensors (position, current) amplifier, LVDT biasing and signal conditioning, position sensors LED & photodiode biasing and signal conditioning, ...

All “high level” input or output analogue signals are interfacing to the converters (A to D and D to A) of the MAC module.

4.3.2. Functional Performances

DRCU REQ-46 . : Both data and command interfaces shall be compliant with AD11.

DRCU REQ-47 . : The MCU shall implement two electrically independent MAC Modules (1 prime + 1 redundant).

DRCU REQ-48 . : The MCU shall transfer the following data formats:

- Spectrometer,
- Steering Mirror,
- Trace.

DRCU REQ-49 . : The number of data blocks to be transferred successively shall be selectable by means of a MCU low-level command. The number of packets to be transferred successively shall be continuous or selectable between 1 and 16.

DRCU REQ-50. : The MCU shall include temperature measurement of each of its printed circuit board (except back plane) at location where hot spot or high power dissipation parts are identified.

DRCU REQ-51. : Temperature measurement shall be done using an AD590 probe in F02 package glued on the printed circuit board.

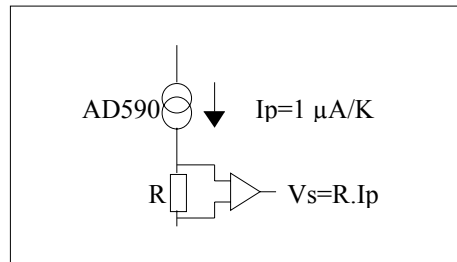


Figure 4.3-a Unit internal temperature monitoring

DRCU REQ-52. : The temperature measurement shall have the following performances:

Temperature Range	-40°C to 88 °C
Temperature resolution	0.5°C

DRCU REQ-53. : The MCU shall report at least the following housekeeping parameters when requested by low-level commands:

Parameter Name	Word size (bits)	Comments
MAC_TEMP	8	MAC board temperature
SMEC_TEMP	“	SMEC board temperature
BSM_TEMP	“	BSM board temperature
MAC_STATUS	“	Status word of MAC electronics
MCU_DIG_P5	“	Digital power supply voltage
MCU_P15	“	Positive analog power supply voltage
MCU_N15	“	Nositive analog power supply voltage
MCU_DRV_P13	“	Positive drivers power supply voltage (internal)
MCU_DRV_N13	“	Negative drivers power supply voltage (internal)

DRCU REQ-54. : The analogue channels (for sub-systems supply voltage reporting) shall have the following characteristics:

Number of channel	5
Voltage range	≥ nominal voltage + 20 %
Voltage resolution	1 %

DRCU REQ-55.: The MCU shall implement two electrically independent SMEC electronics (1 main + 1 redundant) each connected to a MAC (without cross-strapping) and to a set of actuators/sensor located in the FPU.

DRCU REQ-56.: The MCU shall implement two electrically independent BSM electronics (1 main + 1 redundant) each connected to a MAC (without cross-strapping) and to a set of actuators/sensor located in the FPU.

4.3.3. Performance requirements

The MCU performance requirements are excluded from the scope of this document. Those specific requirements will be found in AD18 and AD19.

4.3.4. Interfaces Requirements

4.3.4.1. Electrical Interfaces

DRCU REQ-57.: The data packet transmitted to the DPU shall be compliant with definition given in AD11 (ICD).

4.3.4.2. Mechanical Interfaces

DRCU REQ-58.: The MCU electronics shall be implemented into 5 DRCU boards (220 x 237 mm PCB) as described §3.1.2. Total allocated volume is then 237 x 220 x 137.5 (dimensions in millimetres).

DRCU REQ-59.: The geometry of the back plane of the DCU shall be compliant with the dimensions given by the figure 4.3-b.

DRCU REQ-60.: The mass allocation for the MCU elements (daughter boards + back plane) is 3.445 kg.

4.3.4.3. Power supplies

DRCU REQ-61.: The MCU electronics shall operate with the following set of supplies and the associated maximum average currents:

Supply name	Supply voltage	Max. current	Min. current
MCU_DIG_P5	5.2 ± 0.2V	2.6 A	1.6 A
MCU_P15	+15 ± 0.5V	0.47 A	0.22 A
MCU_N15	-15 ± 0.5V	0.42 A	0.18 A
Allocated average power	21.15 W		

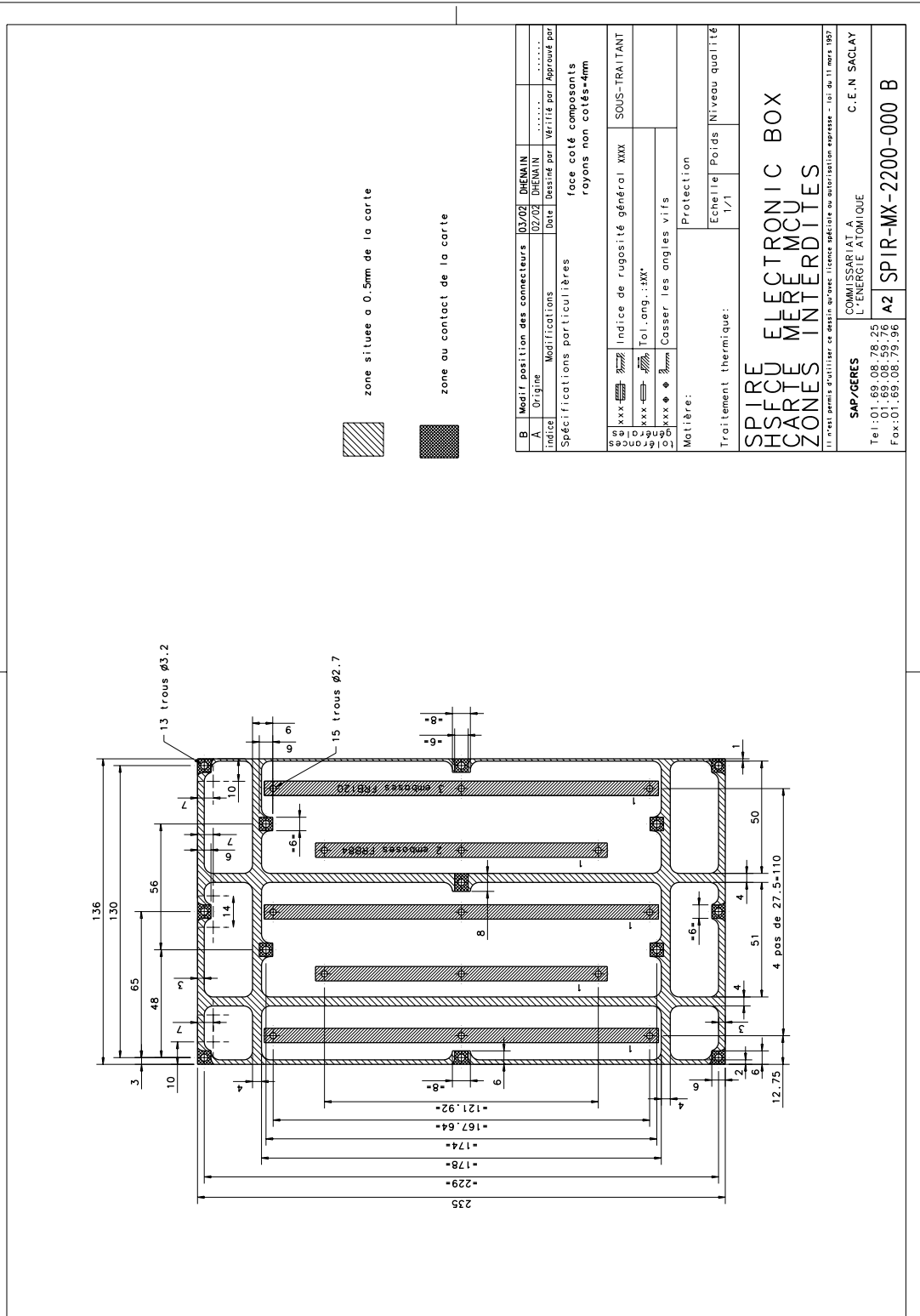


Figure 4.3-b MCU back plane geometry

DRCU REQ-62 . : When powered inrush current shall be limited by the MCU according to the following limits:

TDB - from PSU specification document.

DRCU REQ-63 . : The MCU shall provide proper supply line filtering to restrict the conducted emissivity as specified bellow:

TDB - from PSU specification document.

4.4. SCU

4.4.1. Subsystem General Description

The photometer calibrator consists of a heater mounted in an integrating cavity on the BSM structure. The SCU has to bias this heater with a variable amplitude and frequency waveform.

The spectrometer calibrator consists of a heater mounted on blackened plate associated with a second heater mounted as in the photometer calibrator. The SCU has to supply those heaters with a variable amplitude bias and to monitor the blackened plate temperature (already included in the “Thermometry” sub-system).

The cooler consists of an evaporator filled with helium 3. After full evaporation the gas has to be pumped by active charcoal heated by a resistor. Additional gas switches enable to connect / disconnect the cooler with the super fluid helium tank.

In addition to the temperature monitoring of FPU elements the SCU have to monitor warm electronics analogue parameters; those parameters are:

- SCU supply voltages
- SCU & PSU DC/DC converter internal temperature channels (see §4.2.1.1.3)

4.4.2. Functional Requirements

DRCU REQ-64.: The SCU shall implement totally electrically independent main and redundant thermometry channels according to the numbers given by the table 4.2.3.1-a.

Number of channels	16 standards +1 subK	Prime channels
	16 standards +1 subK	Redundant channels
Interface type	4-wire + shield	None connected to ground except shield - 2 wires for bias - 2 wires for sense

Table 4.4-a Thermometry channels summary

DRCU REQ-65.: Temperature probe bias shall be individually switched on/off by a low level command.

DRCU REQ-66.: The SCU shall have two independent photometer/spectrometer calibrator interfaces and associated electronics: 1 for the main configuration + 1 for the redundant configuration (IRD-CALP-R15).

DRCU REQ-67.: Calibrator bias current shall be controlled by a low-level command.

DRCU REQ-68.: Both voltage and current of the photometer/spectrometer calibrators shall be monitored by the SCU and transmitted to the DPU after digitisation.

DRCU REQ-69.: The SCU is not required to store the calibrator current waveform. Waveforms are generated step by step by the DPU S/W by sending low-level commands regularly (with requirement on the timing accuracy).

DRCU REQ-70.: The SCU shall have two independent cooler heaters interfaces and associated electronics: 1 for the main configuration + 1 for the redundant configuration.

DRCU REQ-71.: Cryo-cooler heaters currents shall be selectable with a resolution of 1/4096 except for the thermal strap heater w.r.t. the maximum power by independent low-level commands.

DRCU REQ-72.: Thermal strap heaters power shall be selectable with a resolution of 1/256 w.r.t. the maximum power by an independent low-level command.

DRCU REQ-73.: The SCU shall feature 3 bi-level commands for PSU converter group remote control commands. The signal shall be active high and shall drive a minimum current of 1 mA.

Driver voltage	CMOS level
Driver current	-
Signal type	Level sensitive: 0 = off 1 = on

The following table lists those remote commands:

Group Name	Corresponding Functions
DCU_LIA_P	Photometer analogue electronics
DCU_LIA_S	Spectrometer analogue electronics
MCU	All MCU functions

DRCU REQ-74 . : PSU remote commands status shall be configurable by means of SCU low-level commands except for nominal / redundant switching.

DRCU REQ-75 . : The SCU shall implement two electrically independent DPU Interface modules (1 main + 1 redundant).

DRCU REQ-76 . : The interface electronics shall transfer fixed size data blocks to the DPU via the fast data interface according to AD11.

DRCU REQ-77 . : The number of block to be transferred successively shall be selectable by means of a DCU low-level command. The number of packets to be transferred successively shall be continuous or selectable between 1 and 16.

DRCU REQ-78 . : The sampling rate of these data block shall be programmable by means of a low-level command between 0.3125 Hz and 80 Hz in 256 steps.

DRCU REQ-79 . : The interface module shall transfer the following data (24 words) within a single data format:

Parameter Name	Word size (bits)	Comments
T_PL0	16	Photometer detector box temperature
T_SL0	“	Spectrometer detector box temperature
T_SOB	“	SPIRE Optical Bench temperature
T_SUB	“	Optical sub-bench temperature
T_BAF	“	FPU input baffle temperature
T_FTSM	“	SMEC mechanism temperature
T_FTSS	“	SMEC/SOB I/F temperature
T_SCL4	“	Spectrometer calibrator 4% temperature
T_SCL2	“	Spectrometer calibrator 2% temperature
T_SCST	“	Spectrometer calibrator flange temperature
T_CEV	“	Cryo-cooler evaporator temperature
T_CPHP	“	Cryo-cooler sorption pump temperature
T_CEHS	“	Cryo-cooler evaporator heat switch temperature

T_CPHS	“	Cryo-cooler sorption pump heat switch temperature
T_CSHT	“	Cryo-cooler thermal shunt temperature
T_BSMM	“	BSM mechanism temperature
T_BSMS	“	BSM/SOB I/F temperature
PhCalBias	“	Bias current of photometer calibrator
PhCalVolt	“	Voltage across photometer calibrator
SCal4Bias	“	Bias current of spectrometer calibrator (4%)
SCal4Volt	“	Voltage across spectrometer calibrator (4%)
SCal2Bias	“	Bias current of spectrometer calibrator (2%)
SCal2Volt	“	Voltage across spectrometer calibrator (2%)
TCHeaterBias		TC heater bias

DRCU REQ-80.: The SCU shall include temperature measurement of each of its printed circuit board (except back plane) at location where hot spot or high power dissipation parts (i.e. DC/DC converter switching transistors) are identified.

DRCU REQ-81.: Temperature measurement shall be done using an AD590 probe in F02 package glued on the printed circuit board.

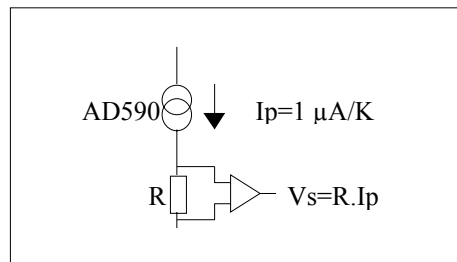


Figure 4.4-a Unit internal temperature monitoring

DRCU REQ-82.: The temperature measurement shall be compliant with the following table:

Temperature Range	-40°C to 88 °C
Temperature resolution	0.5°C

DRCU REQ-83.: The SCU shall report the following housekeeping parameters when requested by low-level commands:

Parameter Name	Word size (bits)	Comments
T_PL0	16	Photometer detector box temperature
T_SL0	“	Spectrometer detector box temperature
T_SOB	“	SPIRE Optical Bench temperature
T_SUB	“	Optical sub-bench temperature
T_BAF	“	FPU input baffle temperature
T_FTSM	“	SMEC mechanism temperature
T_FTSS	“	SMEC/SOB I/F temperature

Parameter Name	Word size (bits)	Comments
T_SCL4	“	Spectrometer calibrator 4% temperature
T_SCL2	“	Spectrometer calibrator 2% temperature
T_SCST	“	Spectrometer calibrator flange temperature
T_CEV	“	Cryo-cooler evaporator temperature
T_CPHP	“	Cryo-cooler sorption pump temperature
T_CEHS	“	Cryo-cooler evaporator heat switch temperature
T_CPHS	“	Cryo-cooler sorption pump heat switch temperature
T_CSHT	“	Cryo-cooler thermal shunt temperature
T_BSMM	“	BSM mechanism temperature
T_BSMS	“	BSM/SOB I/F temperature
PhCalBias	“	Bias current of photometer calibrator
PhCalVolt	“	Voltage across photometer calibrator
SCal4Bias	“	Bias current of spectrometer calibrator (4%)
SCal4Volt	“	Voltage across spectrometer calibrator (4%)
SCal2Bias	“	Bias current of spectrometer calibrator (2%)
SCal2Volt	“	Voltage across spectrometer calibrator (2%)
TsuTempRd	“	Temperature module temperature
CsuTempRd	“	Cal/Cool/HK module temperature
PsuTempRd	“	PSU internal temp.
ScuCHTp05	“	SCU +5V power supply voltage
ScuCHTp09	“	SCU +9V power supply voltage
ScuCHTn09	“	SCU -9V power supply voltage
DRelOnOff	3	Status of PSU remote command
ScuStatus	TBD	Status of SCU electronics

DRCU REQ-84 . : The analogue channels (for sub-systems supply voltage reporting) shall have the following characteristics:

Voltage channels number	3
Voltage range	≥ nominal voltage + 20 %
Voltage resolution	1 %

4.4.3. Performance Requirements

DRCU REQ-85.: The thermometry sub-system (main part) shall have the following channels according to AD20 except for cryo-cooler related temperature probes (text in blue) where RD05 is considered:

Acronym	Location	Sensor Type	Temperature Range	Resolution	Accuracy
T_PL0	Photometer detector box temperature	CX-1030	1 K -10 K	2 mK	2 mK
T_SL0	Spectrometer detector box temperature	CX-1030	1 K -10 K	2 mK	2 mK
T_SOB	SPIRE Optical Bench temperature	CX-1030	3 K - 300 K	10 mK	10 mK
T_SUB	Optical sub-bench temperature	CX-1030	3 K-100 K	25 mK	25 mK
T_BAF	FPU input baffle temperature	CX-1030	3 K-100 K	10 mK	10 mK
T_FTSM	SMEC mechanism temperature	CX-1030	3 K - 20 K	10 mK	10 mK
T_FTSS	SMEC/SOB I/F temperature	CX-1030	3 K - 100 K	25 mK	50 mK
T_SCL4	Spectrometer calibrator 4% temperature	CX-1030	10 K - 80 K	5 mK	5 mK
T_SCL2	Spectrometer calibrator 2% temperature	CX-1030	10 K - 80 K	5 mK	5 mK
T_SCST	Spectrometer calibrator flange temperature	CX-1030	1K - 50 K	10 mK	10 mK
T_CEV	Cryo-cooler evaporator temperature	CX-1030	0.25 K - 10 K	0.1 mK	5 mK
T_CPHP	Cryo-cooler sorption pump temperature	CX-1030	1.5 K - 50 K	0.5 K	1 K
T_CEHS	Cryo-cooler evaporator heat switch temperature	CX-1030	1.5 K - 25 K	0.5 K	1 K
T_CPHS	Cryo-cooler sorption pump heat switch temperature	CX-1030	1.5 K - 25 K	0.5 K	1 K
T_CSHT	Cryo-cooler thermal shunt temperature	CX-1030	1.5 K 10 K	0.1 K	0.1 K
T_BSMM	BSM mechanism temperature	CX-1030	3 K - 20 K	10 mK	10 mK
T_BSMS	BSM/SOB I/F temperature	CX-1030	3K - 80 K	5 mK	5 mK

Table 4.4-b Detailed main thermometry channel list

Note : Resolution is applicable to the lower end of the nominal temperature range.

DRCU REQ-86.: The thermometry sub-system (redundant part) shall have the following channels according to AD20 except for cryo-cooler related temperature probes (text in blue) where RD05 is considered:

Acronym	Location	Sensor Type	Temperature Range	Resolution	Accuracy
T_PL0	Photometer detector box temperature	CX-1030	1 K -10 K	2 mK	2 mK
T_SL0	Spectrometer detector box temperature	CX-1030	1 K -10 K	2 mK	2 mK
T_SOB	SPIRE Optical Bench temperature	CX-1030	3 K - 300 K	10 mK	10 mK
T_SUB	Optical sub-bench temperature	CX-1030	3 K-100 K	25 mK	25 mK
T_BAF	FPU input baffle temperature	CX-1030	3 K-100 K	10 mK	10 mK
T_FTSM	SMEC mechanism temperature	CX-1030	3 K - 20 K	10 mK	10 mK
T_FTSS	SMEC/SOB I/F temperature	CX-1030	3 K - 100 K	25 mK	50 mK
T_SCL4	Spectrometer calibrator 4% temperature	CX-1030	10 K - 80 K	5 mK	5 mK
T_SCL2	Spectrometer calibrator 2% temperature	CX-1030	10 K - 80 K	5 mK	5 mK
T_SCST	Spectrometer calibrator flange temperature	CX-1030	1K - 50 K	10 mK	10 mK
T_CEV	Cryo-cooler evaporator temperature	CX-1030	0.25 K - 10 K	0.1 mK	5 mK
T_CPHP	Cryo-cooler sorption pump temperature	CX-1030	1.5 K - 50 K	0.5 K	1 K
T_CEHS	Cryo-cooler evaporator heat switch temperature	CX-1030	1.5 K - 25 K	0.5 K	1 K

T_CPHS	Cryo-cooler sorption pump heat switch temperature	CX-1030	1.5 K - 25 K	0.5 K	1 K
T_CSHT	Cryo-cooler thermal shunt temperature	CX-1030	1.5 K 10 K	0.1 K	NA
T_BSMM	BSM mechanism temperature	CX-1030	3 K - 20 K	10 mK	10 mK
T_BSMS	BSM/SOB I/F temperature	CX-1030	3K - 80 K	5 mK	5 mK

Table 4.4-c Detailed redundant thermometry channel list

Note: Resolution is applicable to the lower end of the nominal temperature range.

DRCU REQ-87.: In order to avoid probe self-heating the biases shall not exceed the values given by the following table:

Probe Type	Max. bias
Sub-K probes	40 nA
Standard probes	10 mV

Table 4.4-d Probe maximum bias level

DRCU REQ-88.: The SCU shall provide PCAL bias current according to the following performances:

Heater Bias Current Range	0 to 7 mA	in 4096 steps	AD22-7.2.1 &AD22-7.2.2
Maximum dissipated power limitation	10 mW		AD22-7.2.1
Heater Resistance Range	200 to 500 Ω	$\leq 100 \Omega$ for lead resistance	AD22-7.2
Stability / Repeatability	0.5 % or 5 μ A	Whichever is greater	AD22-7.2.5
Maximum drive voltage	3.9 V	Worst case	AD22-7.2.3
Bias waveform	square	Spec. for DPU	
Waveform frequency	0 to 5 Hz	Spec. for DPU	
Waveform resolution	100 ms	Spec. for DPU	
Interface Type	2x2-wire	None connected to ground	

DRCU REQ-89.: The SCU shall provide SCAL (4% and 2%) biases according to the following performances:

Heater Bias Current Range	0 to 5.5 mA	in 4096 steps	AD23-6.3
Maximum dissipated power limitation	15 mW		AD23-6.2
Heater Resistance Range	500 Ω	$\leq 100 \Omega$ for lead resistance	AD23-6.1
Stability / Repeatability	0.5 % or 5 μ A	Whichever is greater	AD23-6.5
Maximum drive voltage	3.1 V	Worst case	AD23-6.4
Bias waveform	DC		
Electrical Interface Type	2x2-wire	None connected to ground	

DRCU REQ-90.: The above stability and repeatability shall be achieved for operating time of 1 hour (typical observation duration) and assuming a S/C temperature drift of 3K/hour.

DRCU REQ-91.: The calibrator current shall be limited by hardware to $110 \pm 2 \%$ of specified maximum.

DRCU REQ-92.: The SCU shall provide cryo-cooler heater biases according to the following performances:

Type	Number	Heater Resistance	Lead Resistance	Power	Absolute max. voltage	Interface type
Heat Switch ¹	2	402 Ω	$\leq 100 \Omega$	0 / 1 mW	15 V	2x2-wire
Sorption Pump ¹	1	402 Ω	$\leq 100 \Omega$	0 to 500 mW	15 V	2x2-wire
TC heater ²	1	6 k Ω	$\leq 1k\Omega$	300 mV / 50 μ A		

¹: from AD21

²: from BDA-DRCU-17 of AD20

4.4.4. Interface Requirement

4.4.4.1. Electrical Interfaces

DRCU REQ-93 . : Both data and command interfaces shall be compliant with AD11.

4.4.4.2. Mechanical Interfaces

DRCU REQ-94 . : The SCU electronics shall be implemented into 5 DRCU boards (220 x 237 mm PCB) as described §3.1.2. Total allocated volume is then 237 x 220 x 137.5 (dimensions in millimetres)

DRCU REQ-95 . : The geometry of the back plane of the DCU shall be compliant with the dimensions given by the figure 4.4-b.

4.4.4.3. Power supplies

DRCU REQ-96 . : The SCU electronics shall operate with the following set of supplies with associated maximum average current:

Supply name	Supply voltage	Max. current	Min. current
SCU_ANA_P9	+9 ± 0.1V	0.26 A	Max. current -20% “ “
SCU_ANA_N9	-9 ± 0.1V	0.24 A	
SCU_DIG_P5	+ 5.2 ± 0.1V	0.24 A	
Allocated average power	5.7 W		

DRCU REQ-97 . : When powered inrush current shall be limited by the SCU according to the following limits:

TDB - from PSU specification document.

DRCU REQ-98 . : The SCU shall provide proper supply line filtering to restrict the conducted emissivity as specified bellow:

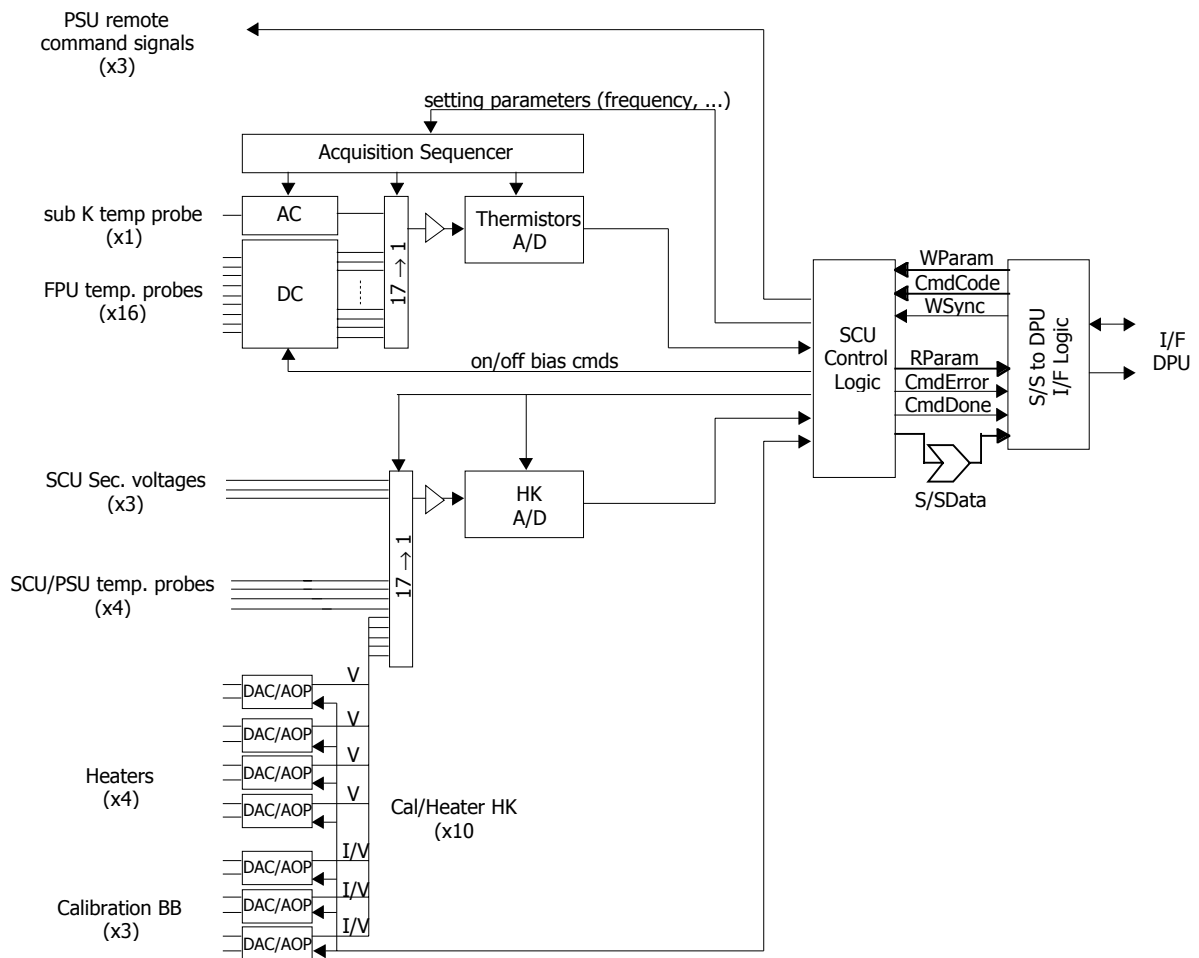
TDB - from PSU specification document.

Mechanical drawing to be inserted after correction

Figure 4.4-b SCU back plane geometry

4.4.5. SCU block diagram

A typical functional diagram is shown for information by the following figure. The SCU is designed around an acquisition sequencer configured according to low-level commands.



4.5. PSU (DC/DC converters unit)

4.5.1.1. Secondary power lines

DRCU REQ-99.: Each DC/DC converter (1 main + 1 redundant) shall have the following outputs lines:

Sub-system	Supply Name	Voltage	Current (Average)	Current (Peak)
MCU	MCU_DIG_P5	5.2 ± 0.2V	1.8 A	2.6 A
	MCU_P15	+15 ± 0.5V	0.22 A	0.47 A
	MCU_N15	-15 ± 0.5V	0.18 A	0.42 A
DCU	DCU_LIA_P_P9	+12 -0.5/+0 V	1.90	-
	DCU_LIA_P_N9	-12 -0/+0.5 V	1.90	-
	DCU_LIA_P_P5	+5.2 ±0.1	0.65	-
	DCU_LIA_S_P9	+12 -0.5/+0 V	0.64	-
	DCU_LIA_S_N9	-12 -0/+0.5 V	0.64	-
	DCU_LIA_S_P5	+5.2 ±0.1V	0.22	-
	DCU_DAQ_P5	+5.2 ±0.1V	0.53	-
	DCU_DAQ_P9	+9 ± 0.1 V	0.10	-
	DCU_DAQ_N9	-9 ± 0.1 V	0.10	-
SCU	SCU_DIG_P5	+ 5.2 ± 0.1V	0.24	-
	SCU_ANA_P9	+9 ± 0.1V	0.26	-
	SCU_ANA_N9	-9 ± 0.1V	0.24	-

4.5.1.2. Primary power line

DRCU REQ-100.: Each PSU DC/DC converter shall have an independent electrical interface with the satellite power bus.

DRCU REQ-101.: The interface shall be compliant with the requirement listed in AD3 §5.9.5.4 and with the signal characteristics AD3 (§5.9.5.2 and 5.9.5.3) as summarised below:

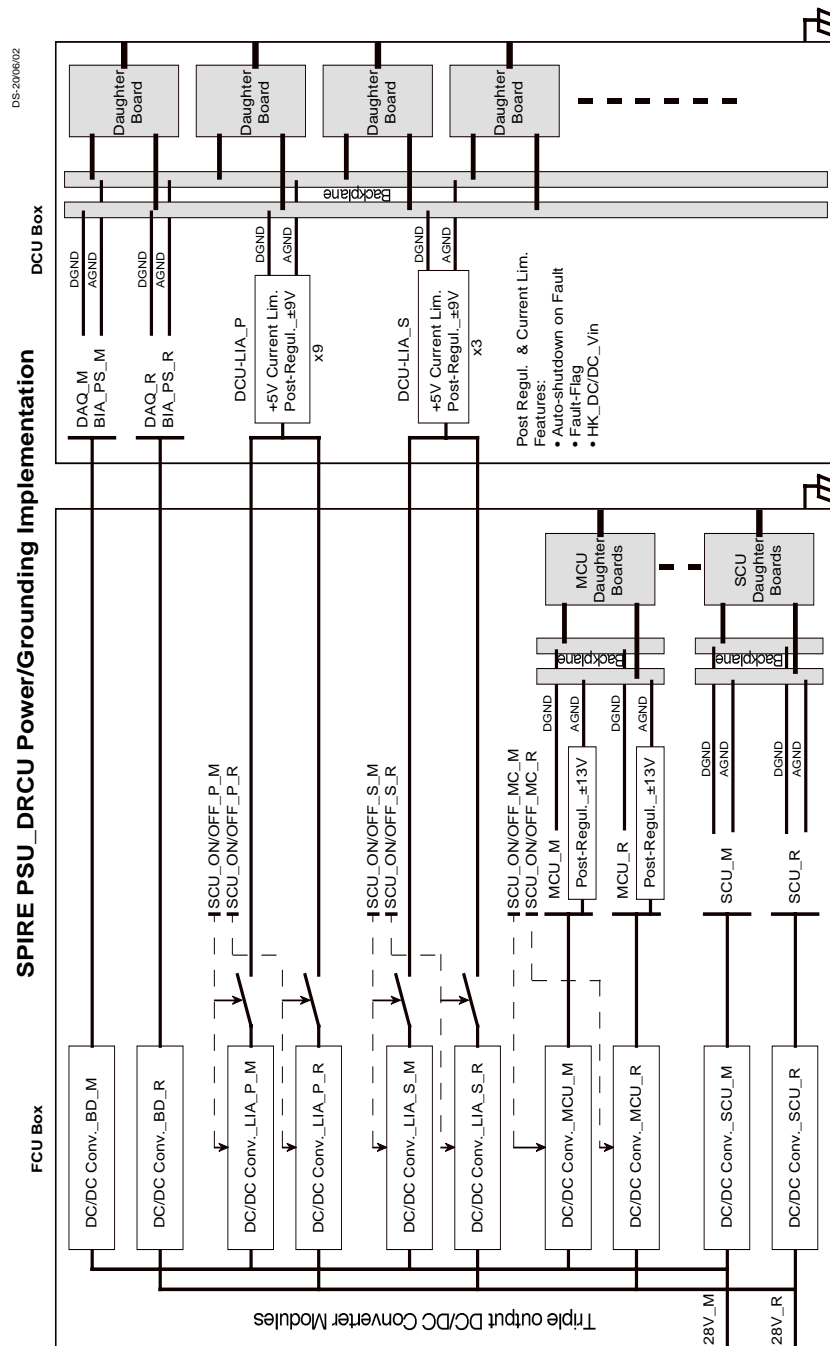
Nominal voltage	28 V
DC/DC operating range	26-29 V
Input voltage range	0 to 35 V

DRCU REQ-102.: Switching between prime and redundant electronics shall be achieved autonomously simply by switching between nominal and redundant PSU. That is no low-level command is required.

4.6. DRCU electrical configuration

4.6.1. DRCU Power Distribution Scheme

The following figure shows the DRCU power distribution scheme as required by the various sub-systems.



4.6.2. Grounding and isolation

DRCU REQ-103 . : One secondary power shall not be distributed to more than one unit.

DRCU REQ-104 . : The spacecraft structure shall not be used as return path for power and signals.

DRCU REQ-105 . : Each secondary power return shall be connected to a single ground.

DRCU REQ-106 . : When a single converter supplies via multiple windings one or more equipments the secondary power network shall be connected to a single location within the supplied unit(s).

DRCU REQ-107 . : When the secondary power return is disconnected from the ground, the isolation between the secondary power return and the chassis shall be at least $1M\Omega$ shunted by no more than 50 pF.

4.6.3. Bonding

DRCU REQ-108 . : Bonding interfaces shall be designed to carry fault currents of 1.5 times the maximum S/S protection device rating for an infinite time.

DRCU REQ-109 . : Bonding interfaces shall be designed to be corrosion resistant. Use of bonding strap shall be as much as possible avoided: conductive mounting surface is the preferred method.

DRCU REQ-110 . : If the mounting feet are used to bond equipment to the S/C structure the contact area (each foot) shall not be less than $1cm^2$ and the DC resistance between the equipment chassis and the S/C shall not exceed $10m\Omega$.

DRCU REQ-111 . : Flat, clean and conductive surfaces shall be used for bonding. The permitted surfaces are:

- Clean metal
- Gold plate
- Alodine 1200 or similar.

DRCU REQ-112 . : The DC resistance between any two adjacent faces of the equipment chassis shall not exceed 2.5 m Ω .

DRCU REQ-113 . : Each unit shall provide a bonding lug. The DC resistance between the stud (M4x6) and the inner side of the mounting feet shall not exceed 2.5 m Ω .

DRCU REQ-114.: The DC resistance between the secondary power reference and the bonding lug shall be less than 5 m Ω . The secondary reference shall be connected to the equipment chassis via a low inductance strap (max. length: 3 cm).

4.7. Modes of Operation

4.7.1. General

DRCU REQ-115 . : The Modes of Operation of the DRCU shall be:

- Off
- Initialisation
- Running

4.7.2. Off Mode

DRCU REQ-116 . : In this mode the DRCU shall be completely OFF. The DRCU do not receive power from either the Prime or Redundant Primary Power line.

4.7.3. Initialisation Mode

This mode is defined as intermediate between the Off Mode and the Running Mode. When in Initialisation Mode the S/W based functions are booting: S/W and H/W integrity are checked then S/W starts execution.

Note: this mode and its definition is restricted to the MCU. Other sub-units will switch directly to the Run Mode.

DRCU REQ-117 . : The DRCU sub-units shall enter this mode whenever a power-on occurs.

DRCU REQ-118 . : When all the activities corresponding to the Initialisation Mode have been successfully completed the DRCU sub-unit shall enter the Run Mode after reception of the proper low-level command.

DRCU REQ-119 . : In the case the Initialisation Mode cannot be executed entirely the DRCU sub-unit shall respond to a low-level command with an “initialisation failure” acknowledge.

DRCU REQ-120 . : The DRCU sub-unit shall enter this mode whenever a S/W crash occurs.

4.7.4. Run Mode

This mode is the nominal status of the DRCU.

DRCU REQ-121. : The DRCU has its full functionality when in this mode.

4.7.5. Relation to SPIRE Modes of Operation

SPIRE Mode of Operation	DRCU Mode of Operation	Note
OFF	OFF	
ON	OFF	
INIT	OFF	
REDY	RUN	
STBY	RUN	
OBSV	RUN	
COOL	RUN	
SAFE	OFF	TBC

According to RD1.

4.7.6. Transition between Modes of Operations

Here below is shown the transition diagram relevant to the mode of operation of the DRCU.

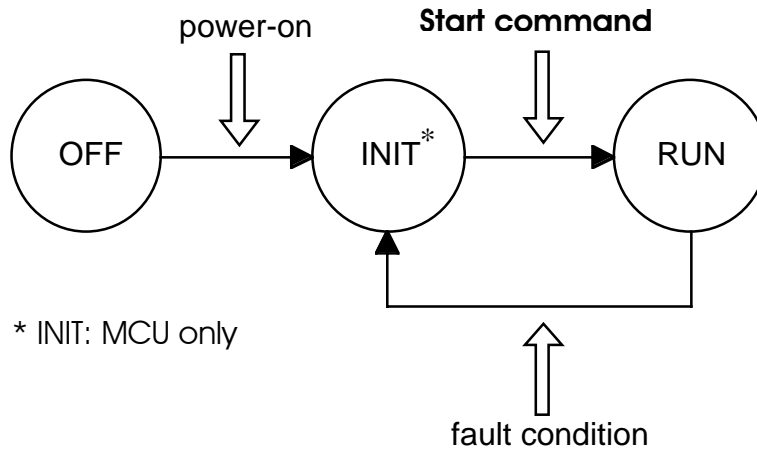


Figure 4.7-a DRCU Mode of Operation Transition Diagram

4.8. Cross reference of capabilities

Below is a summary of the DRCU capabilities with respect to the DRCU Modes of Operation.

Mode of Operation	DCU Functions	MCU Functions	SCU Functions
OFF	-	-	-
INIT	DCU-FUNC-01 to -10	MCU-FUNC-10 to -14	SCU-FUNC-01 to -13
RUN	DCU-FUNC-01 to -10	MCU-FUNC-01 to -14	SCU-FUNC-01 to -13

4.9. Failure detection isolation and recovery

4.9.1. Failure Detection

DRCU REQ-122 : The DRCU shall provide capabilities to detect internal failures.

4.9.2. Failure Isolation

From an electrical point of view the DRCU shall be designed in such a way to match the following requirements:

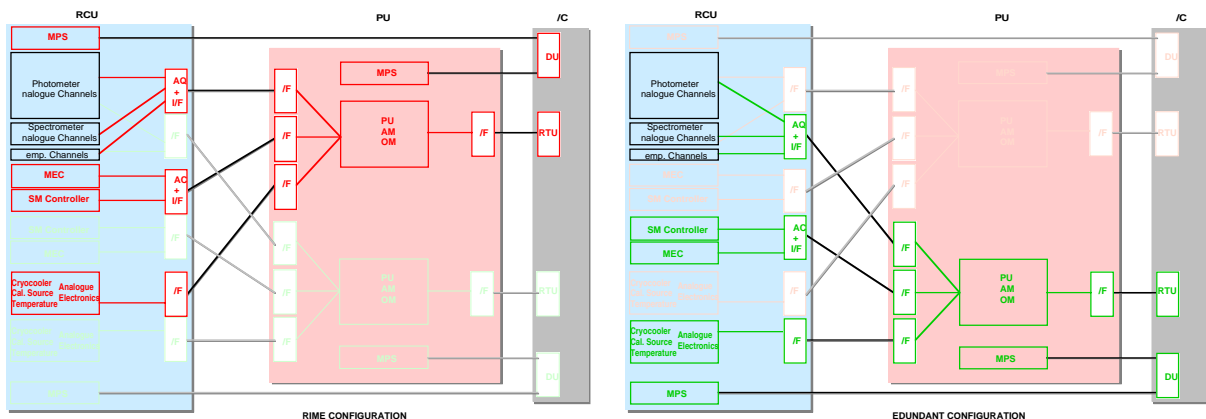
DRCU REQ-123 : Any failure within the DRCU shall not induce any failure to other units.

DRCU REQ-124 : Any failure within the DRCU shall not provoke incorrect execution of operations by other units up-stream the DRCU (e.g. issuing of wrong parameters).

DRCU REQ-125 : Any first failure of one cold redundant part of the DRCU shall not induce any failure to the other cold redundant part of the unit.

4.9.3. Redundancy

The redundancy concept is depicted by the followings figures:

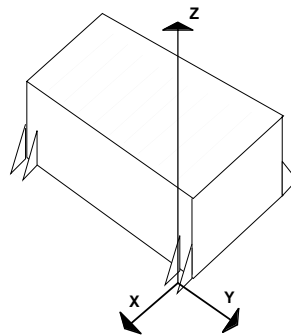


5. DRCU Interfaces

5.1. *Mechanical Interface*

DRCU has mechanical interface only with SVM of the S/C. This interface shall be described in the relevant “External Interface Control Drawing” document.

5.1.1. **Coordinate system**

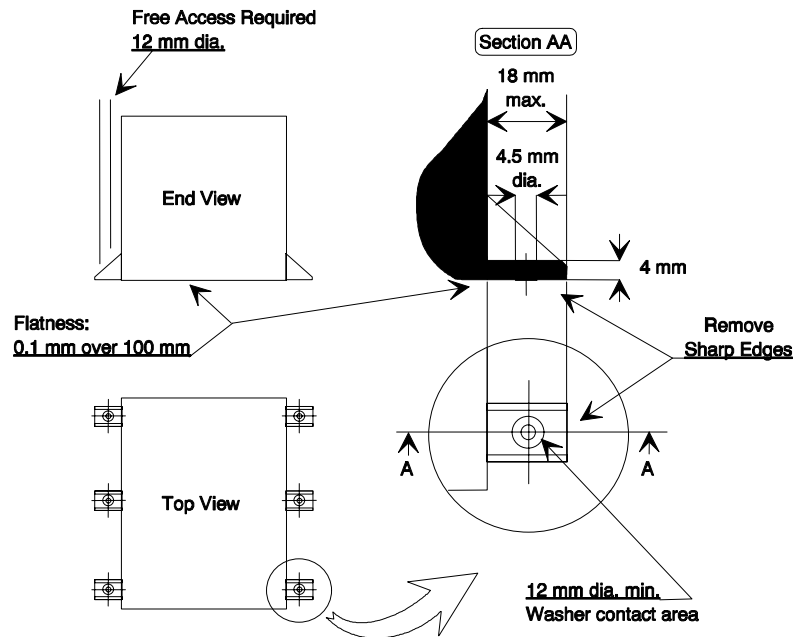


5.1.2. **Functional requirements**

Attachment points provide controlled contact between the unit and the structure for the purpose of mechanical, thermal control and electrical bonding of the unit.

5.1.3. **Design requirements**

[DRCU REQ-126.](#) : The attachment point shall be designed according to the following figure:



DRCU REQ-127.: If more than 4 attachment points are required the Project shall approve.

DRCU REQ-128.: For highly dissipative units the number and the location of attachment point shall be based on thermal consideration.

DRCU REQ-129.: One of the fixation holes shall be identified as the Reference Hole. The positive X-axis of the S/C shall be parallel and in the same orientation as far as reasonable.

DRCU REQ-130.: The distance between two adjacent attachment points shall be between 30 and 300 mm.

5.2. Thermal Interfaces

DRCU has thermal interface only with the S/C: the heat due to the unit power dissipation is exclusively evacuated by conduction to the payload structure through the box feet.

DRCU-REQ-131.: The unit power dissipation shall be limited by the value given in the AD4 §5.9.3.

Note: This unit power dissipation corresponds to the DRCU sub-unit dissipation summed with the PSU DC/DC converter loss.

5.3. Electrical interfaces

5.3.1. Interface with S/C

The DRCU interfaces with S/C only by means of a primary power interface including a '+28 V / return' couple and PSU synchronisation clock. This interface is doubled, each set of lines being connected to one of the two DRCU PSU (1 main + 1 redundant).

5.3.2. Interface with DPU

The DRCU interfaces with the DPU by means of 3 high-speed data interfaces and 3 low-speed command lines for direct data/command transfer between the DPU and the 3 DRCU sub-units.

The sub-units will transfer scientific raw data and housekeeping parameters via the high-speed data interface at a unique (predefined by a low level command) rate.

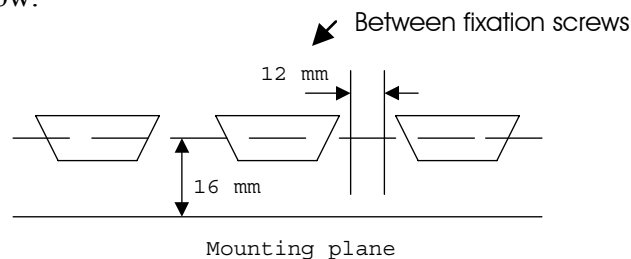
5.3.3. Interfaces with FPU

All the DRCU sub-units have interfaces with the FPU. Interfaces between the FPU and the DRCU are exclusively analogue and are typically: sensors biases, actuator power, and sensors signals. Each analogue interface is specific of the considered sub-system: its description is given in the respective "Subsystem Specification" documents.

5.3.4. Requirements

DRCU-REQ-132. : External connectors shall be DxMA type with crimp able pins. All other connecting type shall be considered carefully to prevent soldering defect assuming vibration environment.

DRCU REQ-133. : The minimum distance between shall be compliant with AD03 §5.10.1.3 has shown bellow.



DRCU REQ-134.: The housing of connectors shall be electrically connected to the unit structure.

DRCU REQ-135.: All connectors supplying power shall have socket contacts.

DRCU REQ-136.: Savers shall protect flight quality connectors.

DRCU REQ-137.: Connectors shall be mechanically connected to prevent inadvertent disconnection.

DRCU REQ-138.: Separate connectors shall be used for each of the redundant system or S/S.

DRCU REQ-139.: If different EMC class are allocated to the same connector, they shall be physically separated as much as possible within the connector.

5.3.4.1. Definition of EMC class

Class	Signal Type
1	Primary/Secondary Power
2	Digitals Signals / High level analogue signals
3	Low level sensitive analogue signals
4	RF signals

5.3.4.2. Connectors Identification

DRCU-REQ-140.: The identifier of the connectors on the box shall be as shown bellow according to AD3 (§5.1.3) and the corresponding label shall be located closely adjacent to the appropriate connector.

- HSDCU_Jxx for the DCU box connectors
- HSFCU_Jxx for the FCU box connectors

6. EMC Requirements

DRCU REQ-141.: The DRCU shall cope with the EMC requirements stated in AD3.

7. Environmental Requirements

DRCU REQ-142.: The unit shall operate with the temperatures illustrated here below:

Operating		Min. Switch-On	Non-Operating	
Min.	Max.		Min.	Max.
-15° C	+45° C	-30° C	-35° C	+60° C

DRCU REQ-143.: The DRCU shall cope with the environmental requirements stated in AD3.

DRCU REQ-144.: The DRCU shall cope with the radiation environment described in AD12.

8. Reliability

DRCU REQ-145.: The reliability of the DRCU shall be equal to or greater than **TBD** for a period of 4.25 years.

DRCU REQ-146.: The method for reliability calculations shall comply with AD9.

9. Design and Construction

DRCU REQ-147.: All processes, materials and parts shall comply with AD6 and AD7 applicable documents.

DRCU REQ-148.: Electronics design shall comply with AD8.

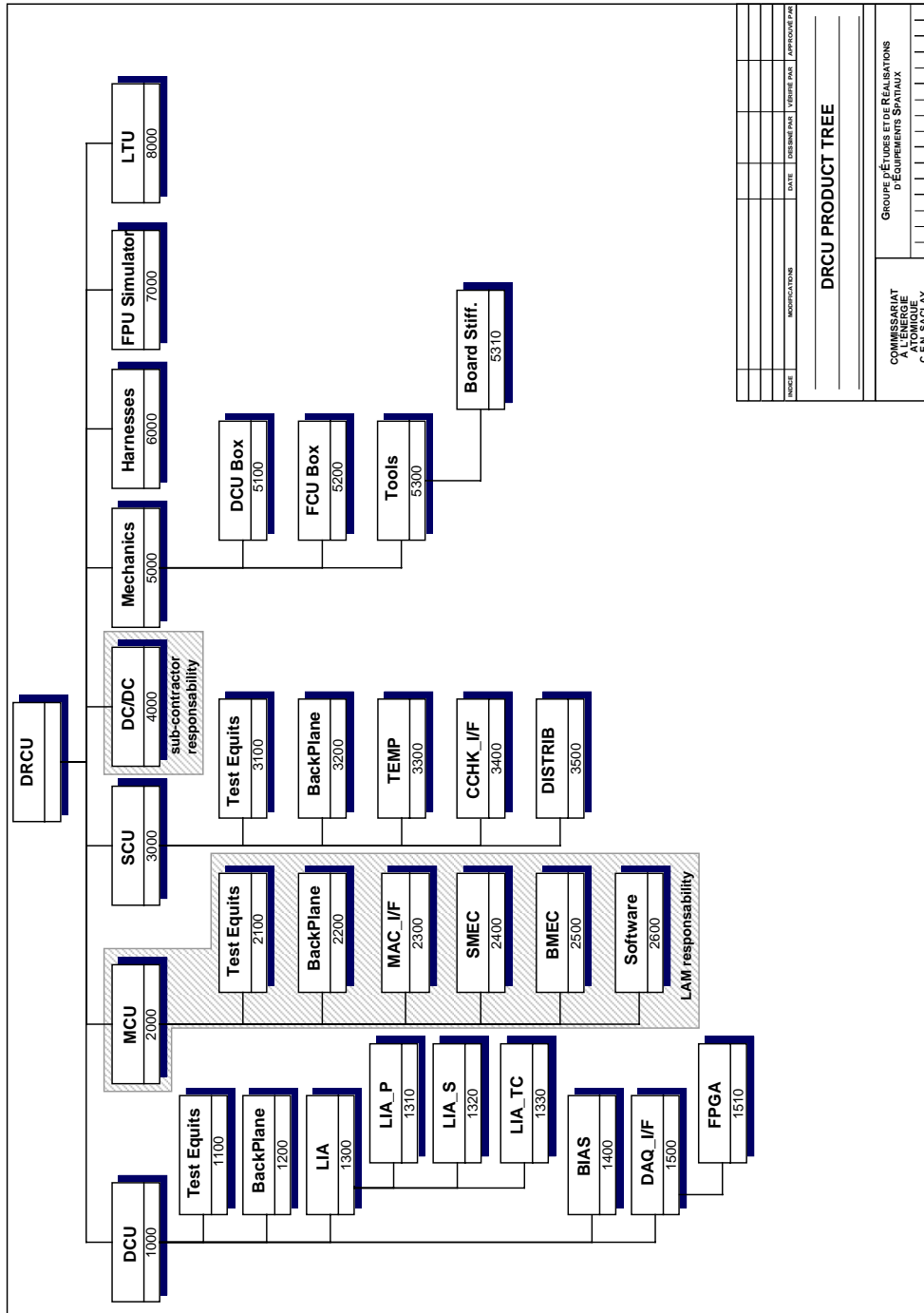
10. Identification and Labelling

DRCU REQ-149.: The name and the model shall be indicated on each box. The label shall be easily readable even when harnesses are connected on the unit. In addition the enclosures shall indicate in an unambiguous way the name of each module.

Additionally a module shall be serialized and the serial number shall be visible even when the module is plugged into the enclosure.

11. Product Tree

[DRCU REQ-150](#) : All the elementary components of the DRCU shall be identified in compliance with the DRCU Product Tree as shown by figure 10-a and describe in AD17.



12. Model characteristics and definition

According to AD19 the various model characteristics are listed bellow:

DRCU	Box(es)	DCU	MCU	SCU	DC/DC	Part Grade	Perform.
QM1	FEq -	FEq(*) NR	FEq NR	FEq NR	FEq NR	FEq	NNP
QM2	FEq -	FEq RE	FEq RE	FEq RE	FEq RE	FEq	NNP
FM	F -	F RE	F RE	F RE	F	F	NoP
FS	F ?	F ?	F ?	F ?	F ?	F	NoP

- Ext : External (Power Supply only)
 Pro : Prototype
 FEq : Flight Equivalent (any grade but nominal size, consumption and performances)
 F : Flight
 NR : Cold Redundancy Not implemented
 RE : Cold Redundancy implemented
 DeP : Degraded Performance acceptable
 NNP : Near Nominal Performance
 NoP : Nominal Performance
 (*) : The number of readout channels implemented shall at least correspond to the number of detectors of the instrument CQM (photometer and spectrometer).

Model	FCU										DCU				
	MCU					SCU				PSU					
	Box	MAC	SMEC	BSM	BP	CCHK_IF	TEMP	DISTRIB	BP		Box	LIA_S	LIA_P	DAQ_IF	BP
QM1	FEq	1	1	1/2*	1	1	1/2	1	1	PBench	Pro	1	1	1	1
QM2	FEq	2	2	1	1	2	1	1	1	2	FEq	3	9	2	1
PFM	F	2	2	1	1	2	1	1	1	2	F	3	9	2	1
FS	-	?	?	?	?	1	1	1	1	1	-	1	2	1	1

* Board partially equipped

13. Precedence

DRCU REQ-151 : The requirements concerning the Failure Detection and Failure Isolation capabilities shall have precedence on any other requirement.

14. Unit Requirement Verification

DRCU REQ-152.: The requirements of this specification shall be verified by inspection (I) or analysis (A) or test (T) or by a combination thereof as shown by the following matrix.

Requirement	Analysis	Test	Inspection
DRCU REQ-01			X
DRCU REQ-02		X	
DRCU REQ-03		X	
DRCU REQ-07			X
DRCU REQ-08			X
DRCU REQ-10		X	
DRCU REQ-11		X	
DRCU REQ-15			X
DRCU REQ-16			X
DRCU REQ-17			X
DRCU REQ-18		X	
DRCU REQ-19		X	
DRCU REQ-20			X
DRCU REQ-21		X	
DRCU REQ-22		X	
DRCU REQ-23		X (electrical)	X (mechanical)
DRCU REQ-24		X (electrical)	X (mechanical)
DRCU REQ-25		X	
DRCU REQ-26		X	
DRCU REQ-27		X	
DRCU REQ-28			X
DRCU REQ-29		X	
DRCU REQ-30		X	
DRCU REQ-31		X	
DRCU REQ-32		X	
DRCU REQ-33		X	
DRCU REQ-34		X	
DRCU REQ-35		X	
DRCU REQ-36		X	
DRCU REQ-37		X	
DRCU REQ-38		X	
DRCU REQ-39		X	
DRCU REQ-40		X	
DRCU REQ-41			X
DRCU REQ-42			X
DRCU REQ-43		X	
DRCU REQ-44		X	
DRCU REQ-45		X	
DRCU REQ-46		X	

Requirement	Analysis	Test	Inspection
DRCU REQ-47		x	
DRCU REQ-48		x	
DRCU REQ-49		x	
DRCU REQ-50		x	
DRCU REQ-51			x
DRCU REQ-52		x	
DRCU REQ-53		x	
DRCU REQ-54		x	
DRCU REQ-55		x	
DRCU REQ-56		x	
DRCU REQ-57		x	
DRCU REQ-58			x
DRCU REQ-59			x
DRCU REQ-60		x	
DRCU REQ-61		x	
DRCU REQ-62		x	
DRCU REQ-63		x	
DRCU REQ-64			x
DRCU REQ-65		x	
DRCU REQ-66		x	
DRCU REQ-67		x	
DRCU REQ-68		x	
DRCU REQ-69		x	
DRCU REQ-70		x	
DRCU REQ-71		x	
DRCU REQ-72		x	
DRCU REQ-73		x	
DRCU REQ-74		x	
DRCU REQ-75		x	
DRCU REQ-76		x	
DRCU REQ-77		x	
DRCU REQ-78		x	
DRCU REQ-79		x	
DRCU REQ-80		x	
DRCU REQ-81		x	
DRCU REQ-82		x	
DRCU REQ-83		x	
DRCU REQ-84		x	
DRCU REQ-85	x	x	
DRCU REQ-86	x	x	
DRCU REQ-87		x	
DRCU REQ-88		x	
DRCU REQ-89		x	
DRCU REQ-90		x	
DRCU REQ-91		x	
DRCU REQ-92		x	

Requirement	Analysis	Test	Inspection
DRCU REQ-93		x	
DRCU REQ-94			x
DRCU REQ-95			x
DRCU REQ-96		x	
DRCU REQ-97		x	
DRCU REQ-98		x	
DRCU REQ-99		x	
DRCU REQ-100		x	
DRCU REQ-101		x	
DRCU REQ-102		x	
DRCU REQ-103	x		
DRCU REQ-104	x		
DRCU REQ-105	x		
DRCU REQ-106	x		
DRCU REQ-107		x	
DRCU REQ-108	x		
DRCU REQ-109	x		
DRCU REQ-110		x	x
DRCU REQ-111	x		
DRCU REQ-112		x	
DRCU REQ-113		x	
DRCU REQ-114		x	
DRCU REQ-115		x	
DRCU REQ-116		x	
DRCU REQ-117		x	
DRCU REQ-118		x	
DRCU REQ-119		x	
DRCU REQ-120		x	
DRCU REQ-121		x	
DRCU REQ-122	x (FMECA)		
DRCU REQ-123	x (FMECA)		
DRCU REQ-124	x (FMECA)		
DRCU REQ-125	x (FMECA)		
DRCU REQ-126			x
DRCU REQ-127	x		
DRCU REQ-128	x		
DRCU REQ-129			x
DRCU REQ-130			x
DRCU REQ-131		x	
DRCU REQ-132			x
DRCU REQ-133			x
DRCU REQ-134		x	
DRCU REQ-135			x
DRCU REQ-136			x
DRCU REQ-137			x
DRCU REQ-138			x

Requirement	Analysis	Test	Inspection
DRCU REQ-139			x
DRCU REQ-140			x
DRCU REQ-141		x	
DRCU REQ-142		x	
DRCU REQ-143		x	
DRCU REQ-144	x		
DRCU REQ-145	x (FMECA)		
DRCU REQ-146			x
DRCU REQ-147			x
DRCU REQ-148			x
DRCU REQ-149			x
DRCU REQ-150			x
DRCU REQ-151	x		

15. Traceability Matrix versus System Requirements

To be completed

Instrument Level Requirements	DRCU requirement