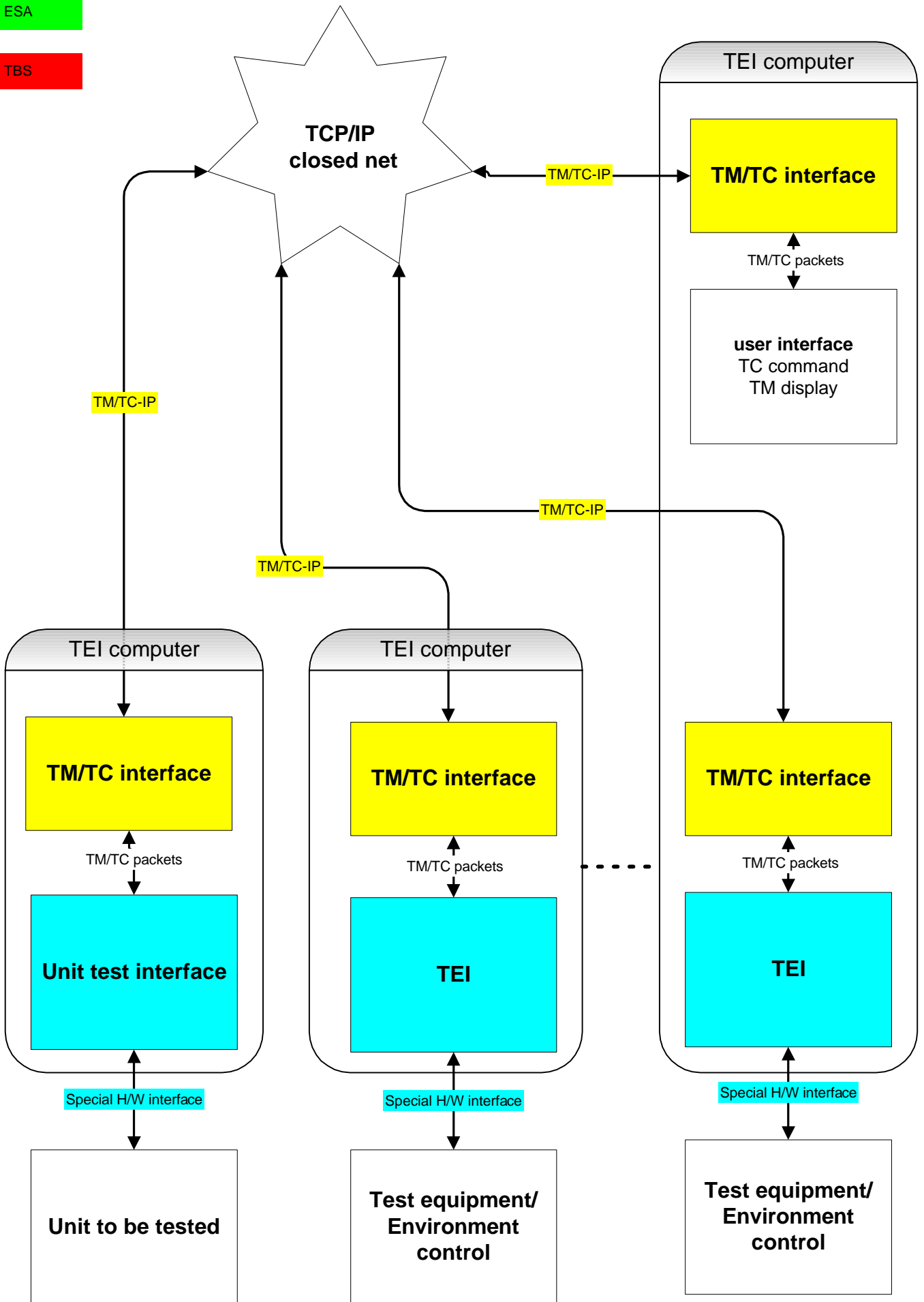




unit test HIFI



The common EGSE group V.S. FIRST GS development groups; what do we do where?

Peter Roelfsema

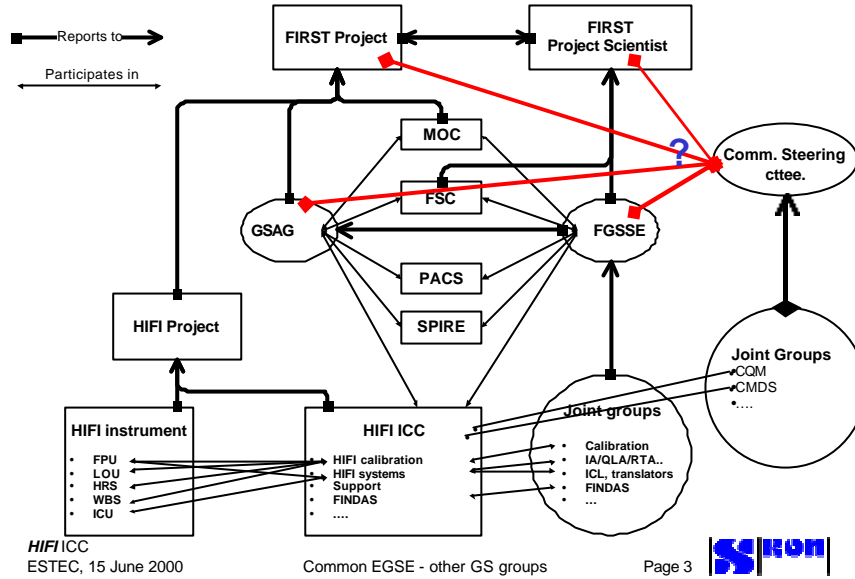


Overlap in EGSE and FGSSE work

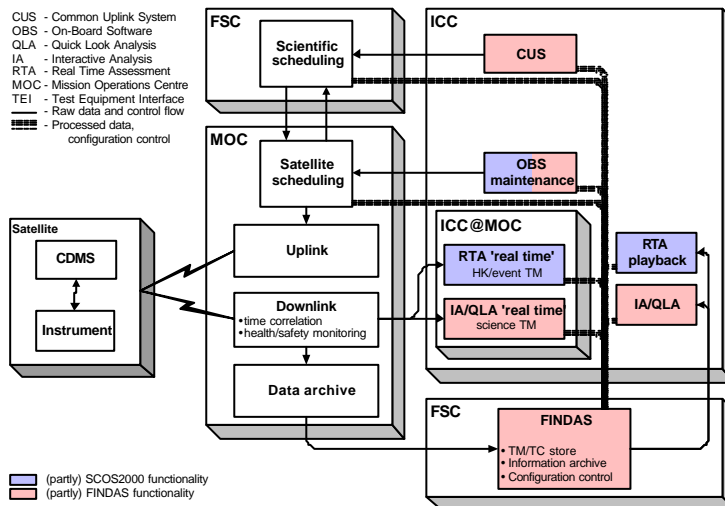
- GS setup;
 - identification of separate components
 - identification of interfaces
- GS design document
- Common Object Model - use cases and classes
 - proposal handling
 - mission planning
 - observation creation (i.e. CUS, AOT interface etc.)
 - framework for processing software (i.e. IA infrastructure)
 - configuration tracking
 -



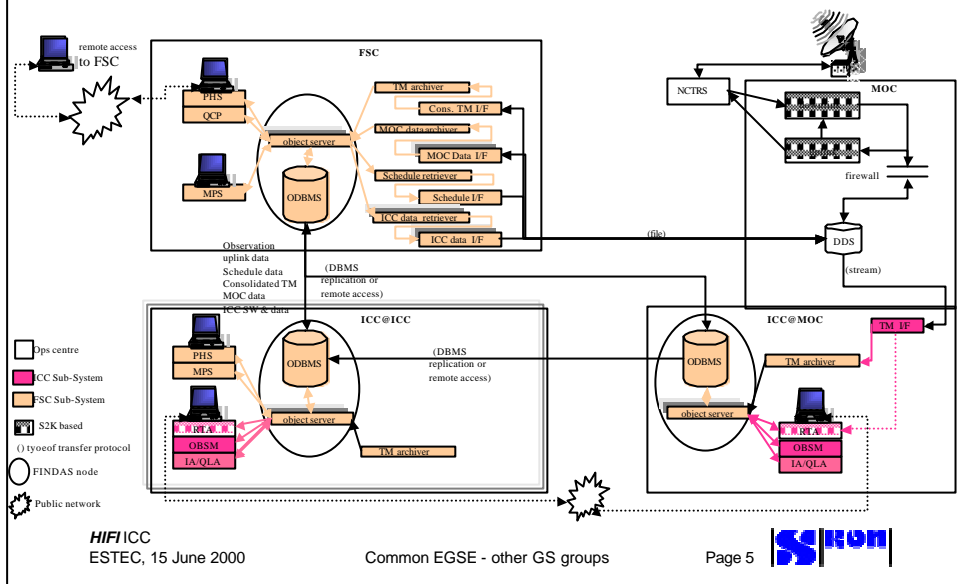
Groups involved in GS development



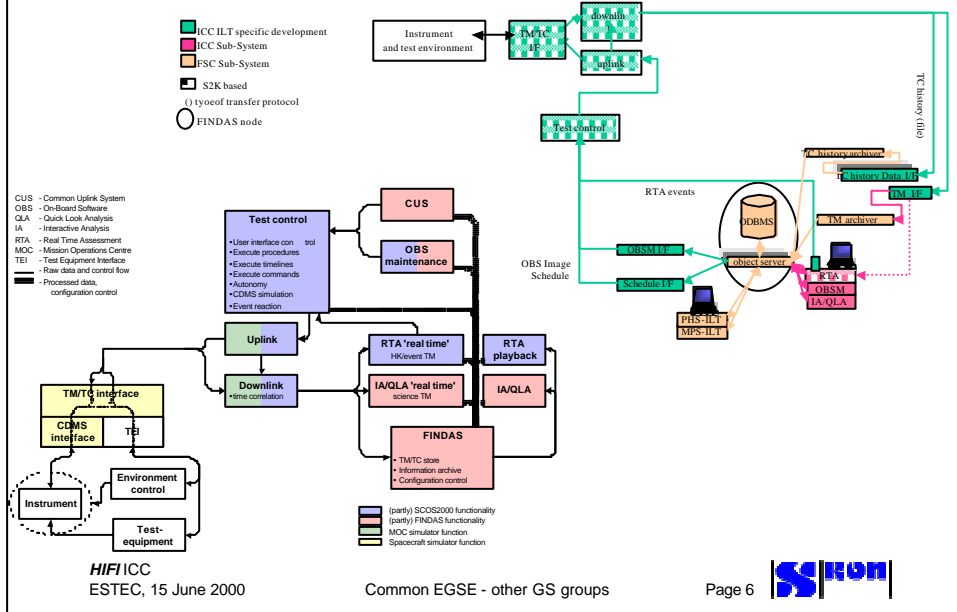
EGSE group GS concept



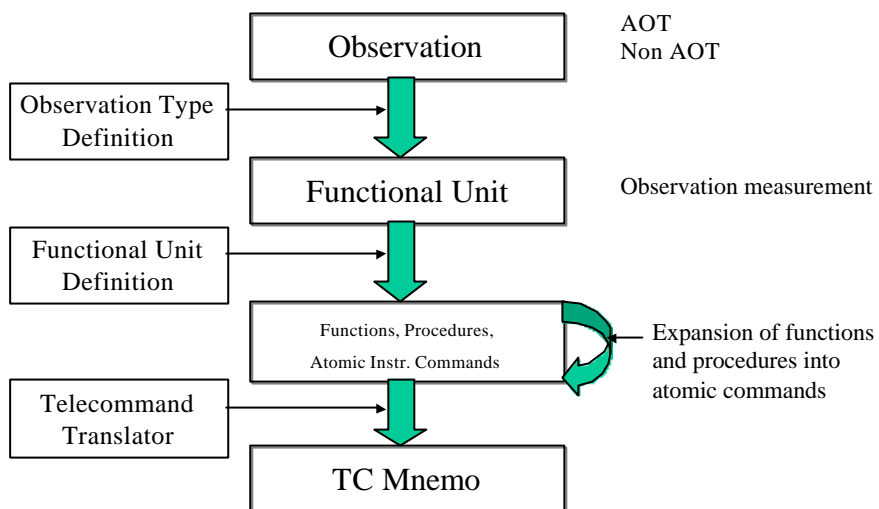
FGSSE group GS concept



ILT concept; EGSE v.s. FGSSE



FGSSE: CUS components

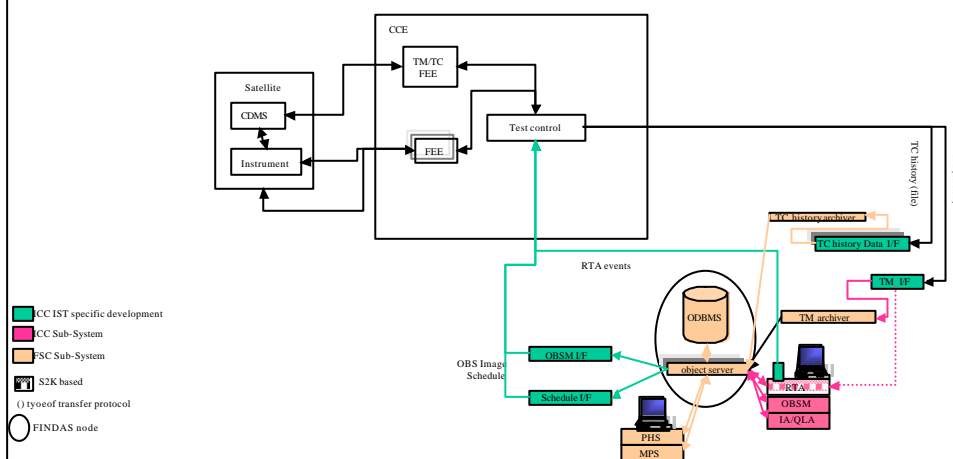


HIFI/ICC
ESTEC, 15 June 2000

Common EGSE - other GS groups

Page 7

FGSSE: IST system overall design

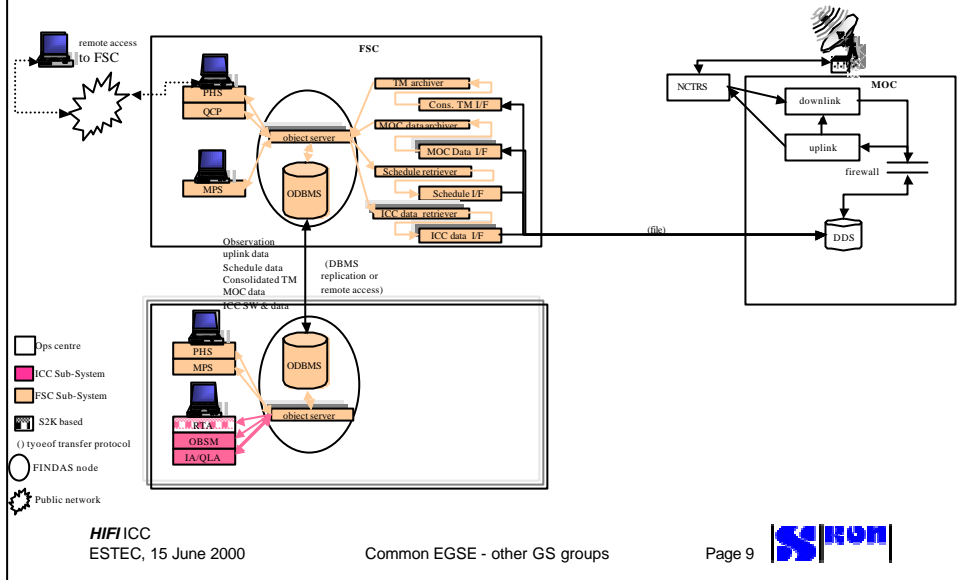


HIFI/ICC
ESTEC, 15 June 2000

Common EGSE - other GS groups

Page 8

FGSSE: routine operations concept



FGSSE: post operations concept

