


SPIRE-LAS-DWG-000082-1C

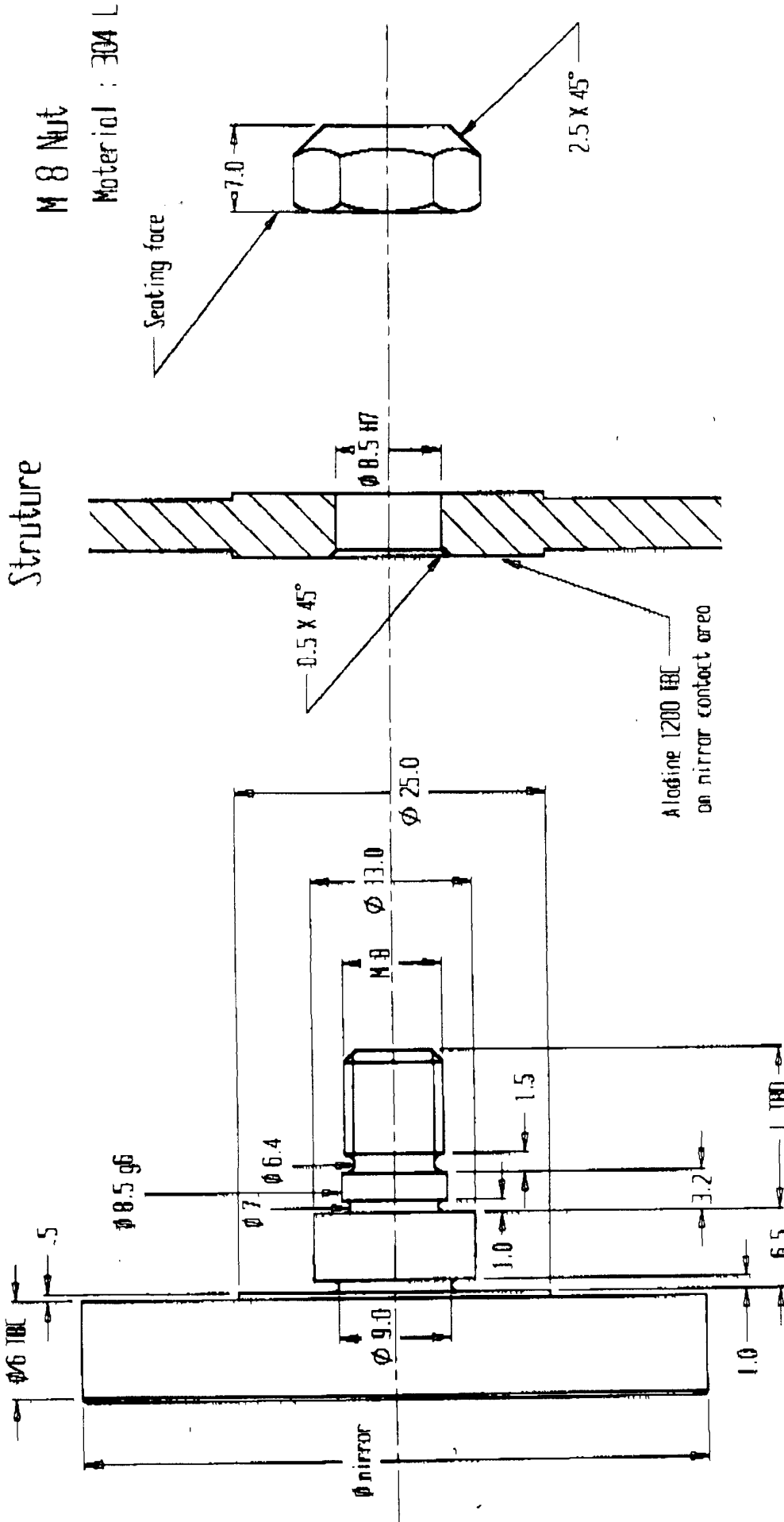
		CENTRE NATIONAL DE LA RECHERCHE SCIENTIFIQUE LABORATOIRE D'ASTRONOMIE SPATIALE BP 8 Traversée du Siphon - les 3 Lucs - 13378 MARSEILLE Cédex 12		Tél (33) 04 91 05 59 00 Fax (33) 04 91 05 69 59
F A X		Date : 18 November 1998 Réf. : LAS.ESS.SPI.FAX.05111601	Pages (total) : 2	
EXPEDITEUR (FROM) : Dominique Foulliquen		Tél : (33) 04 91 05 59 49		
DESTINATAIRE(S) (TO) : Wilf Oliver	Société(s) : M.S.S.L.	n° Fax : 44 1483 278312		
Copie(s) :	Société(s) :	n° Fax :		
OBJET : (SUBJECT)		FIRST SPIRE Mirrors interface		

Wilf,

You will find on the following page a drawing describing the interface between the mirrors and the structure. We think that all the mirrors could adopt the same interface. In LWS, such an interface was used for mirrors whose diameters ranged from 20 to 60 mm, plus the spherical mirror which was around 200 mm long.
 Feel free to ask any question.

Regards,

Dominique



L.A.S.
13 November 1998

Mirror material : Al 6061 T 651
Surface treatment : Alodine 1200 IBC